

TECHNICAL INSTRUCTIONS
FOR
SAFETY RECALL J0A/J0B/J0C
FRONT PASSENGER AIRBAG INFLATOR
CERTAIN 2008 – 2012 MY SCION xB

Updated 01-14-2021

Update 01-14-21

- **The scanning application process has been updated**

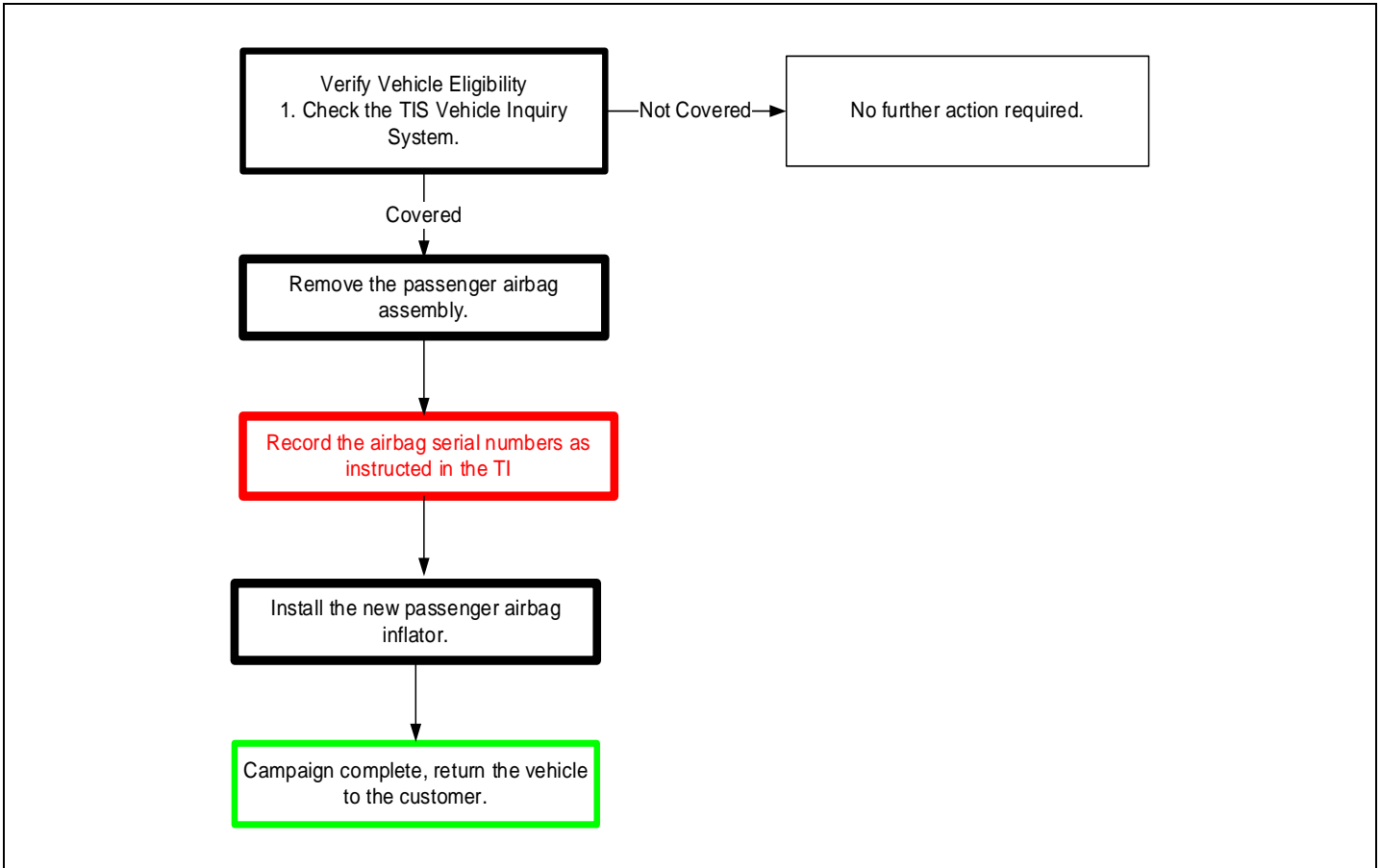
All dealership technicians performing this recall are required to successfully complete the most current version of the E-Learning course “Safety Recall and Service Campaign Essentials”. To ensure that all vehicles have the repair performed correctly; technicians performing this recall repair are required to have successfully completed E-Learning course SC18A (if you had previously completed E-Learning Course SC13B, you do not have to take SC18A), in addition to “Safety Recall and Service Campaign Essentials”, and currently hold at least one of the following certifications levels:

- Toyota Certified (Electrical)
- Toyota Expert (Any Specialty)
- Master
- Master Diagnostic Technicians

Always check which technicians can perform the recall remedy by logging on to <https://www.uotdealerreports.com>. It is the dealership’s responsibility to select technicians with the above certification level or greater to perform this repair. Carefully review your resources, the technician skill level, and ability before assigning technicians to this repair. It is important to consider technician days off and vacation schedules to ensure there are properly trained technicians available to perform this repair at all times.

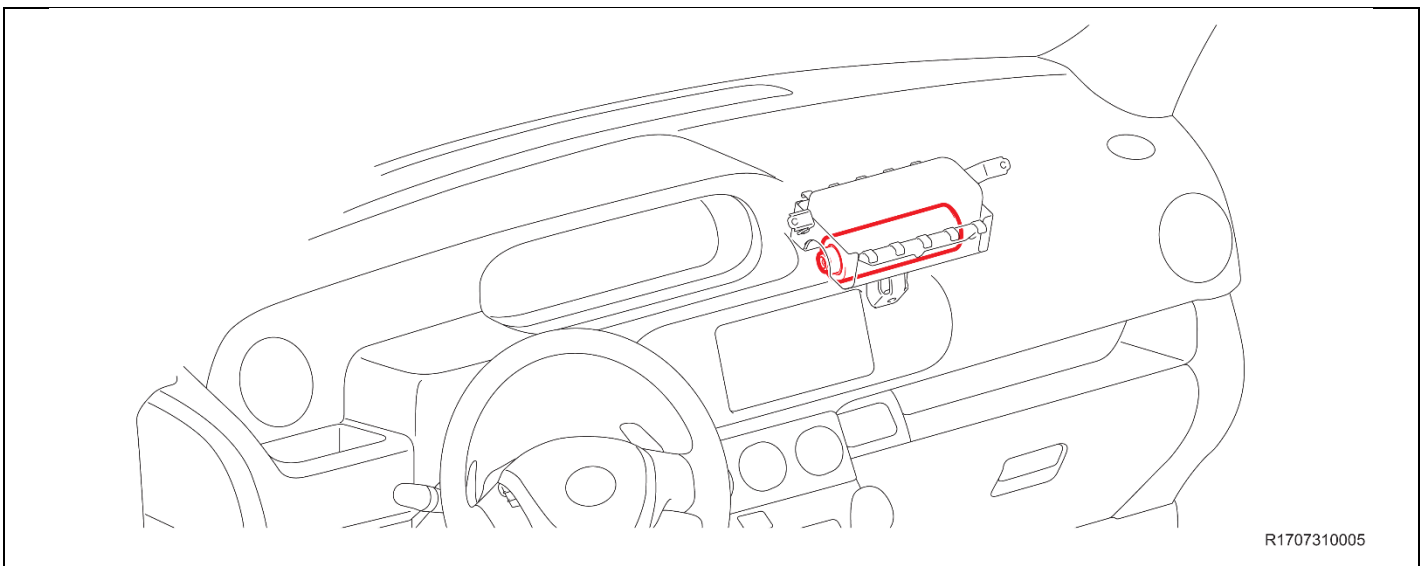
I. OPERATION FLOW CHART

The flow chart is for reference only. **DO NOT** use it in place of the full technical instructions. Follow **ALL** steps as outlined in the full technical instructions to confirm the campaign is completed correctly.



II. BACKGROUND

The subject vehicles are equipped with front passenger airbag inflators produced by Takata. According to Takata, the propellant in these inflators may degrade after prolonged exposure to high absolute humidity and fluctuating high temperatures. Degraded propellant can cause inflator rupture during airbag deployment. In the event of an inflator rupture, metal fragments could pass through the airbag cushion material, striking the vehicle occupants, and result in serious injury or death.



R1707310005

III. IDENTIFICATION OF AFFECTED VEHICLES

- Check the TIS Vehicle Inquiry System to confirm the VIN is involved in this Safety Recall, and that the campaign has not already been completed prior to dealer shipment or by another dealer.
- **TMS warranty will not reimburse dealers for repairs conducted on vehicles that are not affected or were completed by another dealer.**

IV. PREPARATION

A. PARTS

Part Number	Part Description	Quantity
04007-06812	Instrument Panel Airbag Inflator Kit*	1
* The kit above includes the following parts.		
Part Number	Part Description	Quantity
-	Inflator	1
-	Self-locking Nut	5
-	Position Determining Plate	1

Part Number	Part Description	Quantity
04006-66108	Clip Kit*	1
* The kit above includes the following parts.		
Part Number	Part Description	Quantity
-	Front Pillar Garnish Clip	2

Non-Desiccated Part Recovery

Dealers should discontinue the installation of the non-desiccated parts listed below for recall, customer pay repairs AND over-the-counter sales (if applicable).

Model	Model Year	Part Number	Part Description
Scion xB	2008-2015	73970-12140	AIR BAG ASSY, INSTR PNL PASS

Toyota requires all dealers to return any parts listed above that still remain in dealer inventory by utilizing the Hazmat Part Return Program available. Dealers will be issued a refund for all part returns. This part return program is outlined in *PANT Bulletin 2014-042*.

Important Note:

In order to return the inflator, packages must **NOT** be opened/tampered with.

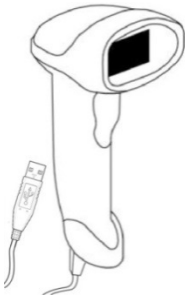
A. TOOLS & EQUIPMENT

- Standard hand tools
- Torque wrench
- Techstream
- Molding remover set

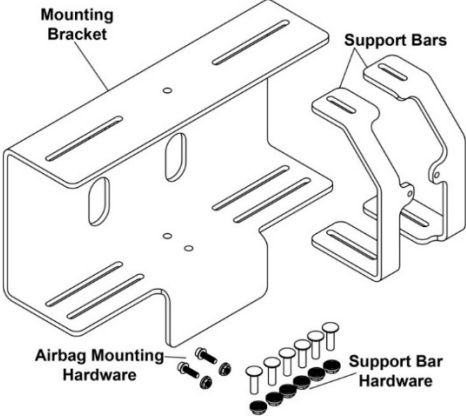
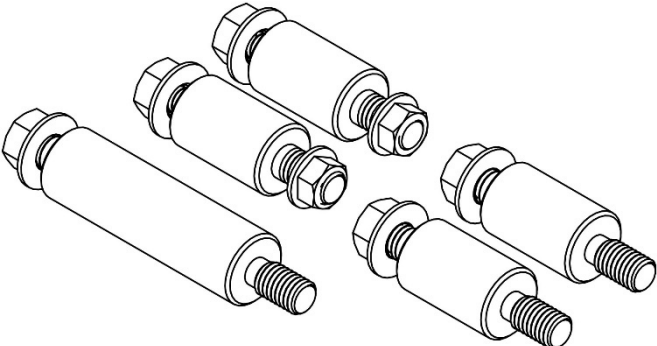
B. MATERIALS

- Protective Tape
- Marker Pen

G0P/G0R/H0A CAMPAIGN TOOLS – These tools were previously provided to the dealership for campaign F0J and will be used for this campaign. These tools are required when performing this repair.

Image	Name	Quantity
	Barcode Scanner (The scanner distributed for F0J can read bar and QR codes)	1

NOTE: This tool **CANNOT** be ordered through the parts or tools system. If additional tools are needed, they can be sourced locally.

Image	Name	Quantity
	Airbag Mounting Bracket & hardware (Provided to the dealership at the launch of SSC DLC)	1
	579943 Adaptor set*	1

*The adaptor set was sent to dealers prior to the start of this campaign.

SST –These are essential service tools that the dealership should have.

Part Number	Part Name	Quantity
09950-50013	Puller C Set *	1
* The set above includes the following tools.		
Part Number	Part Name	Quantity
09951-05010	Hanger 150	1
09952-05010	Slide Arm	2
09953-05020	Center Bolt 150	1
09954-05021	Claw No. 2	2

V. SAFETY PRECAUTIONS



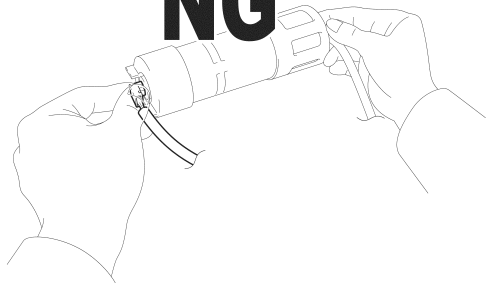
CRITICAL INFORMATION – READ THOROUGHLY



Failure to follow these procedures correctly could cause the SRS to unexpectedly deploy during servicing or the SRS may fail to operate correctly when required after reassembly. Confirm all work is performed as described in these instructions.

DO NOT CONNECT PREMATURELY
CANNOT DISCONNECTED

NG



R170120000

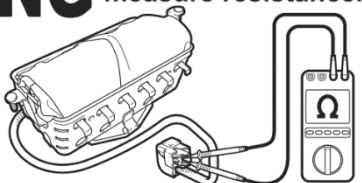
1. IMPORTANT NOTICE WHEN CONNECTING INSTRUMENT PANEL WIRE CONNECTOR TO AIRBAG INFLATOR

- Once connected, the instrument panel wire connector cannot be disconnected from the airbag inflator. If the instrument panel wire connector is incorrectly connected to the inflator, replace the instrument panel wire and inflator with new ones.

2. ELIMINATE STATIC ELECTRICITY

- Before starting work and periodically while working on the vehicle, touch a metallic part of the vehicle to discharge static electricity in the body.

NG DO NOT
measure resistance.

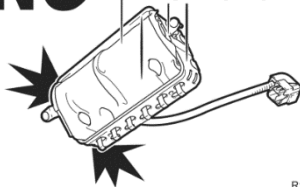


R1508210026

3. DO NOT MEASURE RESISTANCE

- DO NOT** measure resistance of airbag components, this may cause accidental activation.

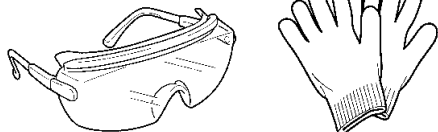
NG Replace with
new one.



R1508210027

4. HANDLE THE AIRBAG CAREFULLY

- If an airbag is dropped, replace it with a **NEW** one.

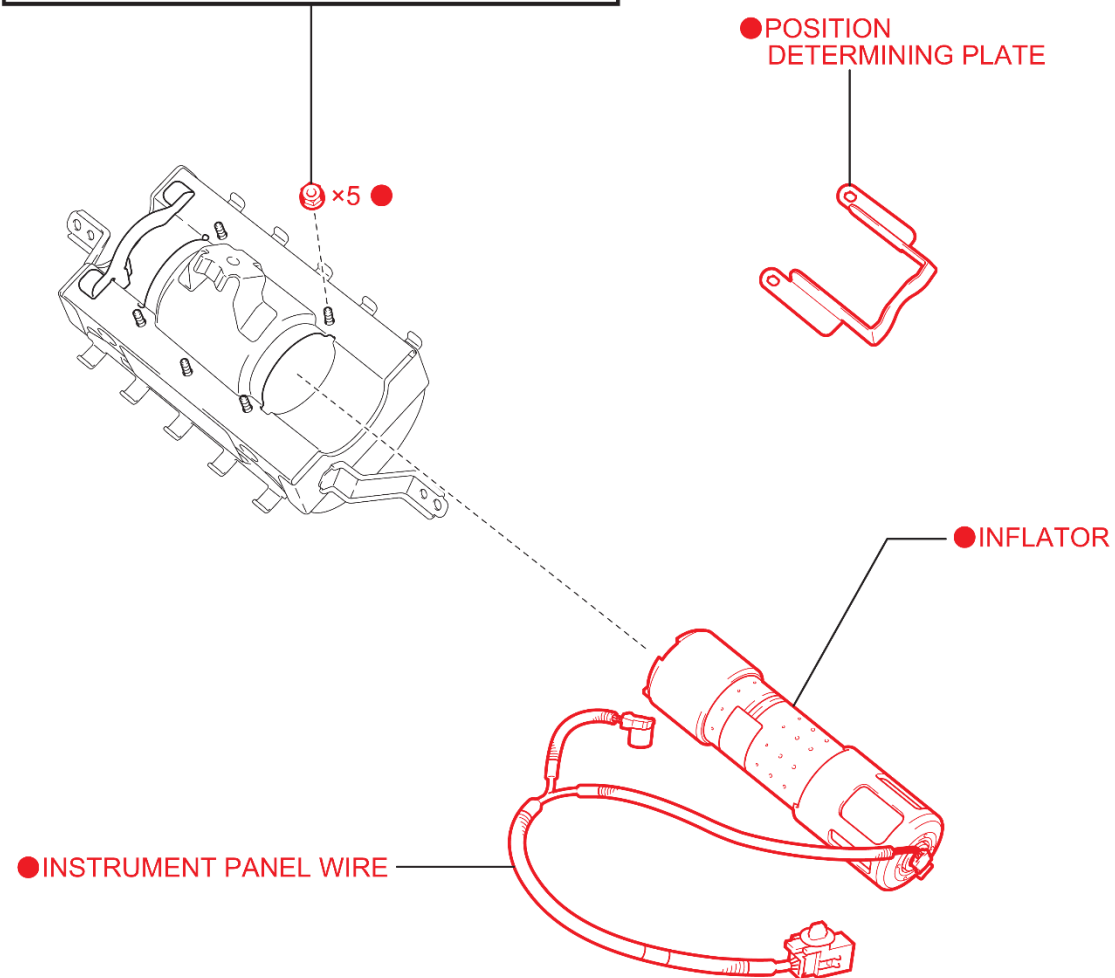


Wear protective eye wear
and work gloves.

5. WEAR PROTECTIVE EQUIPMENT

- Always wear appropriate protective equipment when working on the SRS.

3.9 N·m (40, 35 in.*lbf)
Be careful not to
overtighten.



● : Replacement part

R1707250002

1. REMOVE THE AIRBAG MODULE

a) Refer to TIS for instructions on airbag removal:

[2008MY](#) [2009MY](#) [2010MY](#) [2011 MY](#) [2012 MY](#)



- Wait at least 90 seconds after disconnecting the cable from the negative battery terminal to prevent airbag and seat belt pre-tensioner deployment.
- Follow all precautions as outlined on TIS before servicing the SRS system.

2. LAUNCH THE SERIAL NUMBER RECORDING APPLICATION



- The AIRBAG ASSEMBLY, ORIGINAL INFLATOR, and NEW INFLATOR serial numbers **MUST** be recorded using the barcode scanner (provided at the launch of SSC F0J).
- The barcode scanner application **MUST** be completed on every vehicle. These numbers **MUST** be included on every warranty claim that is submitted for inflator module replacement or the claim may be subject to debit.
- The technician performing the work **MUST** have valid TIS login credentials and an internet connection to perform the inspection and scanning process.

- a) Log in to TIS and input the VIN of the vehicle in the Vehicle Inquiry tab.
- b) Confirm the VIN is applicable and that the campaign has not been completed.
- c) Click on the link to be sent to the scanning application site.
- d) You can also log into the scanning site via the URL below

Log into the website via the URL below

<https://takata-scan-app.imagespm.info/>

User ID: Dealer Code

First time login password: xxxxx

The screenshot displays the Toyota TIS Vehicle Inquiry interface. At the top, navigation tabs include Home, TIS, TAS, PRS, QAT, and TOYOTA. Below these are sub-tabs for Library, Diagnostics, Tech Assistance, and Vehicle Inquiry. The main content area is titled "Vehicle Identification Number Search" and contains a form with the instruction "Enter a 17 Digit VIN below to search for applicable information:". The VIN "1NX-BR32E-000000000" is entered in the field, with a red circle around it and a red "a)" label. Below the search form is a "Vehicle Information" section with a table of details: Division: TOYOTA, Model: Corolla, Grade: CE, Model Year: 2003, Drive Type: 2WD, Body Type: 4Dr. Sedan, Engine Family: 4-cylinder - 1ZZ, Transmission: (blank), Date of First Use: (blank), Production Date: 01/18/2002, Plant Code: Z - FREMONT PLANT - NUMN], VIN: 1NX-BR32E-000000000, Standard Equipment: Click here to display, Exterior Color: 03MS, SANDRIFT METALLIC, Interior Color: FA41, FA41, Interior Trim Color: FA, *, Interior Fabric: F, *. Below this is a "Service Campaign" section with a "Campaign Description" and a "Completion Status" of "Not Completed" (circled in red with a red "b)" label) and a link "Check applicability for VIN" (circled in red with a red "c)" label). The footer shows "© 2013 Toyota Motor Sales, Inc." and "Feedback | Privacy | Legal".

Login

Complete all required (*) fields below.

*** User ID (enter your 5-digit dealer code, or 6-digit for Canadian dealers eg. Cnnnnn format):**

*** Password:**

Login

[Forgot Password?](#)

Technician Information

Please provide information below before searching for VIN.

Technician Name:

SPIN ID (12 digit code):

Search

a) Enter your name and SPIN ID into the site

Enter VIN

Enter the 17-digit Vehicle Identification Number to begin the search for this campaign.

VIN:

Mileage on Vehicle:

Search

b) Enter the VIN and vehicle mileage into the site

3. SCAN THE AIRBAG SERIAL NUMBER

- a) Scan the **AIRBAG ASSEMBLY** serial number 2 times.
 - 1) Confirm the cursor is in the first serial number box then scan the serial.
 - 2) Position the cursor in the second serial number box then scan the serial.
- b) Click next.

NOTE:

- If both serial numbers that are entered do not match, confirm and reenter.
- If the serial number barcode will not scan, it can be entered manually.

AIRBAG SERIAL NUMBER IDENTIFICATION

- The airbag serial number is **ALWAYS** the **12 DIGITS** located between the asterisks.
- The 3 digits before the asterisk **ARE NOT** part of the serial number, and **SHOULD NOT** be entered or an inaccurate response may be returned.

Airbag Serial Number Label Example



The **AIRBAG ASSEMBLY** serial number and the **INFLATOR** serial number are **DIFFERENT**. The **AIRBAG ASSEMBLY** serial number **MUST** be recorded prior to replacement.

ORIGINAL Airbag Assembly Serial Number

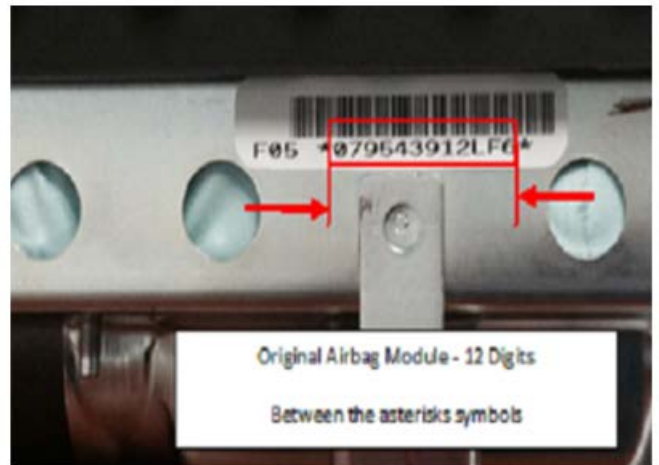
Scan or enter the **original** Airbag Assembly serial number into the website.

VIN:
Model / Campaign:

* Serial Number of *Original Airbag Assembly*:

* Re-confirm the Serial Number of *Original Airbag Assembly*:

Check if the airbag serial number is missing or not visible, or if installing a new airbag assembly



AIRBAG SERIAL NUMBER IS MISSING OR IS UNREADABLE

NOTE: Skip this section and jump to Section VIII if the airbag assembly is scannable



If the airbag serial number and barcode are not legible or are not present, check the box in the application indicating the serial number is not legible and contact your regional representative.

a) If the airbag serial number cannot be scanned or is not present check the box as shown below.

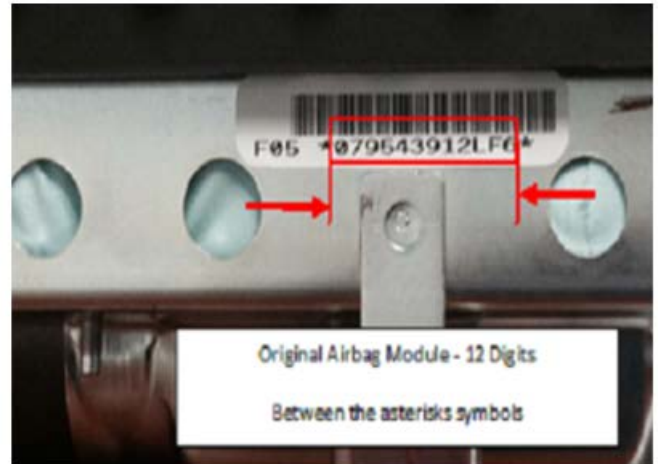
ORIGINAL Airbag Assembly Serial Number

Scan or enter the **original** Airbag Assembly serial number into the website.

VIN:
Model / Campaign:
* Serial Number of *Original* Airbag Assembly:

* Re-confirm the Serial Number of *Original* Airbag Assembly:

 Check if the airbag serial number is missing or not visible, or if installing a new airbag assembly
Search



Checking this box requires Air Bag Assembly replacement.

****Note** Contact your region in the event that you are unable to read the serial number.
DO NOT ATTEMPT TO INSTALL INFLATOR**

- b) After the Region approves the Airbag Assembly replacement and the new part is received, scan the NEW airbag barcode in the Serial Number Recording Application.



Takata Scan App

TMS Test Dealership

[Search Another VIN](#) | [Print Screen](#) | [Log Out](#)

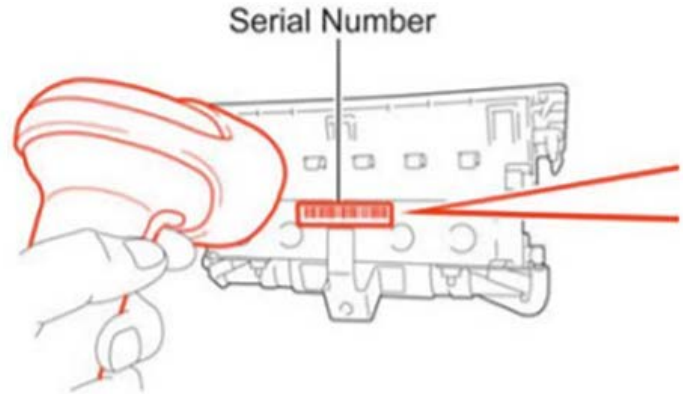
NEW Serial Number

Scan or enter the **new** Airbag Assembly Serial Number into the website.

VIN:

* Serial Number of New Airbag Assembly:

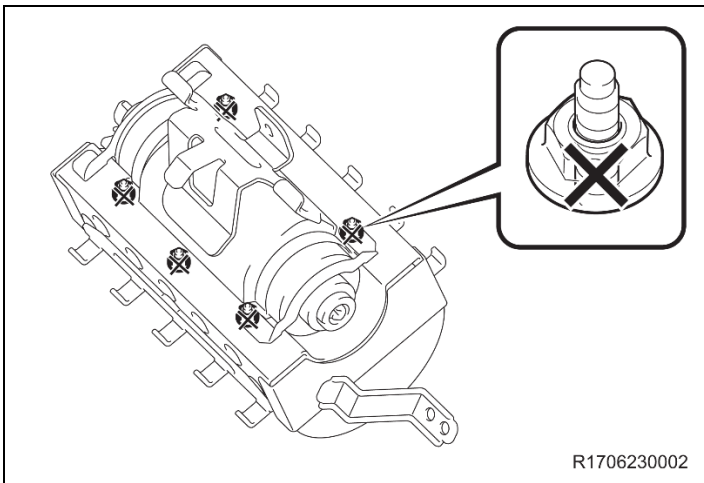
* Re-confirm the Serial Number of New Airbag Assembly:



The new **AIRBAG ASSEMBLY** serial number **MUST** be recorded prior to reinstallation to track the airbag assembly to the vehicle.

Skip to Section VIII Step 3 If a new airbag assembly was installed instead of an inflator

4. REMOVE INFLATOR FROM THE AIRBAG MODULE



1. REMOVE THE INFLATOR

- a) Mark the 5 self locking nuts to prevent reuse.

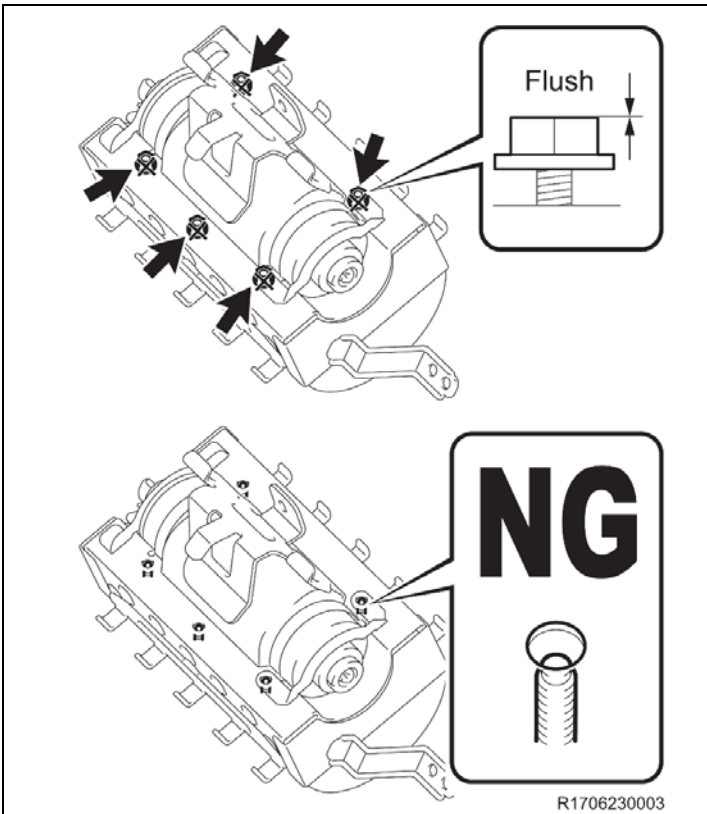


a) Mount the adaptors (579943-3R3) to the airbag as shown.

NOTE: The 6mm stud mounts to the airbag.

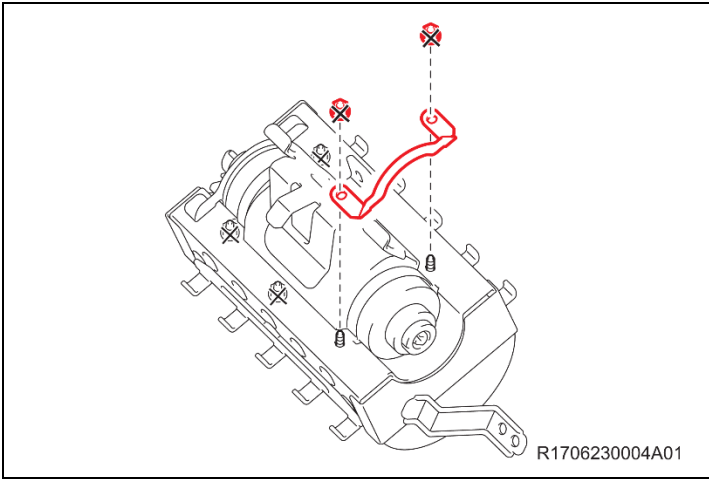


b) Mount the airbag to the mouting bracket as shown.



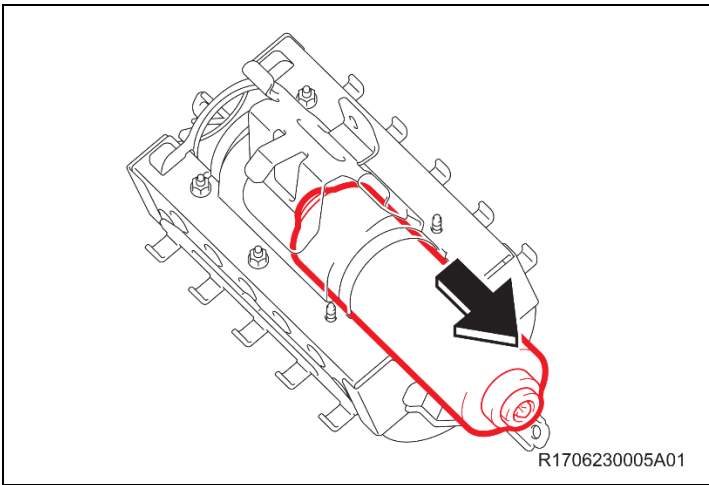
c) Loosen the 5 nuts until each nut is flush with the top of the stud as shown.

NOTE: You may need to slide the airbag to the left or right to access the middle nut. DO NOT use power tools to remove the nuts.

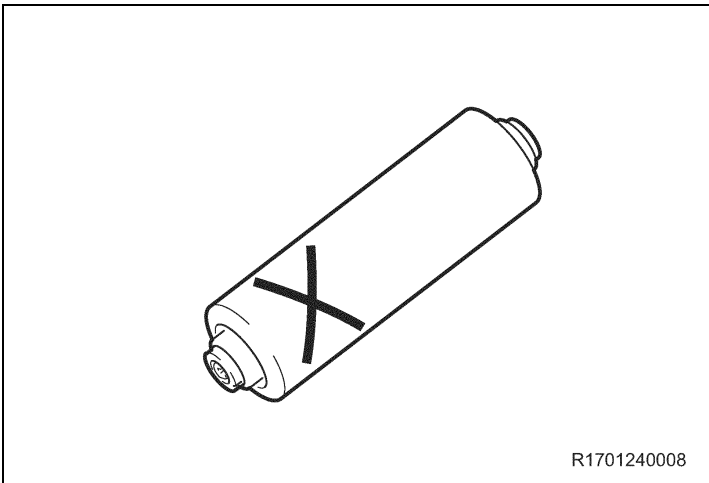


- d) Loosen and discard the 2 nuts on the end where the positioning plate is removeable.
- e) Remove and discard the plate.

NOTE:
DO NOT use power tools.



- f) Remove the inflator.



- g) Mark the old inflator so it is not reused.
- NOTE: Return the old inflator to the parts department for recovery.**



**ENSURE YOU ENTER BOTH THE OLD AND NEW INFLATOR SERIAL NUMBERS IN THE APPROPRIATE SPOT OF THE APPLICATION
-DO NOT ENTER THE AIRBAG SERIAL NUMBER FOR THIS STEP-**



5. SCAN THE OLD AND NEW INFLATOR SERIAL NUMBER

- a) Scan the **OLD** inflator serial number and mark the old inflator so that it will not be reused.
- b) Scan the **NEW** inflator QR code.

ATTENTION: This information is CRITICAL

- It is used to confirm the correct inflator is removed from the vehicle.
- It is recorded by TMS to trace the return parts shipment.
- It is used to track the new inflator that is being installed in the vehicle.

ORIGINAL Inflator Serial Number

Scan or enter the **original** Inflator serial number into the website.

VIN: 2T1BR32E57C810829
 Model / Campaign: 2007 Corolla / E04

* Serial Number of **Original** Inflator:

* Re-confirm the Serial Number of **Original** Inflator:

Check if the inflator serial number is missing or not visible, OR if installing a new airbag assembly

Search



REPLACEMENT Inflator Serial Number

Scan or enter the **replacement** Inflator serial number into the website.

VIN: 2T1BR32E57C810829
 Model / Campaign: 2007 Corolla / E04

* Serial Number of **Replacement** Inflator:

* Re-confirm the Serial Number of **Replacement** Inflator:

Search



c) If the inflator serial number cannot be scanned or is not present check the box as shown below.

ORIGINAL Inflator Serial Number

Scan or enter the **original** Inflator serial number into the website.

VIN: 2T1BR32E57C810829
Model / Campaign: 2007 Corolla / E04

* Serial Number of Original Inflator:

* Re-confirm the Serial Number of Original Inflator:

Check if the inflator serial number is missing or not visible. OR if installing a new airbag assembly

Search



Checking this box requires Air Bag Assembly replacement.

****Note** Contact your region in the event that you are unable to read the serial number.**

DO NOT ATTEMPT TO INSTALL INFLATOR

d) Confirm agreement by checking the two boxes.

e) Record the Warranty Authorization # to be included in the warranty claim.

f) Place the old inflator in the parts box and take it immediately to the parts department.

NOTE:

- Confirm the cursor is in the correct serial number input box before scanning.
- If the serial number barcode will not scan, it can be entered manually.
- If there are any difficulties or concerns with this process, email quality_compliance@toyota.com with details.

Step e)

Takata Scan App (TEST v2) Final Results

You can [Print Screen](#) or [Search Another VIN](#).

Results:	Inflator Replacement Required
Warranty Authorization Number:	77515K46 <small>This number is required for the warranty claim. Print and save this screen for your records.</small>
VIN:	2T1BR32E57C810829
Vehicle:	2007 Corolla
Campaign:	E04
Original Airbag Serial:	123456789K12
Replacement Airbag Serial:	
Original Inflator Serial:	W0123456789
Replacement Inflator Serial:	W0123456789
Scan Date:	12/22/2020 08:47AM (mm/dd/yyyy)

VIII. FRONT PASSENGER AIRBAG REINSTALLATION

1. INSTALL A NEW INFLATOR

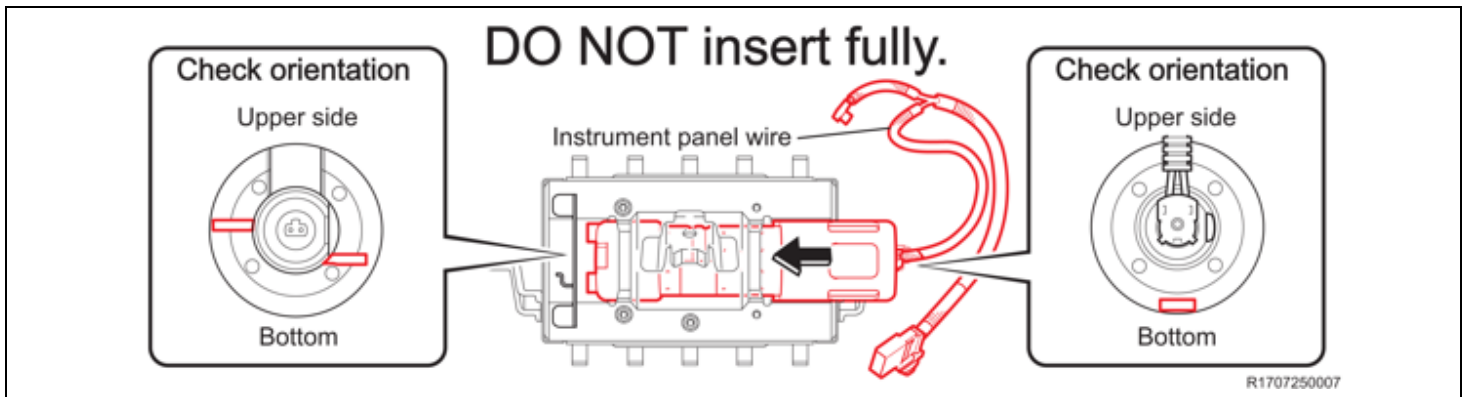


Make sure to follow the installation procedure carefully as the instrument panel wire connector cannot be disconnected once connected.

- a) Insert a **NEW** inflator to the center of the airbag case with the correct orientation as shown in the illustration.



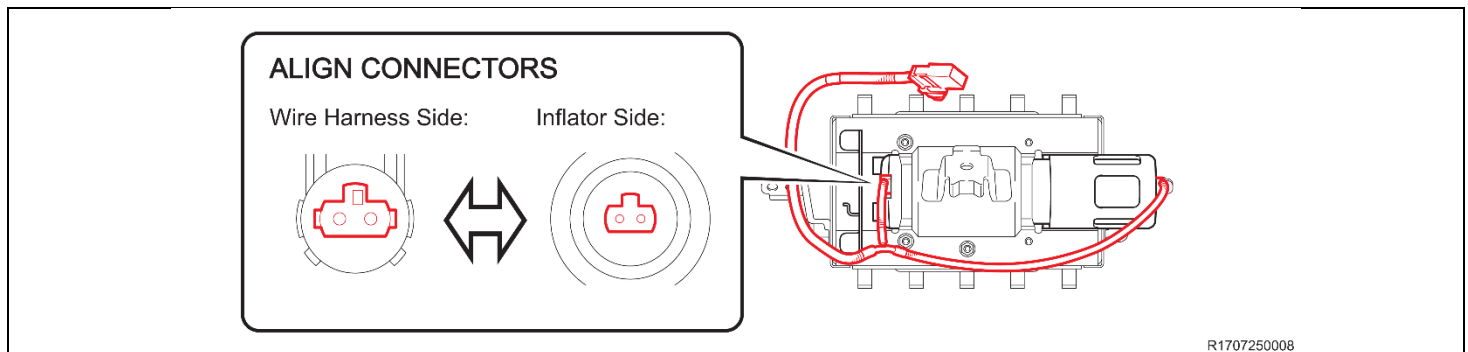
- Make sure that the passenger airbag inflator is oriented correctly as shown in the illustration, not upside down.
- If the passenger airbag inflator is upside down, it will not be able to be fully inserted.



- b) Connect the airbag connector to the instrument panel passenger airbag assembly and then push in the airbag connector lock as shown in the illustration.



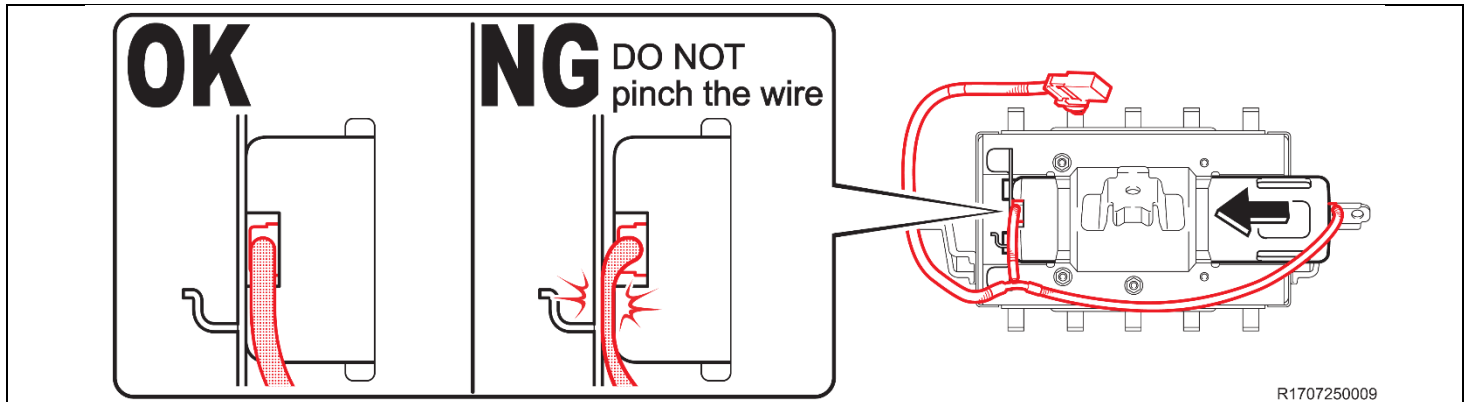
- Make sure to correctly align the connectors before connecting them.
- Make sure that the airbag connector is securely connected.



c) Insert the inflator fully as shown in the illustration.



DO NOT pinch instrument panel wire.

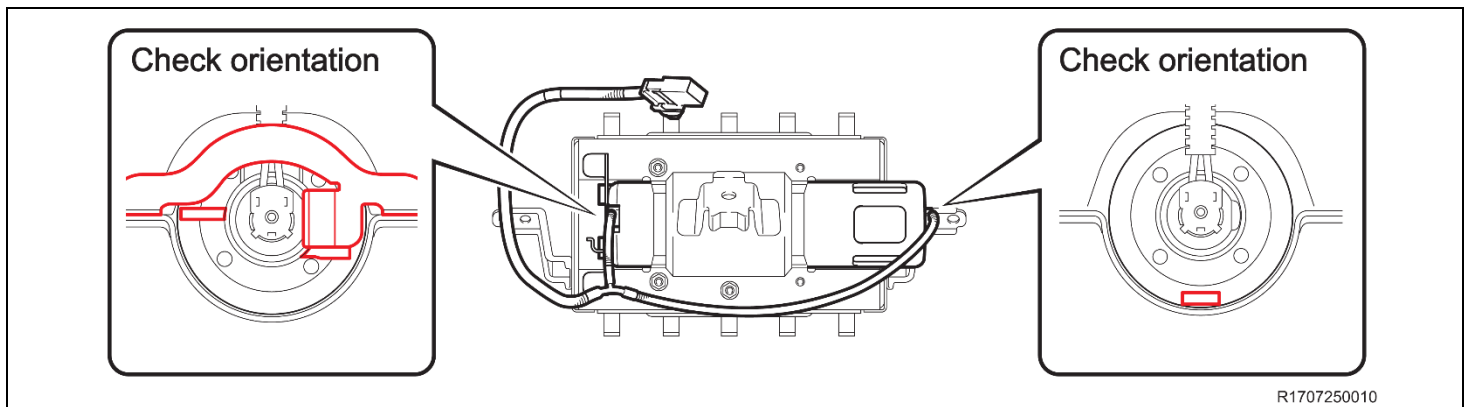


R170725009

d) Insert the inflator with the correct orientation as shown in the illustration.

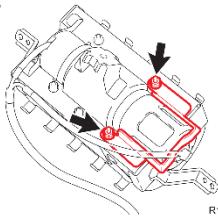


- Make sure that the inflator is oriented correctly as shown in the illustration, not upside down.
- If the passenger airbag inflator is upside down, it will not be able to be fully inserted.



R170725010

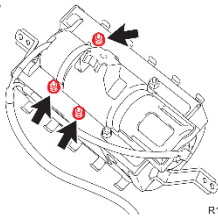
Install temporarily
by hand.



R1707250011

e) Temporarily install a **NEW** plate and airbag inflator with the 2 **NEW** self-locking nuts.

Install temporarily
by hand.



R1707250012

- f) Remove the 3 remaining old self-locking nuts and install temporarily 3 **NEW** self-locking nuts by hand.
- g) Store the removed self-locking nut in a replacement part box or the like.

h) Push the inflator and plate to towards the position determining plate to eliminate any gap.



If any gap exists, the aligned flats may move apart, resulting in failure in normal deployment of the airbag.

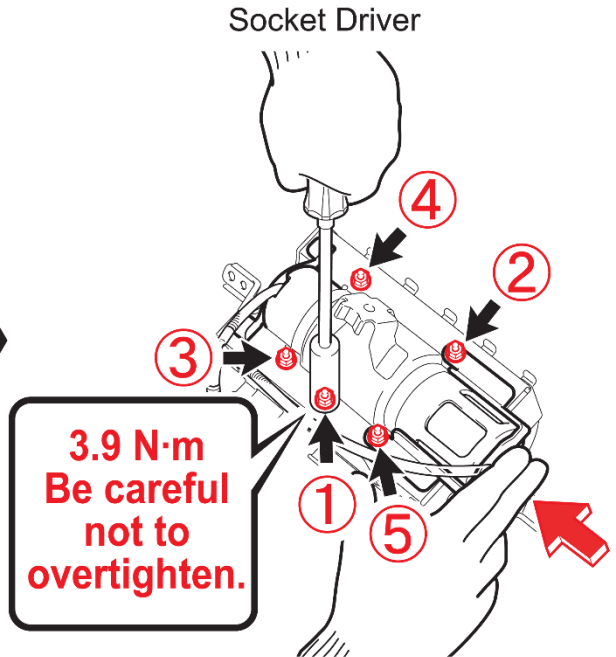
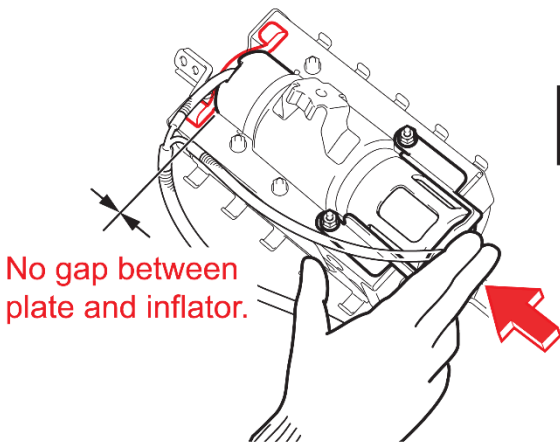
i) Tighten 5 nuts evenly in several increments in the order shown in the illustration using a socket driver while pushing the inflator and plate. (You will encounter some resistance during tightening because these nuts are self-locking nuts.)

Torque: 3.9 N*m (40 kgf*cm, 35 in.*lbf)



The tightening torque is low (3.9 N·m). Use of an air ratchet wrench or tightening strongly with a T-handle wrench or a ratchet handle may cause deformation of the stud bolt.

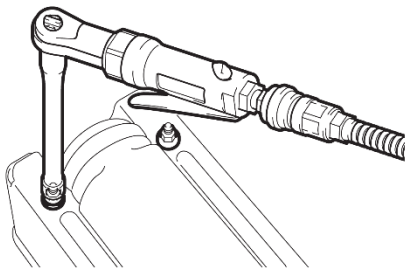
OK



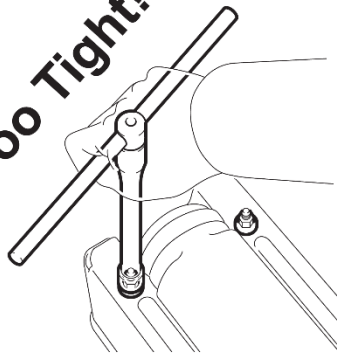
NG

NG

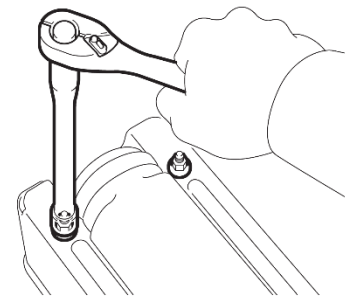
NG



Too Tight!



Too Tight!

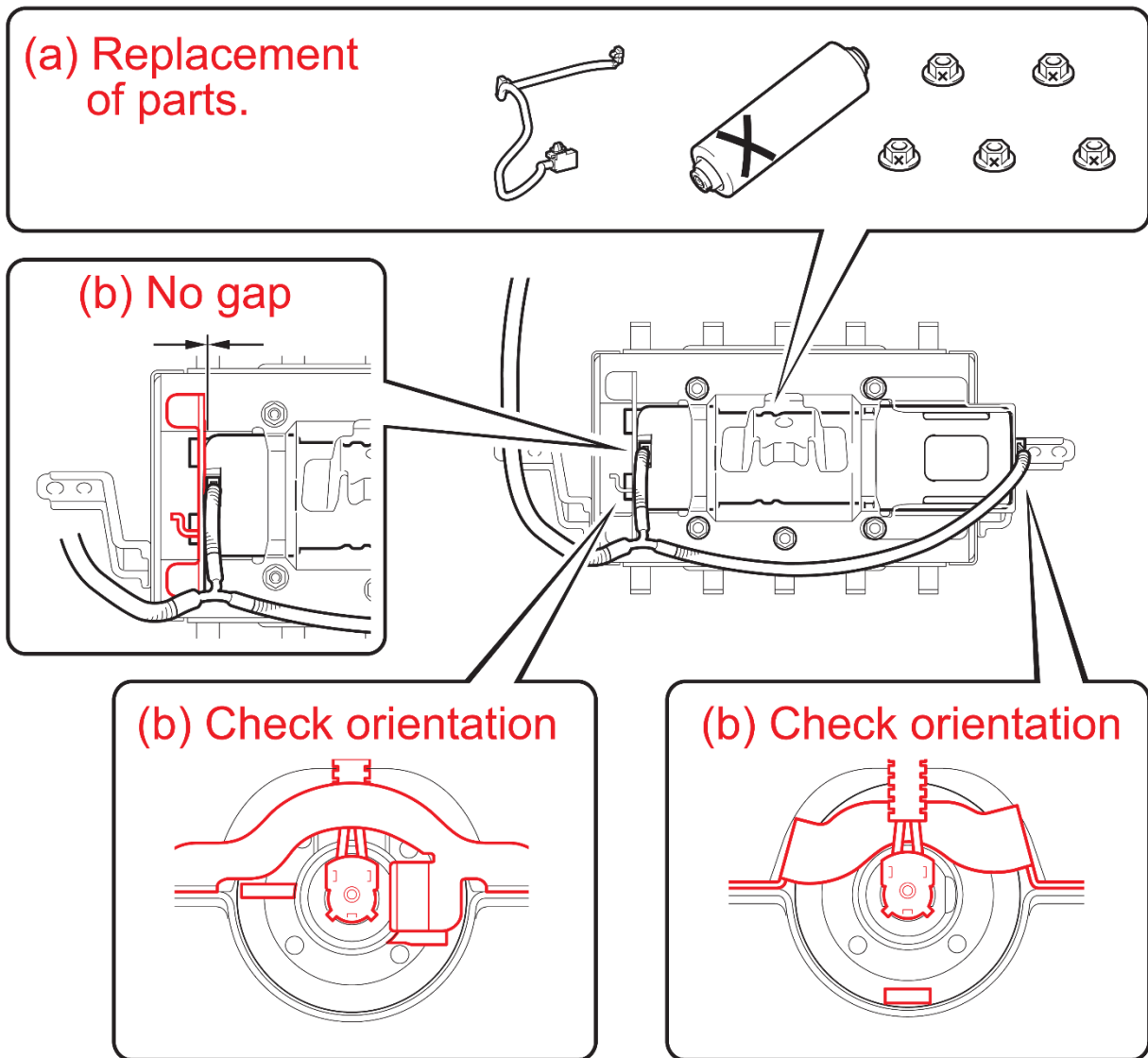


These tools cause overtightening !

R1707250013

2. INTERMEDIATE INSPECTION

- a) Check that the inflator and the 5 self-locking nuts, instrument panel wire are replaced.
- b) Check that positions of the inflator and the position determining plate are correct.
(There should be no gap.)



R1707250014

3. REINSTALL THE AIRBAG MODULE

- a) Refer to TIS for instructions on airbag installation:

[2008 MY](#) [2009 MY](#) [2010 MY](#) [2011 MY](#) [2012 MY](#)

4. RECONNECT THE NEGATIVE BATTERY CABLE

- a) Reconnect the negative battery cable.
- b) Perform any needed system initializations.

5. PREFORM ANY NEEDED VEHICLE INITIALIZATIONS

6. PERFORM A HEALTH CHECK AND DIAGNOSTIC REPORT

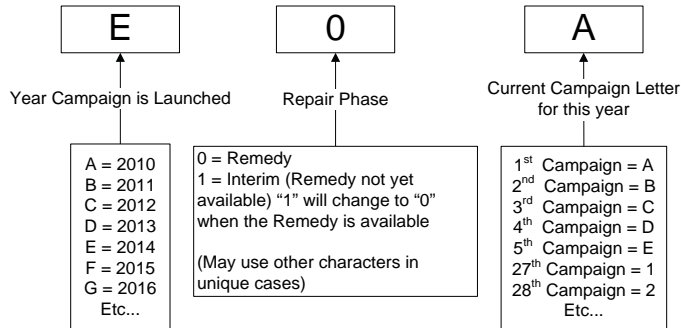
◀ VERIFY REPAIR QUALITY ▶

- Confirm all precautions are followed to ensure safety during the repair
- Confirm the entire serial number checker application is completed and the warranty authorization # is recorded on **EVERY** vehicle
- Confirm the old inflator is handled safely and given to the appropriate parts professional for shipment

If you have any questions regarding this update, please contact your regional representative.

IX APPENDIX

A. CAMPAIGN DESIGNATION DECODER



Examples:

A0D = Launched in 2010, Remedy Phase, 4th Campaign Launched in 2010

B1E = Launched in 2011, Interim Phase, 5th Campaign Launched in 2011

C1C = Launched in 2012, Interim Phase, 3rd Campaign Launched in 2012

B. CAMPAIGN PARTS DISPOSAL

ALL inflators that are removed from vehicles under this campaign **MUST** be packaged and shipped back to the inflator manufacturer following the manufacturer's instructions. The instructions can be found in the following locations:

- Attached to the dealer letter
- Included in the parts box