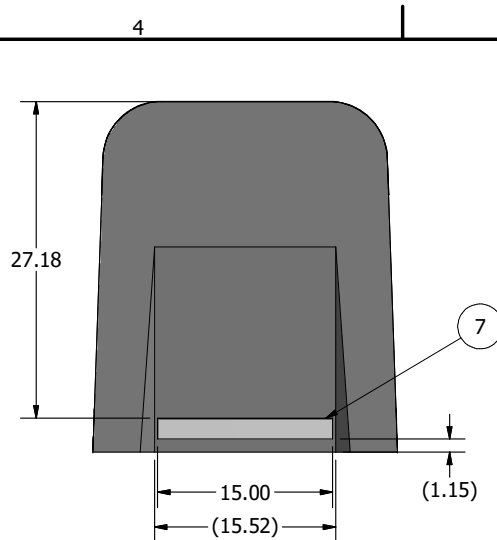
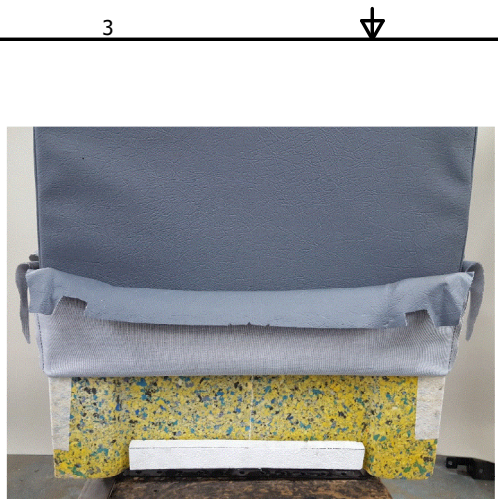


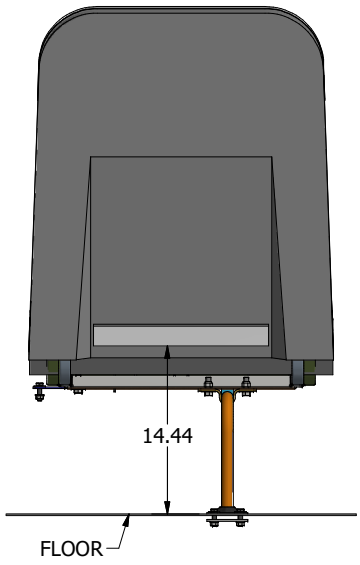
File Location - \\CEW-CADSVR\Engineering\CAD\Inventor\CAD Files\Drawings\INS Prod-Assy Aids\INS-175.idw  
Plotted - 4/30/17 09:41:04



BACK VIEW  
(WITHOUT COVER)



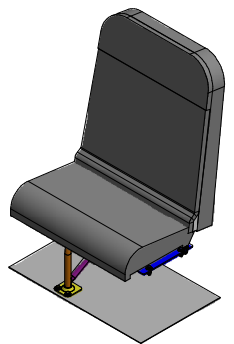
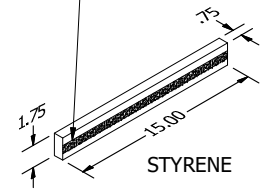
BACK VIEW  
(WITH BACK COVER ROLLED UPWARD)



FRONT VIEW  
(WITHOUT COVER)

| REVISION HISTORY |        |             |        |           |
|------------------|--------|-------------|--------|-----------|
| REV              | ECN    | DESCRIPTION | DRN BY | DATE      |
| A                | CM0644 | NEW RELEASE | ALN    | 9/10/2018 |

ADHERE TO ONE SIDE ONLY.  
APPLY ONE STRIP OF ADHESIVE  
FROM END TO END.



**RECALL #18E-056**  
**SERVICE REPAIR PROCEDURE #1801-0014**

- INSTRUCTIONS:
1. IDENTIFY SB11 26" SEATS, STYRENE 203-717-26 & ADHESIVE.
  2. REMOVE STAPLES FROM BOTTOM OF SEATBACK THAT ARE ATTACHED IN TACK STRIP.
  3. PULL UPWARD ON BACKCOVER AND ROLL CAREFULLY ON ALL SIDES, ENOUGH TO COMFORTABLY WORK WITH ADDING STYRENE. (SEE PICTURE)
- \*NOTE: LIKELY PLASTIC FILM WILL BE IN PLACE BETWEEN THE COVER AND FOAM. PLASTIC FILM CAN BE TUCKED UNDER COVER. IT IS USED FOR AN ASSEMBLY AID.
4. MEASURE LOCATION OF STYRENE PART FROM FLOOR UPWARD 14.44".
  5. APPLY ADHESIVE TO ONE SIDE OF STYRENE. (SEE STYRENE VIEW)
  6. BEFORE SECURING STYRENE, ASSURE DIMENSION VERTICALLY AND PLAN TO CENTER STYRENE HORIZONTALLY. PLACE GLUED SIDE OF STYRENE 203-717-26 TO BACK OF FOAM.
  7. PRESS FIRMLY ON STYRENE TO ASSURE SECURE ATTACHMENT TO FOAM.
  8. CAREFULLY PULL COVER BACK DOWNWARD ON ALL SIDES AND SECURE WITH APPROXIMATE QUANTITY OF STAPLES REMOVED.
- \*NOTE: IF THE NEWLY ADDED STYRENE PART BECOMES LOOSE WHEN PULLING DOWN COVER, REPEAT NEEDED STEPS ABOVE TO SECURE STYRENE.

| 2    | 800-652     | .01 | ADHESIVE SPRAY, 3M SUPER 77  |
|------|-------------|-----|------------------------------|
| 1    | 203-717-26  | 1   | STYRENE, 0.75 x 1.75 x 15.00 |
| ITEM | PART NUMBER | QTY | DESCRIPTION                  |

PARTS LIST

THIS DRAWING AND THE CONTENTS ARE THE PROPERTY OF THE C.E. WHITE COMPANY. ANY USE OR COPY OF THE DATA CONTAINED ON THIS DRAWING, PHYSICAL OR ELECTRONIC, WITHOUT THE EXPRESSED WRITTEN PERMISSION FROM THE C.E. WHITE CO. IS PROHIBITED.

**HSM SOLUTIONS**  
The C.E. White Co.  
New Washington, Ohio 44854  
417 Kibler St., P.O. Box 308  
ph 419.492.2157 fax 419.492.2544  
www.cewhite.com

|                            |                                       |                                  |        |                 |
|----------------------------|---------------------------------------|----------------------------------|--------|-----------------|
| THIRD ANGLE                | TOLERANCES UNLESS OTHERWISE SPECIFIED | DESCRIPTION                      | SCALE  |                 |
|                            | .X = ± .1                             | INS. SB11 26 COMPLETED SEAT FOAM | 1 of 1 |                 |
|                            | .XX = ± .03                           | HOLE DIAMETER                    |        | SIZE            |
|                            | .XXX = ± .005                         | SOFT GOODS                       |        | DRAWN BY: anims |
| WEIGHT/LBS                 | REF USED ON:                          | DATE: 8/27/2018                  | SHEET  |                 |
| 0.0 lbmass                 | FINISH SPEC:                          | DATE:                            | 1 of 1 |                 |
| MATERIAL SPEC: Foam, Styro |                                       | PART NUMBER                      | REV    |                 |
|                            |                                       | INS-175                          | A      |                 |