

August 2018  
 FL772A-K  
 NHTSA #18V-353 (Non-School Bus)  
 NHTSA #18V-352 (School Bus)  
 Transport Canada #2018-285 (Non-School Bus)  
 Transport Canada #2018-284 (School Bus)

**Subject: Brake Caliper Mounting Bolts**

**Models Affected: Specific Freightliner Business Class M2, Cascadia, Columbia, 108SD, and 114SD vehicles; Western Star 4700, 4900, and 5700 vehicles; Freightliner Custom Chassis B2, S2C, S2G, XB and XC Chassis; and Thomas Built Buses Saf-T Liner C2, EFX, and HDX buses manufactured January 3, 2017, through October 31, 2017, and equipped with air disc brakes**

**General Information**

Daimler Trucks North America LLC (DTNA), on behalf of its Freightliner Trucks Division and wholly owned subsidiaries, Western Star Truck Sales, Inc., Freightliner Custom Chassis Corporation, and Thomas Built Buses, has decided that a defect that relates to motor vehicle safety exists on the vehicles mentioned above.

There are approximately 12,202 vehicles involved in this campaign.

On certain vehicles, insufficiently torqued caliper mounting bolts may not provide adequate clamping force between the brake caliper and brake anchor plate, potentially resulting in reduced brake effectiveness, which could lead to a crash.

Caliper mounting bolts will be inspected, torqued, or replaced as needed.

**Additional Repairs**

Dealers must complete all outstanding Recall and Field Service campaigns prior to the sale or delivery of a vehicle. A Dealer will be liable for any progressive damage that results from its failure to complete campaigns before sale or delivery of a vehicle.

Owners may be liable for any progressive damage that results from failure to complete campaigns within a reasonable time after receiving notification.

**Work Instructions**

Please refer to the attached work instructions. Prior to performing the campaign, check the vehicle for a completion sticker (Form WAR260).

**Replacement Parts**

Replacement parts are now available and can be obtained by ordering the part number(s) listed below from your facing Parts Distribution Center. **TBB and DTNA part numbers are interchangeable** as noted in parts table.

If our records show your dealership has ordered any vehicles involved in campaign number FL772, a list of the customers and vehicle identification numbers will be available in OWL. Please refer to this list when ordering parts for this recall.

**Table 1** - Replacement Parts for FL772A-K

Campaign Number	Part Description	Part Number	Qty. per Caliper
FL772A	SCRW HX,SCKTHD,M16-2X110,12.9	23-13315-110	6 ea
FL772B	SCREW-CAP,HEX,M20X60,10.9,P/O	N210931 020001	6 ea
	WASHER-HRDN,0.81X1.47X.177,ZN	23-09114-004	6 ea
	SCRW HX,SCKTHD,M16-2X110,12.9	23-13315-110	6 ea
FL772C	BOLT-HEX,PC10.9,PO,M20X1.5X55	23-14285-055	6 ea

**Table 1, Continued on page 2**

**August 2018**  
**FL772A-K**  
**NHTSA #18V-353 (Non-School Bus)**  
**NHTSA #18V-352 (School Bus)**  
**Transport Canada #2018-285 (Non-School Bus)**  
**Transport Canada #2018-284 (School Bus)**

Campaign Number	Part Description	Part Number	Qty. per Caliper
FL772D	KIT-MER ADB-L, HARDWARE	TDA 41X1801	1 ea
FL772E	SCREW-CAP,SKT HD,M20X1.5X70	23-13843-070	6 ea
FL772F	SCREW-CAP,HEX,M20X60,10.9,P/O	N210931 020001	6 ea
	WASHER-HRDN,0.81X1.47X.177,ZN	23-09114-004	
FL772G	SCREW-CAP,HEX,M20,10.9,ZN,YL	23-12893-060	6 ea
	WASHER-HRDN,0.81X1.47X.177,ZN	23-09114-004	6 ea
FL772H	SCRW HX,SCKTHD,M16-2X110,12.9	23-13315-110	6 ea
FL772I	SCREW-CAP,HEX,M20X60,10.9,P/O	N210931 020001	6 ea
	or SCREW-CAP,HEX,M20,10.9,ZN,YL	23-12893-060	
	WASHER-HRDN,0.81X1.47X.177,ZN	23-09114-004	
FL772J	SCRW HX,SCKTHD,M16-2X110,12.9	23-13315-110	6 ea
FL772K	SCREW-CAP,HEX,M20X60,10.9,P/O	TBB 203044 or N210931 020001	6 ea
	WASHER-FLAT, HARDENED,M20,ZN	TBB 61370288 or N221822 020000	
FL772A-K	TOOL-ADAPTER, WRENCH, ADB 225	TDA 3256B1354	1 ea

**Table 1, Continued from page 1**

**Removed Parts**

U.S. and Canadian Dealers, please follow Warranty Failed Parts Tracking shipping instructions for the disposition of all removed parts. Export distributors, please destroy removed parts unless otherwise advised.

**Labor Allowance**

**Table 2 - Labor Allowance**

Campaign Number	Procedure	Time Allowed (hours)	SRT Code	Corrective Action
FL772A-E (Trucks)	Inspect caliper bolts, 2 axles	2.0	996-R048A	06-Inspect Recall/Campaign
FL772A-E (Trucks)	Inspect caliper bolts, second rear axle	1.1	996-R048B	06-Inspect Recall/Campaign
FL772F-K (RVs and Buses)	Inspect caliper bolts, 1 axle, with radial runout check	1.2	996-R048D	06-Inspect Recall/Campaign
FL772F-K (RVs and Buses)	Inspect caliper bolts, 2 axles, with radial runout check	2.4	996-R048E	06-Inspect Recall/Campaign
FL772A-K (All Vehicles)	Inspect and torque caliper bolts, 2 axles	2.0	996-R048F	12-Repair Recall/Campaign
FL772A-K (All Vehicles)	Torque caliper bolts, second rear axle	1.1	996-R048G	12-Repair Recall/Campaign
FL772A-K (All Vehicles)	Replace caliper bolts, 1 caliper (claim this SRT once for each caliper requiring new bolts, up to 6 times)	0.5	996-R048C	12-Repair Recall/Campaign

**Table 2**

**August 2018**

**FL772A-K**

**NHTSA #18V-353 (Non-School Bus)**

**NHTSA #18V-352 (School Bus)**

**Transport Canada #2018-285 (Non-School Bus)**

**Transport Canada #2018-284 (School Bus)**

**IMPORTANT:** When the Recall has been completed, locate the base completion label in the appropriate location on the vehicle, and attach the red completion sticker provided in the recall kit (Form WAR260). If the vehicle does not have a base completion label, clean a spot on the appropriate location of the vehicle and first attach the base completion label (Form WAR259). If a recall kit is not required or there is no completion sticker in the kit, write the recall number on a blank sticker and attach it to the base completion label.

## Claims for Credit

You will be reimbursed for your parts, labor, and handling (landed cost for Export Distributors) by submitting your claim through the Warranty system within 30 days of completing this campaign. Please reference the following information in OWL:

- Claim type is **Recall Campaign**.
- In the FTL Authorization field, enter the campaign number and appropriate condition code (e.g. **FL772-A, FL772-B, etc.**).
- In the Primary Failed Part Number field, enter **25-FL772-000**.
- In the Parts field, enter the appropriate part number(s) as shown in the Replacement Parts Table.
- In the Labor field, first enter the appropriate SRT from the Labor Allowance Table. Administrative time will be included automatically as SRT 939-0010A for 0.4 hours for RVs or 0.3 hours for all other vehicles. **Some SRTs are optional, and if needed, must be added manually.**
- The VMRS Component Code is **013-001-129** and the Cause Code is **A1 - Campaign**.
- **U.S. and Canada -- Reimbursement for Prior Repairs.** When a customer asks about reimbursement, please do the following:
  - Accept the documentation of the previous repair.
  - Make a brief check of the customer's paperwork to see if the repair may be eligible for reimbursement. (See the "Copy of Owner Letter" section of this bulletin for reimbursement guidelines.)
  - Submit an OWL Recall Pre-Approval Request for a decision.
  - Include the approved amount on your claim in the Other Charges section.
  - Attach the documentation to the pre-approval request.
  - If approved, submit a based on claim for the pre-approval.
  - Reimburse the customer the appropriate amount.

**IMPORTANT:** OWL must be viewed prior to performing the recall to ensure the vehicle is involved and the campaign has not been previously completed. Also, check for a completion sticker prior to beginning work.

U.S. and Canadian dealers, contact the Warranty Campaigns Department via Web inquiry at DTNAConnect.com / WSC, or the Customer Assistance Center at (800) 385-4357, after normal business hours, if you have any questions or need additional information. Export distributors, submit a Web inquiry or contact your International Service Manager.

U.S. and Canadian Dealers: To return excess kit inventory related to this campaign, U.S. dealers must submit a Parts Authorization Return (PAR) to the Memphis PDC. Canadian dealers must submit a PAR to their facing PDC. All kits must be in resalable condition. PAR requests must include the original purchase invoice number. Export Distributors: Excess inventory is not returnable.

**August 2018  
FL772A-K  
NHTSA #18V-353 (Non-School Bus)  
NHTSA #18V-352 (School Bus)  
Transport Canada #2018-285 (Non-School Bus)  
Transport Canada #2018-284 (School Bus)**

The letter notifying U.S. and Canadian vehicle owners is included for your reference.

Please note that the National Traffic and Motor Vehicle Safety Act, as amended (Title 49, United States Code, Chapter 301), requires the owner's vehicle(s) be corrected within a reasonable time after parts are available to you. The Act states that failure to repair a vehicle within 60 days after tender for repair shall be prima facie evidence of an unreasonable time. However, circumstances of a particular situation may reduce the 60 day period. Failure to repair a vehicle within a reasonable time can result in either the obligation to (a) replace the vehicle with an identical or reasonably equivalent vehicle, without charge, or (b) refund the purchase price in full, less a reasonable allowance for depreciation. The Act further prohibits dealers from selling a vehicle unless all outstanding recalls are performed. Any lessor is required to send a copy of the recall notification to the lessee within 10 days. Any subsequent stage manufacturer is required to forward this notice to its distributors and retail outlets within five working days.

August 2018

FL772A-K

NHTSA #18V-353 (Non-School Bus)

NHTSA #18V-352 (School Bus)

Transport Canada #2018-285 (Non-School Bus)

Transport Canada #2018-284 (School Bus)

## **Copy of Notice to Owners**

### **Subject: Brake Caliper Mounting Bolts**

**For the Notice to U.S. Customers:** This notice is sent to you in accordance with the National Traffic and Motor Vehicle Safety Act. **For the Notice to Canadian Customers:** This notice is sent to you in accordance with the Canadian Motor Vehicle Safety Act.

Daimler Trucks North America LLC (DTNA), on behalf of its Freightliner Trucks Division and wholly owned subsidiaries, Western Star Truck Sales, Inc., Freightliner Custom Chassis Corporation, and Thomas Built Buses, has decided that a defect that relates to motor vehicle safety exists on specific Freightliner Business Class M2, Cascadia, Columbia, 108SD, and 114SD vehicles; Western Star 4700, 4900, and 5700 vehicles; Freightliner Custom Chassis B2, S2C, S2G, XB and XC chassis; and Thomas Built Buses Saf-T Liner C2, EFX, and HDX buses manufactured January 3, 2017, through October 31, 2017, and equipped with air disc brakes.

On certain vehicles, insufficiently torqued caliper mounting bolts may not provide adequate clamping force between the brake caliper and brake anchor plate, potentially resulting in reduced brake effectiveness, which could lead to a vehicle crash.

Caliper mounting bolts will be inspected, torqued, or replaced as needed.

This is the second notice regarding this recall. The repair is available and you may now contact an authorized Daimler Trucks North America dealer to arrange to have the Recall performed and to ensure that parts are available at the dealership. To locate an authorized dealer, search on-line at [www.Daimler-TrucksNorthAmerica.com](http://www.Daimler-TrucksNorthAmerica.com). On the menu tab, select "Contact," scroll down to "Find a Dealer," and select the appropriate brand. The Recall will take up to four hours, depending on the work needed, and will be performed at no charge to you.

You may be liable for any progressive damage that results from your failure to complete the Recall within a reasonable time after receiving notification.

If you do not own the vehicle that corresponds to the identification number(s) which appears on the Recall Notification, please return the notification to the Warranty Campaigns Department with any information you can furnish that will assist us in locating the present owner. If you have leased this vehicle, Federal law requires that you forward this notice to the lessee within 10 days. If you are a subsequent stage manufacturer, Federal law requires that you forward this notice to your distributors and retail outlets within five working days. If you have paid to have this recall condition corrected prior to this notice, you may be eligible to receive reimbursement. Please see the reverse side of this notice for details.

**For the Notice to U.S. Customers:** If you have questions about this Recall, please contact the Warranty Campaigns Department at (800) 547-0712, 7:00 a.m. to 4:00 p.m. Pacific Time, Monday through Friday, e-mail address [DTNA.Warranty.Campaigns@Daimler.com](mailto:DTNA.Warranty.Campaigns@Daimler.com), or the Customer Assistance Center at (800) 385-4357 after normal business hours. If you are not able to have the defect remedied without charge and within a reasonable time, you may wish to submit a complaint to the Administrator, National Highway Traffic Safety Administration, 1200 New Jersey Avenue, SE., Washington, DC 20590; or call the Vehicle Safety Hotline at (888) 327-4236 (TTY: (800) 424-9153); or to <http://www.safercar.gov>. **For the Notice to Canadian Customers:** If you have questions about this Recall, please contact the Warranty Campaigns Department at (800) 547-0712, 7:00 a.m. to 4:00 p.m. Pacific Time, Monday through Friday, e-mail address [DTNA.Warranty.Campaigns@Daimler.com](mailto:DTNA.Warranty.Campaigns@Daimler.com), or the Customer Assistance Center at (800) 385-4357 after normal business hours.

We regret any inconvenience this action may cause but feel certain you understand our interest in motor vehicle safety.

WARRANTY CAMPAIGNS DEPARTMENT

Enclosure

**August 2018**

**FL772A-K**

**NHTSA #18V-353 (Non-School Bus)**

**NHTSA #18V-352 (School Bus)**

**Transport Canada #2018-285 (Non-School Bus)**

**Transport Canada #2018-284 (School Bus)**

## **Reimbursement to Customers for Repairs Performed Prior to Recall**

If you have already **paid** to have this recall condition corrected you may be eligible to receive reimbursement.

Requests for reimbursement may include parts and labor. Reimbursement may be limited to the amount the repair would have cost if completed by an authorized Daimler Trucks North America LLC dealer. The following documentation must be presented to your dealer for consideration for reimbursement.

Please provide original or clear copies of all receipts, invoices, and repair orders that show:

- The name and address of the person who paid for the repair
- The Vehicle Identification Number (VIN) of the vehicle that was repaired
- What problem occurred, what repair was done, when the repair was done
- Who repaired the vehicle
- The total cost of the repair expense that is being claimed
- Proof of payment for the repair (such as the front and back of a cancelled check or a credit card receipt)

Reimbursement will be made by check from your Daimler Trucks North America LLC dealer.

Please speak with your Daimler Trucks North America LLC authorized dealer concerning this matter.

August 2018

FL772A-K

NHTSA #18V-353 (Non-School Bus)

NHTSA #18V-352 (School Bus)

Transport Canada #2018-285 (Non-School Bus)

Transport Canada #2018-284 (School Bus)

## Work Instructions

### Subject: Brake Caliper Mounting Bolts

**Models Affected:** Specific Freightliner Business Class M2, Cascadia, Columbia, 108SD, and 114SD vehicles; Western Star 4700, 4900, and 5700 vehicles; Freightliner Custom Chassis B2, S2C, S2G, and X-Line Chassis; and Thomas Built Buses Saf-T Liner C2, EFX, and HDX buses manufactured January 3, 2017, through October 31, 2017, and equipped with air disc brakes

## General Procedure

**IMPORTANT:** Vehicles may have both **axial and radial** mounted calipers. Please follow the work instructions for each calipers type - Bendix, Meritor, or Wabco and axial or radial.

1. Check the base label (Form WAR259) for a completion sticker for FL772 (Form WAR260) indicating this work has been done. On trucks, the base label is usually located on the passenger-side door, about 12 inches (30 cm) below the door latch, Motorhomes: on the front wall under the dash, Buses: above the drivers window. If a sticker is present for FL772, no work is needed. If there is no sticker, proceed with the next step.
2. Park the vehicle on a level surface, shut down the engine, and set the parking brake and chock the tires.



**When working on the vehicle, shut down the engine, set the parking brake, and chock the tires. Before working under the vehicle, always place jack stands under the frame rails to ensure the vehicle cannot drop. Failure to follow these steps could result in serious personal injury or death.**

3. Raise the vehicle and support it on jack stands.

**NOTE:** FL772A-E For trucks, go to pages 8-20. Follow the appropriate procedure for each type of caliper to be inspected (Bendix axial mounted or radial mounted on page 8 or 10, Meritor axial or radial mounted on page 12 or 13, Wabco Maxxus radial mounted on page 16). FL772F-K For motorhomes and buses, go to page 20.

August 2018  
FL772A-K  
NHTSA #18V-353 (Non-School Bus)  
NHTSA #18V-352 (School Bus)  
Transport Canada #2018-285 (Non-School Bus)  
Transport Canada #2018-284 (School Bus)

## Front and Rear Caliper/Carrier Assembly Inspection and Installation - Bendix Axial Mounted Calipers

1. Remove all of the wheel assemblies.
2. Use the Meritor extension tool TDA 3256B1354 and a torque wrench set to  $375 \pm 25$  lbf-ft ( $508 \pm 34$  N-m) and tighten the caliper mounting bolts. See [Table 3](#). If they do not turn, go to step 10. If they turn, go to step 3.

**Torque Compensation with Meritor Extension Tool TDA 3256B1354**



11/11/2016

f422612

All torque settings are  $\pm 40$  lbf-ft ( $\pm 54$  N-m)

Angle View	Extension Angle (degrees)	Wrench Length [inches (cm)]	Target Torque [lbf-ft (N-m)]	Tool Setting [lbf-ft (N-m)]
1. Remove all of the wheel assemblies.  0° 11/28/2016 f422613	0	43.5 (110.5)	400 (542)	334 (453)
 45° 11/28/2016 f422614	45			364 (494)
 90° 11/28/2016 f422615	90			400 (542)
 135° 11/28/2016 f422616	135			444 (602)

\* Compensation is calculated for a 43.5 inch (110.5 cm) nominal torque wrench using Meritor extension tool 3256B1354 at various angles.

**Table 3, Torque Compensation with Meritor Extension Tool 3256B1354**

August 2018

FL772A-K

NHTSA #18V-353 (Non-School Bus)

NHTSA #18V-352 (School Bus)

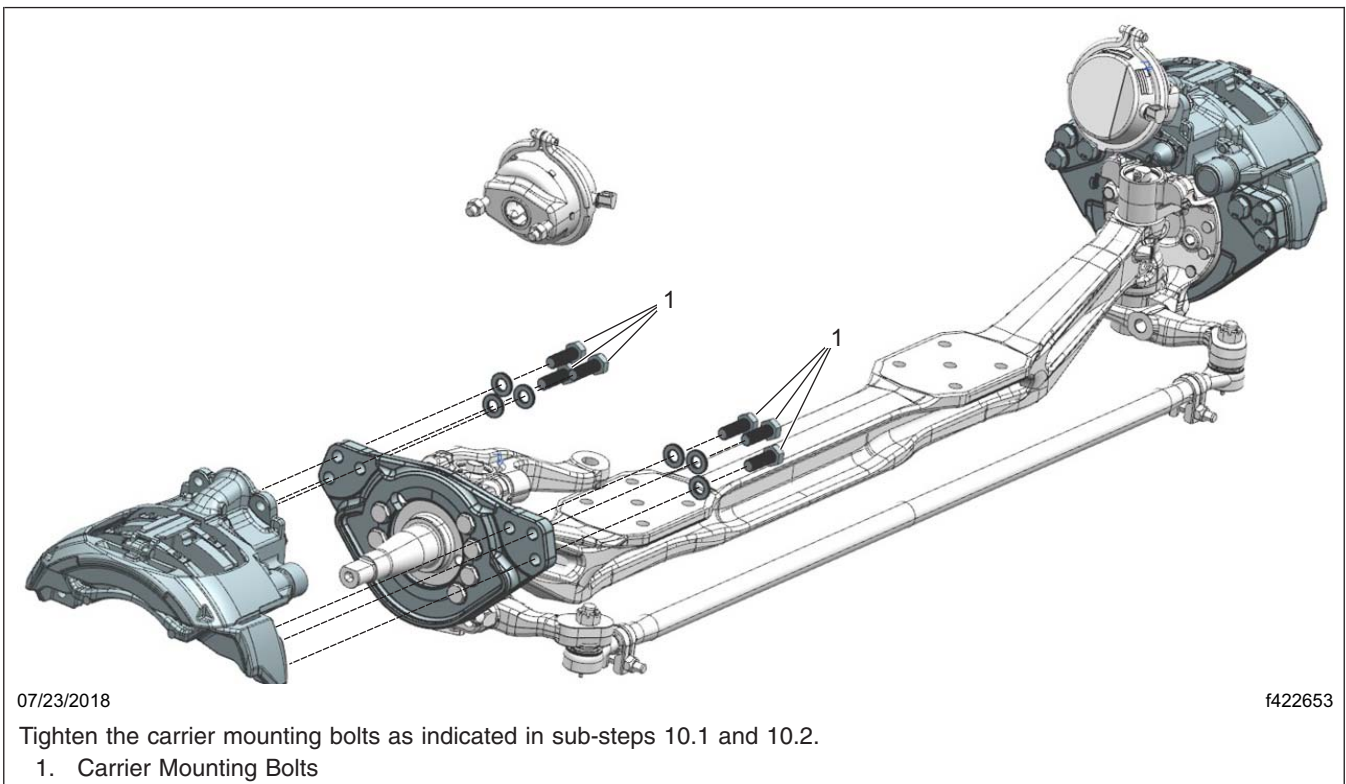
Transport Canada #2018-285 (Non-School Bus)

Transport Canada #2018-284 (School Bus)

3. Remove the retainer pin, cotter pin, and brake pad retainer. Inspect the brake pad hardware to ensure it is in good condition. If it is not, file a WSC ticket for instructions.
4. Remove the brake pads.
5. Remove caliper bolts.

**IMPORTANT:** The caliper/carrier assemblies are left and right handed. Ensure that the correct assembly (left or right) is installed on each side of the vehicle.

6. Align each caliper/carrier assembly with the rotor by pushing the caliper against the shelf on the torque plate, then install the caliper/carrier assembly using new caliper mounting bolts. See **Fig. 1**.
7. Tighten the carrier mounting bolts in two steps as follows. See **Fig. 1**.



**Fig. 1, Bendix Axial Mounted Caliper**

- 7.1 Start on one side of the caliper and tighten all three bolts  $40\pm 20$  lbf-ft ( $54\pm 27$  N-m), beginning with the outer-most bolt and moving to the inner-most bolt. Then tighten the three bolts on the other side of the caliper  $40\pm 20$  lbf-ft ( $54\pm 27$  N-m), beginning with the inner-most bolt and moving to the outer-most bolt.
- 7.2 Repeat this process, increasing the torque value to  $375\pm 25$  lbf-ft ( $508\pm 34$  N-m).

## NOTICE

**Do not use a motor driven tool to tighten the manual brake adjuster nut, or use excessive force to tighten the nut. Doing so could damage the manual brake adjuster nut.**

8. Install the brake pads. Provided it is good condition, use the brake pad hardware removed earlier.

August 2018

FL772A-K

NHTSA #18V-353 (Non-School Bus)

NHTSA #18V-352 (School Bus)

Transport Canada #2018-285 (Non-School Bus)

Transport Canada #2018-284 (School Bus)

9. Back off the adjuster nut three clicks.
10. Install the wheel assemblies.
11. Raise the vehicle, remove the jack stands, then lower the vehicle.
12. Charge the air system and check for leaks.

 **WARNING**

**Do not operate the vehicle until the brakes have been adjusted and checked for proper operation. To do so could result in inadequate or no braking ability, which could cause personal injury or death, and property damage.**

13. In a safe area, check for proper brake operation, as follows, before putting the vehicle in service.
  - 13.1 Apply and release the brakes several times to check for air leaks and proper operation.
  - 13.2 Perform six low-speed stops to ensure proper parts replacement and full vehicle control.
  - 13.3 Immediately after doing the above stops, check the rotor temperatures. Any rotors that are significantly cooler than others indicate a lack of braking effort on those wheels.
14. Clean a spot on the base label (Form WAR259). Write the recall number, FL772, on a completion sticker (Form WAR260), and attach it to the base label to indicate this recall has been completed.

## Front and Rear Caliper/Carrier Assembly Inspection and Installation - Bendix Radial Mounted Calipers

1. Remove all of the wheel assemblies.
2. Set a torque wrench to  $225 \pm 22.5$  lbf-ft ( $305 \pm 31$  N·m) and tighten the caliper mounting bolts. If they do not turn, go to step 10. If they turn, proceed to step 3.
3. Remove the retainer pin, cotter pin, and brake pad retainer. Inspect the brake pad hardware to ensure it is in good condition. If it is not, file a WSC ticket for instructions.
4. Remove the brake pads.
5. Remove caliper bolts.

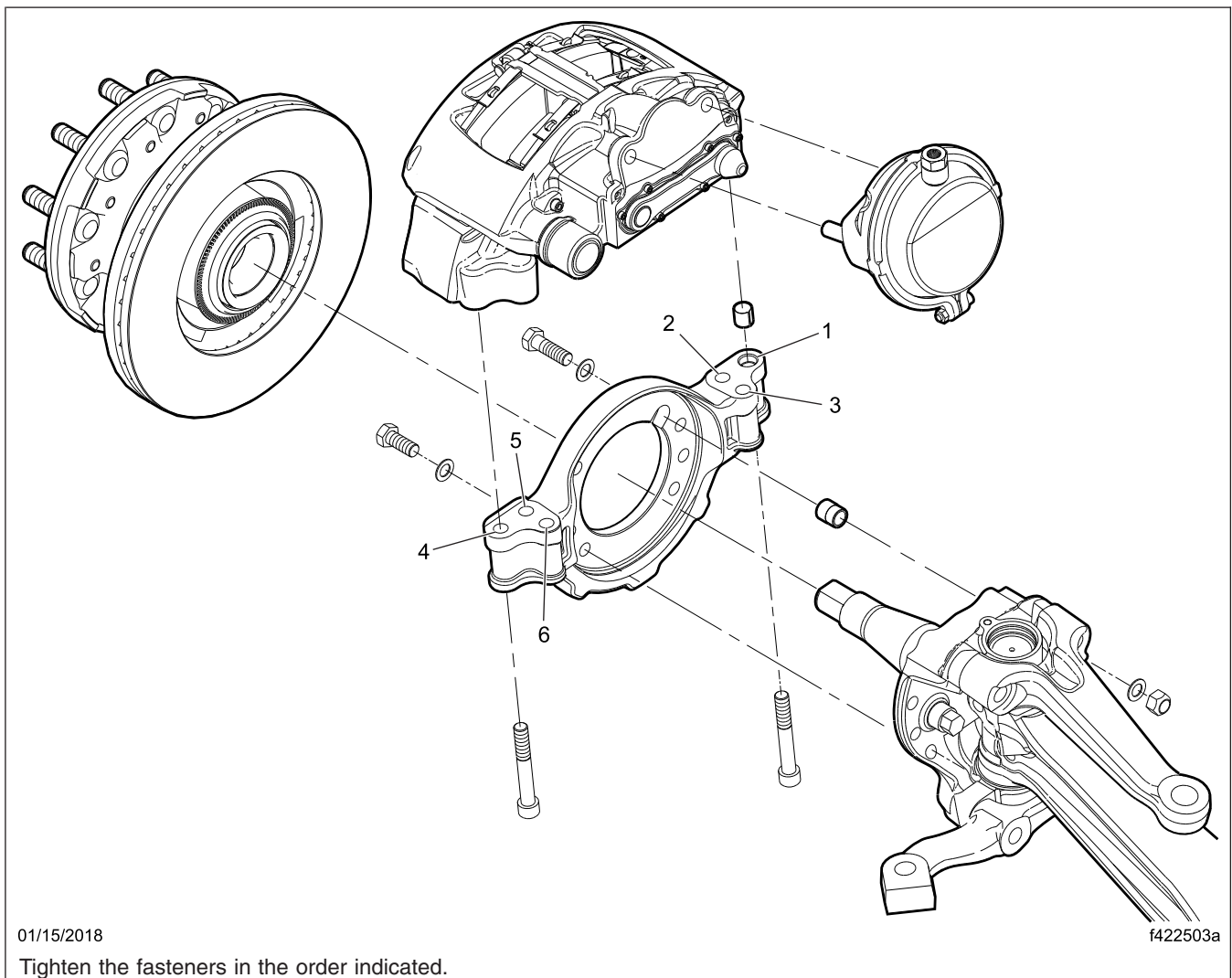
**IMPORTANT:** The caliper/carrier assemblies are left and right handed. Ensure that the correct assembly (left or right) is installed on each side of the vehicle.

6. Align each caliper/carrier assembly with the rotor by pushing the fixed pin side of the caliper against the shelf on the torque plate, then install the caliper/carrier assembly using new caliper mounting bolts. See [Fig. 2](#).

August 2018  
FL772A-K  
NHTSA #18V-353 (Non-School Bus)  
NHTSA #18V-352 (School Bus)  
Transport Canada #2018-285 (Non-School Bus)  
Transport Canada #2018-284 (School Bus)

NOTE: The tightening pattern will always start on the short (floating) pin side, with the bolt that passes through the shear sleeve.

7. Tighten the carrier mounting bolts in two steps, using the pattern shown in **Fig. 2**.
  - 7.1 Initially tighten all six bolts  $45\pm 5$  lbf·ft ( $61\pm 7$  N·m). Slide the caliper inboard and outboard, through the center of the chamber or brake. The caliper must have a minimum of 20 mm of travel. If the brake assembly does not move, or requires more than 40 pounds of force to move, the caliper has a binding issue. File a WSC ticket for instructions.
  - 7.2 Perform a final tightening spec of  $225\pm 22.5$  lbf·ft ( $305\pm 31$  N·m). Slide the caliper inboard and outboard, through the center of the chamber or brake. The caliper must have a minimum of 20 mm of travel. If the brake assembly does not move, or requires more than 40 pounds of force to move, the caliper has a binding issue. File a WSC ticket for instructions.



**Fig. 2, Bendix Radial Mounted Caliper**

August 2018  
FL772A-K  
NHTSA #18V-353 (Non-School Bus)  
NHTSA #18V-352 (School Bus)  
Transport Canada #2018-285 (Non-School Bus)  
Transport Canada #2018-284 (School Bus)

## NOTICE

**Do not use a motor driven tool to tighten the manual brake adjuster nut, or use excessive force to tighten the nut. Doing so could damage the manual brake adjuster nut.**

8. Install the brake pads. Provided it is good condition, use the brake pad hardware removed earlier.
9. Back off the adjuster nut three clicks.
10. Install the wheel assemblies.
11. Raise the vehicle, remove the jack stands, then lower the vehicle.
12. Charge the air system and check for leaks.

## WARNING

**Do not operate the vehicle until the brakes have been adjusted and checked for proper operation. To do so could result in inadequate or no braking ability, which could cause personal injury or death, and property damage.**

13. In a safe area, check for proper brake operation, as follows, before putting the vehicle in service.
  - 13.1 Apply and release the brakes several times to check for air leaks and proper operation.
  - 13.2 Perform six low-speed stops to ensure proper parts replacement and full vehicle control.
  - 13.3 Immediately after doing the above stops, check the rotor temperatures. Any rotors that are significantly cooler than others indicate a lack of braking effort on those wheels.
14. Clean a spot on the base label (Form WAR259). Write the recall number, FL772, on a completion sticker (Form WAR260), and attach it to the base label to indicate this recall has been completed.

## Front and Rear Caliper/Carrier Assembly Inspection and Installation - Meritor Axial Mounted Calipers

1. Remove all of the wheel assemblies.
2. Use the Meritor extension tool 3256B1354 and a torque wrench set to  $400\pm 50$  lbf-ft ( $542\pm 68$  N·m) and tighten the caliper mounting bolts. See [Table 3](#). If they do not turn, go to step 10. If they turn, go to step 3.
3. Remove the retainer pin, cotter pin, and brake pad retainer. Inspect the brake pad hardware to ensure it is in good condition. If it is not, file a WSC ticket for instructions.
4. Remove the brake pads.
5. Remove caliper bolts.

**IMPORTANT:** The caliper/carrier assemblies are left and right handed. Ensure that the correct assembly (left or right) is installed on each side of the vehicle.

**NOTE:** The Meritor axial mounted caliper is similar to the Bendix axial mounted caliper shown in [Fig. 1](#).

6. Align each caliper/carrier assembly with the rotor by pushing the caliper against the shelf on the torque plate, then install the caliper/carrier assembly using new caliper mounting bolts.

August 2018

FL772A-K

NHTSA #18V-353 (Non-School Bus)

NHTSA #18V-352 (School Bus)

Transport Canada #2018-285 (Non-School Bus)

Transport Canada #2018-284 (School Bus)

7. Tighten the carrier mounting bolts in two steps as follows.
  - 7.1 Start on one side of the caliper and tighten all of the bolts  $45\pm 5$  lbf·ft ( $61\pm 7$  N·m). Then tighten the bolts on the other side of the caliper  $45\pm 5$  lbf·ft ( $61\pm 7$  N·m). See [Fig. 1](#).
  - 7.2 Repeat this process, increasing the torque value to  $400\pm 50$  lbf·ft ( $542\pm 68$  N·m).

## NOTICE

**Do not use a motor driven tool to tighten the manual brake adjuster nut, or use excessive force to tighten the nut. Doing so could damage the manual brake adjuster nut.**

8. Install the brake pads. Provided it is good condition, use the brake pad hardware removed earlier.
9. Back off the adjuster nut three clicks.
10. Install the wheel assemblies.
11. Raise the vehicle, remove the jack stands, then lower the vehicle.
12. Charge the air system and check for leaks.

## WARNING

**Do not operate the vehicle until the brakes have been adjusted and checked for proper operation. To do so could result in inadequate or no braking ability, which could cause personal injury or death, and property damage.**

13. In a safe area, check for proper brake operation, as follows, before putting the vehicle in service.
  - 13.1 Apply and release the brakes several times to check for air leaks and proper operation.
  - 13.2 Perform six low-speed stops to ensure proper parts replacement and full vehicle control.
  - 13.3 Immediately after doing the above stops, check the rotor temperatures. Any rotors that are significantly cooler than others indicate a lack of braking effort on those wheels.
14. Clean a spot on the base label (Form WAR259). Write the recall number, FL772, on a completion sticker (Form WAR260), and attach it to the base label to indicate this recall has been completed.

## Front and Rear Caliper/Carrier Assembly Inspection and Installation - Meritor Radial Mounted Calipers

1. Remove all of the wheel assemblies.
2. Set a torque wrench to  $400\pm 50$  lbf·ft ( $542\pm 68$  N·m) and tighten the caliper mounting bolts. If they do not turn, go to step 10. If they turn, proceed to step 3.
3. Remove the retainer pin, cotter pin, and brake pad retainer. Inspect the brake pad hardware to ensure it is in good condition. If it is not, file a WSC ticket for instructions.
4. Remove the brake pads.
5. Remove caliper bolts.

August 2018

FL772A-K

NHTSA #18V-353 (Non-School Bus)

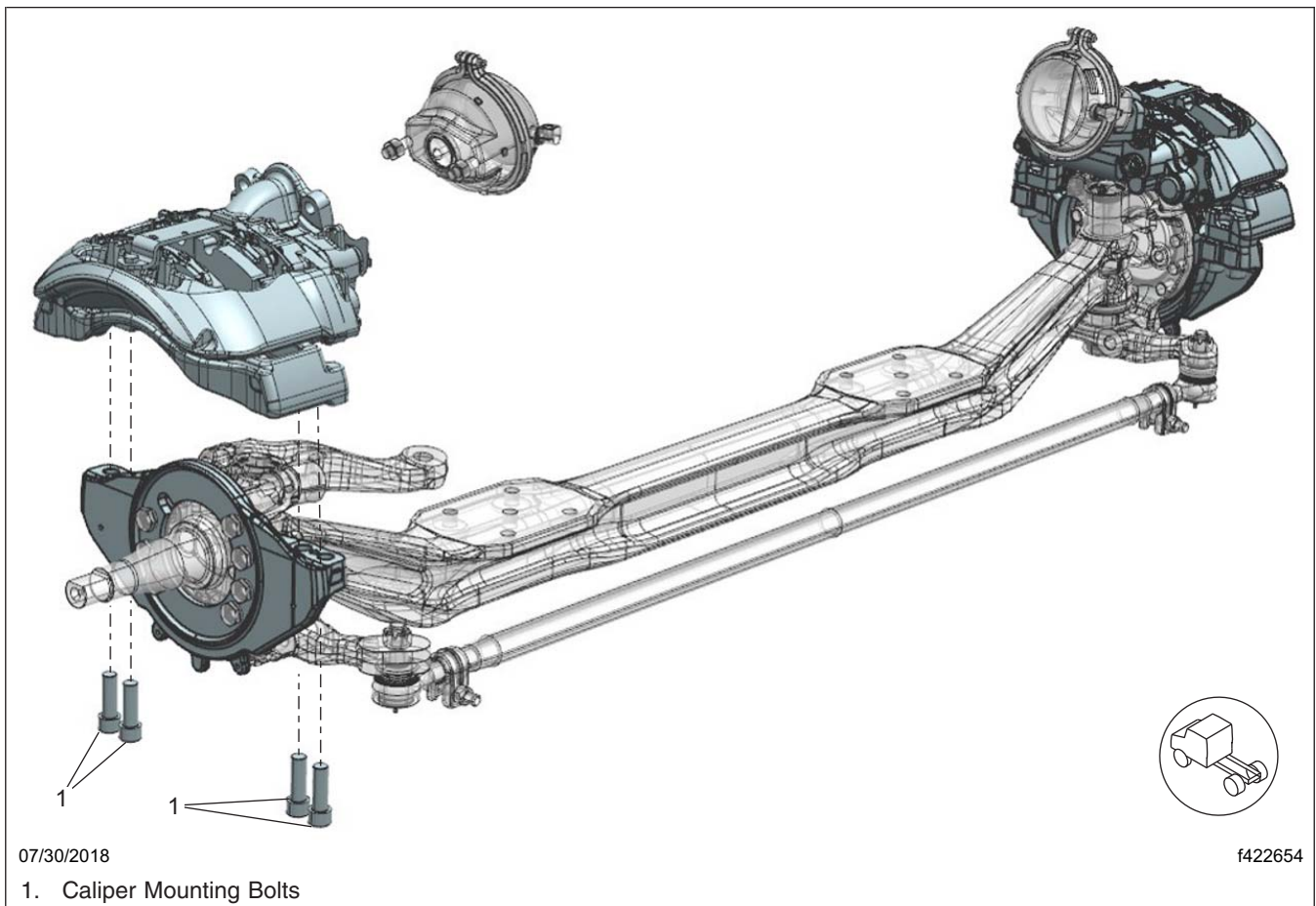
NHTSA #18V-352 (School Bus)

Transport Canada #2018-285 (Non-School Bus)

Transport Canada #2018-284 (School Bus)

**IMPORTANT:** The caliper/carrier assemblies are left and right handed. Ensure that the correct assembly (left or right) is installed on each side of the vehicle.

6. Align each caliper/carrier assembly with the rotor by pushing the fixed pin side of the caliper against the shelf on the torque plate, then install the caliper/carrier assembly using new caliper mounting bolts. See [Fig. 3](#) and [Fig. 4](#).



**Fig. 3, Meritor Radial Mounted Caliper**

August 2018  
FL772A-K  
NHTSA #18V-353 (Non-School Bus)  
NHTSA #18V-352 (School Bus)  
Transport Canada #2018-285 (Non-School Bus)  
Transport Canada #2018-284 (School Bus)

NOTE: The tightening pattern will always start on the short (floating) pin side, with the bolt that passes through the shear sleeve.

7. Tighten the carrier mounting bolts in two steps, using the pattern shown in [Fig. 4](#).
  - 7.1 Initially tighten all bolts  $45\pm 5$  lbf-ft ( $61\pm 7$  N-m). Slide the caliper inboard and outboard, through the center of the chamber or brake. The caliper must have a minimum of 20 mm of travel. If the brake assembly does not move, or requires more than 40 pounds of force to move, the caliper has a binding issue. File a WSC ticket for instructions.
  - 7.2 Perform a final tightening spec of  $400\pm 50$  lbf-ft ( $542\pm 68$  N-m). Slide the caliper inboard and outboard, through the center of the chamber or brake. The caliper must have a minimum of 20 mm of travel. If the brake assembly does not move, or requires more than 40 pounds of force to move, the caliper has a binding issue. File a WSC ticket for instructions.

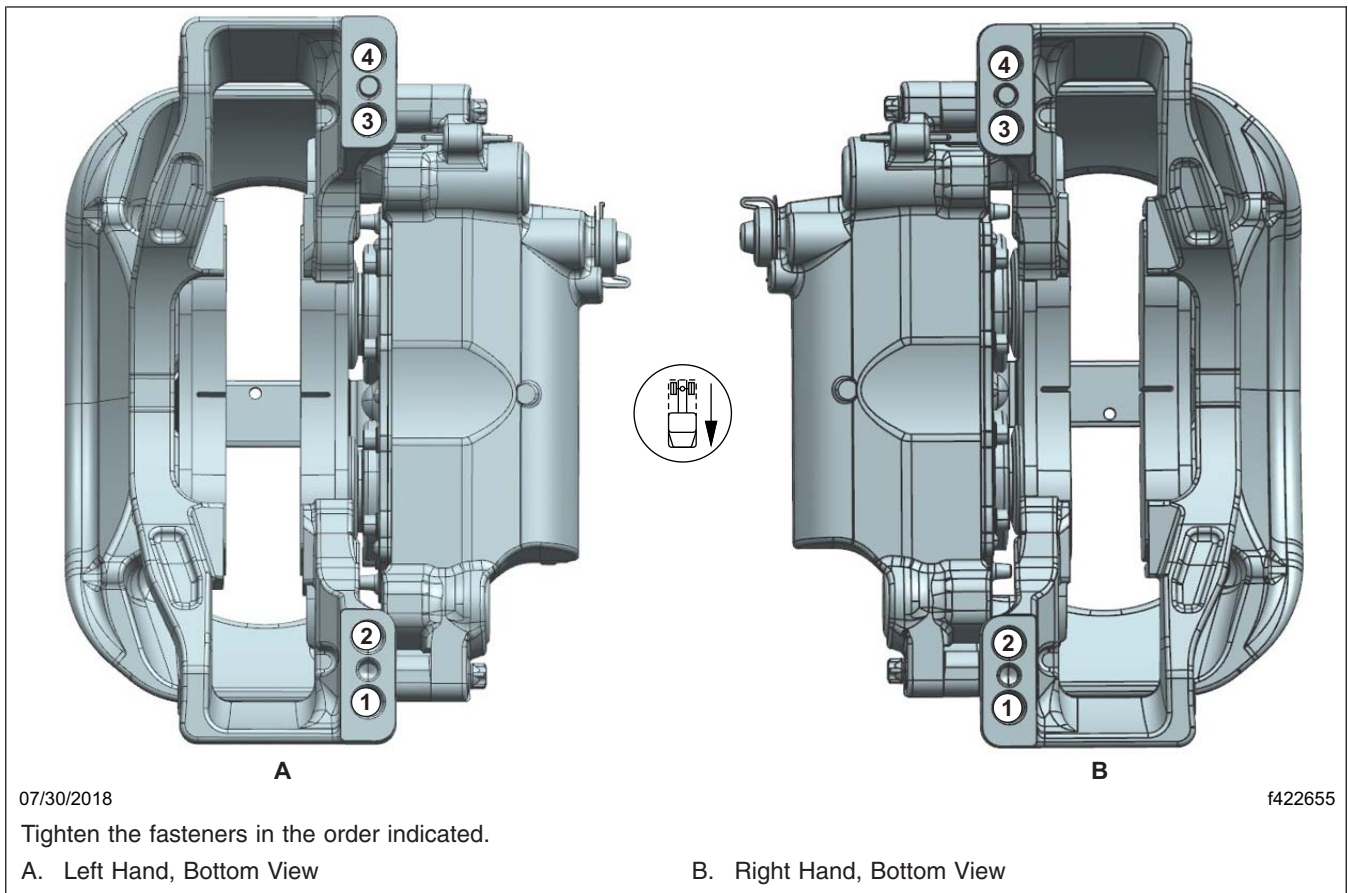


Fig. 4, Tightening Pattern, Meritor Caliper

August 2018  
FL772A-K  
NHTSA #18V-353 (Non-School Bus)  
NHTSA #18V-352 (School Bus)  
Transport Canada #2018-285 (Non-School Bus)  
Transport Canada #2018-284 (School Bus)

---

## NOTICE

**Do not use a motor driven tool to tighten the manual brake adjuster nut, or use excessive force to tighten the nut. Doing so could damage the manual brake adjuster nut.**

8. Install the brake pads. Provided it is good condition, use the brake pad hardware removed earlier.
9. Back off the adjuster nut three clicks.
10. Install the wheel assemblies.
11. Raise the vehicle, remove the jack stands, then lower the vehicle.
12. Charge the air system and check for leaks.

 **WARNING**

**Do not operate the vehicle until the brakes have been adjusted and checked for proper operation. To do so could result in inadequate or no braking ability, which could cause personal injury or death, and property damage.**

13. In a safe area, check for proper brake operation, as follows, before putting the vehicle in service.
  - 13.1 Apply and release the brakes several times to check for air leaks and proper operation.
  - 13.2 Perform six low-speed stops to ensure proper parts replacement and full vehicle control.
  - 13.3 Immediately after doing the above stops, check the rotor temperatures. Any rotors that are significantly cooler than others indicate a lack of braking effort on those wheels.
14. Clean a spot on the base label (Form WAR259). Write the recall number, FL772, on a completion sticker (Form WAR260), and attach it to the base label to indicate this recall has been completed.

## Front and Rear Caliper/Carrier Assembly Inspection and Installation - Wabco Maxxus Radial Mounted Calipers

1. Remove all of the wheel assemblies.
2. Set a torque wrench to  $295\pm 22$  lbf·ft ( $400\pm 30$  N·m) and tighten the caliper mounting bolts. If they do not turn, go to step 10. If they turn, proceed to step 3.
3. Remove the retainer pin, cotter pin, and brake pad retainer. Inspect the brake pad hardware to ensure it is in good condition. If it is not, file a WSC ticket for instructions.
4. Remove the brake pads.
5. Remove caliper bolts.

August 2018  
FL772A-K  
NHTSA #18V-353 (Non-School Bus)  
NHTSA #18V-352 (School Bus)  
Transport Canada #2018-285 (Non-School Bus)  
Transport Canada #2018-284 (School Bus)

IMPORTANT: The caliper/carrier assemblies are left and right handed. Ensure that the correct assembly (left or right) is installed on each side of the vehicle.

- Align each caliper/carrier assembly with the rotor by pushing the fixed pin side of the caliper against the shelf on the torque plate, then install the caliper/carrier assembly using new caliper mounting bolts. See [Fig. 5](#) and [Fig. 6](#).

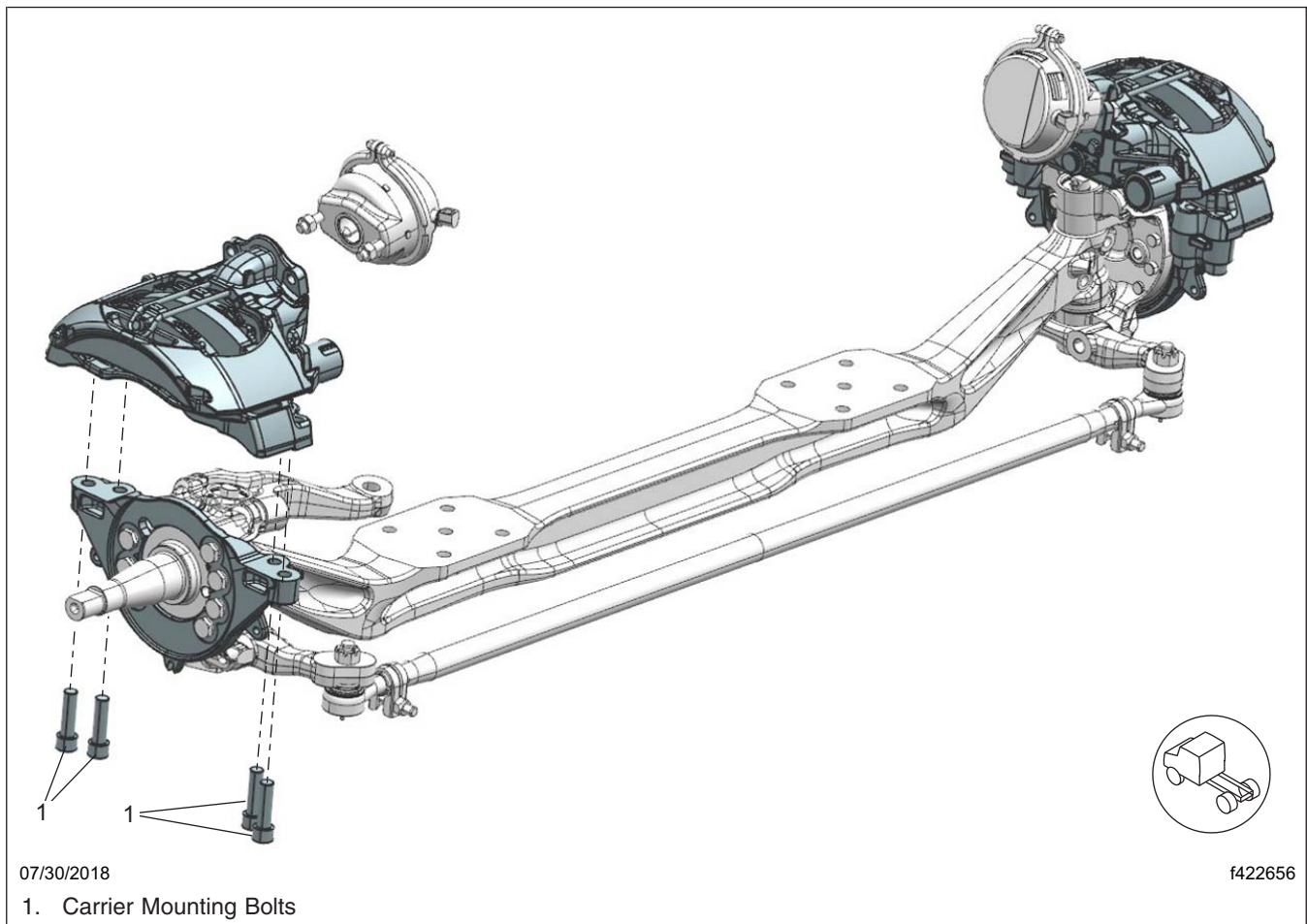


Fig. 5, Wabco Maxxus Radial Mounted Calipers

August 2018  
FL772A-K  
NHTSA #18V-353 (Non-School Bus)  
NHTSA #18V-352 (School Bus)  
Transport Canada #2018-285 (Non-School Bus)  
Transport Canada #2018-284 (School Bus)

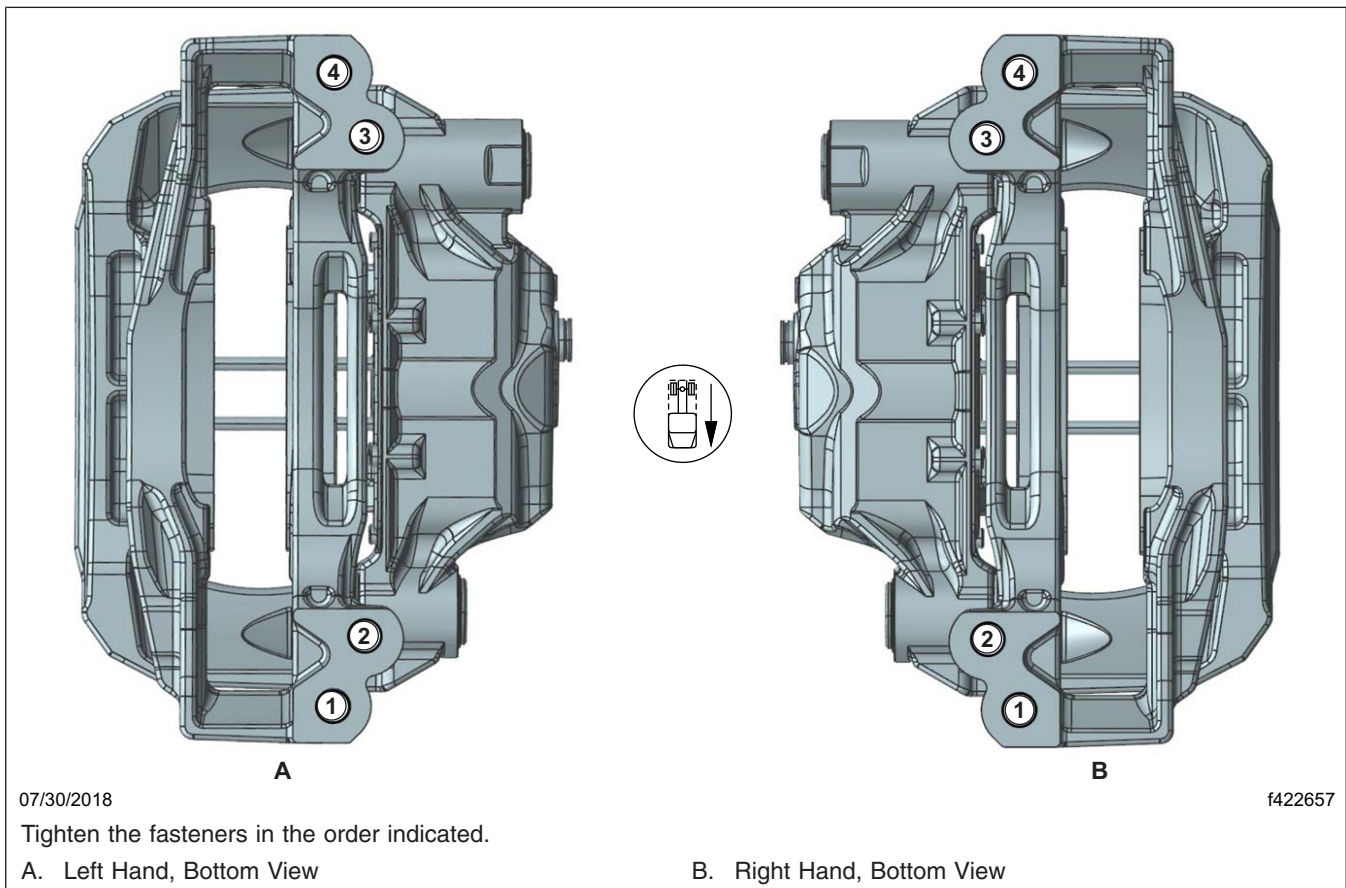
NOTE: The tightening pattern will always start on the short (floating) pin side, with the bolt that passes through the sheer sleeve.

7. Tighten the carrier mounting bolts in two steps, using the pattern shown in **Fig. 6**.
  - 7.1 Initially tighten all bolts  $45\pm 5$  lbf-ft ( $61\pm 7$  N·m). Slide the caliper inboard and outboard, through the center of the chamber or brake. The caliper must have a minimum of 20 mm of travel. If the brake assembly does not move, or requires more than 40 pounds of force to move, the caliper has a binding issue. File a WSC ticket for instructions.
  - 7.2 Perform a final tightening spec of  $295\pm 22$  lbf-ft ( $400\pm 30$  N·m). Slide the caliper inboard and outboard, through the center of the chamber or brake. The caliper must have a minimum of 20 mm of travel. If the brake assembly does not move, or requires more than 40 pounds of force to move, the caliper has a binding issue. File a WSC ticket for instructions.

## NOTICE

**Do not use a motor driven tool to tighten the manual brake adjuster nut, or use excessive force to tighten the nut. Doing so could damage the manual brake adjuster nut.**

8. Install the brake pads. Provided it is good condition, use the brake pad hardware removed earlier.



**Fig. 6, Wabco Maxxus Radial Mounted Caliper Tightening Pattern**

August 2018

FL772A-K

NHTSA #18V-353 (Non-School Bus)

NHTSA #18V-352 (School Bus)

Transport Canada #2018-285 (Non-School Bus)

Transport Canada #2018-284 (School Bus)

9. Back off the adjuster nut three clicks.
10. Install the wheel assemblies.
11. Raise the vehicle, remove the jack stands, then lower the vehicle.
12. Charge the air system and check for leaks.

 **WARNING**

**Do not operate the vehicle until the brakes have been adjusted and checked for proper operation. To do so could result in inadequate or no braking ability, which could cause personal injury or death, and property damage.**

13. In a safe area, check for proper brake operation, as follows, before putting the vehicle in service.
  - 13.1 Apply and release the brakes several times to check for air leaks and proper operation.
  - 13.2 Perform six low-speed stops to ensure proper parts replacement and full vehicle control.
  - 13.3 Immediately after doing the above stops, check the rotor temperatures. Any rotors that are significantly cooler than others indicate a lack of braking effort on those wheels.
14. Clean a spot on the base label (Form WAR259). Write the recall number, FL772, on a completion sticker (Form WAR260), and attach it to the base label to indicate this recall has been completed.

August 2018  
FL772A-K  
NHTSA #18V-353 (Non-School Bus)  
NHTSA #18V-352 (School Bus)  
Transport Canada #2018-285 (Non-School Bus)  
Transport Canada #2018-284 (School Bus)

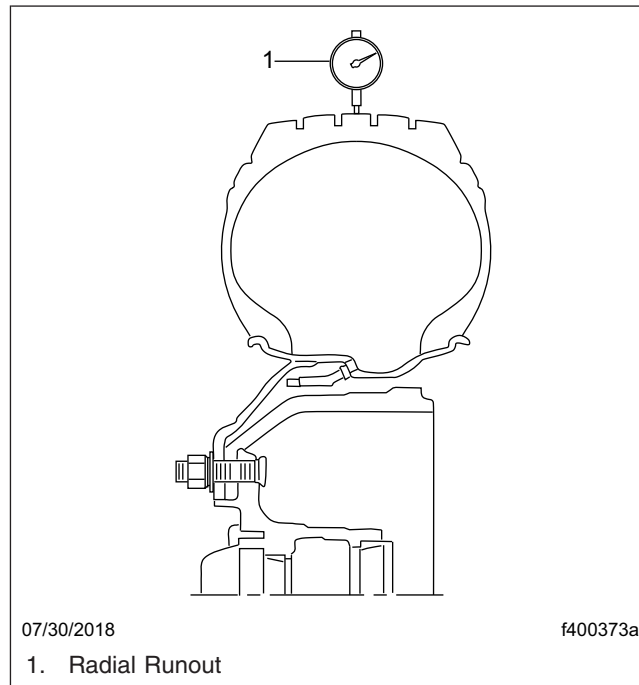
## Bendix Axial Caliper/Carrier Assembly Inspection and Installation- XB, XC, EFX and HDX model vehicles

**NOTE:** Vehicles in FL772G (XC chassis) have ZF independent front axle calipers and Bendix axial rear calipers. No work is required on the ZF front axle calipers. Inspect the Bendix rear calipers only.

### DANGER

When working on the vehicle, shut down the engine, set the parking brake, and chock the tires. Before working under the vehicle, always place jack stands under the frame rails to ensure the vehicle cannot drop. Failure to follow these steps could result in serious personal injury or death.

1. Remove one wheel and check radial runout before removing the next wheel.
2. Using a tire runout gauge, check the radial runout. See [Fig. 7](#). Write down the measurement for later use to avoid vibration complaints.



**Fig. 7, Radial Runout Check for Tires**

August 2018

FL772A-K

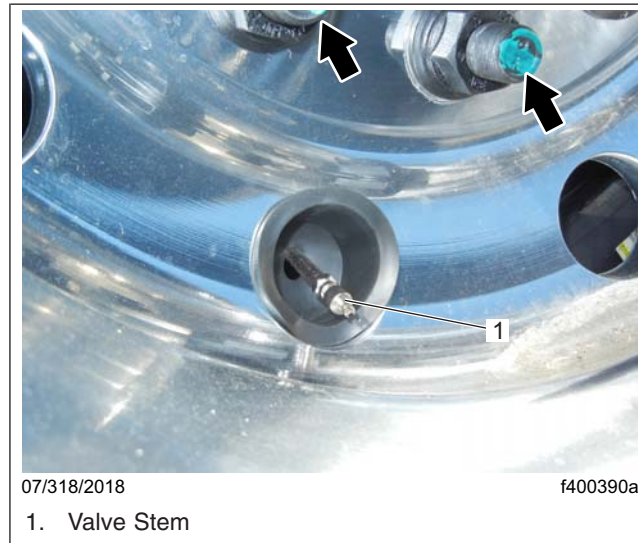
NHTSA #18V-353 (Non-School Bus)

NHTSA #18V-352 (School Bus)

Transport Canada #2018-285 (Non-School Bus)

Transport Canada #2018-284 (School Bus)

3. Mark the two studs closest to the valve stem as shown in **Fig. 8**, for proper wheel assembly location when reinstalling the wheel assembly on the hub.



**Fig. 8, Marking Wheel Studs**

4. Remove the lug nuts, then remove the wheel assembly.

**IMPORTANT:** Before removing the brake pads, it is recommended to check the adjuster mechanism for proper operation.

5. Inspect the caliper mounting bolts by hand to see if they are loose.
  - 5.1 If the M20 X 2.5 caliper mounting bolts are loose, proceed to step 6.
  - 5.2 If the M20 X 2.5 caliper mounting bolts are hand tight, set a torque wrench to  $375\pm 20$  lbf-ft ( $508\pm 27$  N·m) and tighten the bolts. If the bolts do not turn, go to step X. If the bolts turn, proceed to step 6.
6. Remove the retainer pin, cotter pin, and brake pad retainer. Inspect the brake pad hardware to ensure it is in good condition. If it is not, file a WSC ticket for instructions.
7. Remove the brake pads.
8. Remove the caliper bolts and washers (if installed) and discard.

**IMPORTANT:** The caliper/carrier assemblies are left and right handed. Ensure that the correct assembly (left or right) is installed on each side of the vehicle.
9. Align the caliper/carrier assembly with the rotor, pushing the fixed pin-side of the caliper against the shelf on the torque plate, then install the caliper/carrier assembly using new caliper mounting bolts and washers. See **Table 1** for parts information. See **Fig. 1** for an example of the front caliper/carrier assembly.
10. Tighten the M20 X 2.5 carrier mounting bolts in two steps.
  - 10.1 Initially tighten all six bolts 40 to 60 lbf-ft (54 to 81 N·m). Slide the caliper inboard and outboard, through the center of the chamber or brake. The caliper must have a minimum of 20 mm of travel. If the brake assembly does not move, or requires more than 40 pounds of force to move, the caliper has a binding issue. File a WSC ticket for instructions.

August 2018

FL772A-K

NHTSA #18V-353 (Non-School Bus)

NHTSA #18V-352 (School Bus)

Transport Canada #2018-285 (Non-School Bus)

Transport Canada #2018-284 (School Bus)

- 10.2 Perform a final tightening spec of  $375\pm 20$  lbf·ft ( $508\pm 27$  N·m). Slide the caliper inboard and outboard, through the center of the chamber or brake. The caliper must have a minimum of 20 mm of travel. If the brake assembly does not move, or requires more than 40 pounds of force to move, the caliper has a binding issue. File a WSC ticket for instructions.

---

## NOTICE

---

**Do not use a motor driven tool to tighten the manual brake adjuster nut, or use excessive force to tighten the nut. Doing so could damage the manual brake adjuster nut.**

11. Install the brake pads. Provided it is good condition, use the brake pad hardware removed earlier.
12. Back off the adjuster nut three clicks.
13. Using the two studs marked earlier as a guide, install the wheel assembly. When correctly installed, a line drawn from the valve stem through the center of the wheel assembly should go between the two marked studs.
14. Using a tire runout gauge, measure and record the radial runout of the tire and wheel assembly. Mark the highest point on the tire and wheel assembly. Rotate the tire and wheel assembly until the high spot is at the 12 o'clock position (without allowing the assembly to turn). Loosen all lug nuts to let the assembly settle, then tighten the lug nuts in the proper sequence. See Group 40 of the applicable vehicle maintenance manual for the tightening sequence. The radial runout should be very close to what was recorded in step 4. If not, repeat this step. Record the "final" radial runout, note the wheel location, and include the information in the recall claim in OWL.
15. Perform the steps above for each wheel location (based on the population letter) until all wheel locations have been inspected and repaired if needed.
16. Raise the vehicle, remove the jack stands, then lower the vehicle.
17. Charge the air system and check for leaks.

 **WARNING**

**Do not operate the vehicle until the brakes have been adjusted and checked for proper operation. To do so could result in inadequate or no braking ability, which could cause personal injury or death, and property damage.**

18. In a safe area, check for proper brake operation, as follows, before putting the vehicle in service.
  - 18.1 Apply and release the brakes several times to check for air leaks and proper operation.
  - 18.2 Perform six low-speed stops to ensure proper parts replacement and full vehicle control.
  - 18.3 Immediately after doing the above stops, check the rotor temperatures. Any rotors that are significantly cooler than others indicate a lack of braking effort on those wheels.
19. Clean a spot on the base label (Form WAR259), write the recall number, FL772, on a red completion sticker (Form WAR260), and attach it to the base label, indicating this work has been completed.