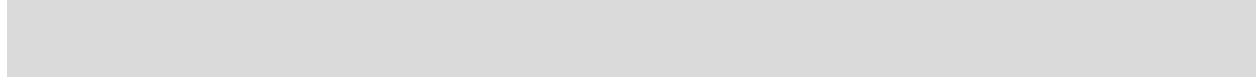




**SAFETY  
RECALL**

**SR17-31**

DATE :	May 2018	SECTION :	23 ACCESSORIES
SUBJECT:	2½ lb AND 5 lb FIRE EXTINGUISHER REPLACEMENT		



REFER TO PART A, B OR C ACCORDING TO THE VEHICLE MODEL			
PART	VEHICLE MODELS		PAGE #
<b>A</b>	SEATED COACHES	H3-45 X3-45	<b>2</b>
<b>B</b>	CONVERTED VEHICLES	XLII-45 VIP MOTOR HOMES XLII-45 ENTERTAINER X3-45 VIP MOTOR HOMES X3-45 VIP COMMERCIAL USE H3-45 VIP MOTOR HOMES	<b>4</b>
<b>C</b>	COMMUTERS	X3-45	<b>6</b>

**NOTICE TO SERVICE CENTERS**

*Verify vehicle eligibility by checking warranty bulletin status with **SAP** or via **ONLINE WARRANTY SYSTEM** available on Service / Warranty tab of PrevoSt website.*

**This Safety Recall does not necessarily apply to all the mentioned vehicles, some vehicles may have been modified before delivery. The owners of the vehicles affected by this recall will be advised by a letter indicating the Vehicle Identification Number (VIN) of each vehicle concerned.**

<b>NOTE</b>
<i>Material can be obtained through regular channels.</i>



2. Replace all existing 2½ lb fire extinguishers with plastic handle and valve p/n 901360 (Figure 2) with the new 2½ lb fire extinguishers with the metal handle and valve (Figure 3).



FIGURE 2



FIGURE 3

3. To avoid interference between the handle and the seat, orientate both new extinguisher handles down as shown on Figure 4.
4. Bulletin is complete for these vehicle models.

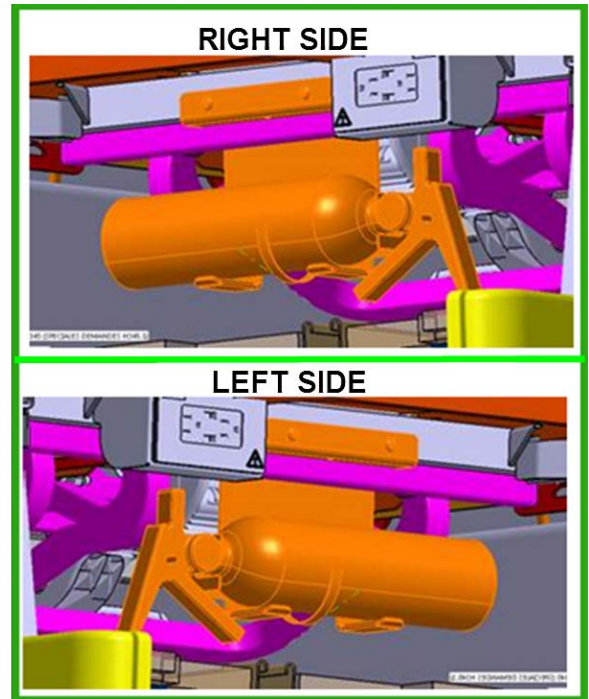


FIGURE 4



6. Replace all existing 2½ lb fire extinguishers with plastic handle and valve p/n 901360 (Figure 6) with the new 2½ lb fire extinguishers with the metal handle and valve (Figure 7).



FIGURE 6



FIGURE 7

7. To avoid interference between the metal handle of the first fire extinguisher and the cylinder of the second fire extinguisher, turn slightly and apply the same angle to both fire extinguishers (Figure 8).
8. Bulletin is complete for these vehicle models.

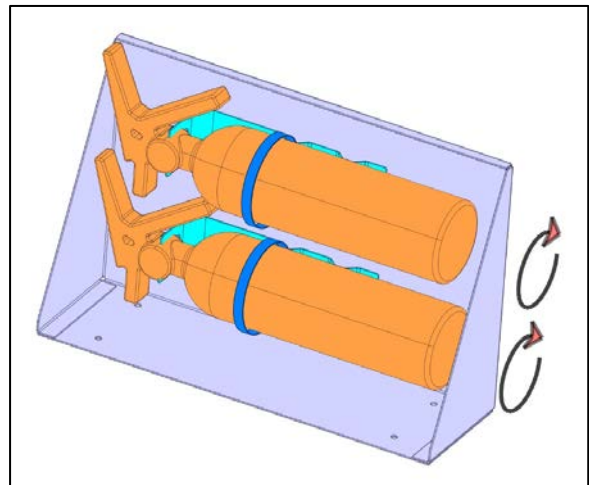



FIGURE 8

## C. COMMUTERS

### APPLICATION

Model	<div style="text-align: center;">   <b>VIN</b> </div>
X3-45 Commuter Model Years : 2014, 2015, 2018	-    -    -    -    -    -

### DESCRIPTION

On vehicles affected by this recall, the 5 lb fire extinguisher equipped with a plastic handle and plastic valve has to be replaced by a new fire extinguisher equipped with a metal handle and a metal valve.

### MATERIAL

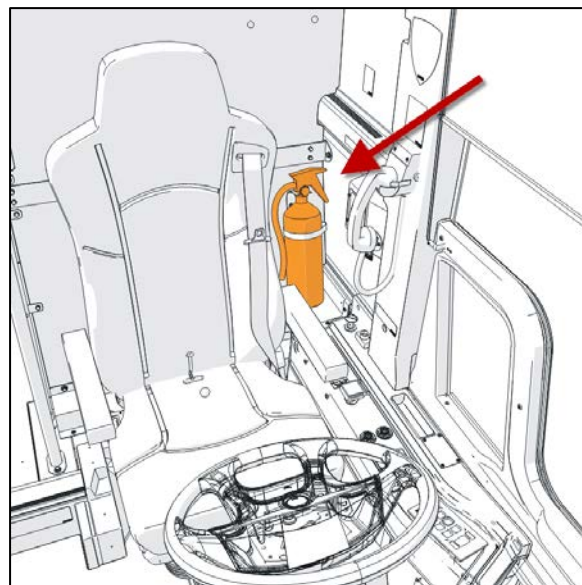
Order kit according to your country, which contains the following parts:

COUNTRY	KIT TO ORDER	PART NO.	DESCRIPTION	QTY
CANADA	<b>SR17-31_2</b>	901413	5 lb Fire extinguisher (Canadian use)	1
USA	<b>SR17-31_2_US</b>	901407	5 lb Fire extinguisher (USA use)	1

### PROCEDURE

9. Locate the existing 5-lb fire extinguisher behind the driver's seat of the vehicle.

<b>NOTE</b>
Figure 9 shows the installation when the vehicle was delivered. Location of the fire extinguisher might be different.



**FIGURE 9**

10. Check the handle and valve on the existing fire extinguisher.
11. If the extinguisher is equipped with a plastic handle and plastic valve (Figure 10), move to step 12, otherwise the bulletin is complete.

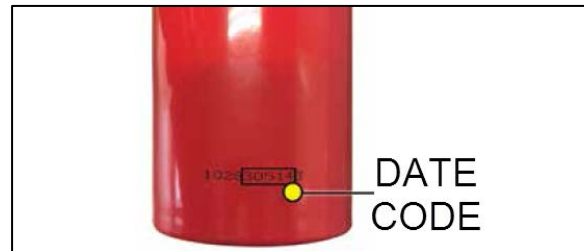
**NOTE**

Figure 11 shows the location of the 10-digit date code on the side of the cylinder. Digits 5 through 9 represent the day and year.

All fire extinguishers with the date code XXXX29715X (October 24, 2015) or later have to be replaced.



**FIGURE 10**



**FIGURE 11**

12. Replace existing 5 lb fire extinguisher with the plastic handle and valve (Figure 10) with the new 5 lb fire extinguisher with the metal handle and valve (Figure 12).
13. Bulletin is complete for this vehicle model.



**FIGURE 12**

## Parts disposition

DO NOT RETURN THE REPLACED PARTS. Discard waste according to applicable environmental regulations (Municipal/State[Prov.]/ Federal)

## WARRANTY

This modification is covered by normal warranty of Prevost. We will reimburse you the parts upon receipt of a completed A.F.A. Please submit claim via our Online Warranty System, available at [www.prevostcar.com](http://www.prevostcar.com) (under service \ warranty section). Use Claim Type: "Bulletin/Recall" and select "Safety Recall OBSR17-31".

Should you only wish to close the safety recall (without reimbursement), fill-in the "Safety Recall Certification Sheet" provided with this bulletin and return it to our warranty department by email at [prevost.onlinewarranty@volvo.com](mailto:prevost.onlinewarranty@volvo.com) or by fax at 418-831-9301.

## OTHER

VBC Bulletin	N/A
Fail Code	23.08
Defect Code	09
Syst.Cond	R
Causal Part	901360

Access all our service bulletins on <http://techpub.prevostcar.com/en/> or scan the QR-Code with your smart phone.  
E-mail us at [technicalpublications\\_prev@volvo.com](mailto:technicalpublications_prev@volvo.com) and type "ADD" in the subject to receive our warranty bulletins by e-mail.



