



PREVOST

**SAFETY
RECALL**

SR17-31B

DATE :	May 2018	SECTION :	23 ACCESSORIES
SUBJECT:	2½ lb AND 5 lb FIRE EXTINGUISHER REPLACEMENT		

Revision: B

Images added for better identification of extinguisher

2022-12-22

REFER TO PART A, B OR C ACCORDING TO THE VEHICLE MODEL			
PART	VEHICLE MODELS		PAGE #
A	SEATED COACHES	H3-45 X3-45	2
B	CONVERTED VEHICLES	XLII-45 VIP MOTOR HOMES XLII-45 ENTERTAINER X3-45 VIP MOTOR HOMES X3-45 VIP COMMERCIAL USE H3-45 VIP MOTOR HOMES	5
C	COMMUTERS	X3-45	8

NOTICE TO SERVICE CENTERS

*Verify vehicle eligibility by checking warranty bulletin status with **SAP** or via **ONLINE WARRANTY SYSTEM** available on Service / Warranty tab of PrevoSt website.*

This Safety Recall does not necessarily apply to all the mentioned vehicles, some vehicles may have been modified before delivery. The owners of the vehicles affected by this recall will be advised by a letter indicating the Vehicle Identification Number (VIN) of each vehicle concerned.

NOTE

Material can be obtained through regular channels.

A. SEATED COACHES

APPLICATION

Model	VIN
H3-41, H3-45 coaches Model Year: 2010 - 2018	From 2PCH3349XA [REDACTED] to 2PCH33493JC [REDACTED] incl.
X3-45 coaches Model Year: 2010 - 2018	From 2PCG33497A [REDACTED] to 2PCG33499JC [REDACTED] incl.
X3-45 coaches Model Year: 2016 - 2017	From 4RKG33499G9 [REDACTED] to 4RKG33498J [REDACTED] incl.

DESCRIPTION

On vehicles affected by this recall, all 2½ lb fire extinguishers (p/n 901360) equipped with a straight plastic handle and vertical pull pin have to be replaced by fire extinguishers equipped with a metal handle and metal pull pin.

MATERIAL

Order one kit per vehicle according to your country:

COUNTRY	KIT TO ORDER
CANADA	SR17-31
USA	SR17-31_US

Kits contain the following parts:

KIT	PART NO.	DESCRIPTION	QTY per KIT
SR17-31	900267	2½ lb Fire extinguisher (Canadian use)	2
SR17-31_US	900374	2½ lb Fire extinguisher (USA use)	2

PROCEDURE

1. Locate all the existing 2½ lb fire extinguishers on the vehicle (Figure 1).

NOTE

All vehicles should have at least two fire extinguishers. There is one on the left side of the aisle and one on the right side of the aisle. Check the vehicle configuration for the exact amount of fire extinguishers.

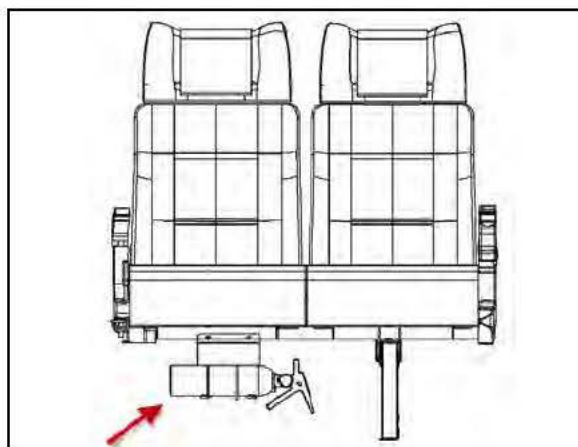


FIGURE 1

2. Replace all existing 2½ lb fire extinguishers with straight plastic handle and vertical pull pin (Figure 2) with the new 2½ lb fire extinguishers with the metal handle and metal pull pin (Figure 3).



FIGURE 2: RECALLED EXTINGUISHER TYPE



FIGURE 3: REPLACEMENT EXTINGUISHER

3. To avoid interference between the handle and the seat, orientate both new extinguisher handles down as shown on Figure 4.
4. Bulletin is complete for these vehicle models.

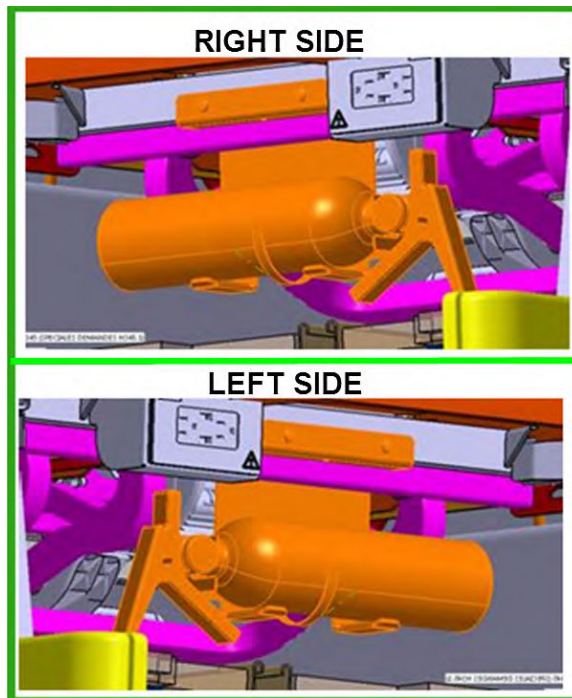


FIGURE 4

B. CONVERTED VEHICLES

APPLICATION

Model	VIN
XLII-45 VIP motorhomes Model Year: 2011	From 2PCWS3498BC [REDACTED] to 2PCW33496BC [REDACTED] incl.
XLII-45 Entertainer Model Year: 2010 - 2013	From 2PCY33493AC [REDACTED] to 2PCYS3498DC [REDACTED] incl.
X3-45 VIP motorhomes Model Year: 2012 - 2018	From 2PCBS3499CC [REDACTED] to 2PCBS3498JC [REDACTED] incl.
X3-45 VIP commercial use Model Year: 2014 - 2018	From 2PCCS3497EC [REDACTED] to 2PCCS349XJC [REDACTED] incl.
H3-45 VIP motorhomes Model Year: 2010 - 2018	From 2PCV3349XAC [REDACTED] to 2PCV33490JC [REDACTED] incl.

DESCRIPTION

On vehicles affected by this recall, all 2½ lb fire extinguishers (p/n 901360) equipped with a straight plastic handle and vertical pull pin have to be replaced by fire extinguishers equipped with a metal handle and a metal pull pin.

MATERIAL

Order one kit per vehicle according to your country

COUNTRY	KIT TO ORDER
CANADA	SR17-31
USA	SR17-31_US

Kits contain the following parts:

KIT	PART NO.	DESCRIPTION	QTY per KIT
SR17-31	900267	2½ lb Fire extinguisher (Canadian use)	2
SR17-31_US	900374	2½ lb Fire extinguisher (USA use)	2

PROCEDURE

1. Locate all the existing 2½ lb fire extinguishers on the vehicle.

NOTES

All vehicles should have at least two fire extinguishers. Check the vehicle configuration for the exact number of fire extinguishers.

FIGURE 5 shows a typical installation when the vehicle is delivered to the converter partner. Location of the fire extinguishers might be different.



FIGURE 5

2. Replace all existing 2½ lb fire extinguishers with straight plastic handle and vertical pull pin (Figure 6) with the new 2½ lb fire extinguishers with the metal handle and metal pull pin (Figure 7).



FIGURE 6: RECALLED EXTINGUISHER TYPE



FIGURE 7: REPLACEMENT EXTINGUISHER

3. To avoid interference between the metal handle of the first fire extinguisher and the cylinder of the second fire extinguisher, turn slightly and apply the same angle to both fire extinguishers (Figure 8).
4. Bulletin is complete for these vehicle models.

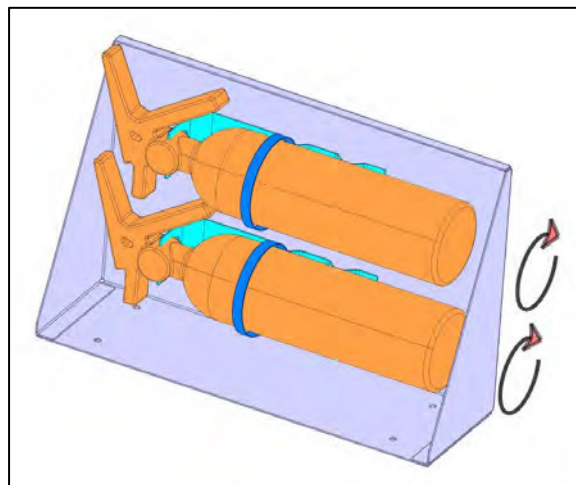



FIGURE 8

C. COMMUTERS

APPLICATION

Model	VIN 
X3-45 Commuter Model Years : 2014, 2015, 2018	2PCG33491E[REDACTED], 4RKG33495F[REDACTED], 4RKG3349XJ[REDACTED]

DESCRIPTION

On vehicles affected by this recall, the 5 lb fire extinguisher equipped with a plastic handle and vertical pull pin has to be replaced by a new fire extinguisher equipped with a metal handle and a metal pull pin.

MATERIAL

Order one kit per vehicle according to your country. Kits contain the following parts:

COUNTRY	KIT TO ORDER	PART NO.	DESCRIPTION	QTY
CANADA	SR17-31_2	901413	5 lb Fire extinguisher (Canadian use)	1
USA	SR17-31_2_US	901407	5 lb Fire extinguisher (USA use)	1

PROCEDURE

1. Locate the existing 5-lb fire extinguisher behind the driver's seat of the vehicle.

NOTE

Figure 9 shows the installation when the vehicle was delivered. Location of the fire extinguisher might be different.

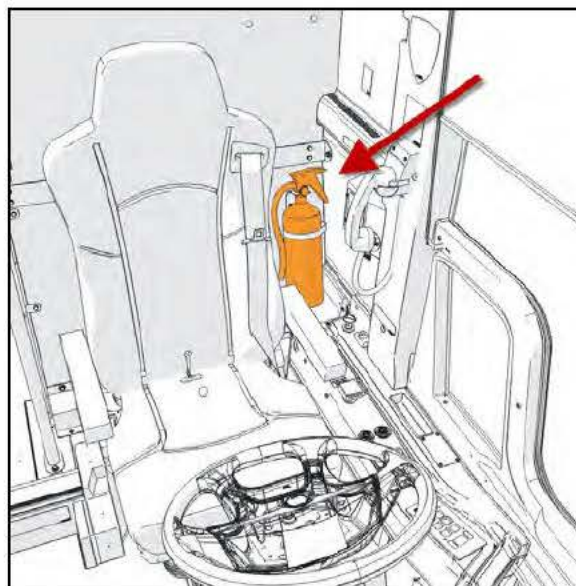


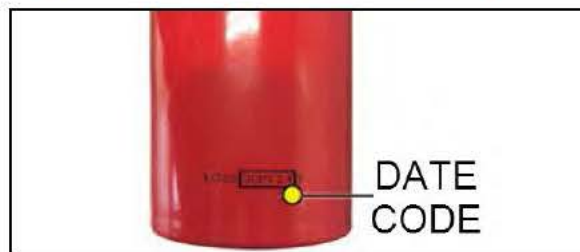
FIGURE 9

2. Check the handle and pull pin on the existing fire extinguisher.
3. If the extinguisher is equipped with a plastic handle and vertical pull pin (Figure 10), move to step 4, otherwise the bulletin is complete.

NOTE

Figure 11 shows the location of the 10-digit date code on the side of the cylinder. Digits 5 through 9 represent the day and year.

All fire extinguishers with the date code XXXX29715X (October 24, 2015) or later have to be replaced.



4. Replace existing 5 lb fire extinguisher with the plastic handle and vertical pull pin (Figure 10) with the new 5 lb fire extinguisher with the metal handle and metal pull pin (Figure 12).
5. Bulletin is complete for this vehicle model.



Parts disposition

DO NOT RETURN THE REPLACED PARTS. Discard waste according to applicable environmental regulations (Municipal/State[Prov.]/ Federal)

WARRANTY

This modification is covered by normal warranty of Prevost. We will reimburse you the parts upon receipt of a completed A.F.A. Please submit claim via our Online Warranty System, available at www.prevostcar.com (under service \ warranty section). Use Claim Type: "Bulletin/Recall" and select "Safety Recall OBSR17-31".

Should you only wish to close the safety recall (without reimbursement), fill-in the "Safety Recall Certification Sheet" provided with this bulletin and return it to our warranty department by email at prevost.onlinewarranty@volvo.com or by fax at 418-831-9301.

OTHER

VBC Bulletin	N/A
Fail Code	23.08
Defect Code	09
Syst.Cond	R
Causal Part	901360

Access all our service bulletins on <http://techpub.prevostcar.com/en/> or scan the QR-Code with your smart phone.
E-mail us at **technicalpublications_prev@volvo.com** and type "ADD" in the subject to receive our warranty bulletins by e-mail.



