

From: Broadcast Messaging System
To: [DL-BMS Message Monitors](#)
Subject: R 1200 GS Adv Case Carrier Recall 17V-481
Date: Friday, October 27, 2017 1:54:47 PM

Publish Date: October 27, 2017
From: Motorcycles
Expiration Date: November 17, 2017

DCSnet
Message
Important





Subject: **R 1200 GS Adv Case Carrier Recall 17V-481**

Update on R 1200 GSA ADV SA 680 Luggage Carrier Recall

Please note the following update regarding the availability of part for SA 680 Luggage Carrier Recall:

- First parts for R 1200 GSA ADV will be released today. This shipment will include all parts required for the installation of the Carrier Bracket.
- Dealers have been allocated parts to repair each reported sold unit from the start of the recall in July to present.
- Dealers have also been allocated parts equal to 50% of their new R 1200 GS ADV inventory..
- Additional parts are in production and will be received in November. The remaining 50% of dealer inventory will be sent at that time.
- Reflectors for Aluminum cases must be ordered separately.

Attached you will find Service Bulletin 63 001 17 with full repair and parts information.

Attachments:  [63_001_17_Recall_17V_481_Retrofitting_Case_Holder_Reflectors\[81aa25d9\].pdf](#)
 [63_001_17_Recall_17V_481_Retrofitting_Case_Holder_Reflectors\[81aa25d9\].pdf](#)

Recipients: BMW Motorcycles, CC-MotorcycleMailingList
BMW Motorcycles, All Offerings, All Regions, All Areas, All Departments, All Personnel



BMW Motorrad
 bmw-motorrad.com



Recall 17V - 481

Retrofitting case holder and/or Aluminum case reflectors.

R 1200 GS (K50, K50/11)
R 1200 GS Adventure (K51)

- Leadership circle

- Marketing

- Sale
New motorcycles

- Sale
Used motorcycles

- Aftersales

- Administration

Service Information No. SI 63 001 17

Service Information No. SI 63 001 17

Recall 17V- 481 Retrofitting case holder and/or Aluminum case reflectors.

Details

In the course of quality observations, BMW Motorrad has established that the optional case holder for the aluminum cases without cases installed and the aluminum cases when installed on the case holder affects the visibility of the rear side reflectors that are statutorily required.

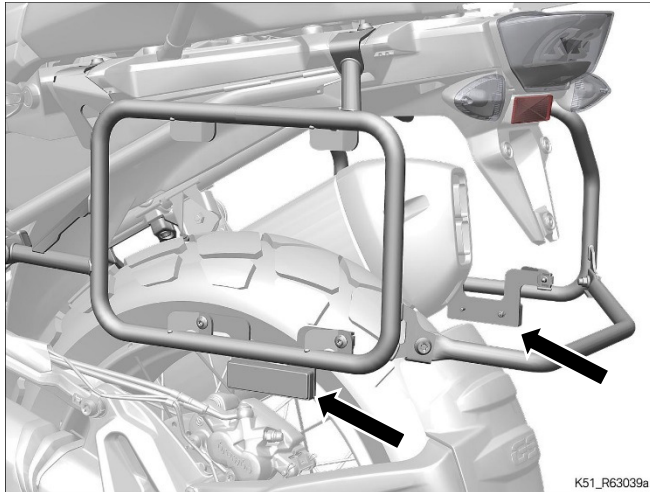


Fig.1: Reflectors on the case holder (arrows)

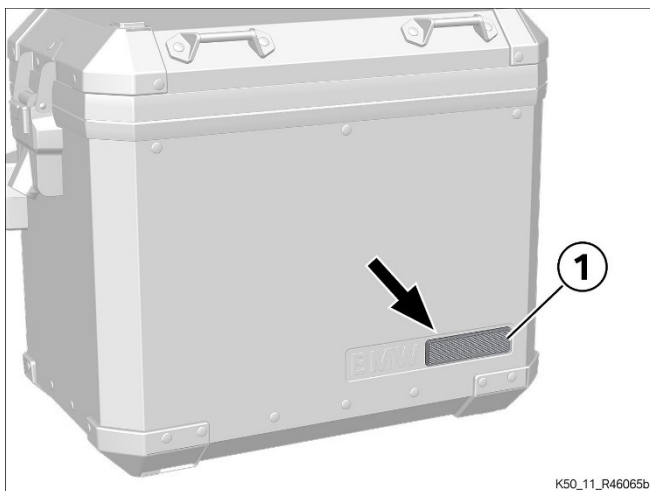


Fig.2: Reflectors on the Aluminum case (arrow)

Vehicles affected

In order to determine if a specific vehicle is affected by this Technical Campaign, it will be necessary to verify all vehicle VINs through a DCS Vehicle History Check. Based on the response of the system, either proceed with the repair or take no further action. Please note, affected VINs may not appear until 24-72 hours after the release of this bulletin.

Part numbers affected:

77 41 8 562 409	Aluminium case, left
77 41 8 562 410	Aluminium case, right
77 41 8 520 065	Aluminium case, left
77 41 8 520 066	Aluminium case, right

Service Information No. SI 63 001 17

Recall 17V- 481 Retrofitting case holder and/or Aluminum case reflectors.

NHTSA Statement

Please be reminded that it is a violation of federal law (The Safety Act) for you to sell, lease or deliver any new motor vehicle covered by this notification until the recall repair has been performed. This means that centers may not legally deliver new motor vehicles to consumers until they are fixed or use/sell replacement equipment/parts subject to this recall. Note also that substantial civil penalties apply to violations of the Safety Act.

Also, you should not sell, lease or deliver any Certified Pre-Owned or used vehicles subject to a safety recall until the repair is completed.

Please follow any special instructions that we provide to you for the return or disposition of recall parts.

Production solution

As of August 2017 the rear side reflectors are secured onto the case holder.

Service solution for case holders

The retrofitting of the reflectors directly on the case holder is done according to supplementary repair instructions 00 60 167

Service solution for aluminum cases

Aluminum case (installed on: R 1200 GS (K50/11), R 1200 GS Adventure

The retrofitting of the reflectors directly on the aluminum case is done according to supplementary repair instructions 00 60 327

Warranty processing for Retrofitting case holder reflectors

Defect code

00 00 63 02 00	Retrofitting reflector
----------------	------------------------

Flat Rate Unit Number

00 60 167	Retrofitting reflectors, 5 FRUs
-----------	---------------------------------

*Main Work: These main labor operations include all repair procedures to complete the task with allowance for necessary ancillary tasks (e.g. visual inspection, lubrication, cleaning parts etc.) and administrative tasks. Only one main labor operation can be claimed per repair visit. All other labor operations for any other line(s) must be claimed using plus code labor operations. Please refer to the Warranty Policy and Procedures Manual regarding add-ons, proper support, documentation, claims submission and archiving requirements as applicable.

Part numbers

36 14 8 406 798	2x Rear reflector holder
46 63 8 532 314	4x Flat nut, M5
46 63 8 534 938	4x Body screw
07 11 9 905 506	4x Hex nut
07 11 9 904 924	4x Washer
63 21 2 346 438	2x Red rear reflector

Service Information No. SI 63 001 17

Recall 17V- 481 Retrofitting case holder and/or Aluminum case reflectors.

Warranty processing for Aluminum case (R 1200 GS (K50/11), R 1200 GS Adventure)

Defect code

00 00 77 01 00	Retrofitting reflector
----------------	------------------------

Flat Rate Unit Number

00 60 327	Retrofitting reflectors for case, 5 FRUs
-----------	--

Part number

63 14 7 671 349	Reflector, red (order 2 of)
-----------------	-----------------------------

 **NOTICE**

If the case holder was removed as part of the service campaign number 46 002 17, 3 additional FRU are billed through the flat rate unit number 00 60 191.

Questions regarding this bulletin?

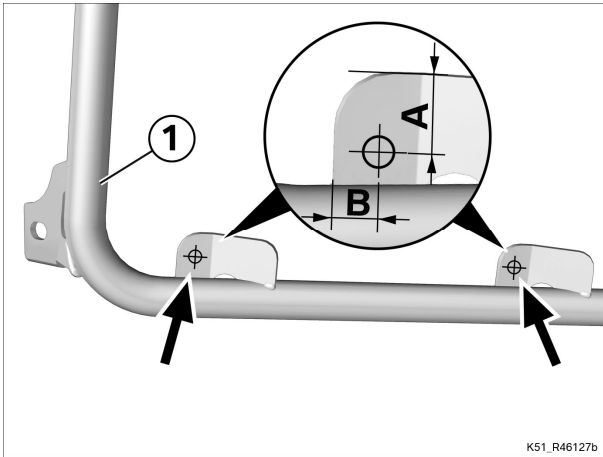
For technical inquires in relation to this bulletin	Please contact the PuMA team
For warranty inquires in relation to this bulletin.	Motorrad.Warranties@bmwna.com
For parts inquires in relation to this bulletin	Adam.Sacher@bmwnaext.com
Motorcycle Service and Technical Manager	Gordon.McDonnell@bmwna.com
Bulletin authored/published by	Gery.Torok@bmwna.com

Service Information No. SI 63 001 17

Recall 17V- 481 Retrofitting case holder and/or Aluminum case reflectors.

00 60 167 Retrofitting reflectors

1



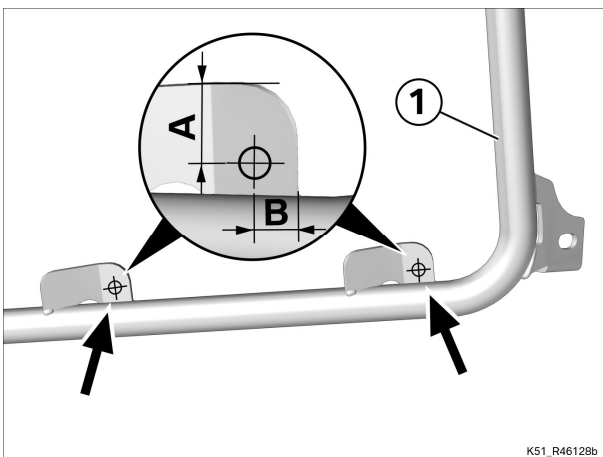
Fixing bore holes for reflector to case holder

- ♦ Mark bore holes (**arrows**) according to dimensions (**A**) and (**B**) on case holder (**1**).

Technical data			
Position of the bore holes in case flaps	Upper edge distance	10 mm	
	Rear edge distance	8 mm	

- ♦ Centre-punch bore holes (**arrows**) using a self-tapping spring center punch.
- ♦ Add bore holes (**arrows**) using suitable stainless steel drill.

Technical data			
Bore hole diameter in case flaps		5.2 mm	

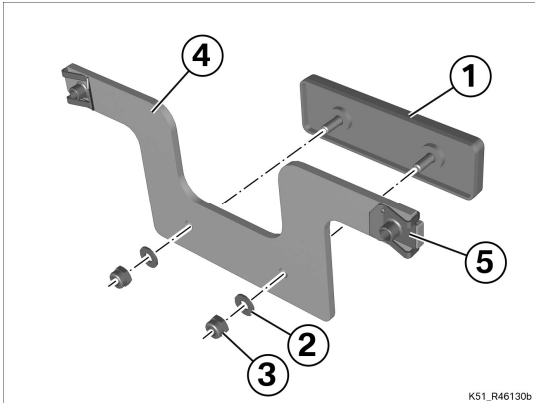


- ♦ Add bore holes (**arrows**) to left case holder (**1**) in the same way.

Service Information No. SI 63 001 17

Recall 17V- 481 Retrofitting case holder and/or Aluminum case reflectors.

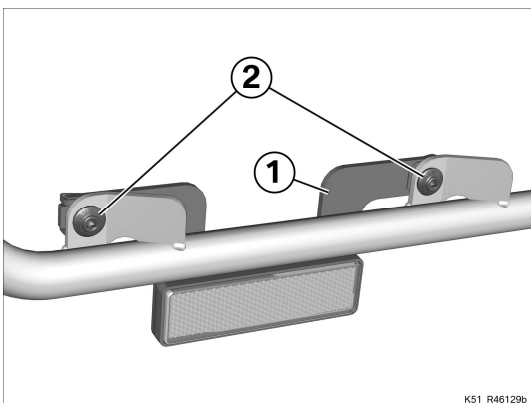
2



▶ Assembling reflector

- ◆ Secure reflector (1) with discs (2) and nuts (3) to retaining plate (4).
- ◆ Secure flat nuts (5) to retaining plate (4).

3

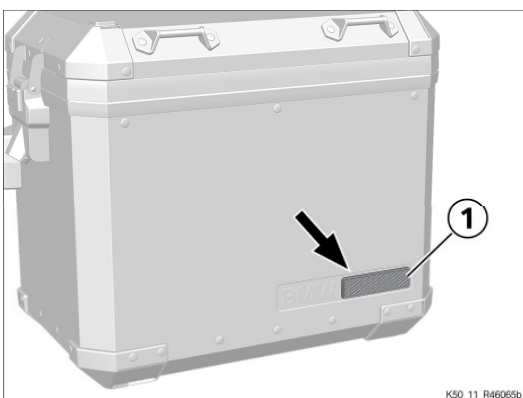


▶ Installing reflector on case holder

- ◆ Secure reflector (1) with screws (2). Install left reflector in the same way.

00 60 327 Reflectors for Aluminum cases

1



▶ Reflector retrofit left and right aluminum case

- Remove the protective film from the reflector (1).
- Clean and decrease adhesive surface (arrow)
- Apply the reflector (1).
- Apply the right reflector in the same way.