

August 25, 2017

07233 Version 3

Safety Recall: 2017 CR-V Rear Fuel Feed Pipe Leaks

Supersedes 17-062, dated July 14, 2017, to revise the information highlighted in yellow

AFFECTED VEHICLES

| Year | Model | Trim | VIN Range |
|------|-------|-----------------|--|
| 2017 | CR-V | 1.5 L and 2.4 L | Check the iN VIN status for eligibility. |

REVISION SUMMARY

Under PARTS INFORMATION, a note was added.

BACKGROUND

Some fuel feed pipes were not manufactured to specification. The connector between the fuel feed pipe and the fuel line may come loose when the fuel line is pressurized. If the fuel line comes loose, it may result in leaking fuel, which, in the presence of an ignition source, may increase the risk of a fire. A loose fuel line may also cut off fuel to the engine and cause it to stall, which may increase the risk of a crash.

CUSTOMER NOTIFICATION

Owners of affected vehicles will be sent a notification of this campaign.

Do an iN VIN status inquiry to make sure the vehicle is shown as eligible.

Some vehicles affected by this campaign may be in your new or used vehicle inventory.

Failure to repair a vehicle subject to a recall or campaign may subject your dealership to claims or lawsuits from the customer or anyone else harmed as a result of such failure. To see if a vehicle in inventory is affected by this safety recall, do a VIN status inquiry before selling it.

CORRECTIVE ACTION

Replace the fuel feed pipe using two new retainers.

PARTS INFORMATION

| Part Name | Part Number | Quantity |
|--------------------|---------------|----------|
| Fuel Feed Pipe | 17700-TLA-A01 | 1 |
| Retainer: | | |
| White (Sanoh) | 17711-ST0-004 | 1 |
| Blue-green (Tokai) | 17711-S0X-931 | 1 |

NOTE: For dealers experiencing a strong fuel smell from storing a fuel feed pipe replaced under this Service Bulletin, the fuel feed pipe may be disposed of immediately in accordance with local regulations. This only applies to the fuel feed pipe replaced under this Service Bulletin. The published retention policy remains in effect for all other parts. If you have any questions to this exception or other parts retention issues please contact the WPI Administrative Office at 937-642-2737.

CUSTOMER INFORMATION: The information in this bulletin is intended for use only by skilled technicians who have the proper tools, equipment, and training to correctly and safely maintain your vehicle. These procedures should not be attempted by "do-it-yourselfers," and you should not assume this bulletin applies to your vehicle, or that your vehicle has the condition described. To determine whether this information applies, contact an authorized Honda automobile dealer.

WARRANTY CLAIM INFORMATION

| Operation Number | Description | Flat Rate Time | Defect Code | Symptom Code | Template ID | Failed Part Number |
|------------------|-----------------------------|----------------|-------------|--------------|-------------|--------------------|
| 3101GJ | Replace the fuel feed pipe. | 1.2 hrs | 6FF00 | KH100 | A17062A | 17700-TLA-A01 |

Skill Level: Repair Technician

REPAIR PROCEDURE

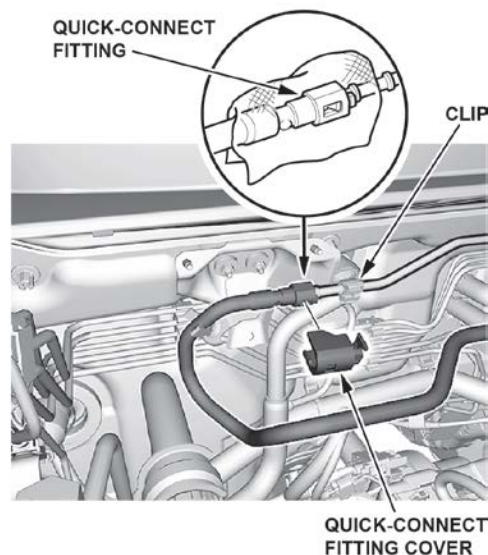
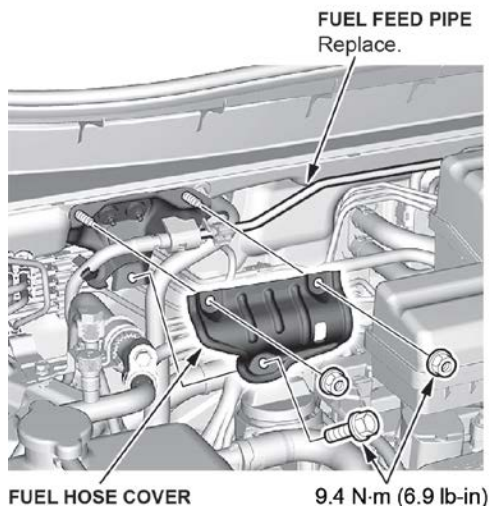
NOTE:

- Flammable - Keep away from fire. If fuel ignites, it will cause a serious incident.
 - Relieve the fuel pressure before disconnecting the fuel line to avoid the risk of spraying pressurized fuel.
 - Disconnect the 12 volt battery negative terminal before disconnecting the electrical connector to reduce the risk of a fire caused by sparks.
 - Do not apply brake fluid, engine coolant, plant-based oil, or alcohol-based oil to the O-ring. Incorrect fluid or oil may cause the material to deteriorate or other damage.
1. Relieve the fuel pressure. Refer to the service information.
 2. Do the battery disconnection procedure to disconnect the negative battery cable. Make sure to isolate it so it doesn't unintentionally spark.
 3. *1.5 L Models only:* Remove the intake air resonator.

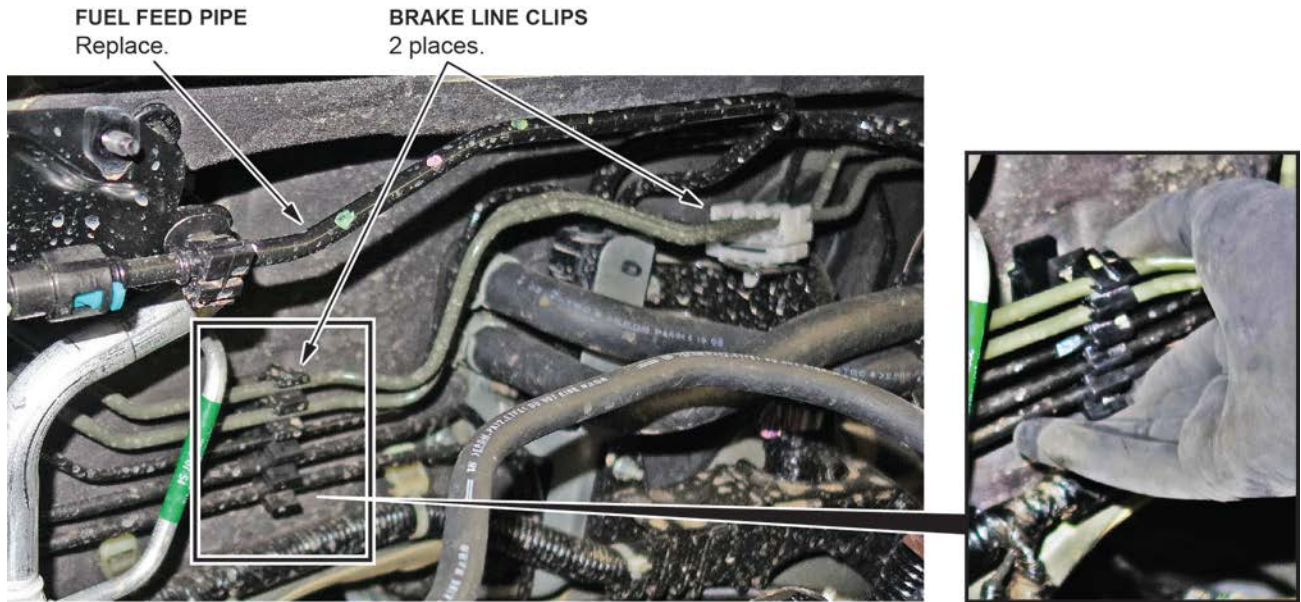


INTAKE AIR RESONATOR
2 BOLTS
12 N·m (9 lb-in)

4. Remove the fuel hose cover, then disconnect the fuel feed pipe quick-connect fitting.



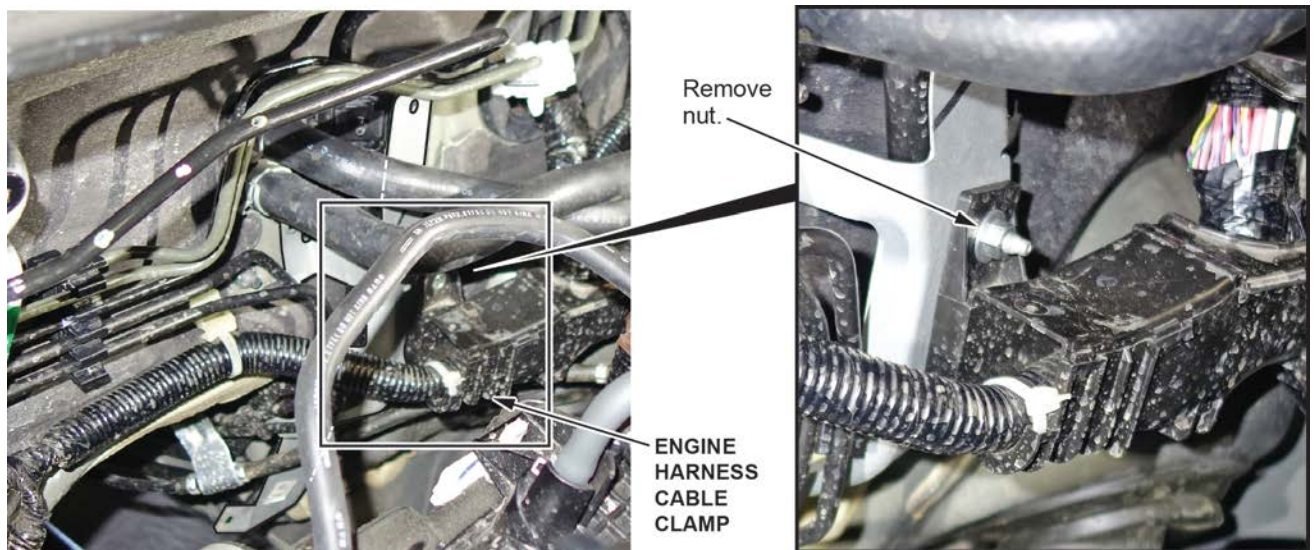
5. Release the two brake line clips on the firewall.



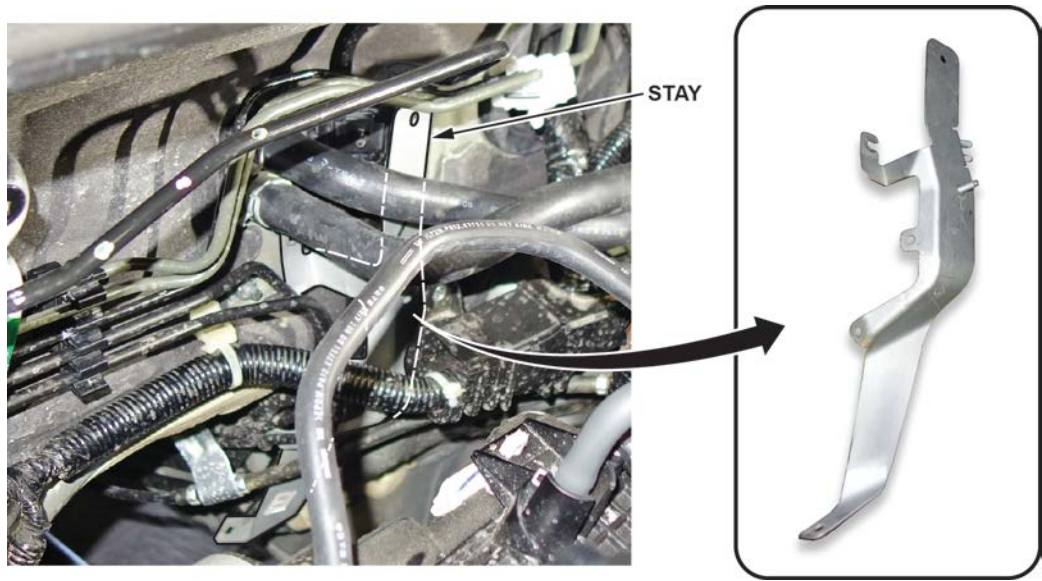
6. Remove the heater hose bracket at the firewall.



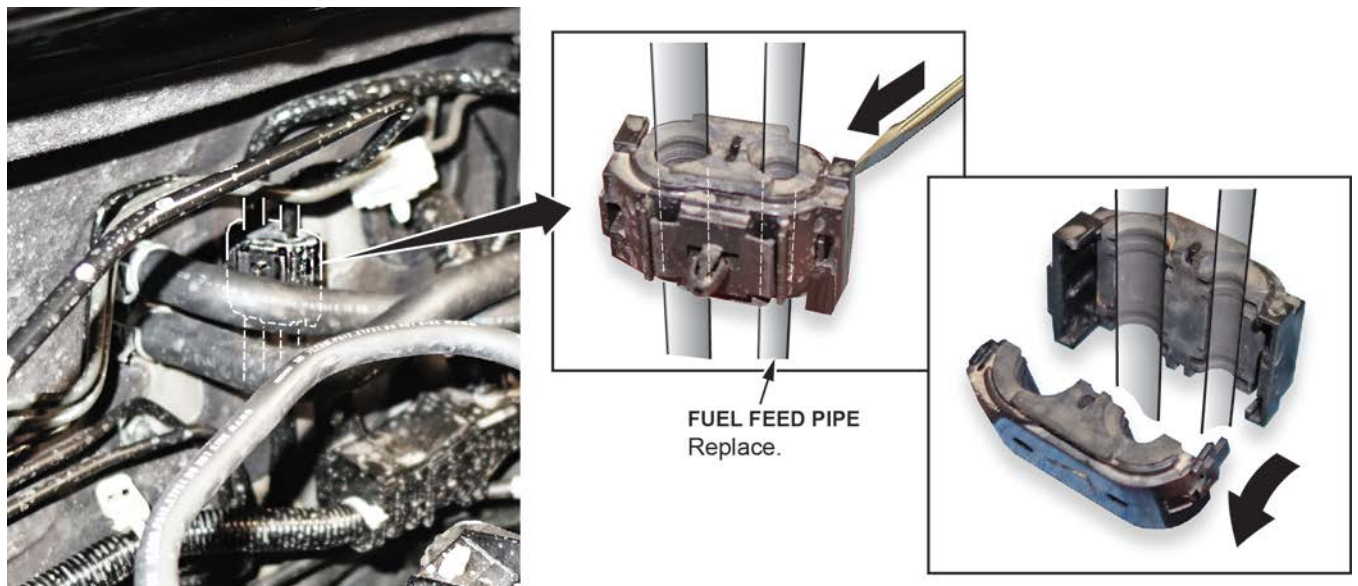
7. Release the engine harness cable clamp by removing the nut.



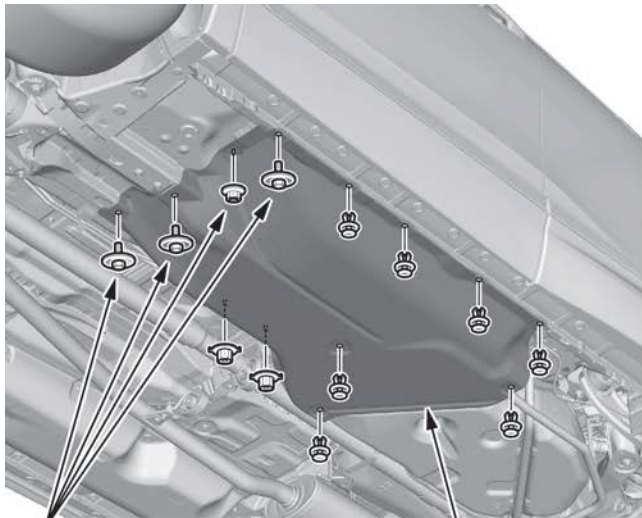
8. Remove the fuel feed pipe stay as shown.



9. Remove the fuel feed hose bracket that is located by the firewall.

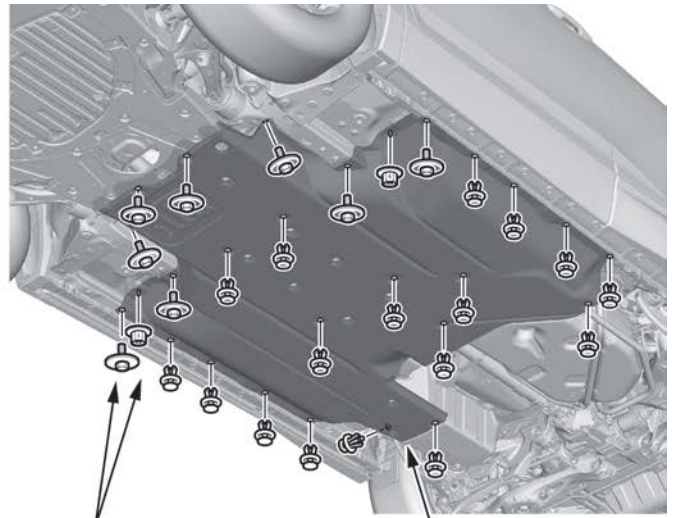


10. Remove the middle floor undercover to access the fuel feed pipe connection.



BOLTS AND NUT
9.4 N-m (6.9 lb-in)

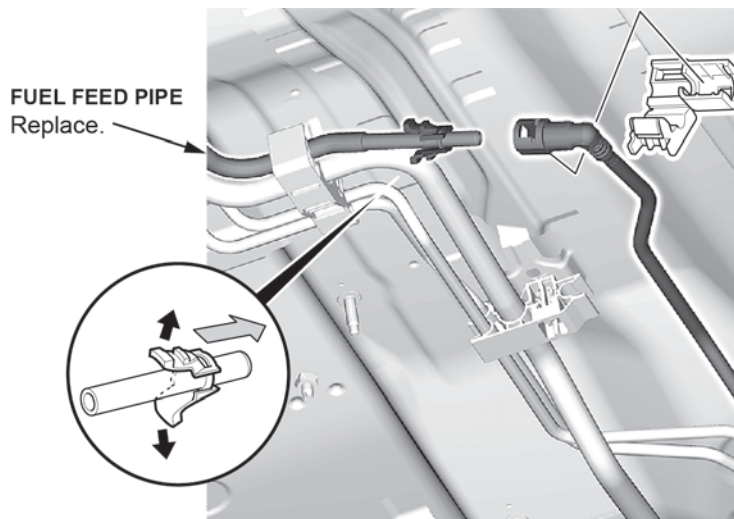
MIDDLE FLOOR UNDERCOVER



BOLTS AND NUTS
9.4 N-m (6.9 lb-in)

MIDDLE FLOOR UNDERCOVER
(EX 2WD, EX-L 2WD,
Touring 2WD ONLY)

11. Disconnect the fuel feed pipe quick-connect fitting and disconnect the fuel feed pipe.



FUEL FEED PIPE
Replace.

12. Remove the fuel feed pipe from the holders.



FUEL FEED PIPE
Replace.

FUEL LINE
HOLDERS

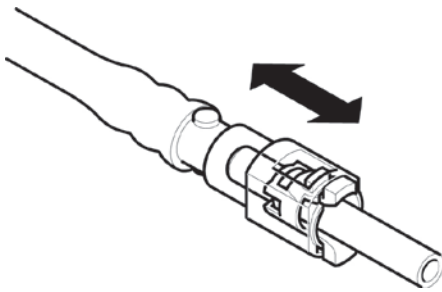
13. Remove the fuel feed pipe from the engine compartment.

NOTE: You may have to twist the fuel feed pipe to remove it from the vehicle.

FUEL FEED PIPE
Replace.



14. Check that the connection points are clean, then install the new fuel feed pipe using the new retainers. Make sure the connections are secure and the tabs are firmly locked into place. Visually check each connection and also pull on the connector.



15. Reconnect the battery.

16. Check for fuel leaks by turning the vehicle to ON, but do not start the engine. After the fuel pump runs for about 2 seconds, the fuel line will be pressurized. Repeat this 2-3 times, then check that the connections are secure and that there are no leaks or rattles.

17. Reinstall the remaining parts in the reverse order of removal.

18. Permanently damage the original fuel feed pipe by bending or breaking it to ensure it cannot be reused.

19. **For California residents only:** Fill out a Vehicle Emissions Recall – Proof of Correction certificate, and use KH1 as the recall number. Give the certificate to your customer, and advise them to keep it as proof that the recall was completed. Your customer will need to submit this certificate to the DMV only if the DMV requests it. If you need more certificates, use reorder number Y0657.

| Vehicle Emission Recall - Proof of Correction | | | | |
|--|-----------------------------------|------------------------------|-----------|-------------------------------|
| License Number | Make | Year Model | Body Type | Vehicle Identification Number |
| | | | | |
| Manufacturer | Recall Number KH1 | | | |
| The above described vehicle has been repaired, modified and/or equipped with emission control devices to meet applicable California Emission Control Laws. | | | | |
| Dealer's Name | | Address, City, State and Zip | | |
| Date | Dealership's Authorized Signature | | | |
| | X | | | |
| Return this certificate to DMV only when required - otherwise retain for your records. | | | | |

Y0657 ACL 21832 (0212)

END