

**June 23, 2017**

06923 Version 1

## Non-Compliance Recall: 2018 Odyssey 3<sup>rd</sup> Row Center Seatbelt Tongue

### AFFECTED VEHICLES

Year	Model	Trim	VIN Range
2018	Odyssey	ALL	Check the iN VIN status for eligibility.

### BACKGROUND

During 3<sup>rd</sup> row center seatbelt assembly, the supplier may have installed an incorrect seatbelt tongue which will not allow the center seatbelt to buckle or latch correctly.

### CUSTOMER NOTIFICATION

Owners of affected vehicles will be sent a notification of this campaign.

Do an iN VIN status inquiry to make sure the vehicle is shown as eligible.

Some vehicles affected by this campaign may be in your new or used vehicle inventory. New vehicles are subject to a federal stop sale requirement.

Failure to repair a vehicle subject to a recall or campaign may subject your dealership to claims or lawsuits from the customer or anyone else harmed as a result of such failure. To see if a vehicle in inventory is affected by this safety recall, do a VIN status inquiry before selling it.

### CORRECTIVE ACTION

Inspect all 3<sup>rd</sup> row seatbelts and verify the center seatbelt buckles or latches properly. If the center seat belt does not properly latch, order and install a new center seat belt retractor assembly.

### PARTS INFORMATION

NOTE: An extremely small percentage of vehicles will require a new center seatbelt. Order the center seatbelt only after confirming that a replacement part is needed.

Part Name	Part Number	Quantity
Center Seatbelt Set	04829-THR-A00ZA	1

### WARRANTY CLAIM INFORMATION

Operation Number	Description	Flat Rate Time	Defect Code	Symptom Code	Template ID	Failed Part Number
8555A3	Inspect the seatbelts.	0.2 hr	6SF00	KF700	17-055A	04829-THR-A00ZA
8555A3	Inspect the seatbelts.	0.2 hr	6SF00	KF700	17-055B	04829-THR-A00ZA
A	Replace the seatbelt retractor.	0.2 hr				

Skill Level: Repair Technician

**CUSTOMER INFORMATION:** The information in this bulletin is intended for use only by skilled technicians who have the proper tools, equipment, and training to correctly and safely maintain your vehicle. These procedures should not be attempted by "do-it-yourselfers," and you should not assume this bulletin applies to your vehicle, or that your vehicle has the condition described. To determine whether this information applies, contact an authorized Honda automobile dealer.

## INSPECTION

1. Latch all three 3<sup>rd</sup> row seatbelts and confirm they all buckle or latch into their corresponding buckles.

NOTE: The center seat belt buckle is labeled "CENTER".



- If the center seatbelt did not latch, go to REPAIR PROCEDURE.
- If all 3 seatbelts latched securely, the vehicle is OK. Unlatch the seatbelts and reinstall the center seatbelt in the ceiling storage slots.



## REPAIR PROCEDURE

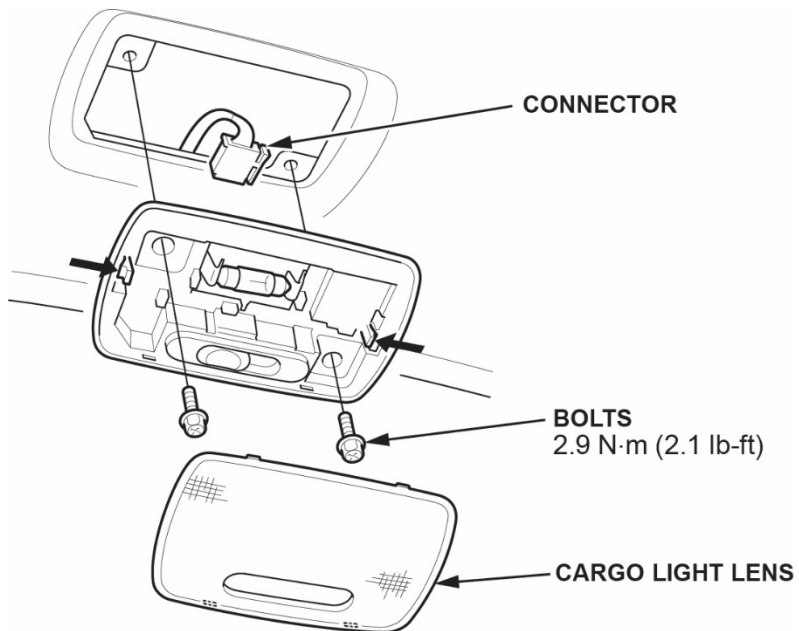
1. Partially remove the trunk seal above the rear hatch opening.



2. Remove the cargo light lens.

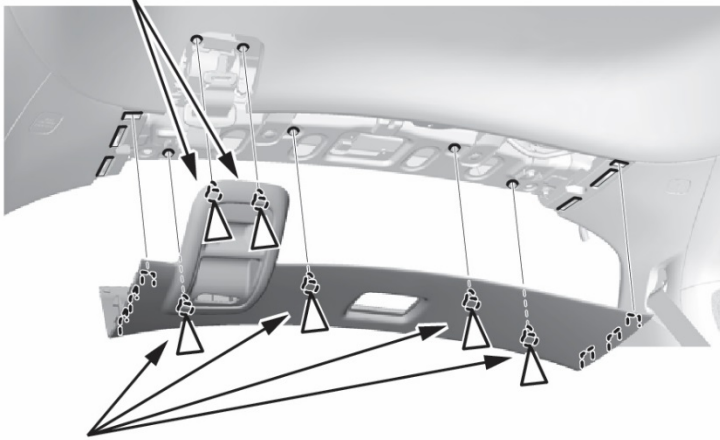


3. Remove the bolts and disconnect the cargo light connector.



4. Remove the roof trim.

**YELLOW CLIPS**

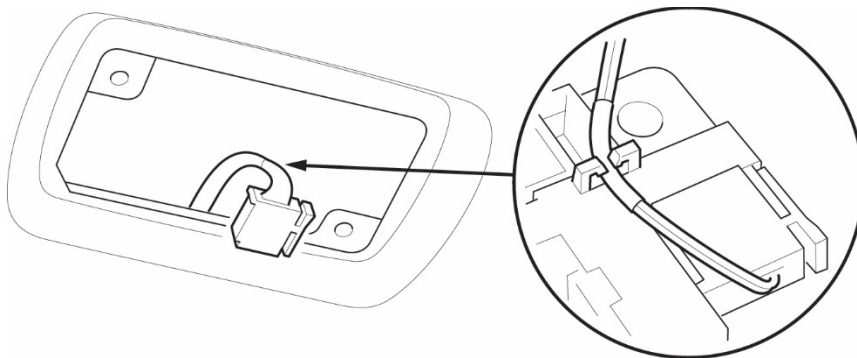


**GREEN CLIPS**

5. Push the tongue and anchor through the roof trim.

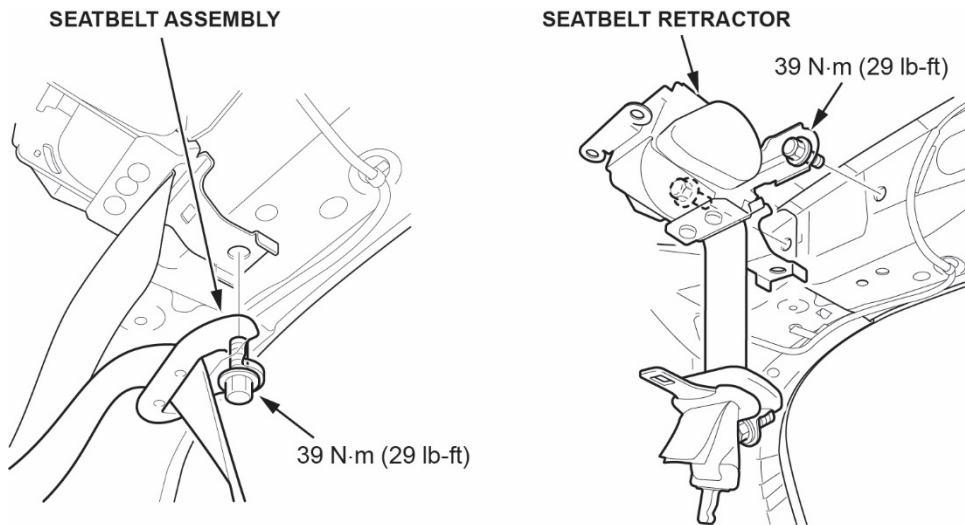


6. Remove the cargo light coupler.





7. Remove the center seatbelt assembly anchor bolts.



8. Remove the seatbelt retractor.
9. Install a new seatbelt retractor, torque the bolts to **39 N·m (29 lb-ft)**.
10. Confirm the center seatbelt securely latches into the center buckle.
11. Install all removed parts in reverse order of removal.
12. Unlatch the seatbelts and reinstall the center seatbelt in the ceiling storage slots.



END