



Volvo Car Customer Service

QB Instruction VCC-504457-1

Title	Seat belt retractor, rear	Page	1 (9)
Action	Replacement	Operation number:	97195-2

Issue	Date	Reason
1	2017-05	First issue

Affected vehicles

Model year	Model
2017	XC90 (16-)

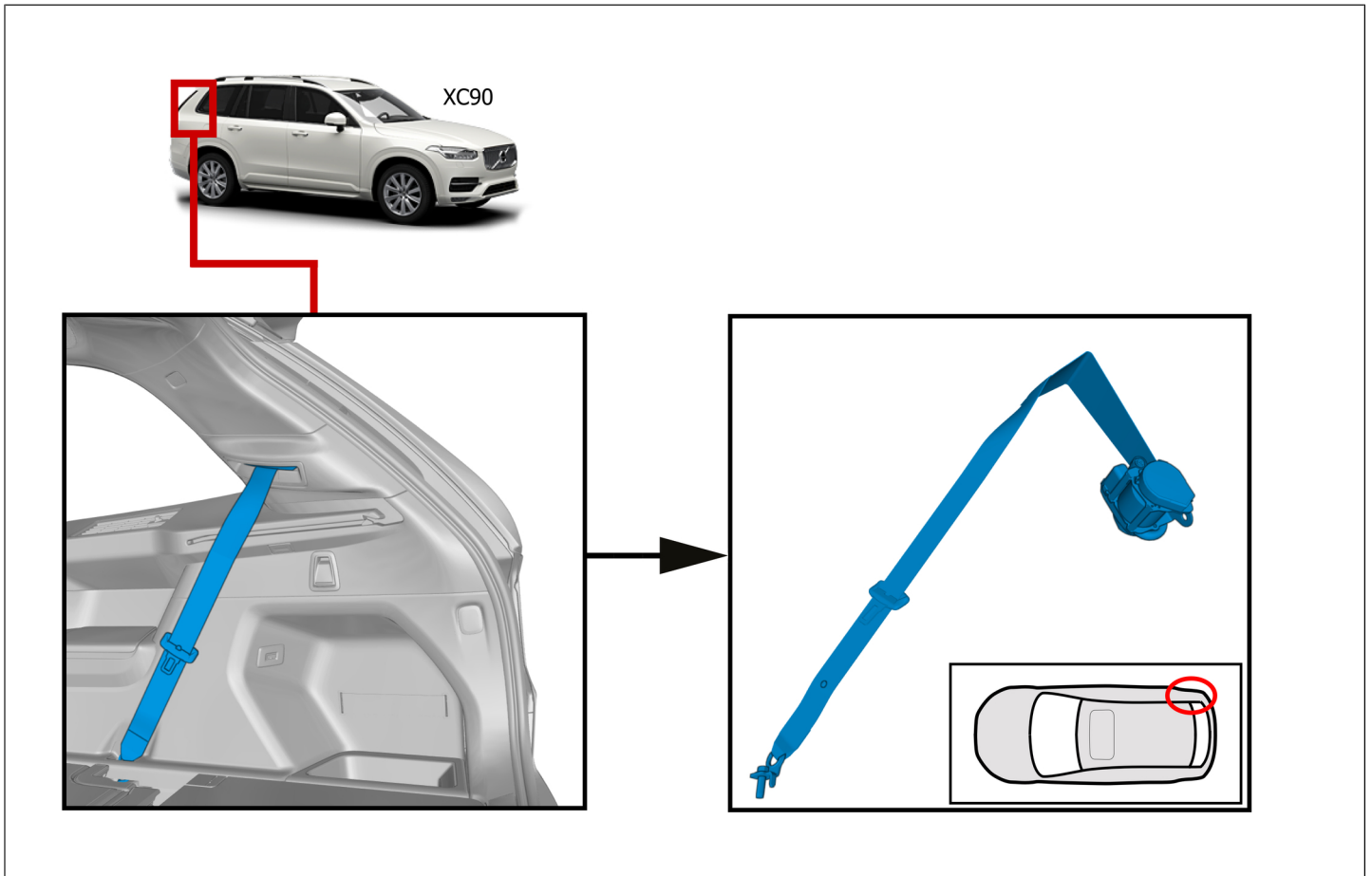
Materials

Materials	Qty.	Part No.	Notes
Seat belt	1.0	39825742	3:D Row, Charcoal, US/CDN, RH;
Seat belt	1.0	39842894	3:D Row, Blond, US/CDN, RH;

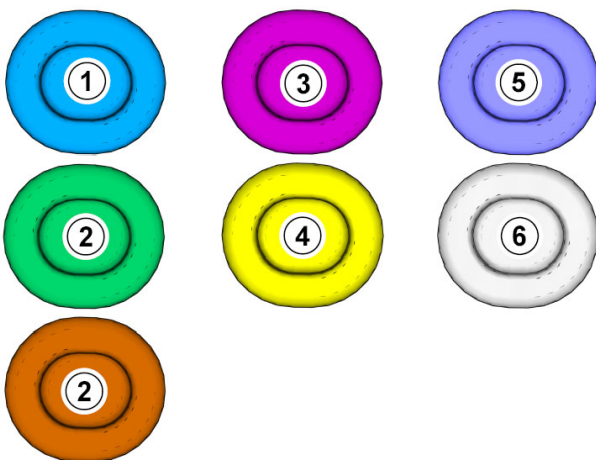
Special tools

Description	Part No.
Interior trim remover	981 4071

Orientation view



Color symbols

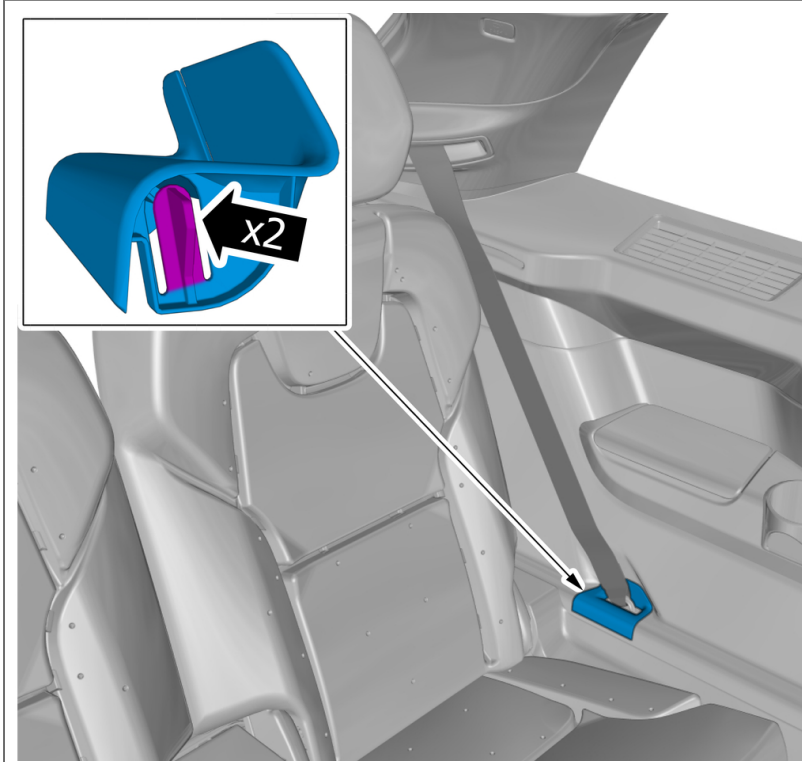


Note! This colour chart displays (in colour print and electronic version) the importance of the different colours used in the images of the method steps.

- 1 . Used for focused component, the component with which you will do something.
- 2 . Used as extra colors when you need to show or differentiate additional parts.
- 3 . Used for attachments that are to be removed/installed. May be screws, clips, connectors, etc.
- 4 . Used when the component is not fully removed from the vehicle but only hung to the side.
- 5 . Used for standard tools and special tools.
- 6 . Used as background color for vehicle components.

Removal

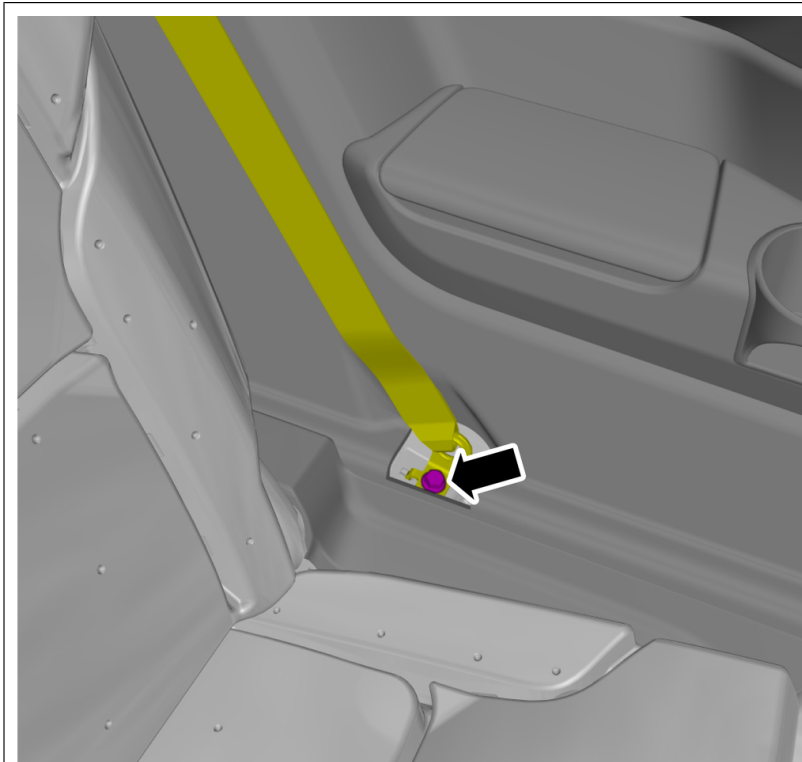
Note: Although some of the below images for interior panel removal show the left side of the vehicle, this action applies to the right side of the vehicle only.



Right-hand side

Remove the marked part.

Special Tool: T9814071, Interior trim remover

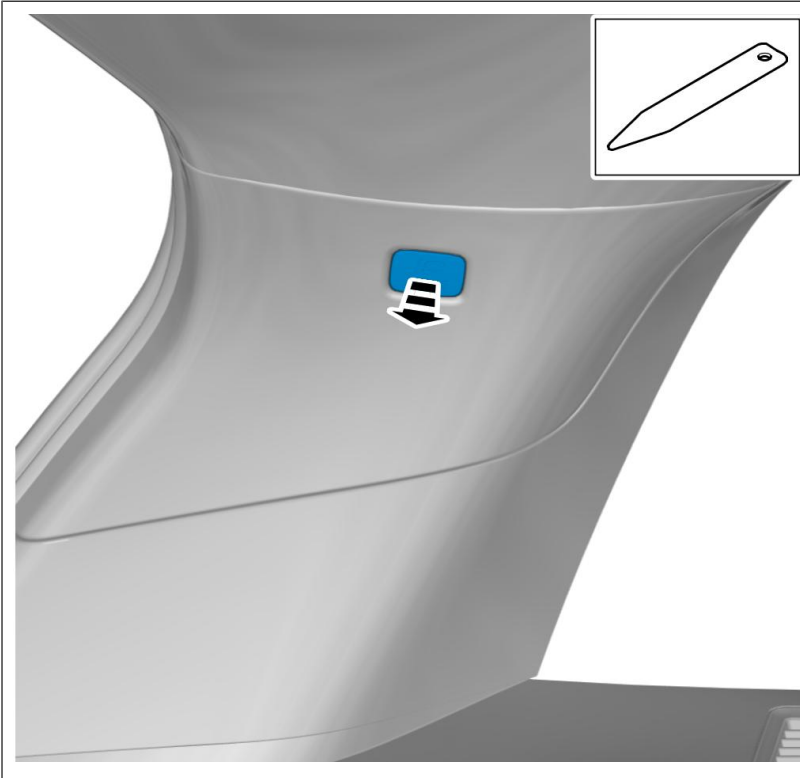


Right-hand side

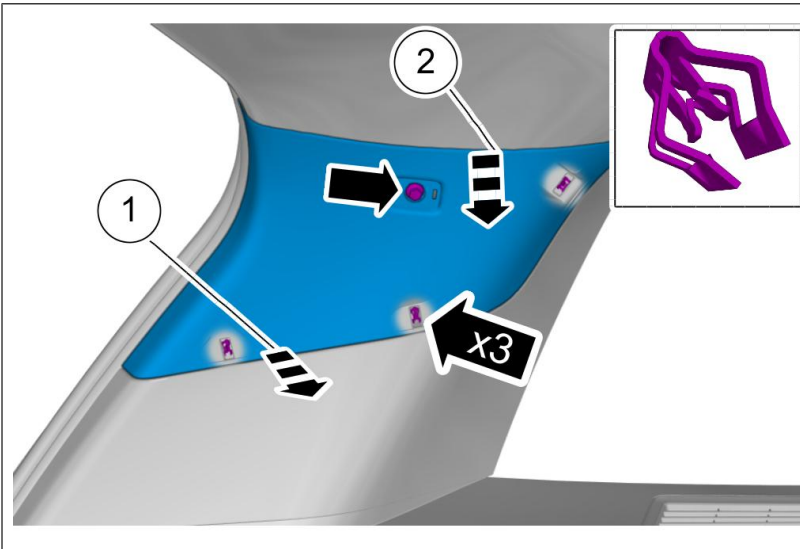
Remove the screw.

Torque:

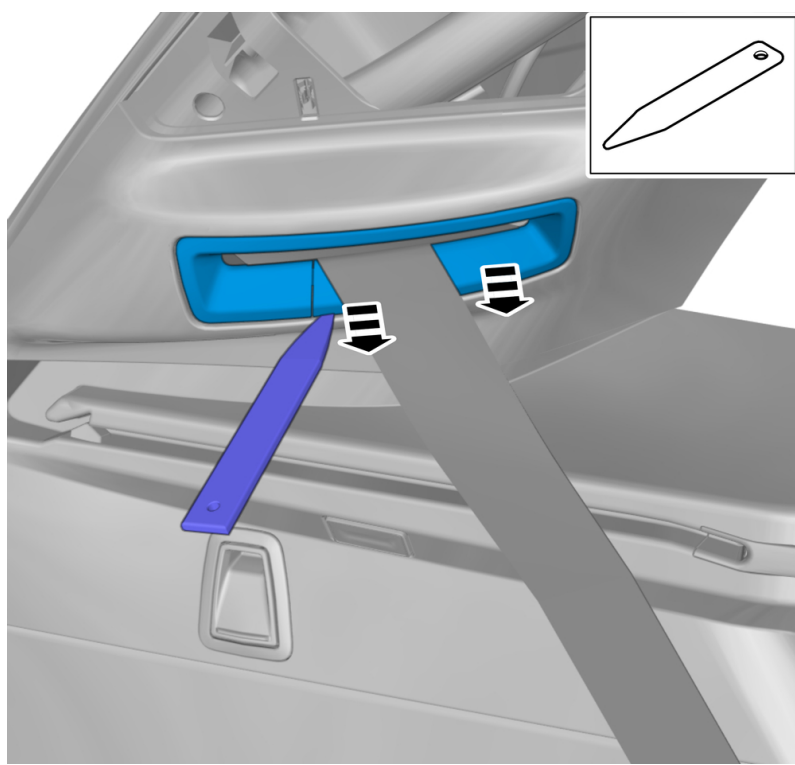
Safety belt lower anchor to body (rear) ,
40 Nm



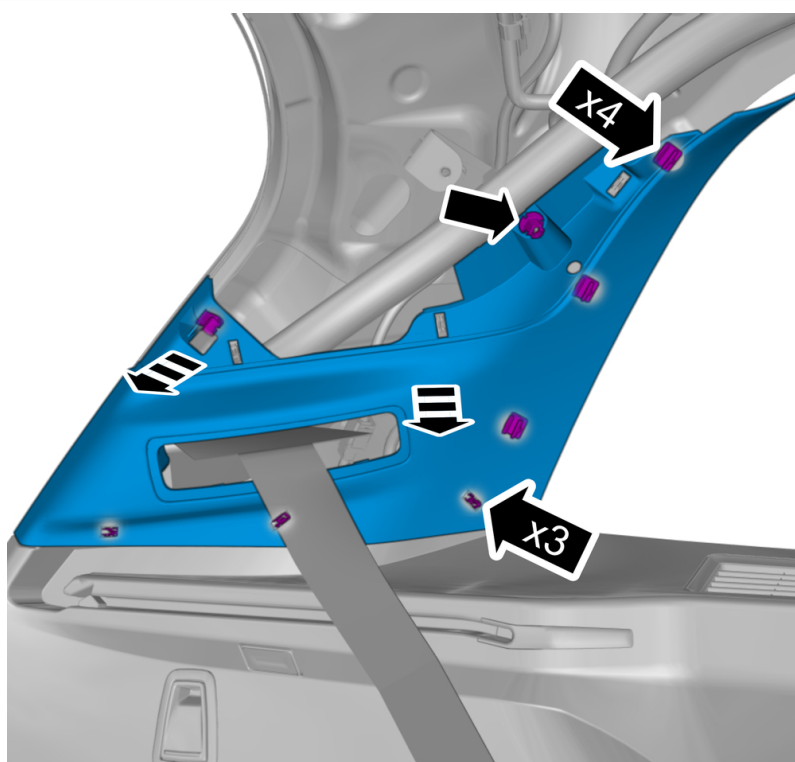
Right-hand side
Remove the marked part.
Special Tool: T9814071, Interior trim remover



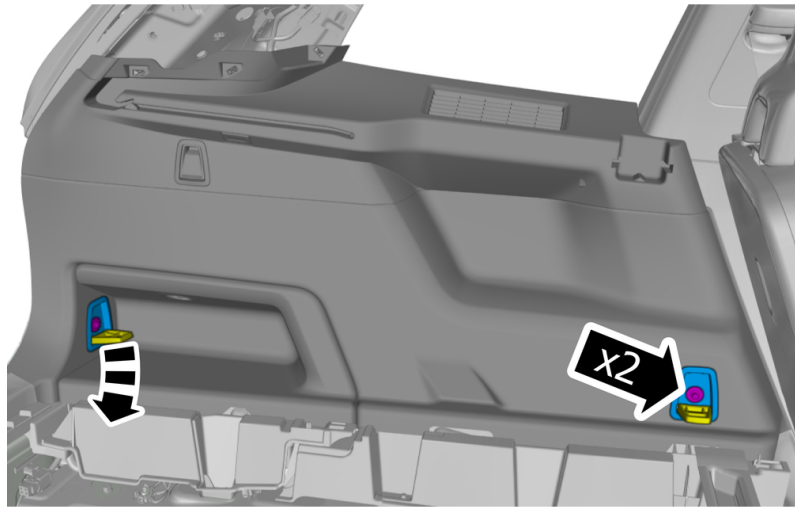
Right-hand side
1 . **Torque:**
Panel, to D-Pillar , 4.5 Nm
2 . Remove the screw.
3 . Remove the panel.



Right-hand side
Remove the marked part.
Special Tool: T9814071, Interior trim remover



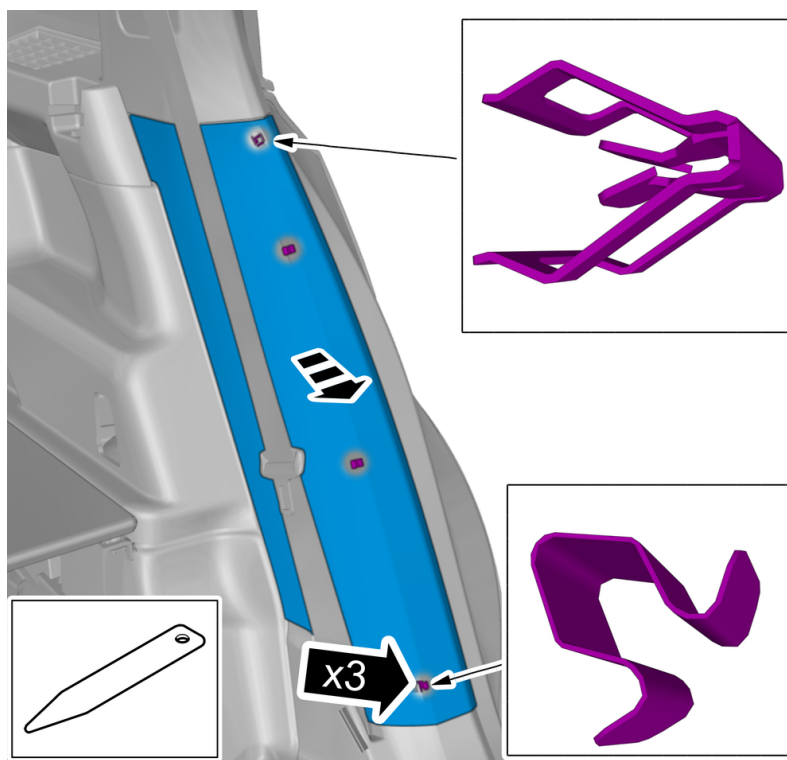
Right-hand side
Remove the nut.
Remove the marked part.



Right-hand side
Remove the screws.

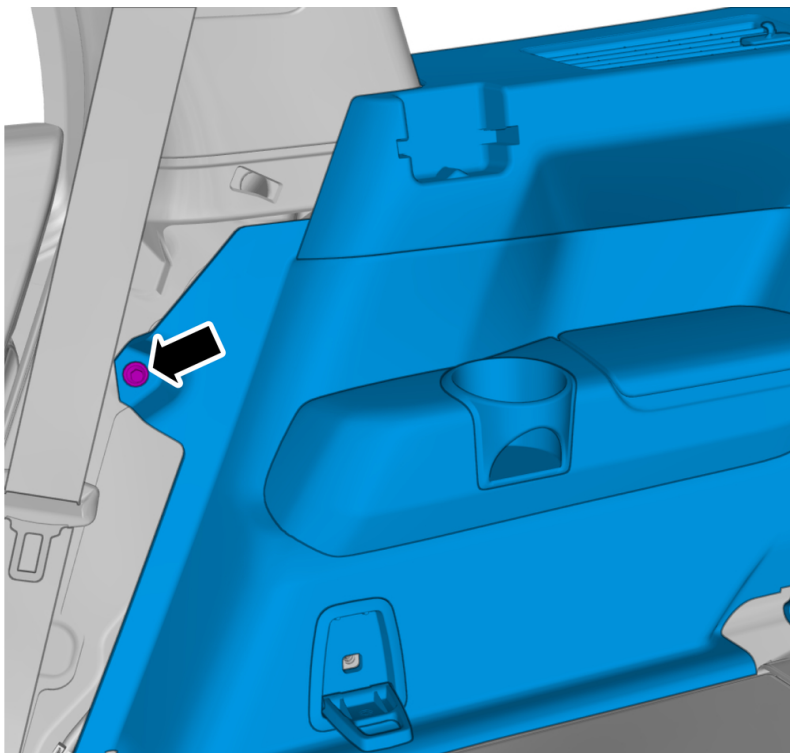
Torque:

Cargo anchor, to body , 13 Nm



Right-hand side
Remove the panel.

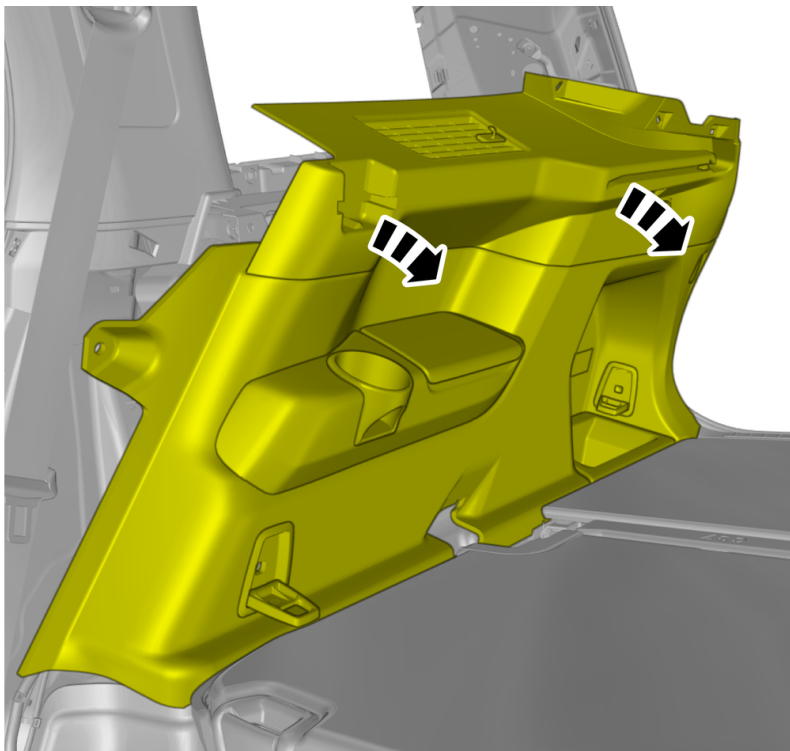
Special Tool: T9814071, Interior trim remover



Right-hand side
Remove the screw.

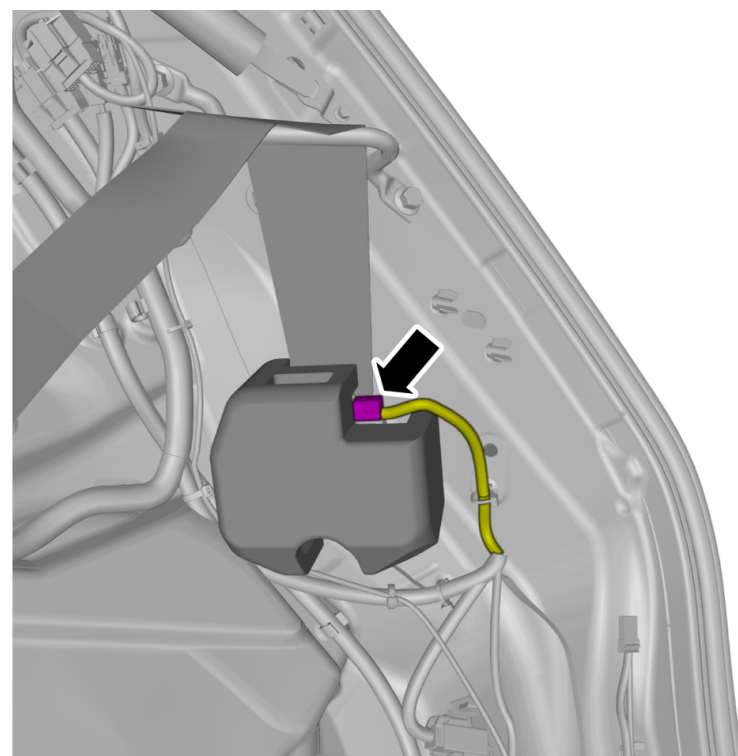
Torque:

M5 , 5 Nm

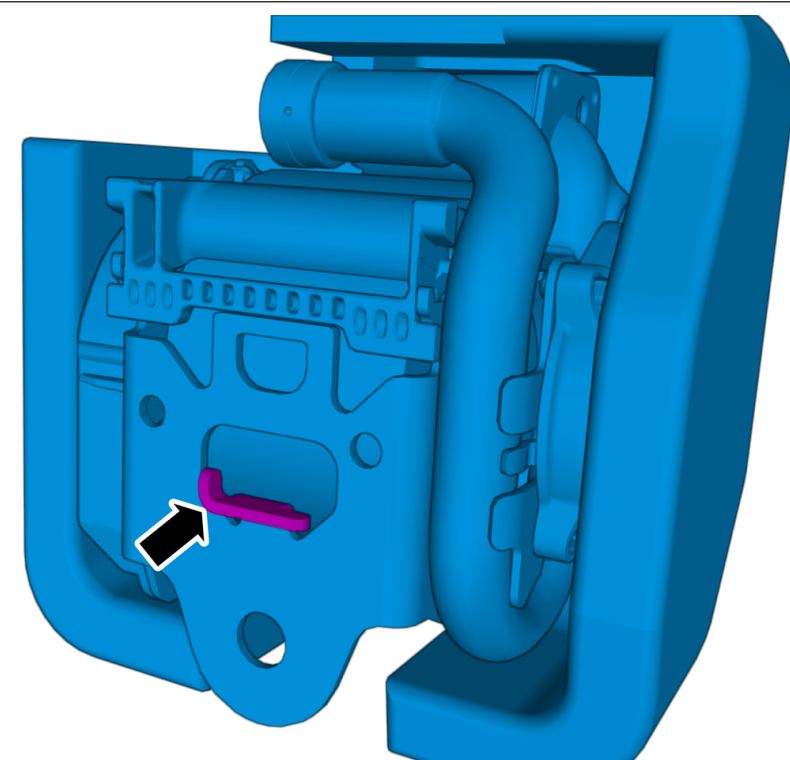


Right-hand side
Fold marked part to one side.

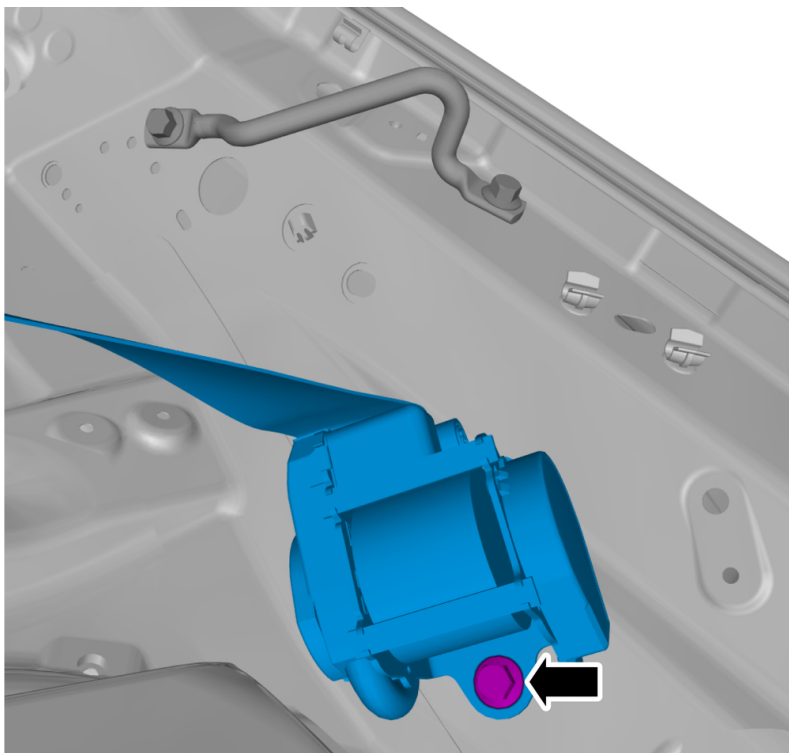
Disconnect connector ignition cable , refer to:
3 - Electrical system
37 - Cables and fuses
371 - cables



Right-hand side
Disconnect the connector.



Note! The graphic shows the back of the component before removal.



Right-hand side
Remove the screw.
Remove the marked part.

Torque:

Safety belt retractor rear to body , 40 Nm

Installation

To install, reverse the removal procedure.

Check that no diagnostic trouble codes (DTCs) are stored.