



Southeast Toyota Distributors, LLC

Attention

This is an important Safety Recall which was initiated by Southeast Toyota Distributors, LLC.

If you are in Florida, Georgia, Alabama, South Carolina, or North Carolina, please refer to SET Dealer Daily to obtain instructions on how to complete this repair and submit a warranty claim.

Toyota Dealerships outside of Florida, Georgia, Alabama, South Carolina or North Carolina

SET will reimburse you for the repairs outlined in the following procedure. For repair authorization and parts ordering, please contact Southeast Toyota Distributors, LLC toll free at 1-888-851-2722 and select the option six (6) for campaign support.

Thank you for your continued support.

Southeast Toyota Distributors, LLC

TECHNICAL INSTRUCTIONS

FOR

VOLUNTARY SAFETY RECALL CAMPAIGN SET17A

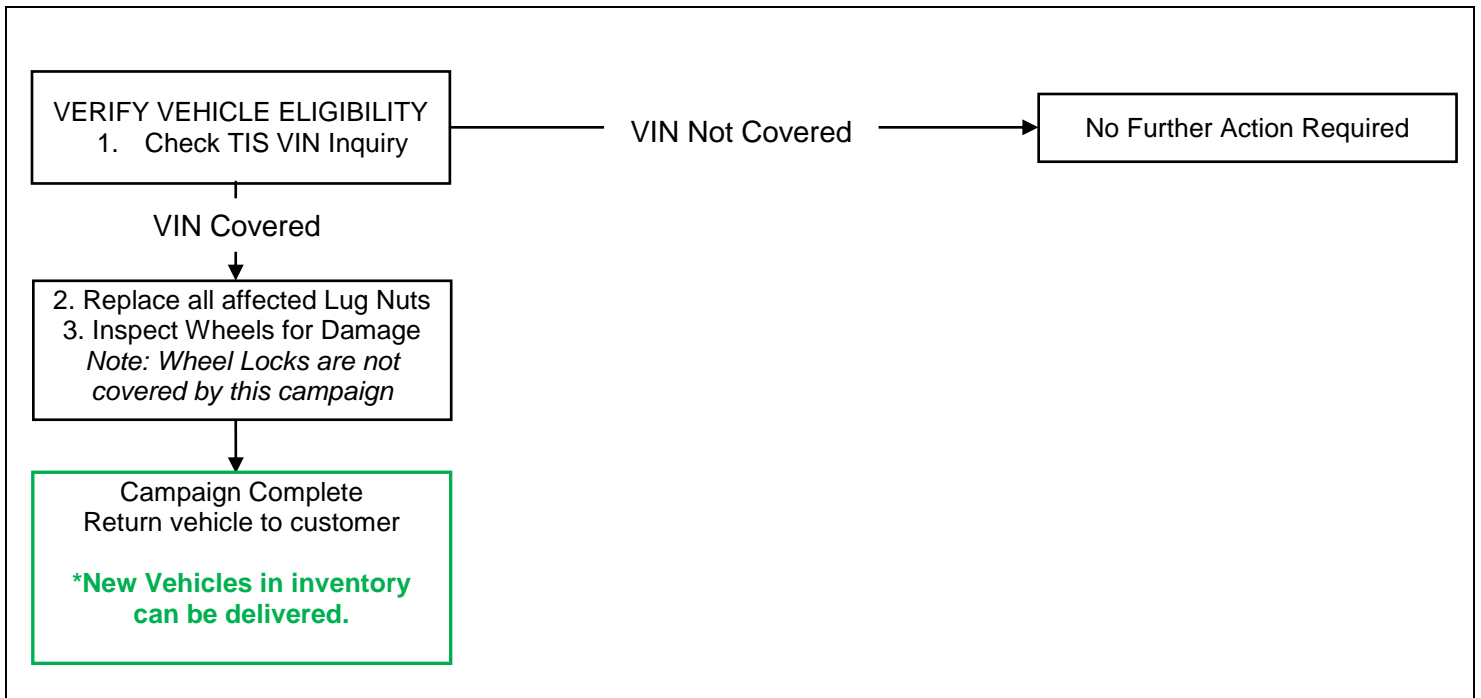
20 INCH ROCKSTAR WHEEL - LUG NUT

CERTAIN 2013-2017 MODEL YEAR SEQUOIA AND TUNDRA

All dealership associates involved in the campaign process are required to successfully complete E-Learning course SC13A SC15A. To ensure that all vehicles have the repair performed correctly; technicians performing this recall repair are required to currently hold at least one of the following certifications levels:

- Toyota Certified (any classifications)
- Toyota Expert (any classifications)
- Master
- Master Diagnostic Technician

I. WORKFLOW



II. IDENTIFICATION OF AFFECTED VEHICLES

NOTE:

- Check the TIS Vehicle Inquiry System to confirm the VIN is involved in this SSC and that the campaign has not already been completed prior to dealer shipment or by another dealer.
- **Southeast Toyota warranty will not reimburse dealers for repairs conducted on vehicles that are not affected or were completed by another dealer.**

III. PREPARATION

A. PARTS

Part Number	Part Description	Quantity
90942-01103	Wheel Nut	1
<i>Note: Most vehicles will require 20 of the above listed parts. Vehicles equipped with wheel locks will only require 16.</i>		

If you are a dealer outside of the SET region, please contact the SET accessory department at (888) 851-2722, press 6 for recall support or email Accessory.Warranty@SEToyota.com.

IV. BACKGROUND

SET either installed, or sold to dealers to install, an accessory 20 inch Rockstar wheel for 2016 - 2017 Toyota Tundra. Toyota dealers also installed these wheels on one 2013 Tundra, one 2014 Tundra, and one 2016 Sequoia. The upgrade included lug nuts. Some of the lug nuts were not manufactured to SAE specifications. It has been determined that the defective lug nuts may crack and detach if not properly torqued during service of the tire and wheel assembly, increasing the risk of a crash. There have been no accidents or injuries reported with regard to this condition, nor have there been any reports of wheel separation.

V. COMPONENTS

Southeast Toyota Accessory Rockstar wheel.

00041-34215 Wheel

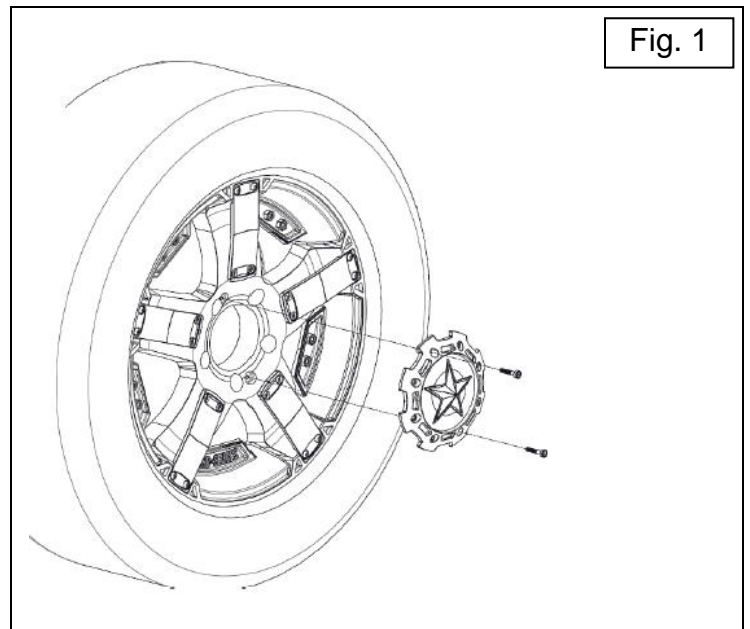


00041-34215-05 Lug Nut



VI. WORK PROCEDURE

1. Raise and support vehicle on lift or jack stands.
2. Remove center cap by removing the 2 alan screws. Fig. 1



3. Remove the wheel nuts.

NOTE: This campaign covers lug nut replacement only. Wheel locks are not involved. Do not replace wheel locks.

4. Install New lug nuts.

- Tighten lug nuts on wheel stud by hand.
- Using Torque wrench, tighten lug nuts to 97lb.ft. in the sequence shown in Fig. 2.

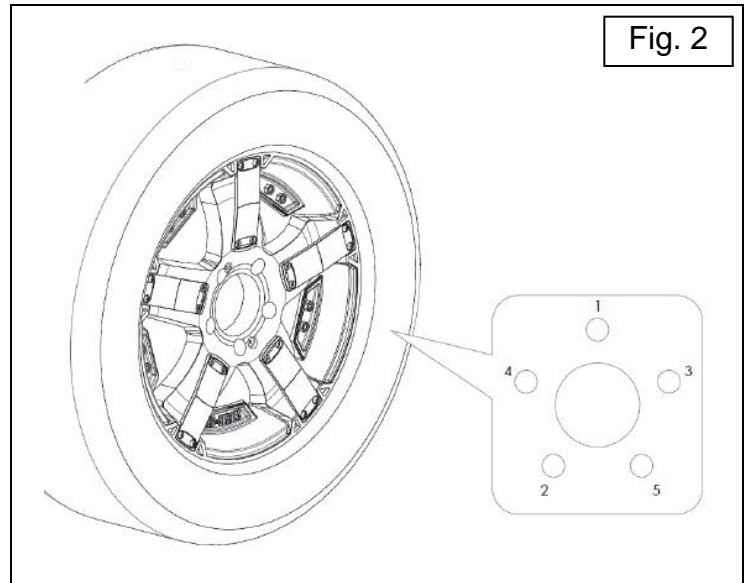


Fig. 2

5. Inspect Wheel for Damage. Fig. 3

- Check the lug nut seating area for damage. Holes should be circular with no signs of impact or cracks.

Note: If damage is found, send pictures and VIN to Accessory.Warranty@SEToyota.com for wheel replacement instructions.

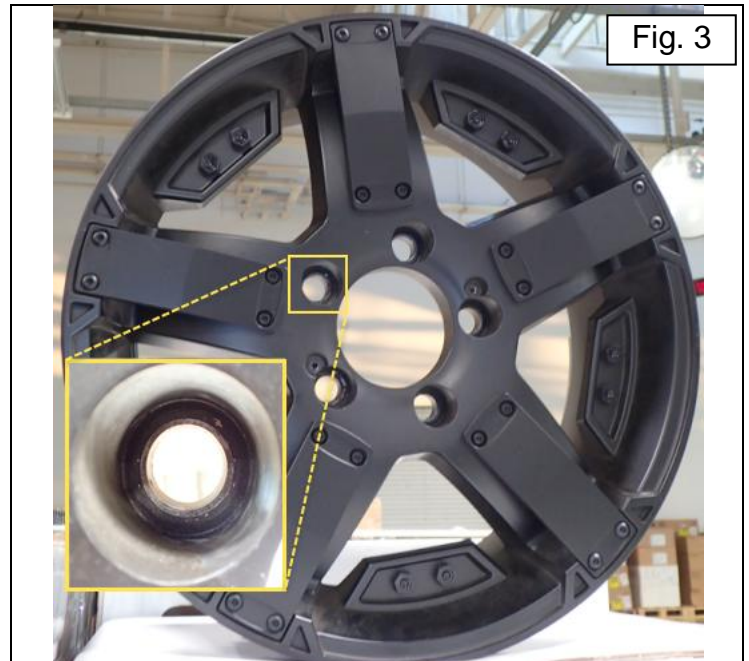
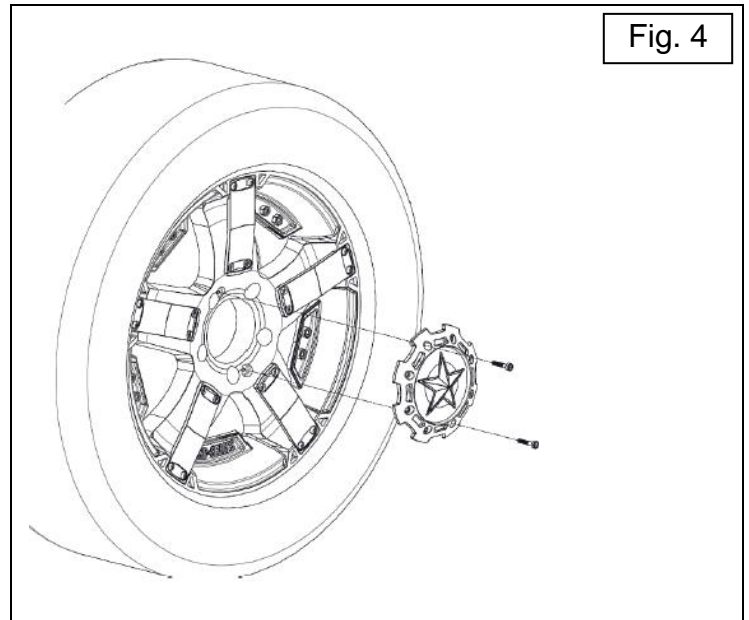


Fig. 3

6. Reinstall Center Cap. Tighten the two alan screws. Fig. 3.



7. Campaign complete. Return vehicle to customer.

VII. APPENDIX

A. CAMPAIGN DESIGNATION DECODER

