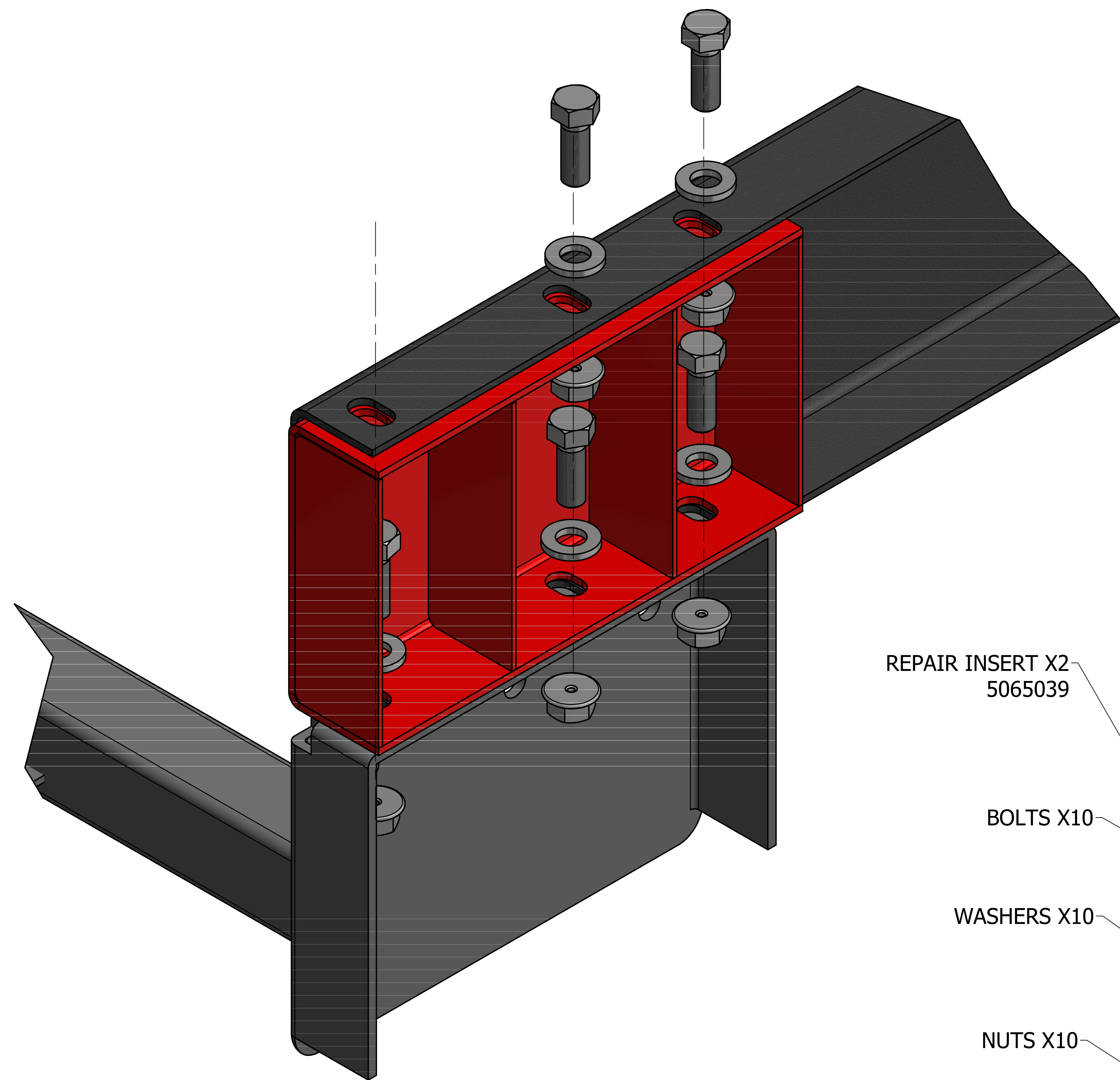


FRAME RAIL EXTENSION WITHOUT GUSSETS

Instructions: Remove bolts, washers, and nuts.
Replace with new pack (5065913) containing Bolts Washers and Nuts.
Torque to 175 ft·lbs

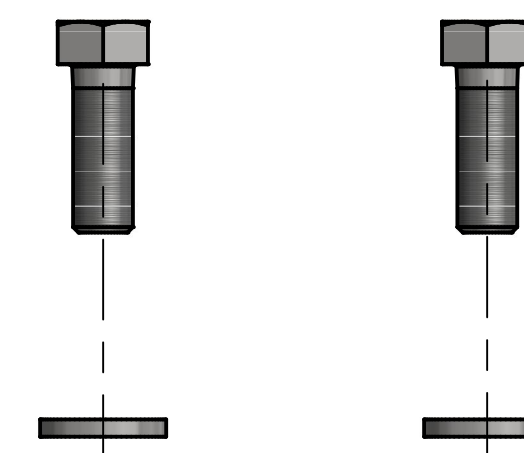


REPAIR INSERT X2
5065039

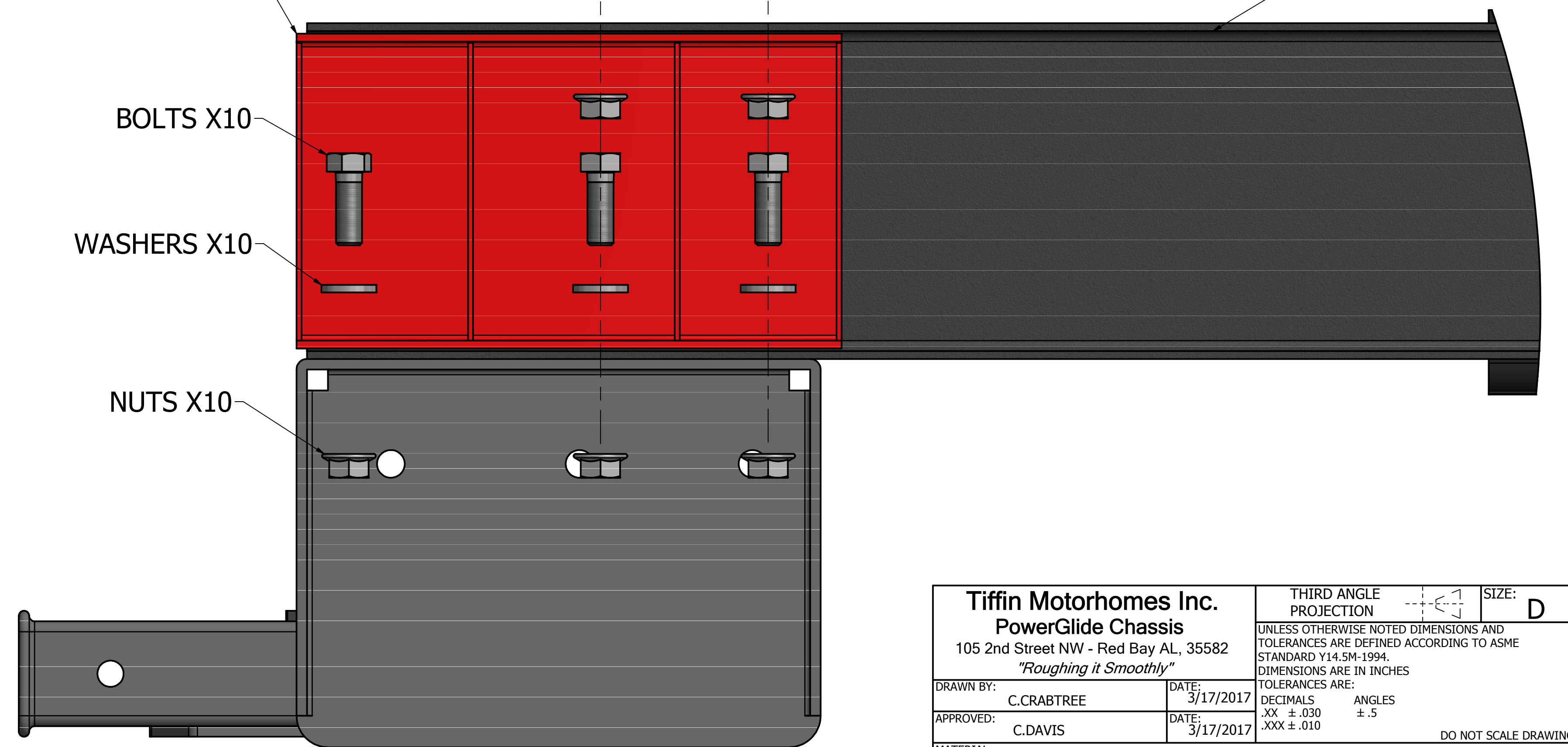
BOLTS X10

WASHERS X10

NUTS X10



RAIL EXTENSION



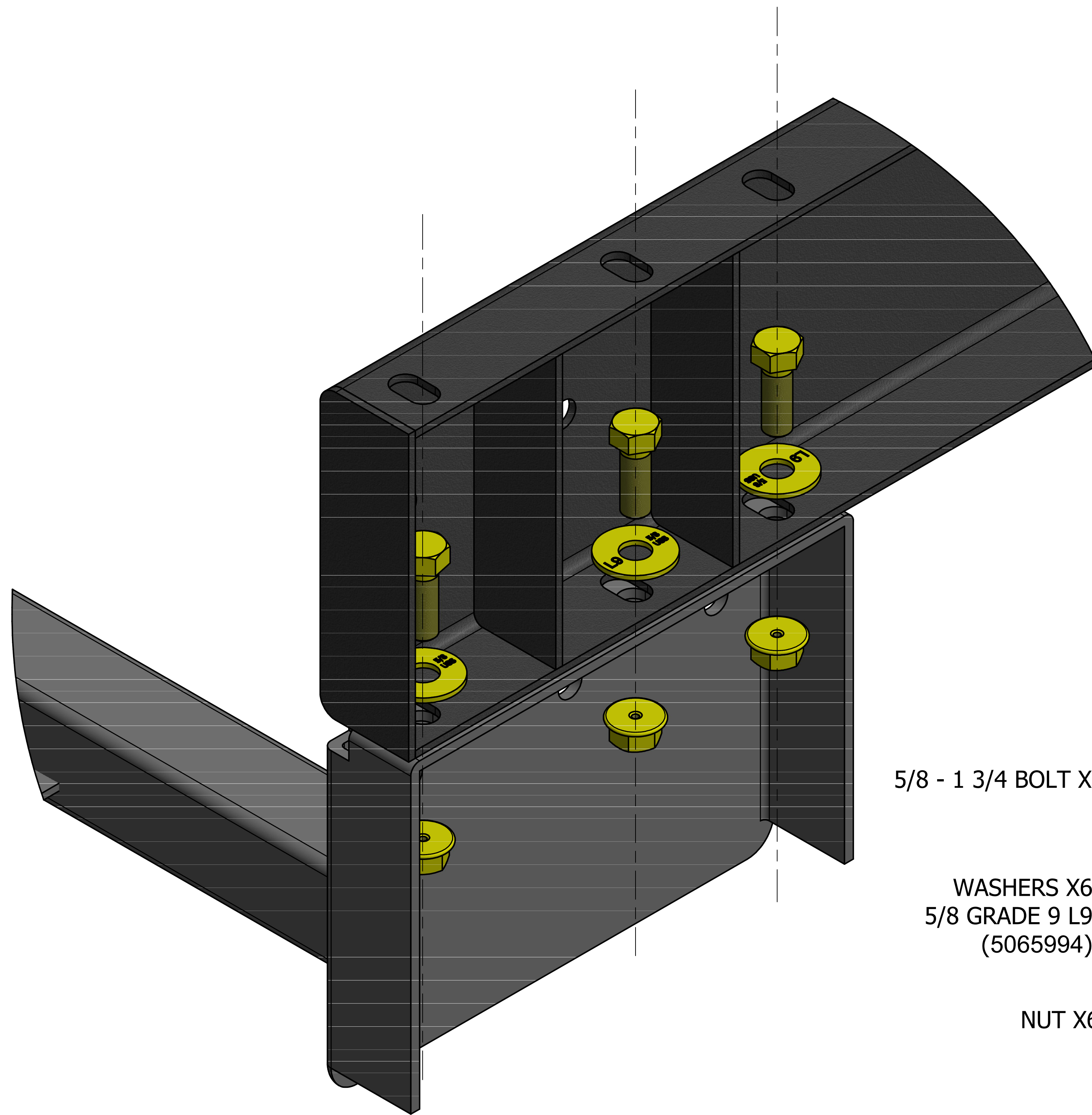
HITCH

Tiffin Motorhomes Inc. PowerGlide Chassis 105 2nd Street NW - Red Bay AL, 35582 <i>"Roughing it Smoothly"</i>		THIRD ANGLE PROJECTION	SIZE: D
<small>UNLESS OTHERWISE NOTED DIMENSIONS AND TOLERANCES ARE DEFINED ACCORDING TO ASME STANDARD Y14.5M-1994. DIMENSIONS ARE IN INCHES</small>			
DRAWN BY: C.CRABTREE	DATE: 3/17/2017	DECIMALS .XX ± .030	ANGLES ± .5
APPROVED: C.DAVIS	DATE: 3/17/2017	TOLERANCES ARE: .XXX ± .010	DO NOT SCALE DRAWING
MATERIAL:			SHEET: 1 / 2
TITLE: Allegro Frame Rail Ext Repair Repair Details			SCALE: NONE
PART NUMBER:	VERSION:	SAP NUMBER:	

CONFIDENTIAL: THIS PRINT IS THE PROPERTY OF TIFFIN MOTORHOMES, AND REPRESENTS A PROPRIETARY ARTICLE IN WHICH TIFFIN MOTORHOMES RETAINS ALL PATENT AND OTHER RIGHTS, INCLUDING EXCLUSIVE RIGHTS OF USE AND/OR MANUFACTURE, AND/OR SALE. POSSESSION OF THIS PRINT DOES NOT CONVEY ANY PERMISSION TO REPRODUCE, PRINT, OR MANUFACTURE ARTICLES SHOWN HEREIN. SUCH PERMISSION IS TO BE GRANTED ONLY BY SPECIFIC AUTHORIZATION IN WRITING, SIGNED BY AN OFFICER OR OTHER AUTHORIZED AGENT OF TIFFIN MOTORHOMES. THEREOF. SPECIFICATION CANNOT BE CHANGED WITHOUT WRITTEN APPROVAL OF TIFFIN MOTORHOMES.

FRAME RAIL EXTENSION WITH GUSSETS

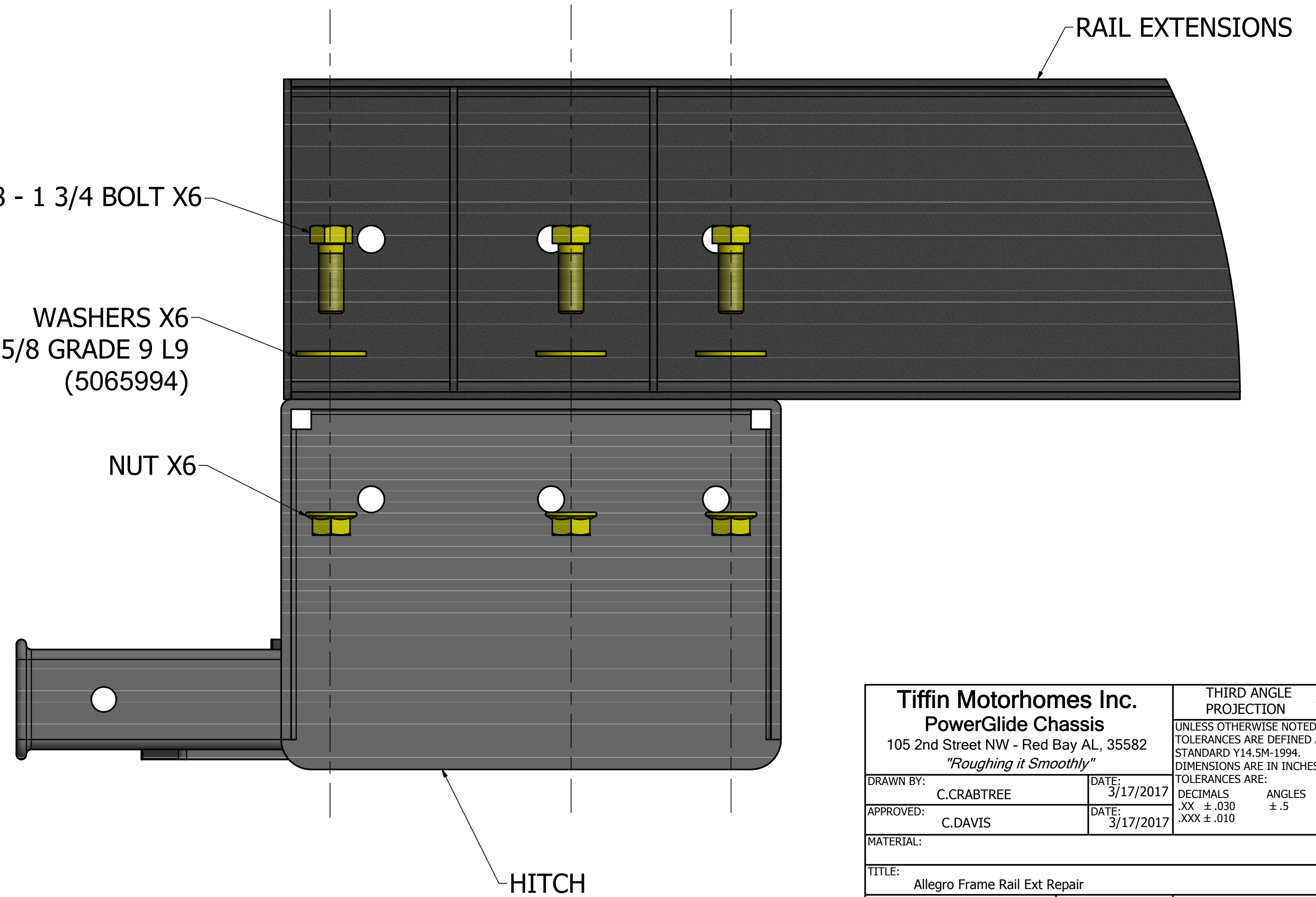
Instructions: Remove bolts, washers, and nuts.
 Replace with new pack (5065913) containing Bolts Washers and Nuts.
Torque to 175 ft·lbs



5/8 - 1 3/4 BOLT X6

WASHERS X6
 5/8 GRADE 9 L9
 (5065994)

NUT X6



Tiffin Motorhomes Inc. PowerGlide Chassis 105 2nd Street NW - Red Bay AL, 35582 <i>"Roughing it Smoothly"</i>		THIRD ANGLE PROJECTION	SIZE: D
<small>UNLESS OTHERWISE NOTED DIMENSIONS AND TOLERANCES ARE DEFINED ACCORDING TO ASME STANDARD Y14.5M-1994. DIMENSIONS ARE IN INCHES</small>		<small>TOLERANCES ARE:</small> DECIMALS ANGLES .XX ± .030 ± .5 .XXX ± .010	<small>DO NOT SCALE DRAWING</small>
<small>DRAWN BY:</small> C.CRABTREE	<small>DATE:</small> 3/17/2017		
<small>APPROVED:</small> C.DAVIS	<small>DATE:</small> 3/17/2017		
<small>MATERIAL:</small>			
<small>TITLE:</small> Allegro Frame Rail Ext Repair		<small>SHEET:</small> 2 / 2	
<small>PART NUMBER:</small> Repair Details	<small>VERSION:</small>	<small>SAP NUMBER:</small>	<small>SCALE:</small> NONE

CONFIDENTIALITY: THIS PRINT IS THE PROPERTY OF TIFFIN MOTORHOMES, AND REPRESENTS A PROPRIETARY ARTICLE IN WHICH TIFFIN MOTORHOMES RETAINS ALL PATENT AND OTHER RIGHTS, INCLUDING EXCLUSIVE RIGHTS OF USE AND/OR MANUFACTURE, AND/OR SALE. POSSESSION OF THIS PRINT DOES NOT CONVEY ANY PERMISSION TO REPRODUCE, PRINT, OR MANUFACTURE ARTICLES SHOWN HEREIN. SUCH PERMISSION IS TO BE GRANTED ONLY BY SPECIFIC AUTHORIZATION IN WRITING, SIGNED BY AN OFFICER OR OTHER AUTHORIZED AGENT OF TIFFIN MOTORHOMES. THEREOF. SPECIFICATION CANNOT BE CHANGED WITHOUT WRITTEN APPROVAL OF TIFFIN MOTORHOMES.