



# Safety Recall

## Code: 20Z4

<b>Subject</b>	<b>Fuel Pump Flange</b>
<b>Release Date</b>	July 25, 2017
<b>Affected Vehicles</b>	<b>U.S.A. &amp; CANADA: Certain 2007-2010 MY Touareg</b> <i>Check Campaigns/Actions screen in Elsa on the day of repair to verify that a VIN qualifies for repair under this action. Elsa is the <u>only</u> valid campaign inquiry &amp; verification source.</i> <ul style="list-style-type: none"><li>✓ Campaign status must show "open."</li><li>✓ If Elsa shows other open action(s), inform your customer so that the work can also be completed at the same time the vehicle is in the workshop for this campaign.</li></ul>
<b>Problem Description</b>	On certain vehicles, the fuel pump flange may develop fine cracks or fissures, which could result in a fuel leak. Leaking fuel, in the presence of an ignition source, could lead to a fire causing injury and/or damage to property.
<b>Corrective Action</b>	If cracks, leaks, and/or yellow discoloration are present, the fuel pump flange will be replaced and a protective film installed onto the fuel pump flange. If no cracks, leaks, and/or yellow discoloration are present, a protective film will be installed onto the fuel pump flange.
<b>Precautions</b>	If a fuel smell is detected in the vehicle, customers are advised to immediately contact the nearest authorized Volkswagen dealer in order to have the vehicle inspected.
<b>Parts Information</b>	<b>7L6919679D (Flange with fuel filter)</b> - Dealers scheduling customer vehicle repairs, please contact the Parts Specialists via phone (800-767-6552, option#2), email ( <a href="mailto:VWvoAPartsSpecialists@vw.com">VWvoAPartsSpecialists@vw.com</a> ) or chat with the VIN and repair order to have part released. <b>1J0919133B (Seal Ring), 8R0863385 (Protective Film), N 91187201 (Bolt)</b> - If your dealership is at the weekly Upper Order Limit, please submit the backordered sales document number to <a href="mailto:upperorderlimits@vw.com">upperorderlimits@vw.com</a> to have additional parts released.
<b>Code Visibility</b>	On or about July 25, 2017, affected vehicles will be listed on the Inventory Vehicle Open Campaign Action report under My Dealership Reports (found on <a href="http://www.vw.com">www.vw.com</a> & OMD Web). A list will not be posted for dealers who do not have any affected vehicles. On or about July 25, 2017, this campaign code will show open on affected vehicles in Elsa. On or about July 25, 2017, affected vehicles will be identified with this campaign code in the VIN Lookup tool at <a href="http://www.vw.com">www.vw.com</a> and on the NHTSA VIN lookup tool at <a href="http://www.safercar.gov">www.safercar.gov</a> .
<b>Owner Notification</b>	Owner notification will take place in July 2017. Owner letter examples are included in this bulletin for your reference.
<b>Additional Information</b>	<b>Please alert everyone in your dealership about this action, including Sales, Service, Parts and Accounting personnel. Contact Warranty if you have any questions.</b> <b>IMPORTANT REMINDER ON VEHICLES AFFECTED BY SAFETY &amp; COMPLIANCE RECALLS</b> <b><u>New Vehicles in Dealer Inventory:</u> It is a violation of Federal law for a dealer to deliver a new motor vehicle or any new or used item of motor vehicle equipment (including a tire) covered by this notification under a sale or lease until the defect or noncompliance is remedied. By law, dealers must correct, prior to delivery for sale or lease, any vehicle that fails to comply</b>

with an applicable Federal Motor Vehicle Safety Standard or that contains a defect relating to motor vehicle safety.

**Pre-Owned Vehicles in Dealer Inventory: Dealers should not deliver any pre-owned vehicles in their inventory which are involved in a safety or compliance recall until the defect has been remedied.**

Dealers must ensure that every affected inventory vehicle has this campaign completed before delivery to consumers.

Fill out and affix Campaign Completion Label (CAMP 010 000) after work is complete.

*Labels can be ordered at no cost via the Compliance Label Ordering portal at [www.vwhub.com](http://www.vwhub.com).*

### Claim Entry Instructions

After campaign has been completed, enter claim as soon as possible to help prevent work from being duplicated elsewhere. Attach the Elsa screen print showing action open on the day of repair to the repair order.

If customer refused campaign work:

- ✓ U.S. dealers: Submit request via WISE under the *Campaigns/Update/Recall Closure* option.
- ✓ Canada dealers: Fax repair order to Warranty at (905) 428-4811.

<b>Service Number</b>	20Z4																									
<b>Damage Code</b>	0099																									
<b>Parts Vendor Code</b>	WWO																									
<b>Claim Type</b>	Sold vehicle: 7 10 Unsold vehicle: 7 90																									
<b>Causal Indicator</b>	Mark protective film* as causal part																									
<b>Vehicle Wash/Loaner</b>	Do not claim wash/loaner under this action																									
<b>Criteria I.D.</b>	01																									
	<p><b>-if cracks, leaks, and/or yellow discoloration <u>ARE NOT</u> found-</b></p> <p>Check fuel filter flange. Cracks, leaks, and/or yellow discoloration <u>NOT</u> found, install protective film, and reinstall bench seat.</p> <p>Labor operation: 7249 19 99                      50 T.U.</p> <table border="1"> <thead> <tr> <th><u>Quantity</u></th> <th><u>Part Number</u></th> <th><u>Part Description</u></th> </tr> </thead> <tbody> <tr> <td>1.00</td> <td>8R0863385</td> <td>Protective Film*</td> </tr> <tr> <td>2.00</td> <td>N 91187201</td> <td>Bolt</td> </tr> </tbody> </table> <p><b>-OR if cracks, leaks, and/or yellow discoloration <u>ARE</u> found-</b></p> <p>Check fuel filter flange. Cracks, leaks, and/or yellow discoloration <u>ARE</u> found. Replace fuel filter flange, install protective film, and reinstall bench seat.</p> <p>Labor operation: 2031 19 99                      75 T.U.</p> <table border="1"> <thead> <tr> <th><u>Quantity</u></th> <th><u>Part Number</u></th> <th><u>Part Description</u></th> </tr> </thead> <tbody> <tr> <td>1.00</td> <td>7L6919679D</td> <td>Fuel filter with flange</td> </tr> <tr> <td>1.00</td> <td>1J0919133B</td> <td>Seal Ring</td> </tr> <tr> <td>1.00</td> <td>8R0863385</td> <td>Protective Film*</td> </tr> <tr> <td>2.00</td> <td>N 91187201</td> <td>Bolt</td> </tr> </tbody> </table>		<u>Quantity</u>	<u>Part Number</u>	<u>Part Description</u>	1.00	8R0863385	Protective Film*	2.00	N 91187201	Bolt	<u>Quantity</u>	<u>Part Number</u>	<u>Part Description</u>	1.00	7L6919679D	Fuel filter with flange	1.00	1J0919133B	Seal Ring	1.00	8R0863385	Protective Film*	2.00	N 91187201	Bolt
<u>Quantity</u>	<u>Part Number</u>	<u>Part Description</u>																								
1.00	8R0863385	Protective Film*																								
2.00	N 91187201	Bolt																								
<u>Quantity</u>	<u>Part Number</u>	<u>Part Description</u>																								
1.00	7L6919679D	Fuel filter with flange																								
1.00	1J0919133B	Seal Ring																								
1.00	8R0863385	Protective Film*																								
2.00	N 91187201	Bolt																								

**Continue to next page**

	<p><b>-and ONLY if damage to wire harness seal is present-</b></p> <p>Repair wire harness connector.</p> <p>Labor operation: 2031 20 99 up to 100 T.U.</p> <table border="1"> <thead> <tr> <th><u>Quantity</u></th> <th><u>Part Number</u></th> <th><u>Part Description</u></th> </tr> </thead> <tbody> <tr> <td>As Required</td> <td>Per ETKA</td> <td>Connector</td> </tr> <tr> <td>As Required</td> <td>Per ETKA</td> <td>Wires</td> </tr> <tr> <td>As Required</td> <td>Per ETKA</td> <td>Connector Seal</td> </tr> </tbody> </table>	<u>Quantity</u>	<u>Part Number</u>	<u>Part Description</u>	As Required	Per ETKA	Connector	As Required	Per ETKA	Wires	As Required	Per ETKA	Connector Seal																		
<u>Quantity</u>	<u>Part Number</u>	<u>Part Description</u>																													
As Required	Per ETKA	Connector																													
As Required	Per ETKA	Wires																													
As Required	Per ETKA	Connector Seal																													
<b>Criteria I.D.</b>	02																														
	<p><b>-if cracks, leaks, and/or yellow discoloration <u>ARE NOT</u> found-</b></p> <p>Check fuel filter flange. Cracks, leaks, and/or yellow discoloration <u>NOT</u> found, install protective film.</p> <p>Labor operation: 7249 20 99 30 T.U.</p> <table border="1"> <thead> <tr> <th><u>Quantity</u></th> <th><u>Part Number</u></th> <th><u>Part Description</u></th> </tr> </thead> <tbody> <tr> <td>1.00</td> <td>8R0863385</td> <td>Protective Film*</td> </tr> </tbody> </table> <p><b>-OR if cracks, leaks, and/or yellow discoloration <u>ARE</u> found-</b></p> <p>Check fuel filter flange. Cracks, leaks, and/or yellow discoloration <u>ARE</u> found. Replace fuel filter flange, install protective film.</p> <p>Labor operation: 2031 21 99 50 T.U.</p> <table border="1"> <thead> <tr> <th><u>Quantity</u></th> <th><u>Part Number</u></th> <th><u>Part Description</u></th> </tr> </thead> <tbody> <tr> <td>1.00</td> <td>7L6919679D</td> <td>Fuel filter with flange</td> </tr> <tr> <td>1.00</td> <td>1J0919133B</td> <td>Seal Ring</td> </tr> <tr> <td>1.00</td> <td>8R0863385</td> <td>Protective Film*</td> </tr> </tbody> </table> <p><b>-and ONLY if damage to wire harness seal is present-</b></p> <p>Repair wire harness connector.</p> <p>Labor operation: 2031 20 99 up to 100 T.U.</p> <table border="1"> <thead> <tr> <th><u>Quantity</u></th> <th><u>Part Number</u></th> <th><u>Part Description</u></th> </tr> </thead> <tbody> <tr> <td>As Required</td> <td>Per ETKA</td> <td>Connector</td> </tr> <tr> <td>As Required</td> <td>Per ETKA</td> <td>Wires</td> </tr> <tr> <td>As Required</td> <td>Per ETKA</td> <td>Connector Seal</td> </tr> </tbody> </table>	<u>Quantity</u>	<u>Part Number</u>	<u>Part Description</u>	1.00	8R0863385	Protective Film*	<u>Quantity</u>	<u>Part Number</u>	<u>Part Description</u>	1.00	7L6919679D	Fuel filter with flange	1.00	1J0919133B	Seal Ring	1.00	8R0863385	Protective Film*	<u>Quantity</u>	<u>Part Number</u>	<u>Part Description</u>	As Required	Per ETKA	Connector	As Required	Per ETKA	Wires	As Required	Per ETKA	Connector Seal
<u>Quantity</u>	<u>Part Number</u>	<u>Part Description</u>																													
1.00	8R0863385	Protective Film*																													
<u>Quantity</u>	<u>Part Number</u>	<u>Part Description</u>																													
1.00	7L6919679D	Fuel filter with flange																													
1.00	1J0919133B	Seal Ring																													
1.00	8R0863385	Protective Film*																													
<u>Quantity</u>	<u>Part Number</u>	<u>Part Description</u>																													
As Required	Per ETKA	Connector																													
As Required	Per ETKA	Wires																													
As Required	Per ETKA	Connector Seal																													

## Customer Letter Example (USA)

<MONTH YEAR>

<CUSTOMER NAME>

<CUSTOMER ADDRESS>

<CUSTOMER CITY STATE ZIPCODE>

**This notice applies to your vehicle:** <VIN>

**NHTSA:** 17V151

**Subject: Safety Recall 2024 – Fuel Pump Flange  
Certain 2007-2010 Model Year Volkswagen Touareg**

Dear Volkswagen Owner,

This notice is sent to you in accordance with the National Traffic and Motor Vehicle Safety Act. Volkswagen has decided that a defect, which relates to motor vehicle safety, exists in certain 2007-2010 model year Volkswagen Touareg vehicles. Our records show that you are the owner of a vehicle affected by this action.

- What is the issue?** On certain vehicles, the fuel pump flange may develop fine cracks or fissures, which could result in a fuel leak. Leaking fuel, in the presence of an ignition source, could lead to a fire causing injury and/or damage to property.
- What will we do?** To correct this defect, your authorized Volkswagen dealer will inspect the fuel filter flange and if cracks, leaks, or yellow discoloration are present, the fuel pump flange will be replaced. This work will take about one hour to complete and will be performed for you free of charge.
- What should you do?** Please contact your authorized Volkswagen dealer without delay to schedule this recall repair. For your convenience, you can also visit [www.vw.com](http://www.vw.com) and click on the “Owners” link to locate a dealer near you and schedule this service online.
- Precautions you should take** If you smell fuel in the vehicle, immediately contact the nearest authorized Volkswagen dealer in order to have your vehicle inspected.
- Lease vehicles and address changes** If you are the lessor and registered owner of the vehicle identified in this action, the law requires you to forward this letter immediately via first-class mail to the lessee within ten (10) days of receipt. If you have changed your address or sold the vehicle, please fill out the enclosed prepaid Owner Reply card and mail it to us so we can update our records.
- Reimbursement of Expenses** If you have previously paid for repairs relating to the condition described in this letter, please refer to the enclosed form that explains how to request reimbursement.
- Can we assist you further?** If your authorized Volkswagen dealer fails or is unable to complete this work free of charge within a reasonable time, or if you should have any questions about this communication, please reach out to us using your preferred method of communication at [www.vw.com/contact](http://www.vw.com/contact) or by calling 1 800-893-5298. Our phone team is available Monday through Friday from 8AM to 10PM EST and Saturday from 9AM to 5PM EST.
- Checking your vehicle for open Recalls and Service Campaigns** To check your vehicle’s eligibility for repair under this or any other recall/service campaign, please click on the **Look Up Recalls** link at [www.vw.com](http://www.vw.com) and enter your Vehicle Identification Number (VIN) into the **Recall/Service Campaign Lookup** tool.

If you still cannot obtain satisfaction, you may file a complaint with: The Administrator, National Highway Traffic Safety Administration, 1200 New Jersey Avenue, SE., Washington, DC 20590; or call the toll-free Vehicle Safety Hotline at 1-888-327-4236 (TTY: 1-800-424-9153); or go to <http://www.safercar.gov>.

We apologize for any inconvenience this matter may cause; however we are taking this action to help ensure your safety and continued satisfaction with your vehicle.

Sincerely,

Volkswagen Customer Protection

## Customer Letter Example (CANADA)

<MONTH YEAR>

<CUSTOMER NAME>

<CUSTOMER ADDRESS>

<CUSTOMER CITY STATE ZIPCODE>

**This notice applies to your vehicle:** <VIN>

**Subject: Safety Recall 2024 – Fuel Pump Flange  
Certain 2007-2010 Model Year Volkswagen Touareg**

Dear Volkswagen Owner,

This notice is sent to you in accordance with the requirements of the Motor Vehicle Safety Act. Volkswagen has decided that a defect, which relates to motor vehicle safety, exists in certain 2007-2010 model year Volkswagen Touareg vehicles. Our records show that you are the owner of a vehicle affected by this action.

- What is the issue?** On certain vehicles, the fuel pump flange may develop fine cracks or fissures, which could result in a fuel leak. Leaking fuel, in the presence of an ignition source, could lead to a fire causing injury and/or damage to property.
- What will we do?** To correct this defect, your authorized Volkswagen dealer will inspect the fuel filter flange and if cracks, leaks, or yellow discoloration are present, the fuel pump flange will be replaced. This work will take about one hour to complete and will be performed for you free of charge.
- What should you do?** Please contact your authorized Volkswagen dealer without delay to schedule this recall repair.
- Precautions you should take** If you smell fuel in the vehicle, immediately contact the nearest authorized Volkswagen dealer in order to have your vehicle inspected.
- Lease vehicles and address changes** If you are the lessor and registered owner of the vehicle identified in this action, the law requires you to forward this letter immediately via first-class mail to the lessee within ten (10) days of receipt. If you have changed your address or sold the vehicle, please fill out the enclosed prepaid Owner Reply card and mail it to us so we can update our records.
- Reimbursement of Expenses** If you have previously paid for repairs relating to the condition described in this letter, please refer to the enclosed form that explains how to request reimbursement.
- Can we assist you further?** If your authorized Volkswagen dealer fails or is unable to complete this work free of charge within a reasonable time, please contact Customer Relations, Monday through Friday from 8AM to 8PM EST by phone at 1-800-822-8987 or via our "Contact Us" page at [www.vw.ca](http://www.vw.ca).

We apologize for any inconvenience this matter may cause; however we are taking this action to help ensure your safety and continued satisfaction with your vehicle.

Sincerely,

Volkswagen Customer Protection







**! NOTE**

Damages resulting from improper repair or failure to follow these work instructions are the dealer's responsibility and are not eligible for reimbursement under this action.

**Required Parts**

<u>Quantity</u>	<u>Part Number</u>	<u>Part Description</u>
1	8R0863385	Protective Film
2	N 91187201	Bolt <b>(criteria 01 only)</b>
-OR-		
1	7L6919679D	Fuel filter with flange
1	1J0919133B	Seal Ring
1	8R0863385	Protective Film
2	N 91187201	Bolt <b>(criteria 01 only)</b>

## Required Tools

 <p>Fuel Extracting Device -VAS5190A- (or equivalent)</p>	 <p>Elbow Assembly Tool -T10118-</p>
 <p>Wrench - Fuel Sending Unit -T10202-</p>	 <p>Torque Wrench (4 - 20 Nm) -1410- (or equivalent)</p>
 <p>Torque Wrench (40 – 200 Nm) -1332- (or equivalent)</p>	 <p>Safety Gloves and Safety Goggles</p>



## Repair Instruction

### Section A - Check for Previous Repair

#### TIP

If Campaign Completion label is present, no further work is required.

Applicable criteria ID(s)	Campaign/Action Status
01 ← <b>2</b>	Open ← <b>1</b>

**EXAMPLE**

- Enter the VIN in Elsa and proceed to the “Campaign/Action” screen.

#### TIP

On the date of repair, print this screen and keep a copy with the repair order.

- Confirm the Campaign/Action is open <arrow 1>. If the status is closed, no further work is required.
- Note the Applicable Criteria ID <arrow 2> for use in determining the correct work to be done and corresponding parts associated.

**Proceed to Section B**

## Section B – Inspection of Fuel Filter Flange

### **⚠ WARNING**

Risk of injury. Refer to “Warning and Safety Precautions”, found in **Appendix A** at the end of this document.

### **! NOTE**

- Damages resulting from improper repair or failure to follow these work instructions are the dealer's responsibility and are not eligible for reimbursement under this action.
- This procedure must be read in its entirety prior to performing the repair.
- Due to variations in vehicle equipment and options, the steps/illustrations in this work procedure may not identically match all affected vehicles.
- Diagnosis and repair of pre-existing conditions in the vehicle are not covered under this action.



- Turn the ignition to the ON position and check the vehicle fuel level displayed on the instrument cluster <A>.
- Record the vehicle fuel level on the repair order.

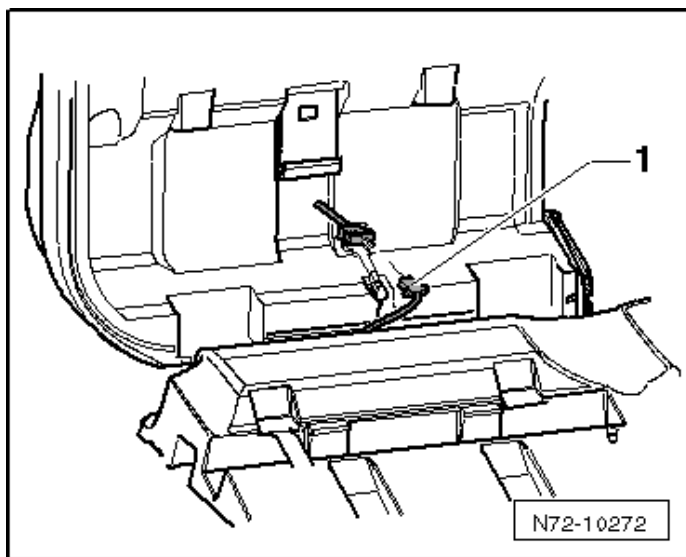
### **! NOTE**

If the fuel level in the vehicle is at or below ½ tank, then it is possible to perform all operations in this bulletin without extracting any fuel using the Fuel Extracting Device -VAS5190A-. Record the fuel level before performing battery disconnection, if required.

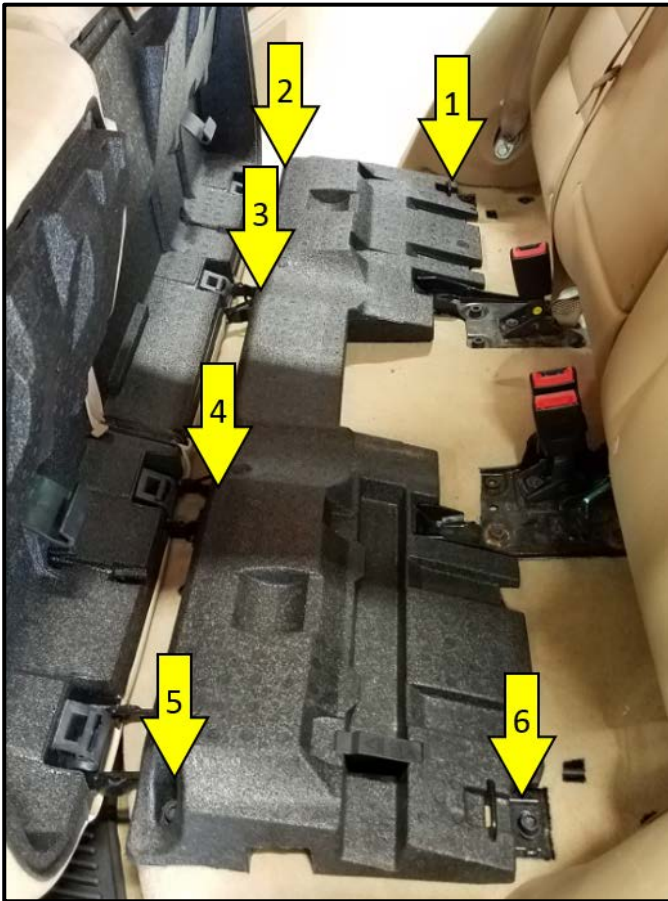
- Switch the ignition off and remove the ignition key from the vehicle.
- Fold the rear seat bench forward.

#### **Vehicles with Criteria 01:**

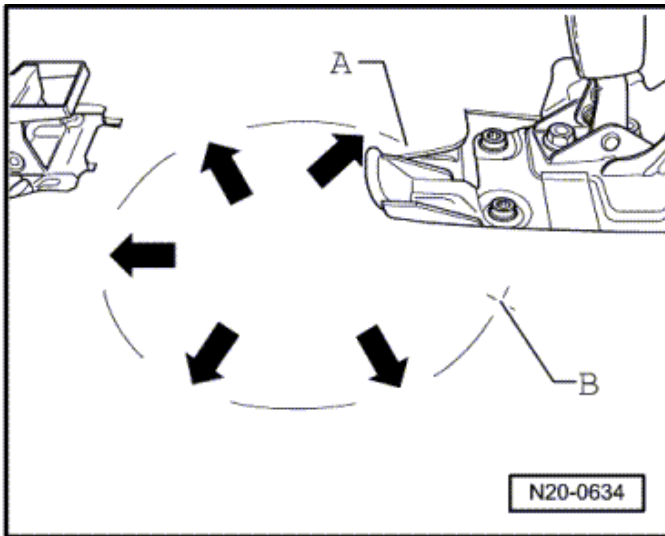
- For vehicles equipped with rear bench seat heating, disconnect seat heating wiring harness <1> from left and right sides.



N72-10272

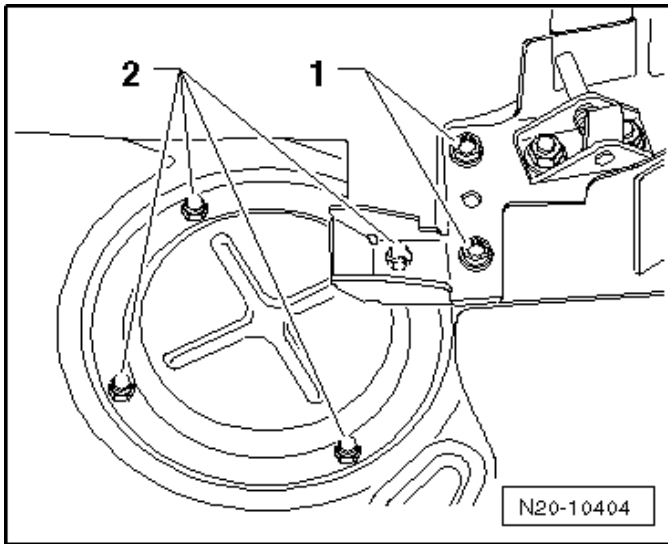


- Remove rear bench seat bolts <1 through 6>.
- Remove rear bench seat with support piece from vehicle.



**Continued for all vehicles:**

- If necessary, cut open the carpet on the left side from point <A> to point <B> in the precut area <arrow>.



- Remove nuts <2>.

**Vehicles with Criteria 01 only:**

- Remove the bolts <1> and pry the mounting bracket up slightly. Remove the nuts <2> and remove the cover.

**NOTE**

- For vehicles with **criteria 01**, it is not necessary to remove all four bolts from the backrest bracket, only bolts <1> require removal. If the other two bolts are removed, they will require replacement. This campaign only covers replacement of two backrest bracket bolts.
- For vehicles with **criteria 02**, bolts <1> do not require removal to access the fuel flange cover nuts <2>.



**Continued for all vehicles:**

- Clean the top of the fuel filter flange with a suitable plastic cleaner.

**NOTE**

Use a suitable cloth to apply the plastic cleaner; do not spray the plastic cleaner directly onto the fuel filter flange.



- If there is a visible presence of leaking fuel;
  - **Continue to Section D and Replace the Fuel Filter Flange and install the protective film.**
  - **All others continue to the next step.**



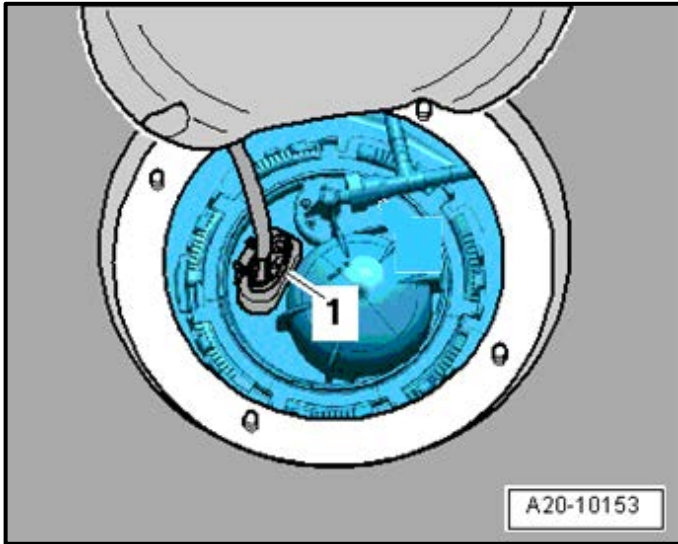
- If there are no signs of leaking present, but there **ARE** cracks <circle> and/or yellow discoloration present;
  - **Continue to Section D and Replace the Fuel Filter Flange and install the protective film.**
  - **All others continue to the next step.**



- If there are **NO** cracks, leaks, and/or yellow discoloration present;
  - **Continue to Section C and install the protective film.**



## Section C – Install Protective Film



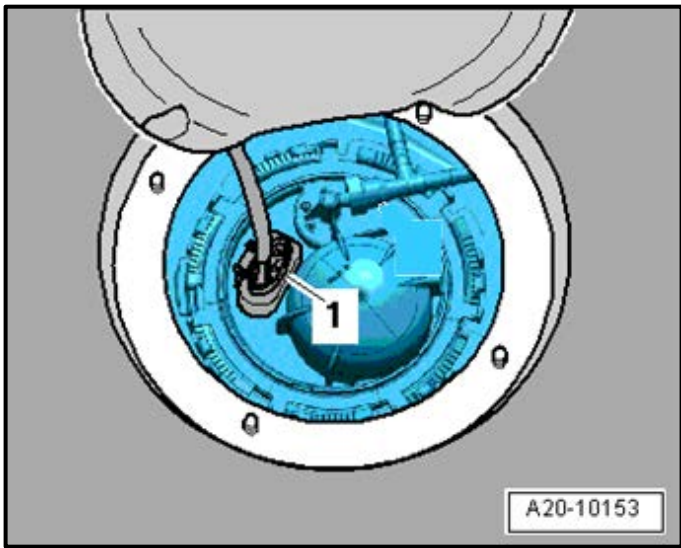
- Disconnect connector <1>.



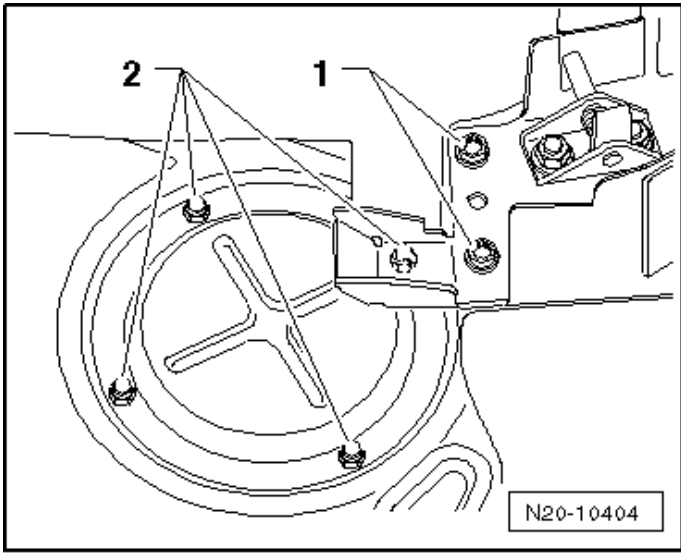
- Apply protective film as shown. Start application from the center and work the protective film towards the outside edges of the fuel pump flange taking care to eliminate air gaps or bubbles under the film.

Part Number	Part Description
8R0863385	Protective Film

- Use care when applying protective film so that no dust or dirt comes in contact with the adhesion side of the film.



- Reconnect connector <1>.



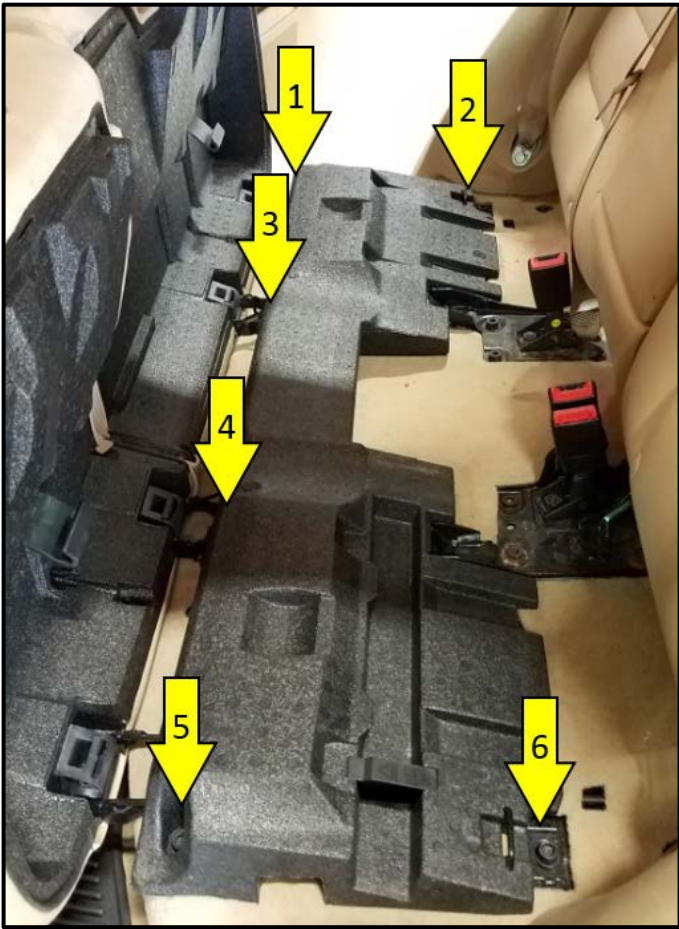
- Install flange cover and nuts <2>.

**Vehicles with Criteria 01:**

- Clean the threads in the body for bolts <1> before installing bolts.
- Install new bolts <1> and torque to 20 Nm.

Part Number	Part Description
N 91187201	Bolt

- If necessary, reposition carpet over fuel filter flange cover.



**Vehicles with Criteria 01:**

- Install rear bench seat and torque bolts <1 through 6> to 55 Nm.
- On vehicles equipped with seat heating, connect the seat heating wiring harness on both bench seats.

**All Vehicles:**

- Fold rear seat bench to the closed position.

**Repair Complete - Proceed to section E.**



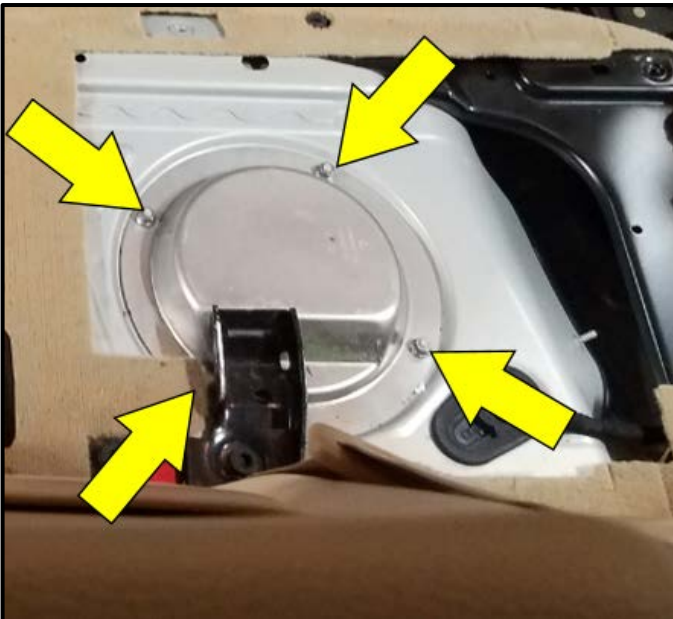
## Section D – Replace Fuel Filter Flange and Apply Protective Film

### NOTE

- After replacement of the Fuel Filter Flange, application of the Protective Film is required. Follow the work instructions for additional details.
- If the electrical harness requires repair, refer to ETKA and ELSA for additional required parts and repair information.



- If the fuel filter flange was leaking fuel, inspect the wiring harness connector carefully for damage due to fuel wicking into the weather pack seals.
- If damage to the weather pack seal and/or wiring harness is discovered, be sure to order the appropriate wires, seals and connector to correctly repair the damaged harness.



- Remove nuts <arrows> from the fuel delivery unit cover located on the passenger side of the vehicle.

### NOTE

- It is not necessary to remove any bolts from the passenger backrest bracket.
- It is not necessary to remove the fuel delivery unit.



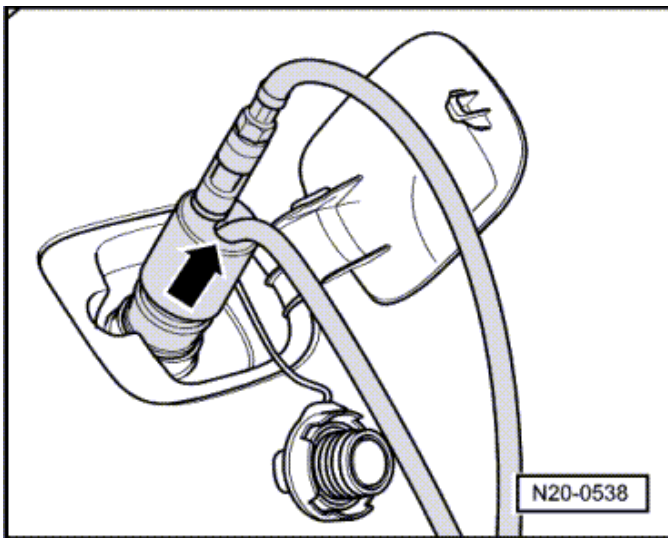
- At the fuel delivery unit, unlock and disconnect the connector <arrow>.

### **⚠ WARNING**

- **Do not remove the fuel delivery unit from the fuel tank.**
- The fuel delivery unit will need to be disabled to prevent spraying fuel in the event the driver door is opened or the ignition is turned on when the fuel filter flange is removed.

### **! NOTE**

- The fuel delivery unit must be disconnected before removing fuel from the vehicle. If fuel removal is required and the fuel delivery unit is not disconnected, it is possible to experience fuel level sender faults upon completion of this campaign.
- It is not necessary to remove the fuel delivery unit from the fuel tank.



### **! NOTE**

If the fuel level in the vehicle is at or below  $\frac{1}{2}$  tank, then it is possible to replace the fuel filter flange without extracting any fuel using the Fuel Extracting Device -VAS5190A-.

- If necessary, drain the fuel tank using Fuel Extracting Device -VAS5190A-.
- Open the fuel tank flap.
- Insert the suction hose <arrow> from the Fuel Extracting Device -VAS5190A- about 170 to 180 cm into the fuel filler neck and extract the fuel.

### **! NOTE**

When no more fuel can be extracted, the tank is emptied enough for the fuel filter flange to be removed.

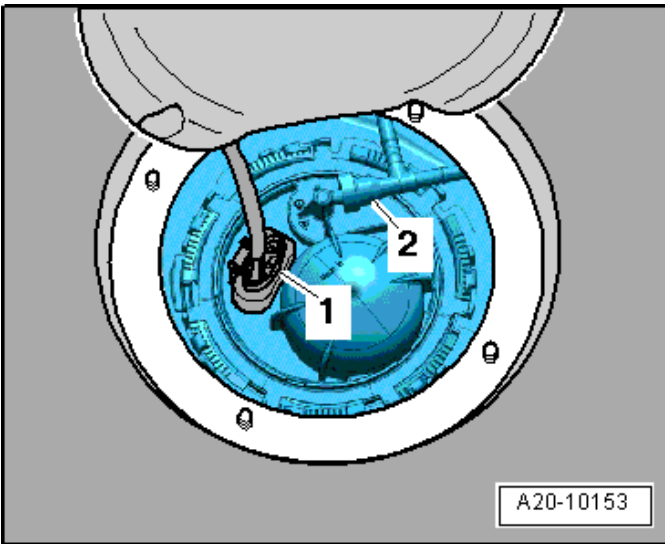


### **⚠ WARNING**

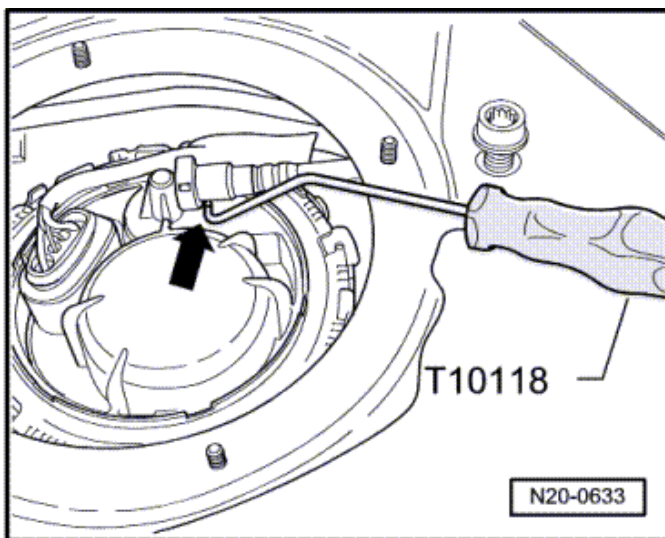
There is a risk of fuel leaking out from the filled fuel filter flange. Lay cloths, rags, or other absorbent material below to catch the leaking fuel.

### **⚠ CAUTION**

Dispose of all absorbent material contaminated with gasoline or any other fuel in accordance with Local and Federal guidelines.



- Clean and/or vacuum the area around the fuel filter flange opening to ensure no debris falls into the fuel tank during the repair.
- Disconnect filter flange electrical connector <1> and fuel tank vent line <2>.

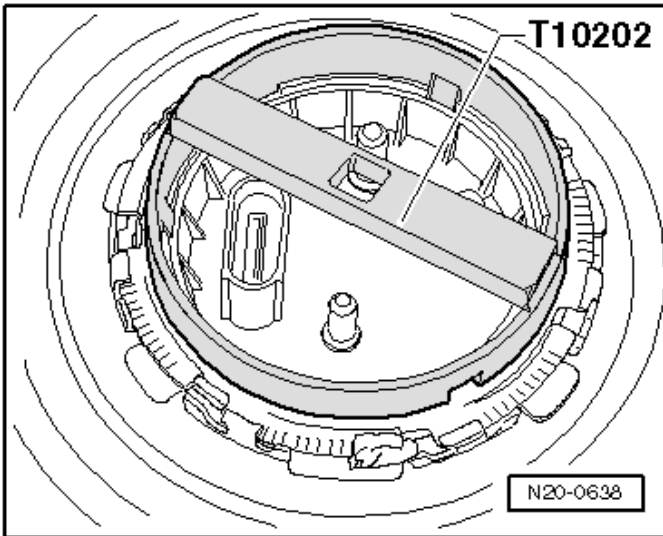


### **i TIP**

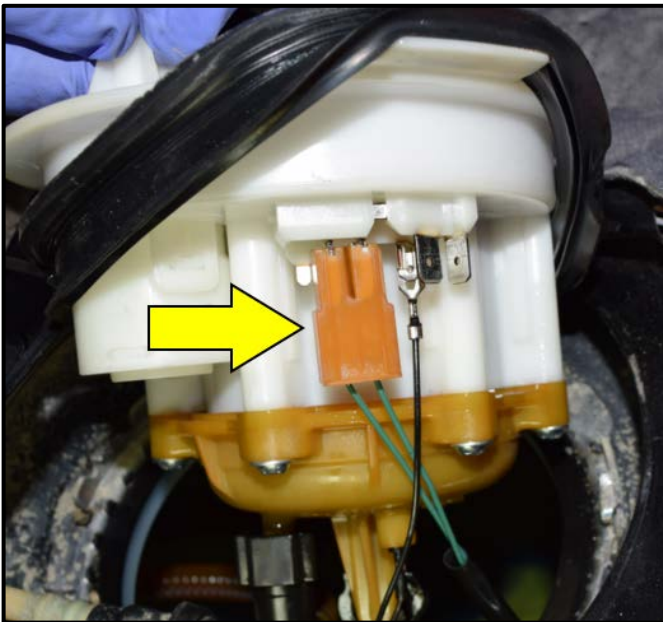
When disconnecting the ventilation line, the release tab often cannot be pressed in. In that case, use the Elbow Assembly Tool -T10118- <arrow>.

### **! NOTE**

- Do not use pliers or tools other than the -T10118- on the fuel line connector or damage to the connector may occur.
- Damage to the fuel line connector due to improper removal/installation may cause the connector to not fasten securely upon reinstallation, causing a leak.
- A damaged fuel line connector requires replacement of the fuel line.
- Consequential damage to the fuel line connector due to improper removal/installation is not covered under this campaign.

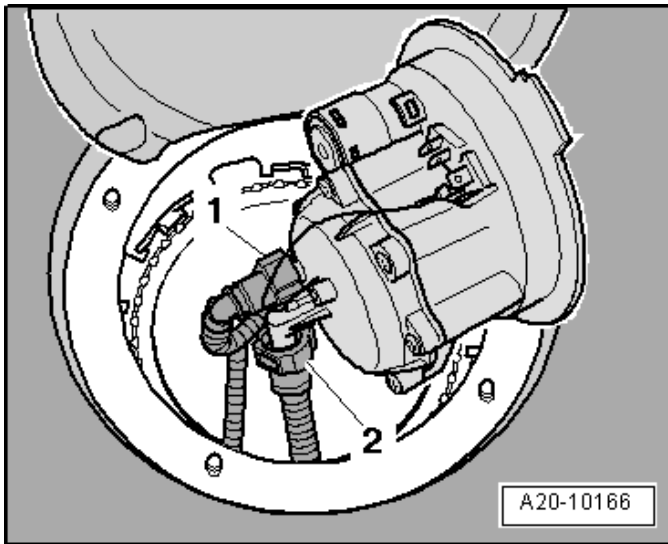


- Remove the locking ring from the fuel filter flange using the Wrench -T10202-.
- Carefully pry out the fuel filter flange and raise it slightly.



- Disconnect fuel level sensor connector <arrow>.





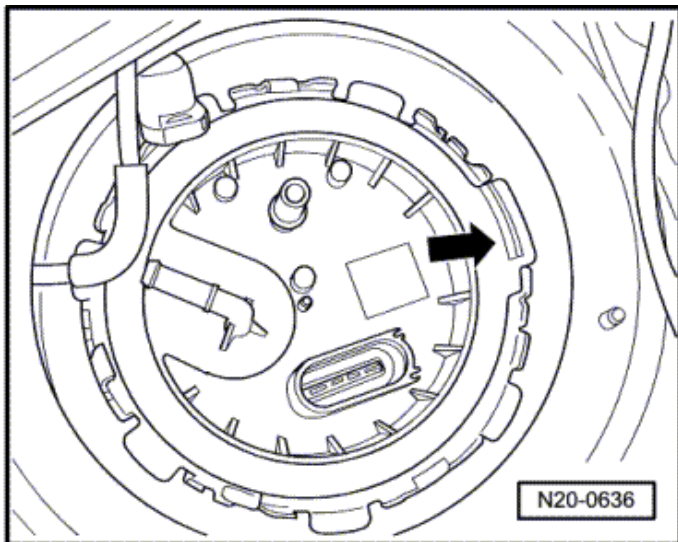
**WARNING**

- The fuel supply lines are under pressure! Wear protective goggles and protective gloves to avoid injury.
- Wrap a cloth around the connection before removing a fuel hose. Then release pressure by carefully pulling hose off the connection.
- When removing the fuel lines, remove fuel line <1> first and ensure any fuel that comes out empties back into the fuel tank.
- Damage to the fuel line connector due to improper removal/installation may cause the connector to not fasten securely upon reinstallation, causing a no start or stalling condition.

- Disconnect fuel lines <1> and <2> from fuel filter flange by squeezing the release tabs between the finger and thumb, pushing IN on the connector, then pulling OFF.
- Remove fuel filter flange and seal.

**NOTE**

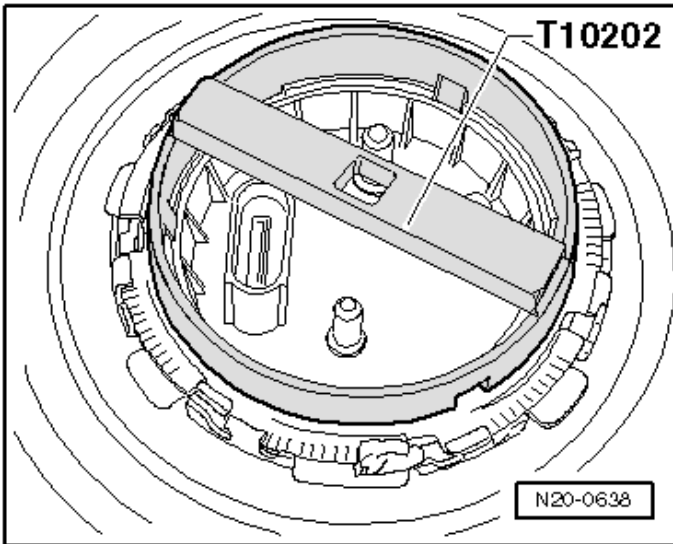
- Do not use pliers or other tools on the fuel line connector or damage to the connector may occur.
- A damaged fuel line connector requires replacement of the fuel tank and is not covered under this campaign.



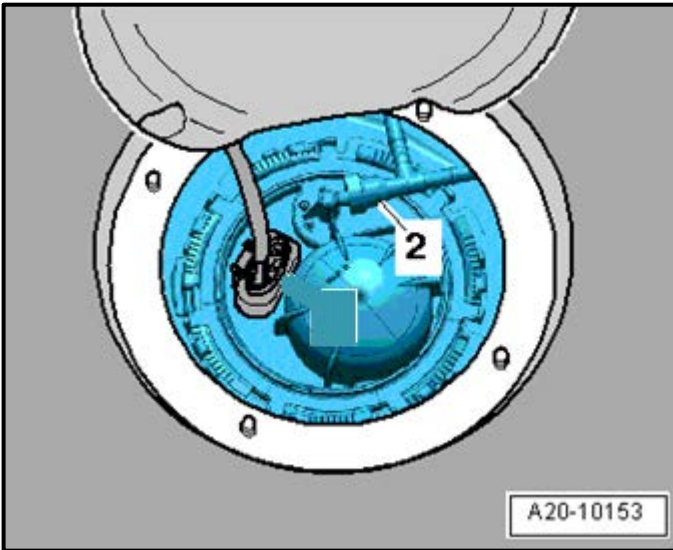
- Install the new fuel filter flange seal ring into the fuel tank opening.
- Reconnect fuel lines and fuel level sensor connector.
- Install the new fuel filter flange into the fuel tank.

Part Number	Part Description
7L6919679D	Fuel filter with flange
1J0919133B	Seal Ring

- Verify the locating tab <arrow> is in the correct position before reinstalling the locking ring.



- Reinstall the locking ring onto the fuel filter flange using the Wrench -T10202- and torque the locking ring to 110 Nm.



- Reconnect the fuel vent line <2>.



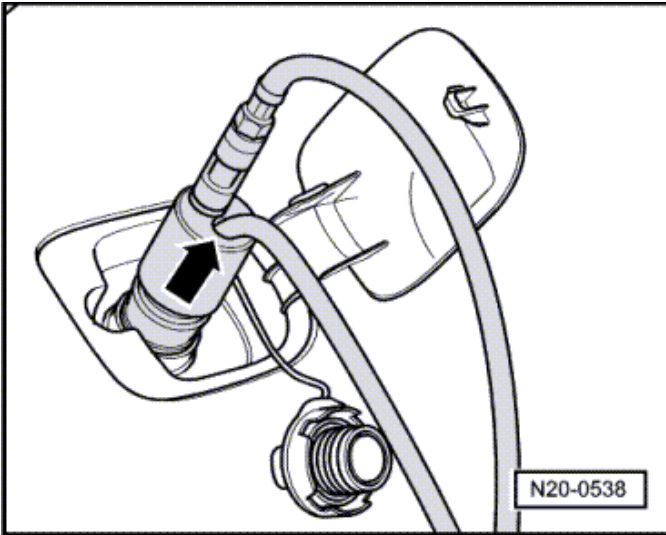
- Apply protective film as shown. Start application from the center and work the protective film towards the outside edges of the fuel pump flange taking care to eliminate air gaps or bubbles under the film.

Part Number	Part Description
8R0863385	Protective Film

- Use care when applying protective film so that no dust or dirt comes in contact with the adhesion side of the film.



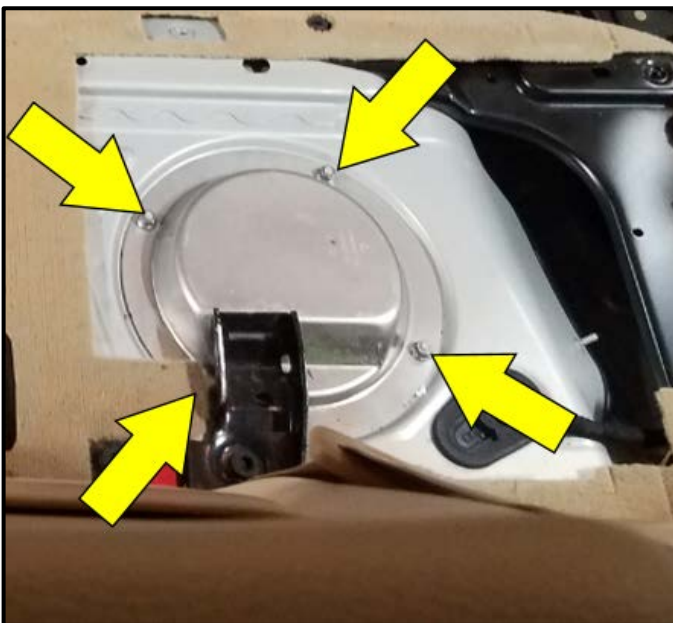
- If required, repair the wiring harness connector, wiring, and weather pack seals before reconnecting the connector to the fuel filter flange.



- If fuel was removed due to replacement of the fuel filter flange, dispense recovered fuel contained in the -VAS5190A- Fuel Extracting Device back into the vehicle fuel tank at this time.

**⚠ CAUTION**

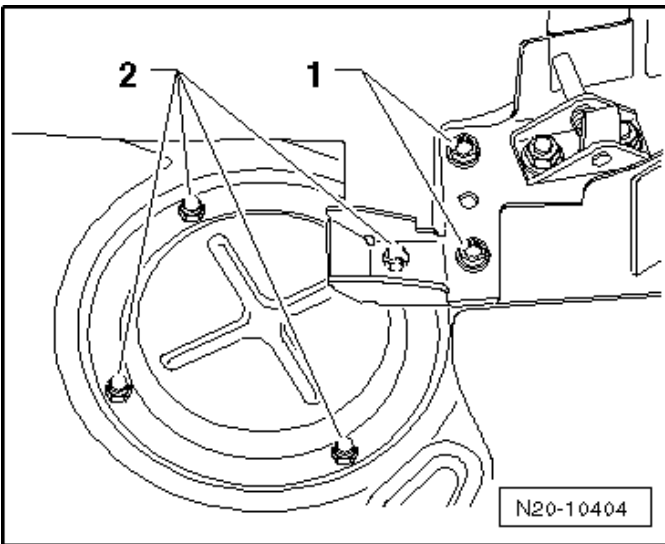
Refer to the previously recorded fuel measurement obtained from the -VAS5190A- Fuel Extraction Unit sightglass. Be certain to refill the vehicle fuel tank with the same amount of fuel that was originally extracted from the vehicle or fuel sending unit faults may occur.



- Reconnect fuel delivery unit connector and engage the lock.
- Install fuel delivery unit cover and nuts <arrows>.



- Turn on the ignition.
- Cycle the ignition four to five times to prime the fuel system.
- Start the vehicle to verify fuel system functionality and check for leaks.
- If any fuel was removed, check the vehicle fuel level displayed on the instrument cluster <A>.
- Refer to the vehicle fuel level on the repair order and verify the proper operation of the fuel level gauge, and that the correct amount of fuel has been returned to the vehicle from the Fuel Extracting Device -VAS5190A-.



- Install fuel filter flange cover and nuts <2>.

**Vehicles with Criteria 01:**

- Clean the threads in the body for bolts <1> before installing bolts.
- Install new bolts <1> and torque to 20 Nm.

Part Number	Part Description
N 91187201	Bolt

- If necessary, reposition carpet over fuel filter flange cover.





**Vehicles with Criteria 01:**

- Install rear bench seat and torque bolts <1 through 6> to 55 Nm.
- On vehicles equipped with seat heating, connect the seat heating wiring harness on both bench seats.

**All Vehicles:**

- Fold rear seat bench to the closed position.

**Repair Complete - Proceed to section E.**

## Section E – Campaign Completion Label

### Install Campaign Completion Label

- Fill out and affix Campaign Completion Label, part number CAMP 010 000, next to the vehicle emission control information label.

 **TIP**

Ensure Campaign Completion Label does not cover any existing label(s).

- **Proceed to Section F**

## Section F - Parts Return/Disposal

Properly store (retain), destroy or dispose of removed parts in accordance with all state/province and local requirements, unless otherwise indicated and/or requested through the Warranty Parts Portal (WPP) for U.S. and the Part Destruction and Core Disposition Report for Canada.

## Appendix A – Warning and Safety Precautions

### WARNING

#### Note the Following When Working on the Fuel System:

- There is a risk of injury because the fuel is under very high pressure.
- Fuel pressure in high pressure pipe can be up to 120 bar (1740 psi)! Always follow the safety precautions when reducing the pressure in the high pressure area.
- The fuel supply line is under pressure. To prevent injuries and skin contact, wear protective goggles and protective clothing. Wrap a clean cloth around the connection before loosening hose connections. Remove the hose connection carefully to release the pressure.
- Fuel coming into contact with skin poses a health risk.
- Do not let fuel come in contact with bare skin. Wear fuel-resistant gloves.
- Leaking fuel poses a risk of burns.
- For safety reasons, switch off the current to the fuel pump before opening the fuel system. Otherwise, the fuel pump will activate when the driver door is opened.
- Disconnect the power supply by removing the fuse for the Fuel Pump Control Module / fuel delivery unit, or by disconnecting the battery.
- Danger of explosion due to cell phones. Keep cell phones out of reach in the work space area.
- Before starting work, turn the exhaust extraction system on and place an extraction hose close to the fuel tank opening to extract the fuel fumes. If no exhaust extraction system is available, a radial fan (as long as the motor is not in the air flow) with a displacement greater than 15 m<sup>3</sup>/h can be used.