



## Volvo Car Customer Service

QB Instruction VCC-501373-1

<b>Title</b>	Inflatable curtain	<b>Page</b>	1 ( 14 )
<b>Action</b>	Drilling out broken bolts	<b>Operation number:</b>	97187-3

Issue	Date	Reason
2	2017-02	Technical content change
1	2017-02	First issue

### Affected vehicles

Model year	Model
2017	S90 (17-)
2017	V90 (17-)
2017	V90 Cross Country
2016, 2017	XC90 (16-)

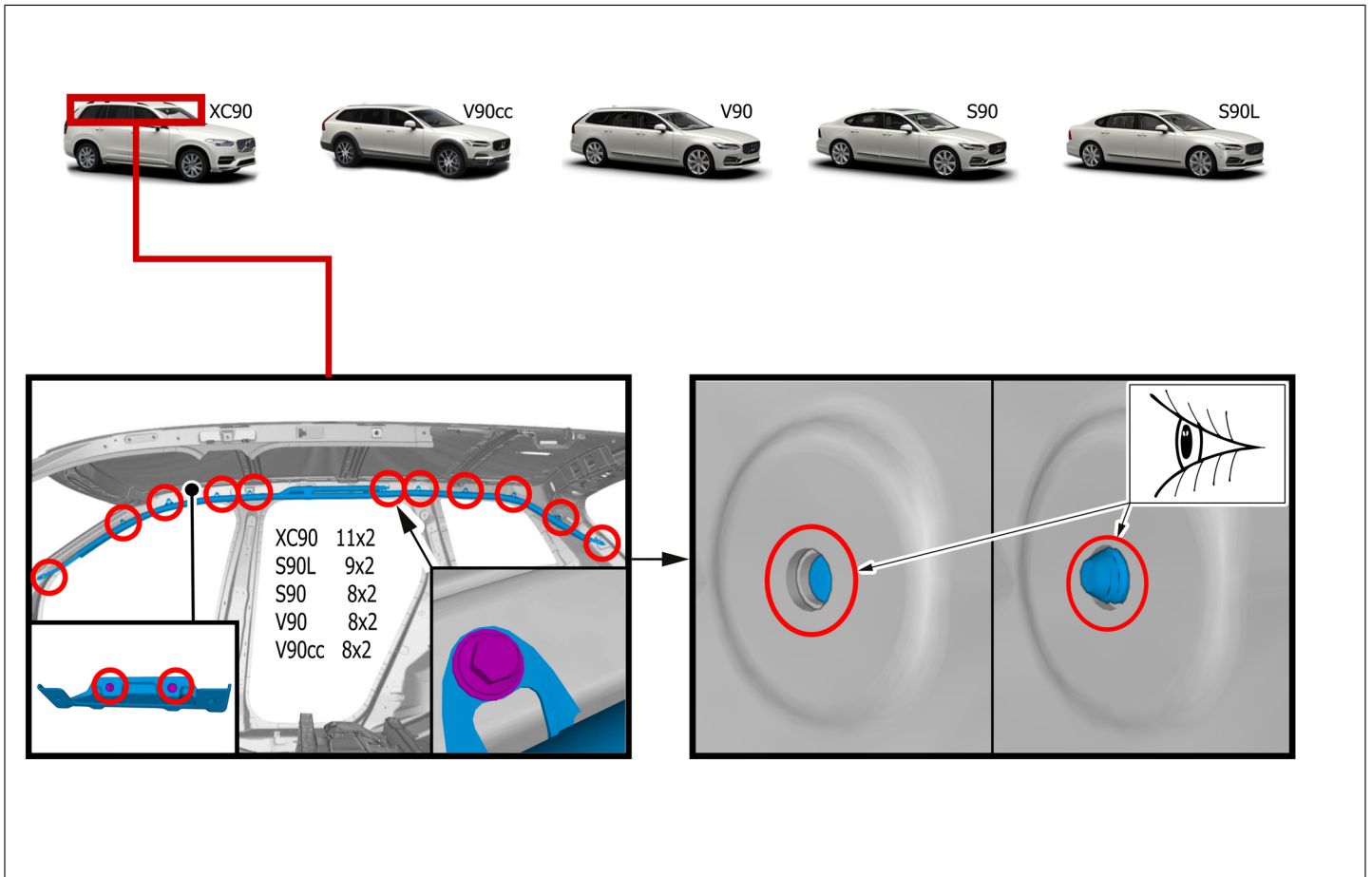
### Special tools

Description	Part No.
Drill bit 2.5mm or 3/32in (Alternative)	9814221 (Includes 5 drill bits)
Fixture	9997643 (Includes fixtures 1 and 2)
Angle drill	7777000, please refer to Special tool request form TJ 32467

### Equipment

Designation	Part No.
Pliers	
Magnetic bits holder socket	
Block wrench with lock function	
Vacuum cleaner	

Orientation view



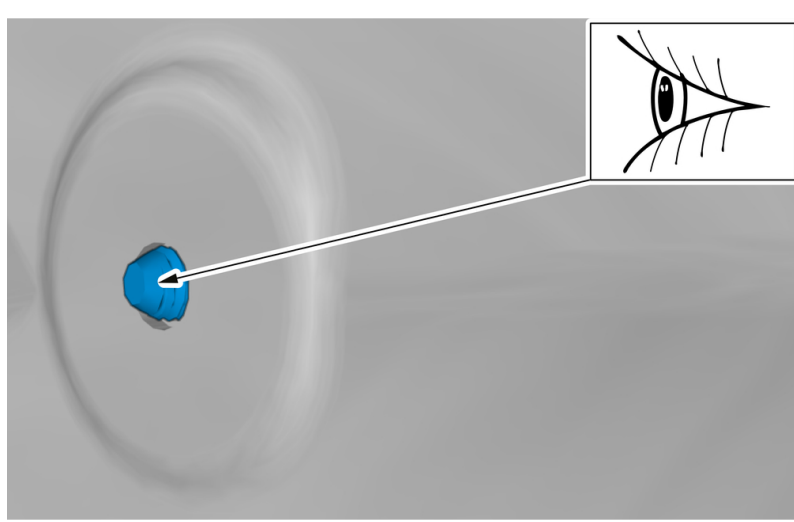
Color symbols

**Note! This colour chart displays (in colour print and electronic version) the importance of the different colours used in the images of the method steps.**

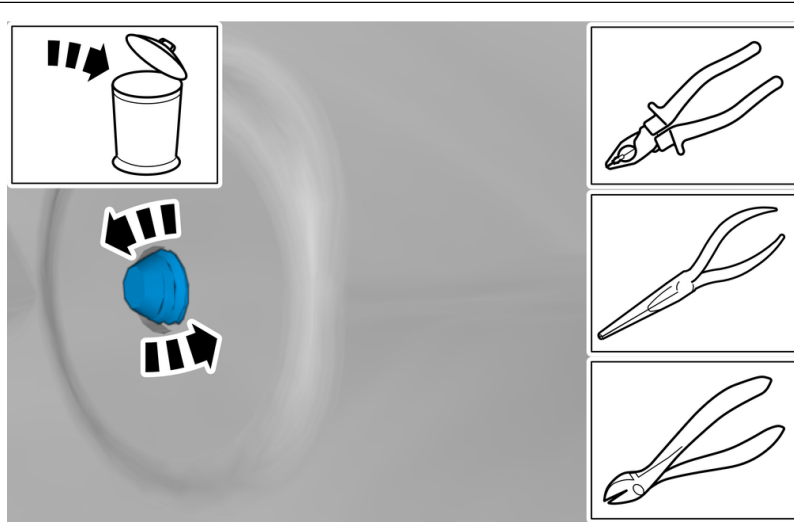
- 1 . Used for focused component, the component with which you will do something.
- 2 . Used as extra colors when you need to show or differentiate additional parts.
- 3 . Used for attachments that are to be removed/installed. May be screws, clips, connectors, etc.
- 4 . Used when the component is not fully removed from the vehicle but only hung to the side.
- 5 . Used for standard tools and special tools.
- 6 . Used as background color for vehicle components.

Removal

All vehicles



Note! Orientation view



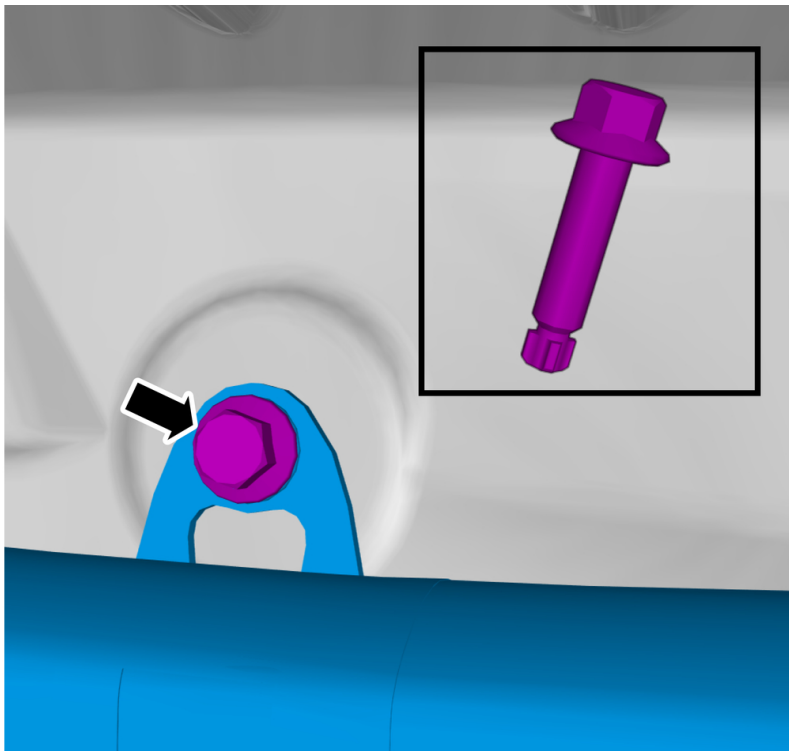
Remove the screw.

Use: Pliers

### Installation

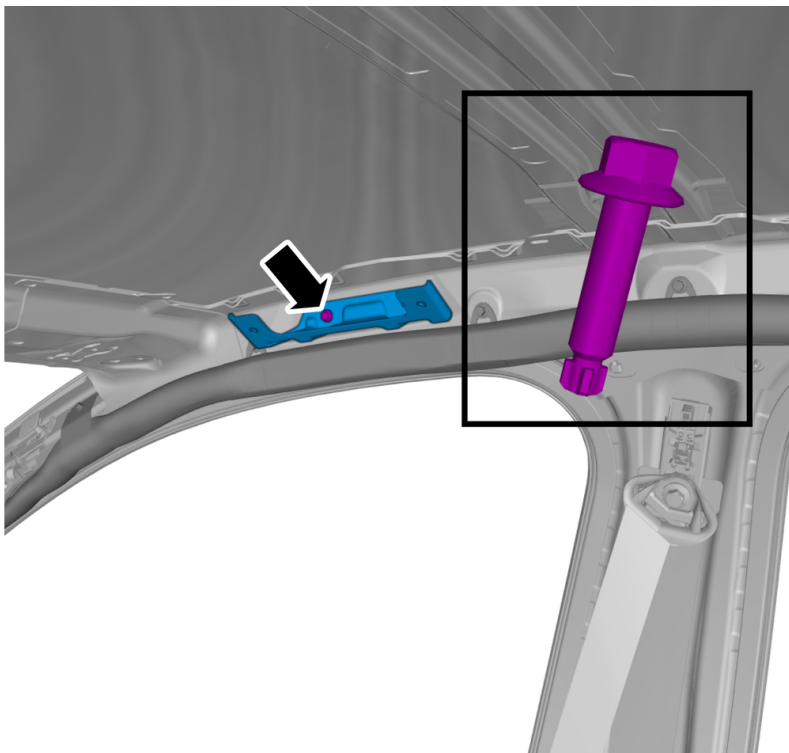
Install the bolt.

Inflatable curtain to the body  
Torque to 6 Nm



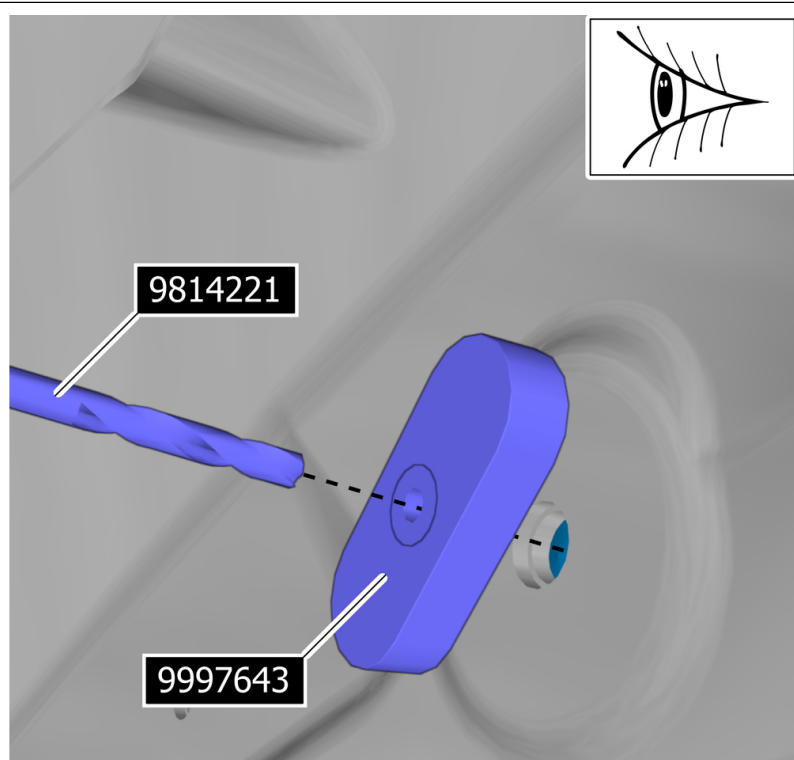
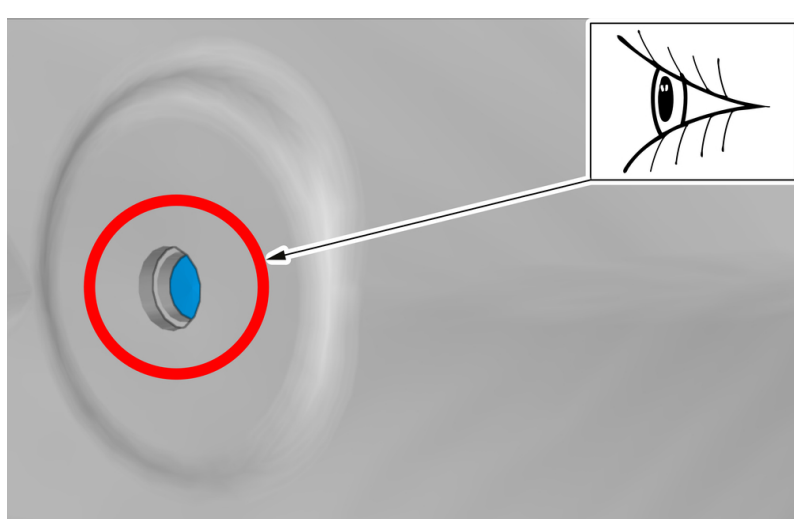
Install Grab handle bracket bolt

Torque to 6 Nm



Repair

All vehicles



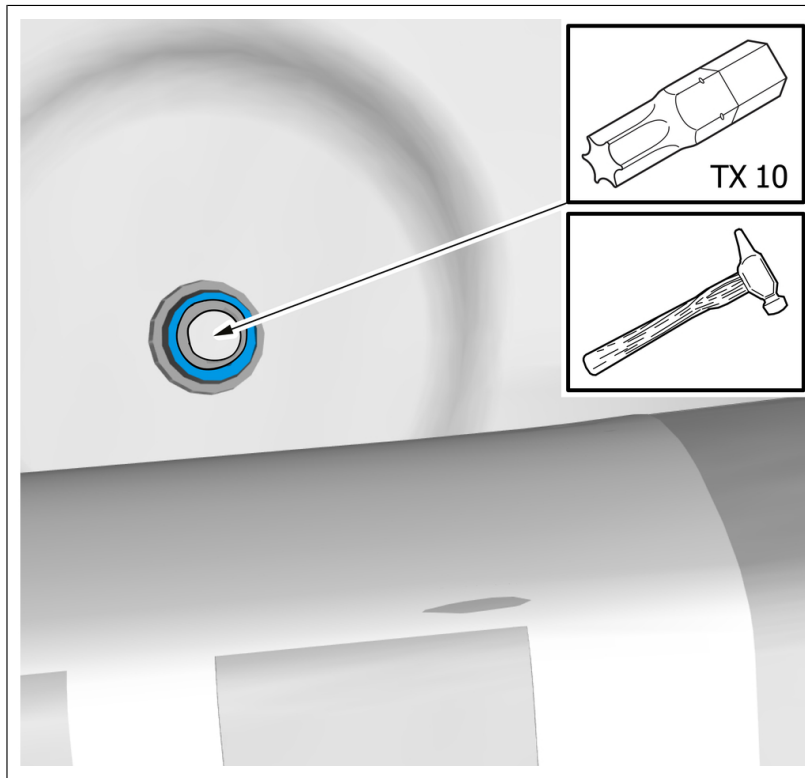
**Warning!** Wear safety goggles.

**Note!** Use the fixture 1 or 2 (two fixtures supplied) that fits the hole without play. Applies to all positions.

Special Tool: T9814221, Drill bit 2.5mm or use 3/32in drill bit as an alternative.

**Caution:** If an alternative drill bit is used, do not drill deeper than 4-6mm.

Special Tool: T9997643, Fixture 1 or 2

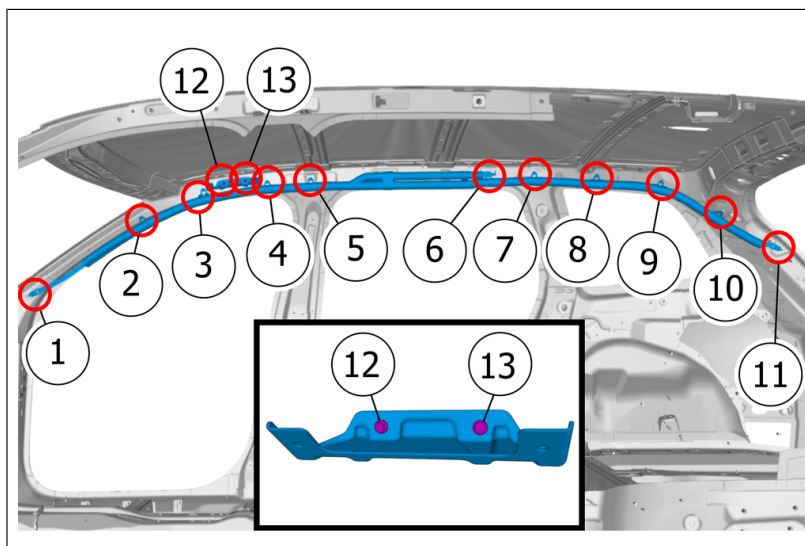


**Caution! Use TX-10 as an extractor tool.**

**Use:** Magnetic bits holder socket

**Use:** Block wrench with lock function

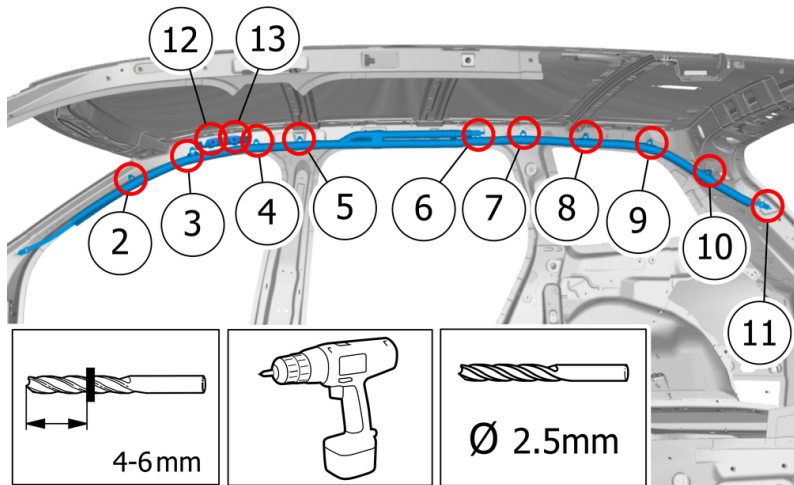
Applies to XC90 models



Note! Orientation view

**Note: If a broken bolt is found on position 1 a compact angle drill 7777000 is needed. Do NOT attempt to drill the bolt with any other drill that is not approved by Volvo.**

**Follow the Special tool request form attached to TJ 32467.**



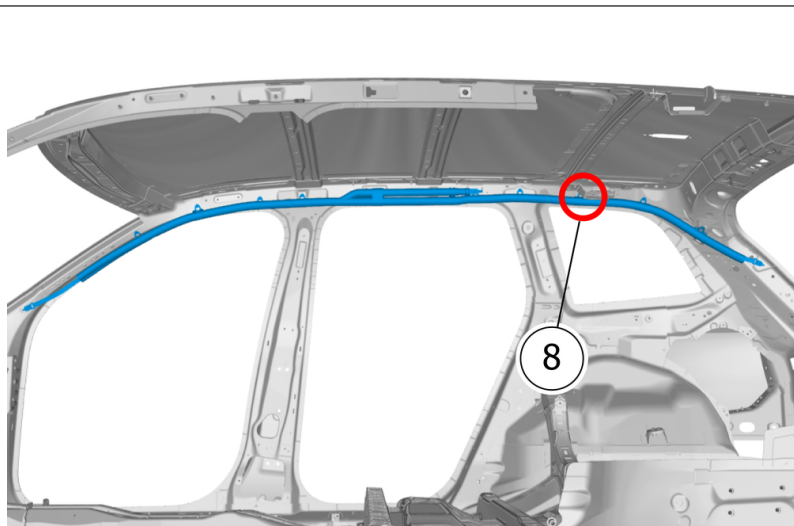
**Warning!** Wear safety goggles.

**Note!** Use the fixture 1 or 2 (two fixtures supplied) that fits the hole without play. Applies to all positions.

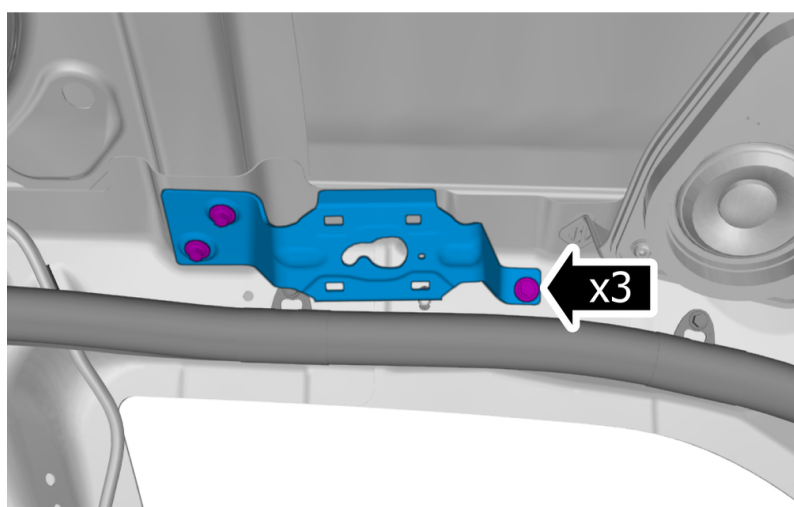
Special Tool: T9814221, Drill bit 2.5mm or use 3/32in drill bit as an alternative.

**Caution:** If an alternative drill bit is used, do not drill deeper than 4-6mm.

Special Tool: T9997643, Fixture 1 or 2



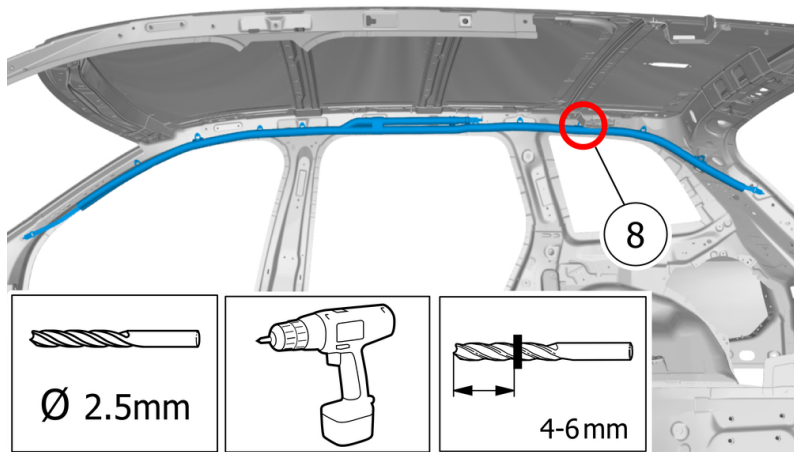
Bolt in position 8 is located behind rear load net retainer bracket. On both sides.



Remove the bolts. Remove the rear load net retainer bracket to gain access to position 8 bolt. On both sides.

Torque:

Rear loadnet retainer bracket, to Body, 7 Nm, applies only to loadnet retainer bracket



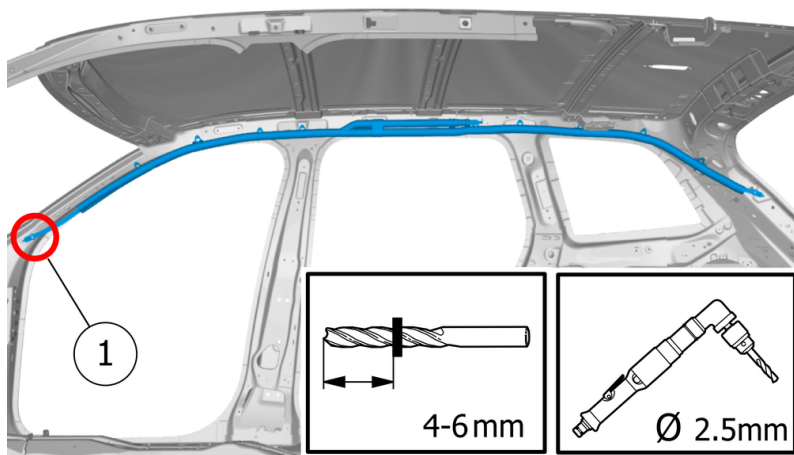
**Warning!** Wear safety goggles.

**Note!** Use the fixture 1 or 2 (two fixtures supplied) that fits the hole without play. Applies to all positions.

Special Tool: T9814221, Drill bit 2.5mm or use 3/32in drill bit as an alternative.

**Caution:** If an alternative drill bit is used, do not drill deeper than 4-6mm.

Special Tool: T9997643, Fixture 1 or 2



**Warning!** Wear safety goggles.

**Note:** Position 1 requires T7777000 compact angle drill with the indicated bit size.

Special Tool: T7777000, Angle drill

Special Tool: T9814221, Drill bit 2.5mm

Special Tool: T9997643, Fixture 1 or 2

Use: Vacuum cleaner and dash protection.

Install the bolt.

Torque:

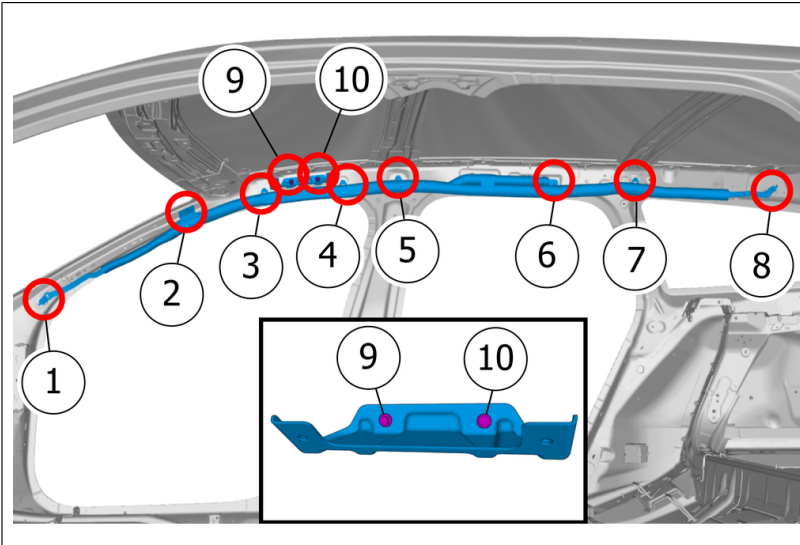
Inflatable curtain to the body , 6 Nm

On both sides.

To install, reverse the removal procedure.



Applies to models V90 and V90 Cross Country



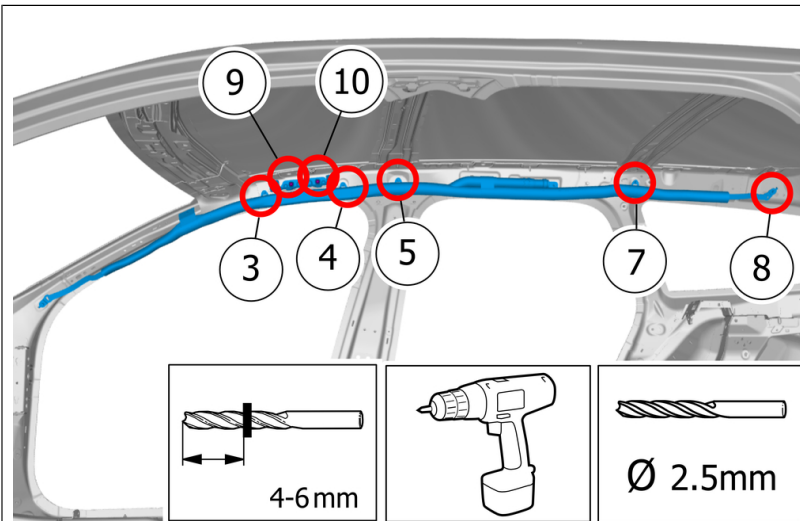
Note! Orientation view

**Note:** If a broken bolt is found on position 1 or 2 a compact angle drill 7777000 is needed.

**Note:**

**Do NOT attempt to drill the bolt with any other drill that is not approved by Volvo.**

**Follow the Special tool request form attached to TJ 32467.**



**Warning! Wear safety goggles.**

Use a drill with the indicated bit size.

Special Tool: T9814221, Drill bit 2.5mm or use 3/32in drill bit as an alternative.

Special Tool: T9997643, Fixture 1 or 2

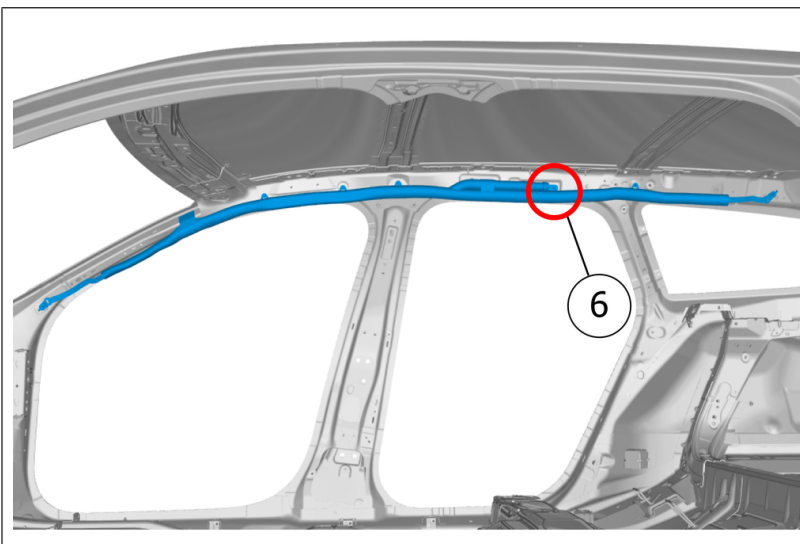
Use: Vacuum cleaner

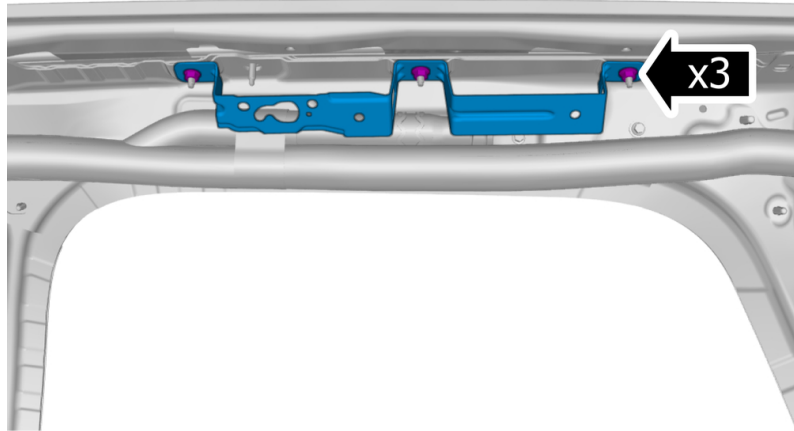
Install the bolt.

Torque:

Inflatable curtain to the body , 6 Nm

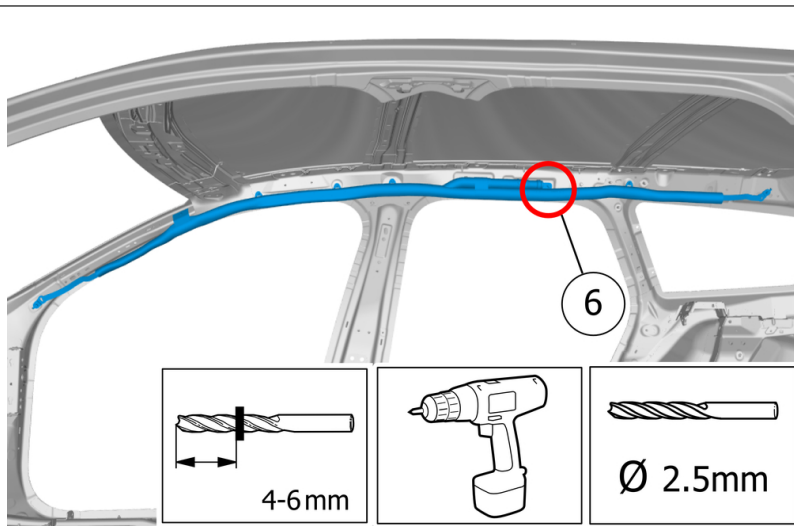
On both sides.





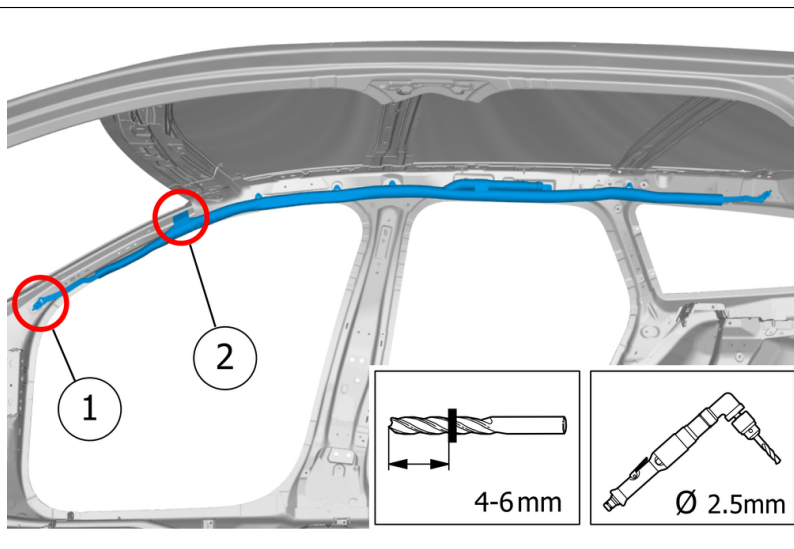
Remove the bolts.  
Remove the Entry handle bracket.

Torque:  
Entry handle bracket, to Body , 8 Nm  
On both sides.



**Warning!** Wear safety goggles.

Use a drill with the indicated bit size.  
Special Tool: T9814221, Drill bit 2.5mm or use 3/32in drill bit as an alternative.  
Special Tool: T9997643, Fixture 1 or 2  
Use: Vacuum cleaner  
Install the bolt.  
Torque:  
Inflatable curtain to the body , 6 Nm  
On both sides.

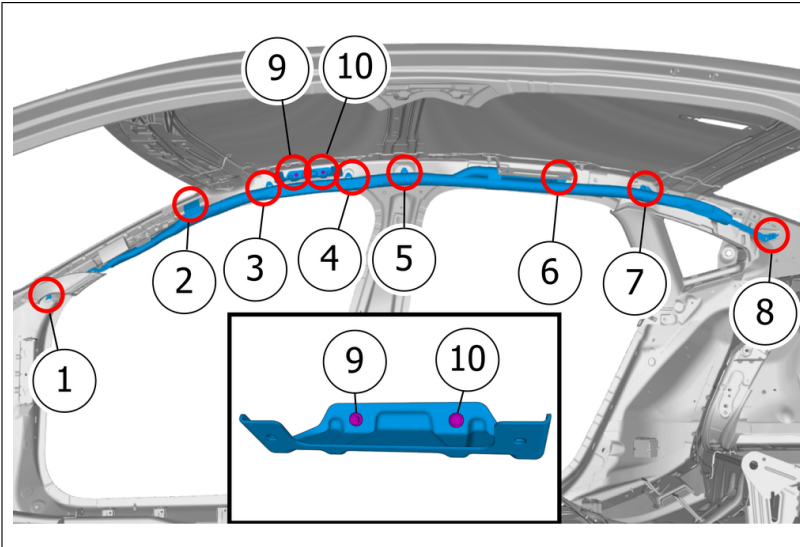


**Warning!** Wear safety goggles.

Locate the markings for the positions.  
Use a drill with the stated size  
Special Tool: 7777000, Angle drill machine  
Special Tool: T9814221, Drill 2,5  
Special Tool: T9997643, Fixture  
**Use:** Vacuum cleaner  
Install the bolt.  
**Torque:**  
Inflatable curtain to the body , 6 Nm  
On both sides.

To install, reverse the removal procedure.

Applies to S90 models

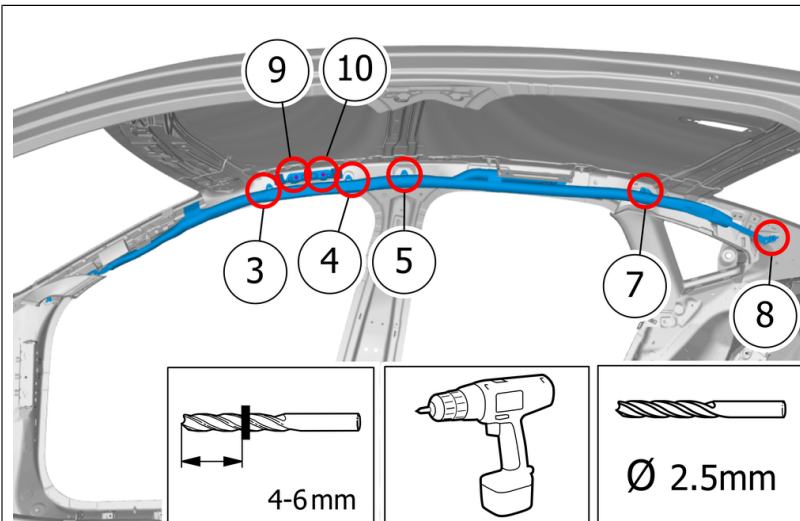


Note! Orientation view

**Note:** If a broken bolt is found on position 1,2 and 8 an angle drill 7777000 is needed.

**Note:** Do NOT attempt to drill the bolt with any other drill that is not approved by Volvo.

Follow the Special tool request form attached to TJ 32467.



**Warning!** Wear safety goggles.

Use a drill with the indicated bit size.

Special Tool: T9814221, Drill bit 2.5mm or use 3/32in drill bit as an alternative.

Special Tool: T9997643, Fixture 1 or 2

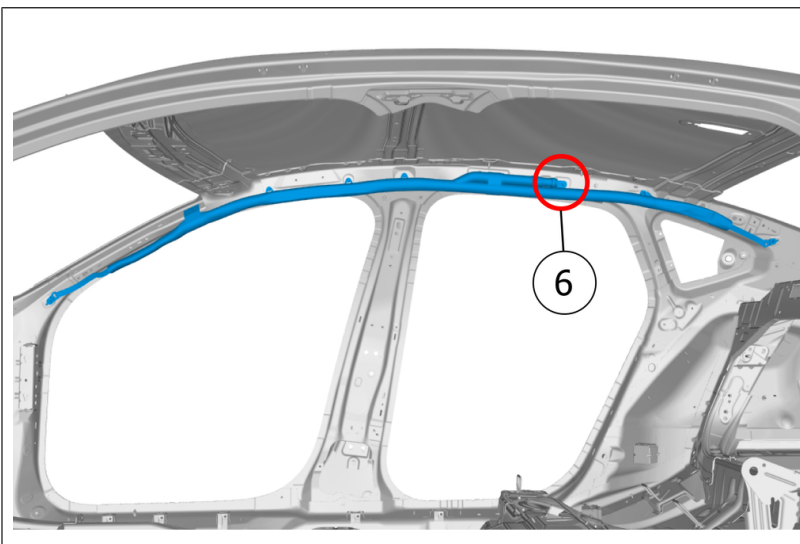
Use: Vacuum cleaner

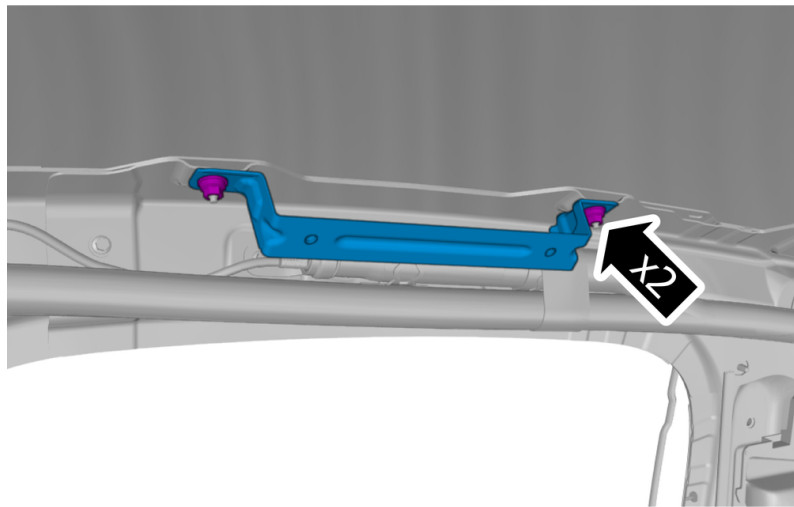
Install the bolt.

Torque:

Inflatable curtain to the body , 6 Nm

On both sides.



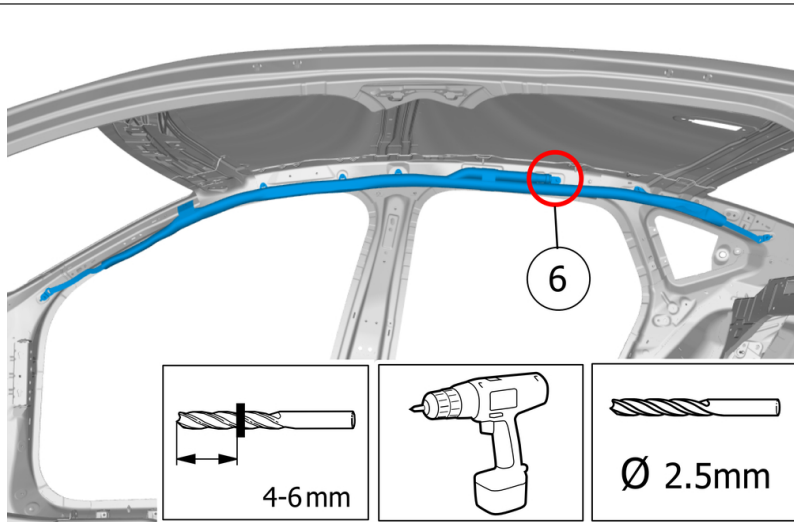


Remove the nuts.  
Remove the Entry handle bracket.

Torque:

Entry handle bracket, to Body , 8 Nm

On both sides.



**Warning! Wear safety goggles.**

Use a drill with the indicated bit size.

Special Tool: T9814221, Drill bit 2.5mm or use 3/32in drill bit as an alternative.

Special Tool: T9997643, Fixture 1 or 2

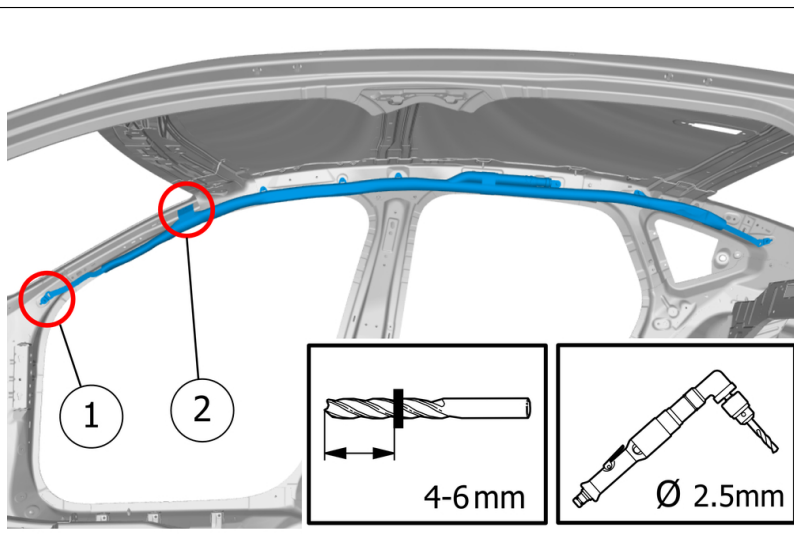
Use: Vacuum cleaner

Install the bolt.

Torque:

Inflatable curtain to the body , 6 Nm

On both sides.



**Warning! Wear safety goggles.**

**Note:** Position 1 requires 7777000 angle drill with the indicated bit size.

**Do NOT use a non approved drill.**

Special Tool: 7777000, Angle drill

Special Tool: T9814221, Drill bit 2.5mm

Special Tool: T9997643, Fixture 1 or 2

Use: Vacuum cleaner and dash protection.

Install the bolt.

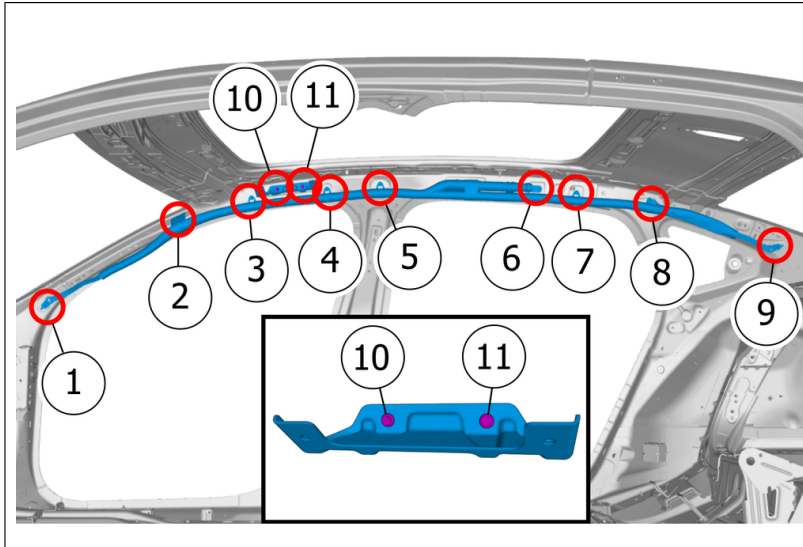
Torque:

Inflatable curtain to the body , 6 Nm

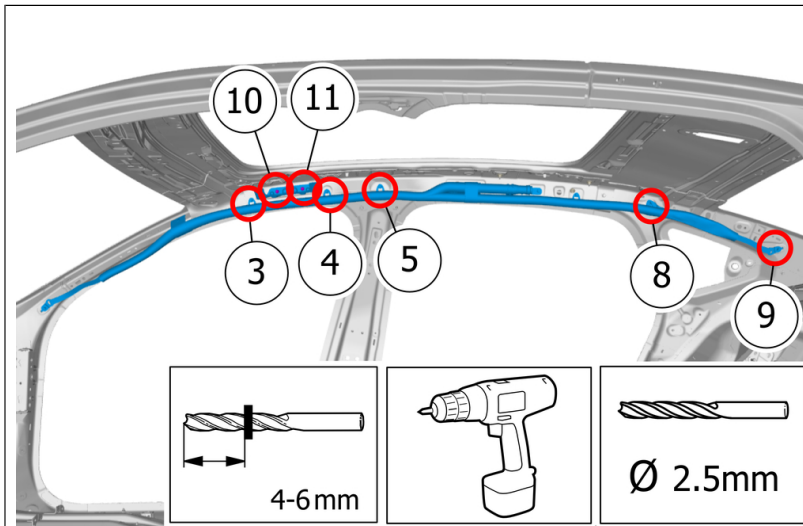
On both sides.

To install, reverse the removal procedure.

Applies to model S90L



**Note! Orientation view**



**Warning! Wear safety goggles.**

Use a drill with the indicated bit size.

Special Tool: T9814221, Drill bit 2.5mm or use 3/32in drill bit as an alternative.

Special Tool: T9997643, Fixture 1 or 2

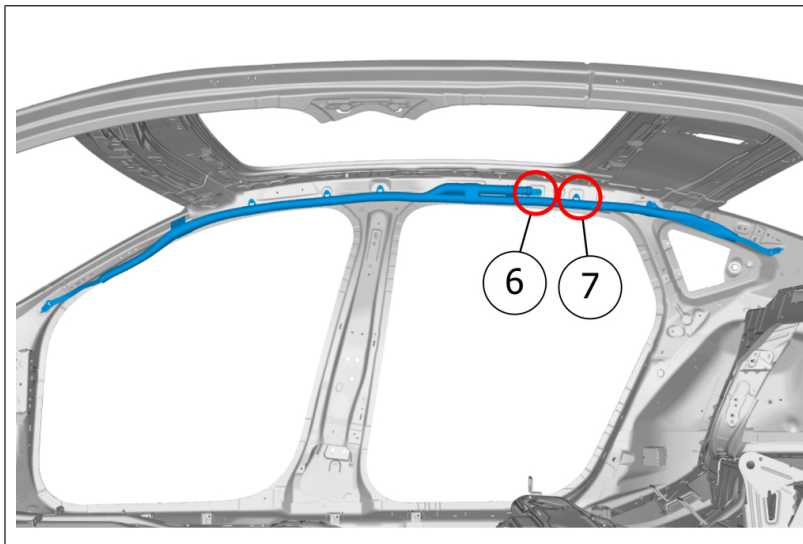
Use: Vacuum cleaner

Install the bolt.

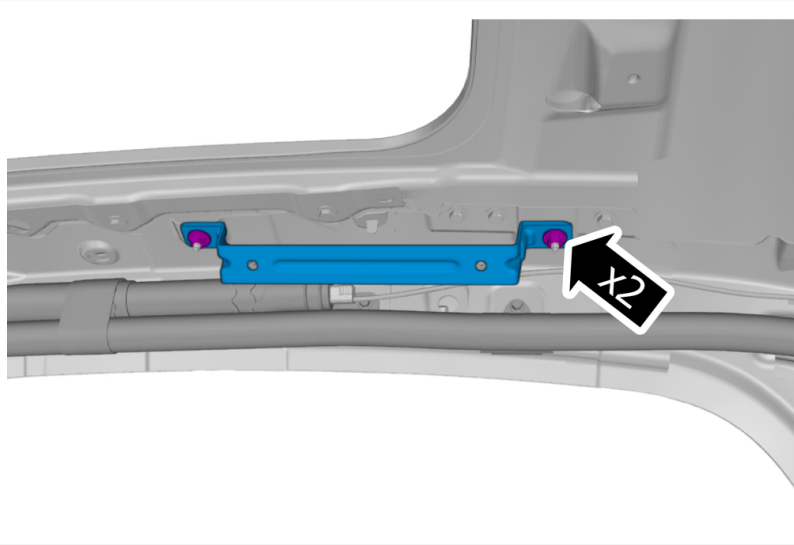
Torque:

Inflatable curtain to the body , 6 Nm

On both sides.



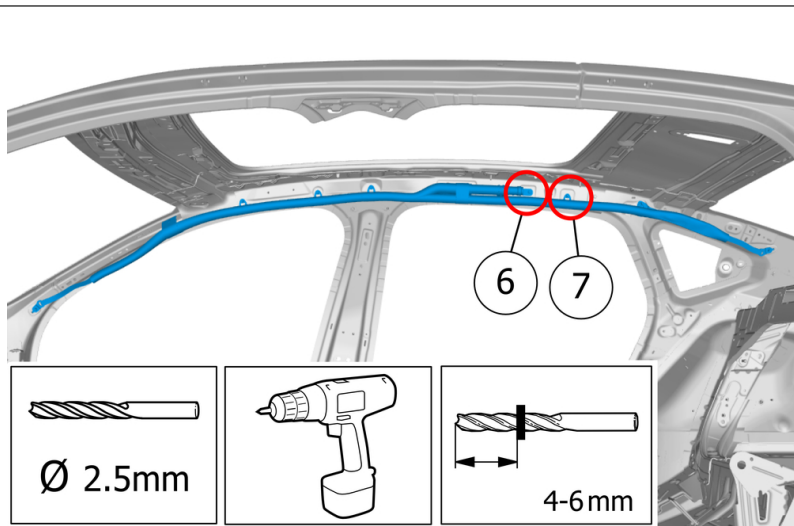
Locate the markings for the positions.



Remove the nuts.  
Remove the marked part.

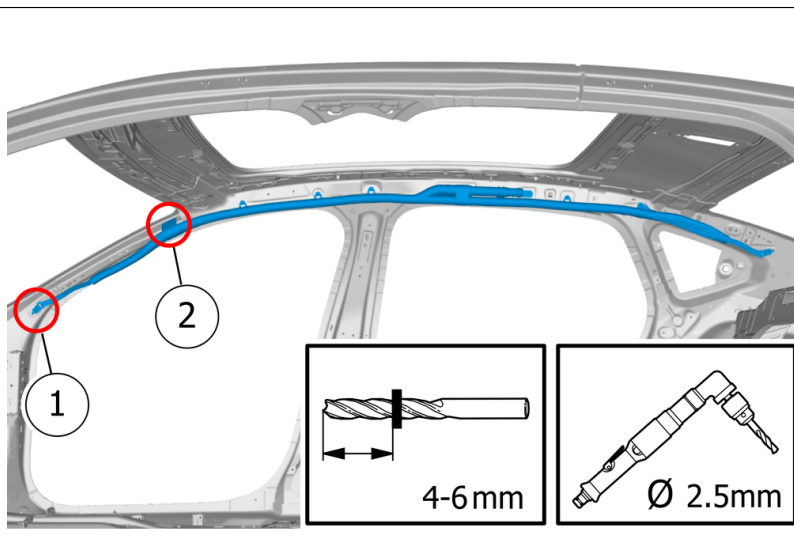
**Torque:**

Entry handle bracket, to Body , 8 Nm  
On both sides.



**Warning! Wear safety goggles.**

Use a drill with the indicated bit size.  
Special Tool: T9814221, Drill bit 2.5mm or use 3/32in drill bit as an alternative.  
Special Tool: T9997643, Fixture 1 or 2  
Use: Vacuum cleaner  
Install the bolt.  
Torque:  
Inflatable curtain to the body , 6 Nm  
On both sides.



**Warning! Wear safety goggles.**

**Note:** Position 1 requires 7777000 angle drill with the indicated bit size.  
Special Tool: 7777000, Angle drill  
Special Tool: T9814221, Drill bit 2.5mm  
Special Tool: T9997643, Fixture 1 or 2  
Use: Vacuum cleaner and dash protection.  
Install the bolt.  
Torque:  
Inflatable curtain to the body , 6 Nm  
On both sides.

To install, reverse the removal procedure.