



## Volvo Car Customer Service

QB Instruction VCC-501267-3

|               |                    |             |          |
|---------------|--------------------|-------------|----------|
| <b>Title</b>  | Inflatable curtain | <b>Page</b> | 1 ( 17 ) |
| <b>Action</b> | Inspection         |             |          |

| <b>Issue</b> | <b>Date</b> | <b>Reason</b> |
|--------------|-------------|---------------|
| 1            | 2017-02     | First issue   |

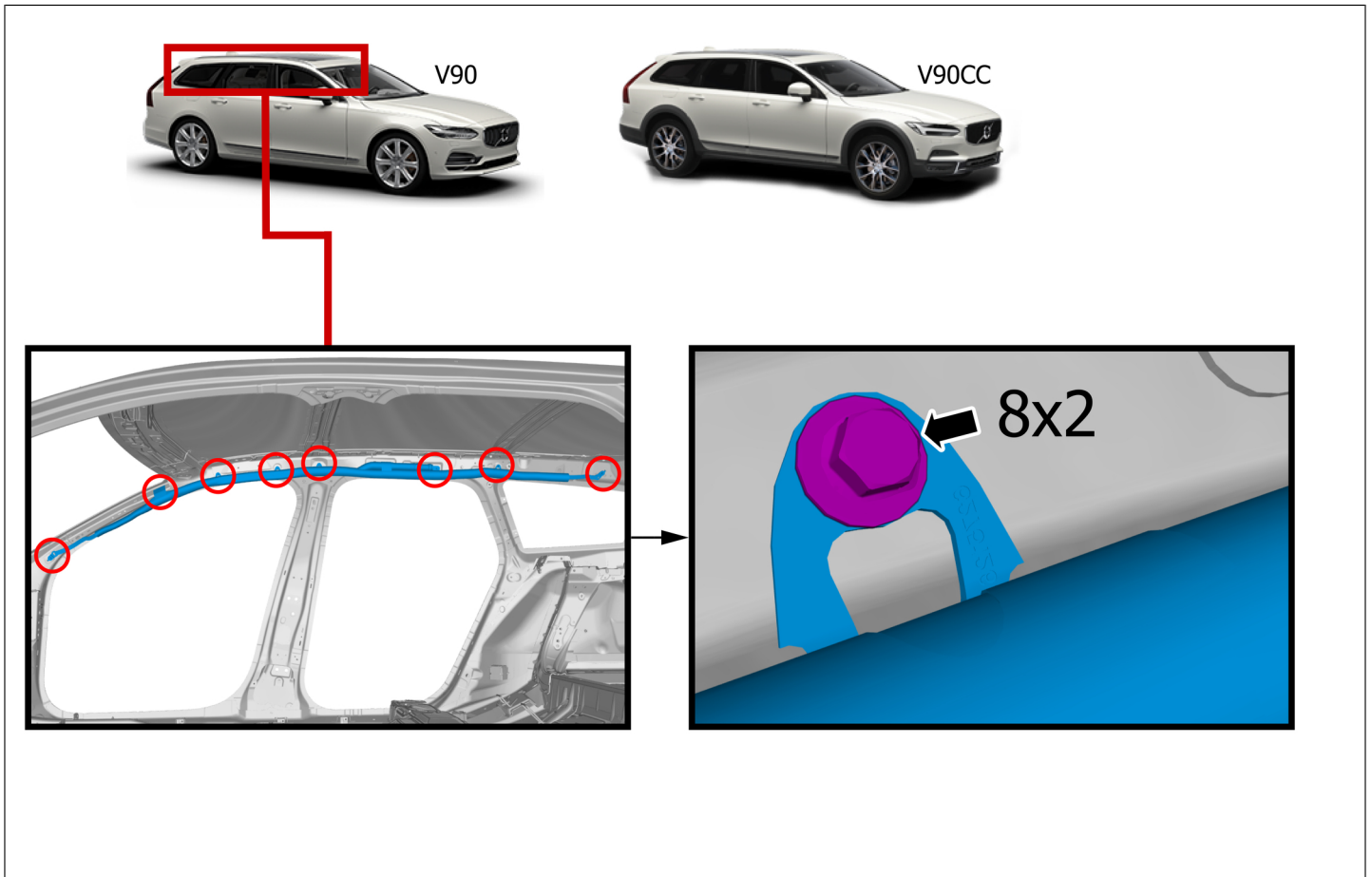
### Affected vehicles

| <b>Model year</b> | <b>Model</b>      |
|-------------------|-------------------|
| 2017              | V90 (17-)         |
| 2017              | V90 Cross Country |

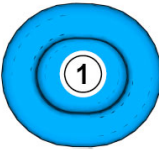
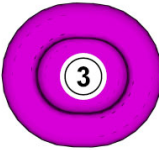
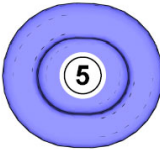
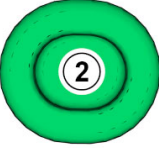
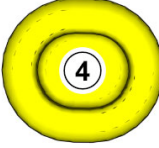
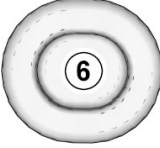
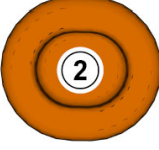
### Equipment

| <b>Designation</b>        | <b>Part No.</b> |
|---------------------------|-----------------|
| Electrician's screwdriver |                 |
| Interior trim remover     |                 |

Orientation view



Color symbols

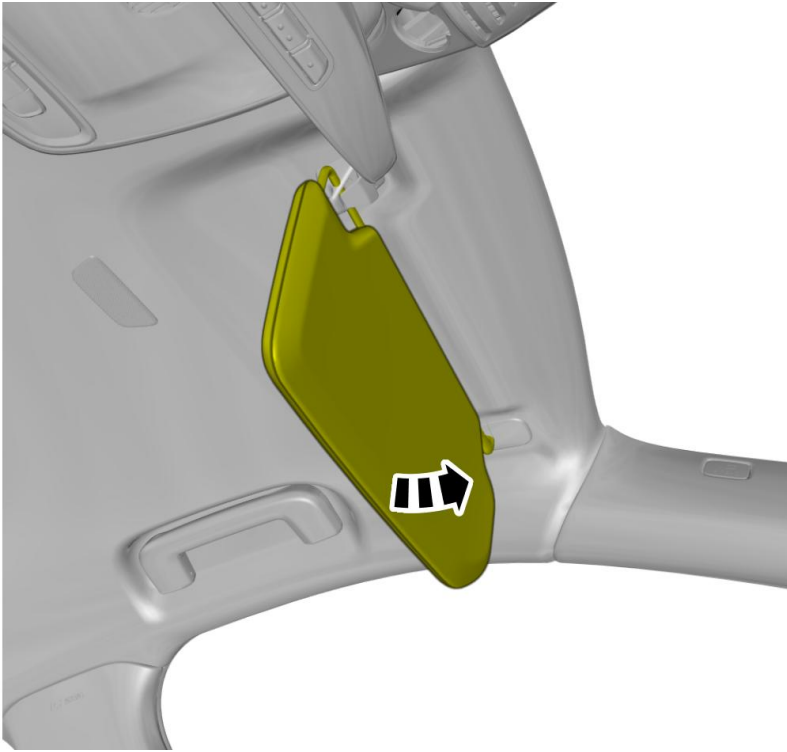
|   |   |   |
|---|---|---|
|  |  |  |
|  |  |  |
|  |   |   |

**Note! This colour chart displays (in colour print and electronic version) the importance of the different colours used in the images of the method steps.**

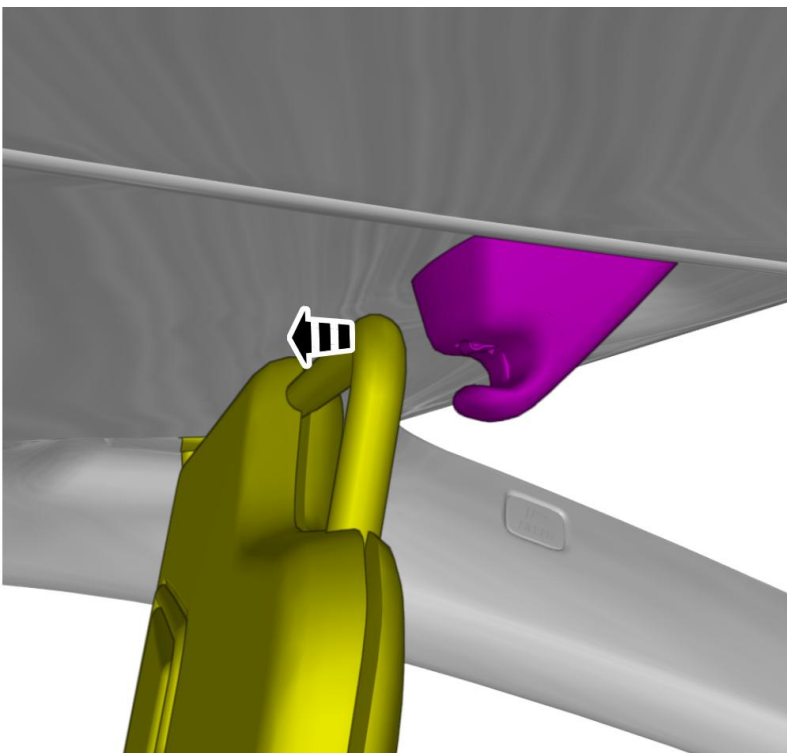
- 1 . Used for focused component, the component with which you will do something.
- 2 . Used as extra colors when you need to show or differentiate additional parts.
- 3 . Used for attachments that are to be removed/installed. May be screws, clips, connectors, etc.
- 4 . Used when the component is not fully removed from the vehicle but only hung to the side.
- 5 . Used for standard tools and special tools.
- 6 . Used as background color for vehicle components.

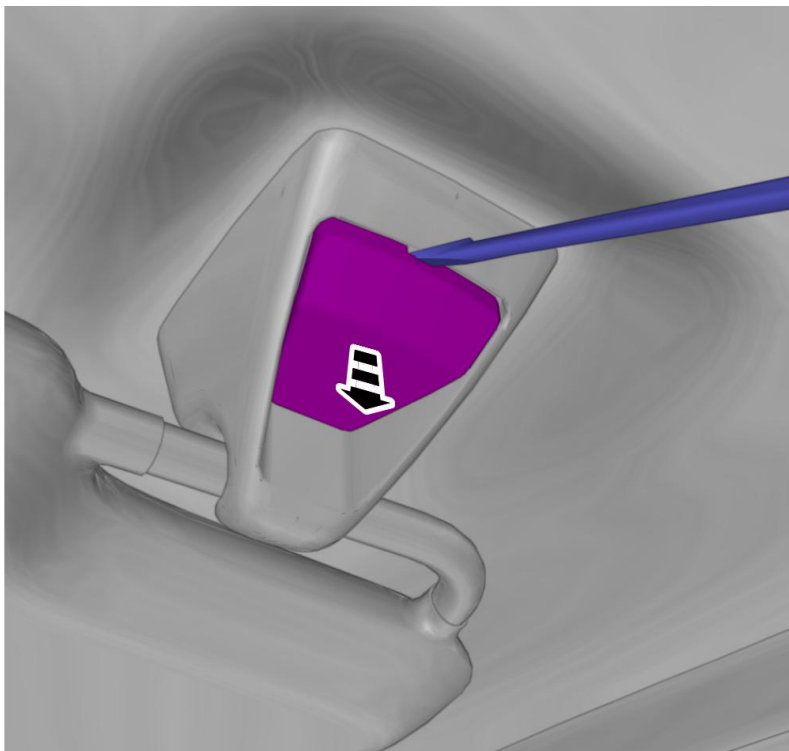
**Note! Removal steps in this procedure may contain installation details.**

On both sides.



On both sides.

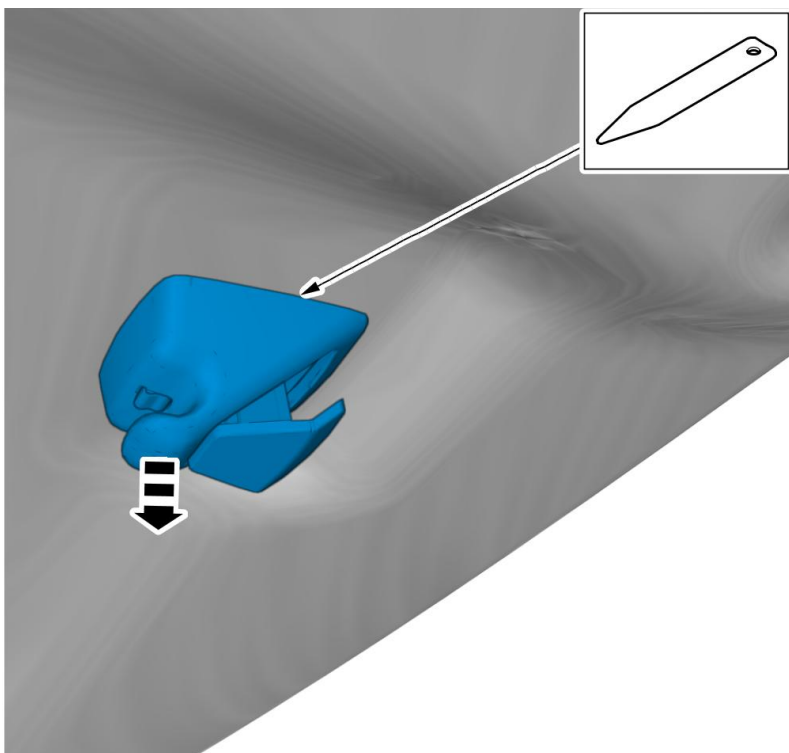




**Caution!** Take extra care when handling the component.

On both sides.

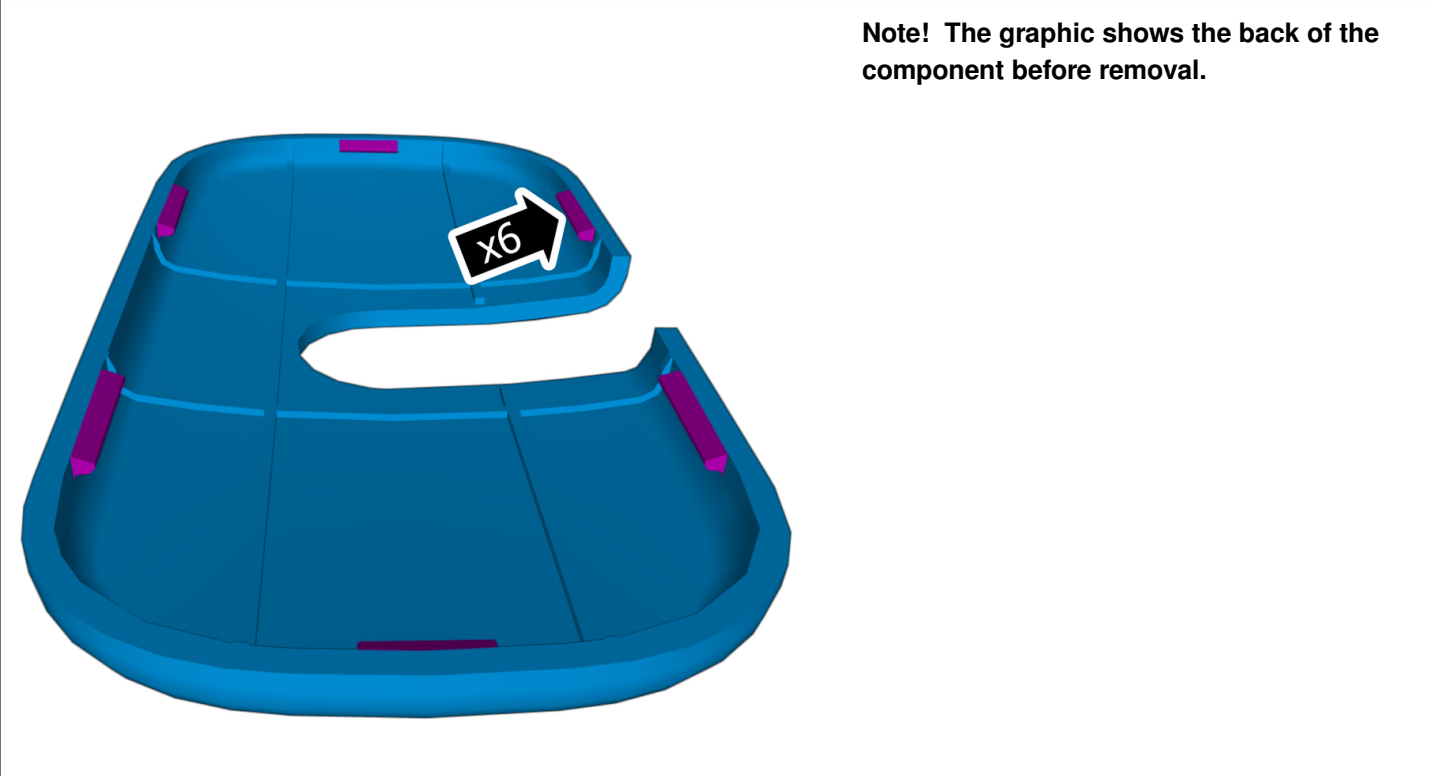
**Use:** Electrician's screwdriver



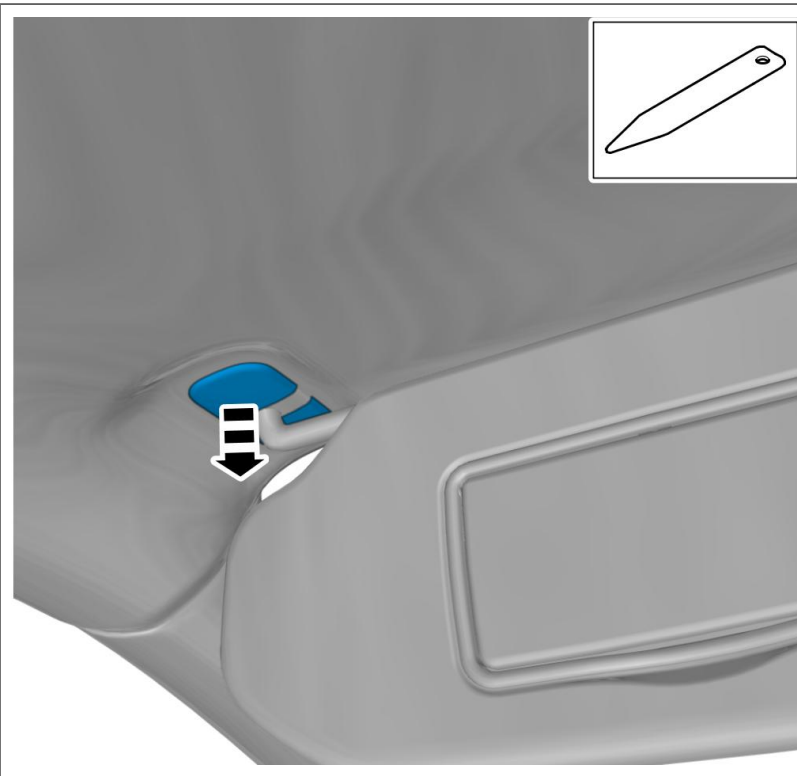
Remove the marked part.

On both sides.

**Use:** Interior trim remover

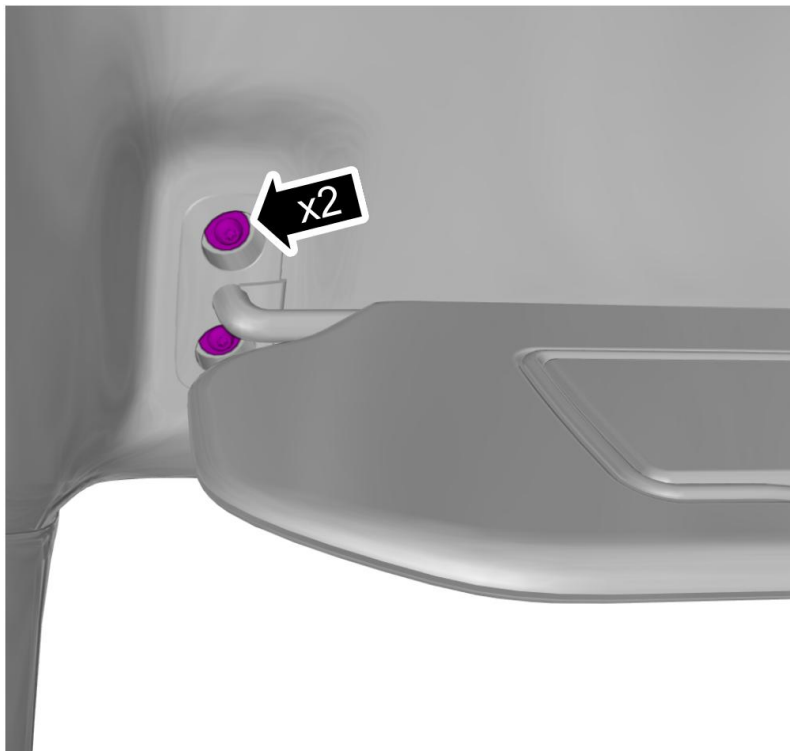


**Note!** The graphic shows the back of the component before removal.



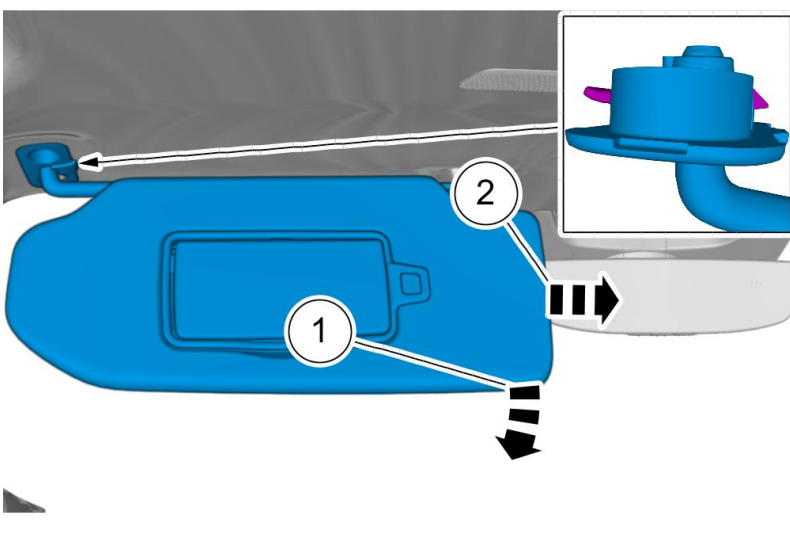
Remove the marked part.  
On both sides.

**Use:** Interior trim remover



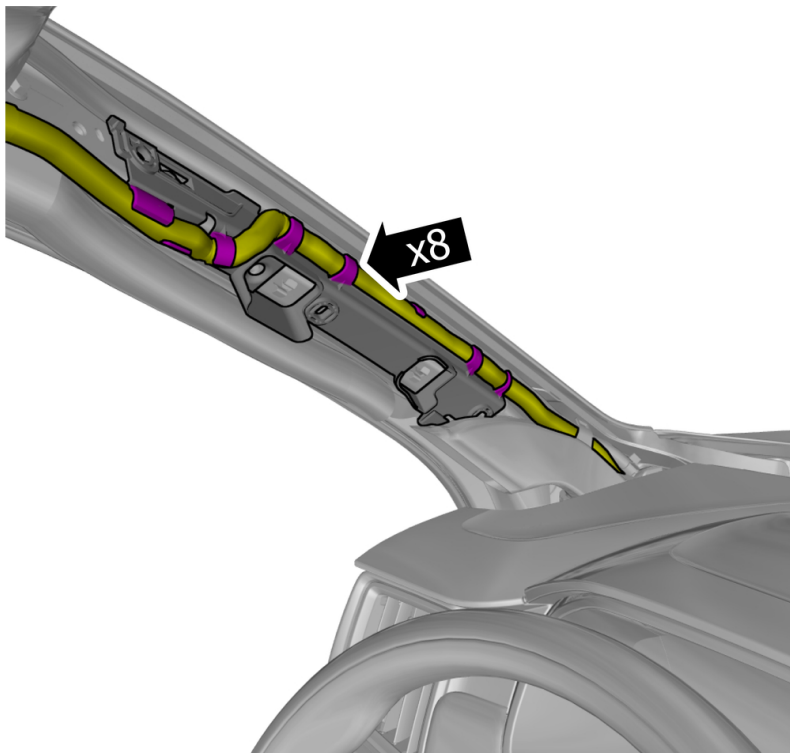
Remove the screws.  
On both sides.

**Torque:**  
M5 , 5 Nm



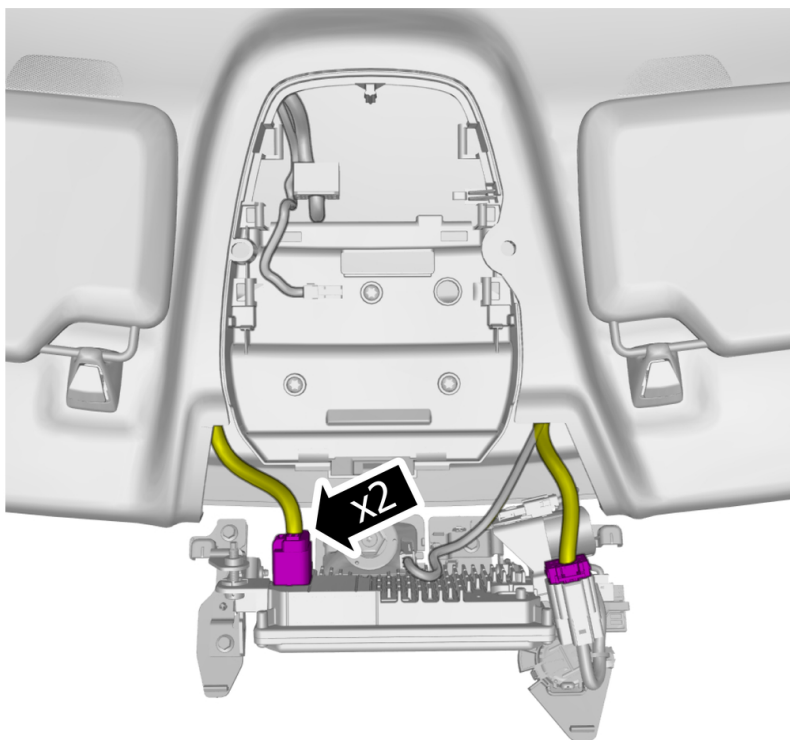
Remove the part carefully  
Fold marked part to one side.  
On both sides.

Remove panel A-pillar , refer to:  
Removal, replacement and installation  
8 - Body and interior  
85 - Interior  
851 - upholstery for wall/door, side, rear  
shelf, luggage rack

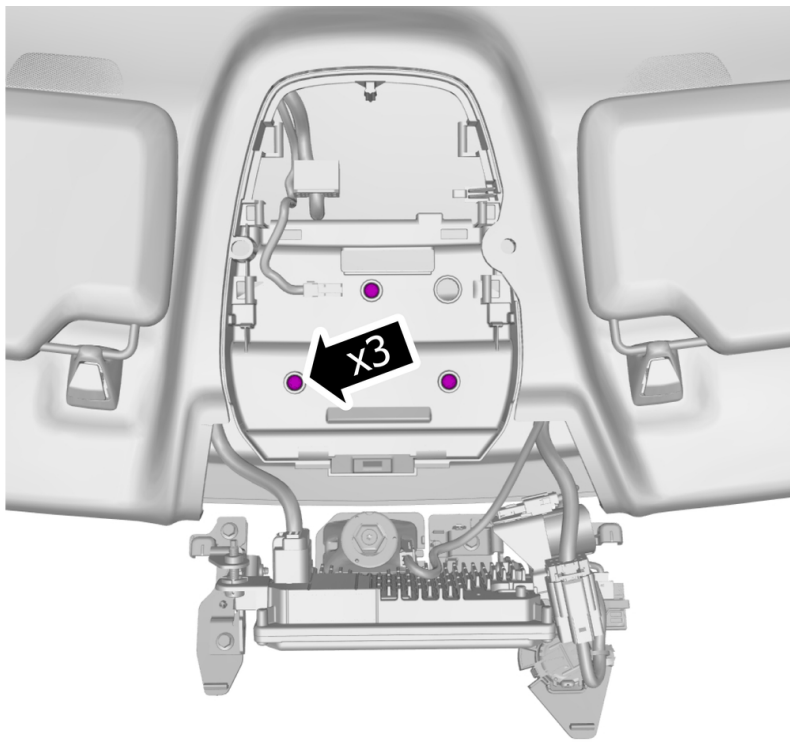


Loosen the wiring harness or move it to the side.  
On both sides.

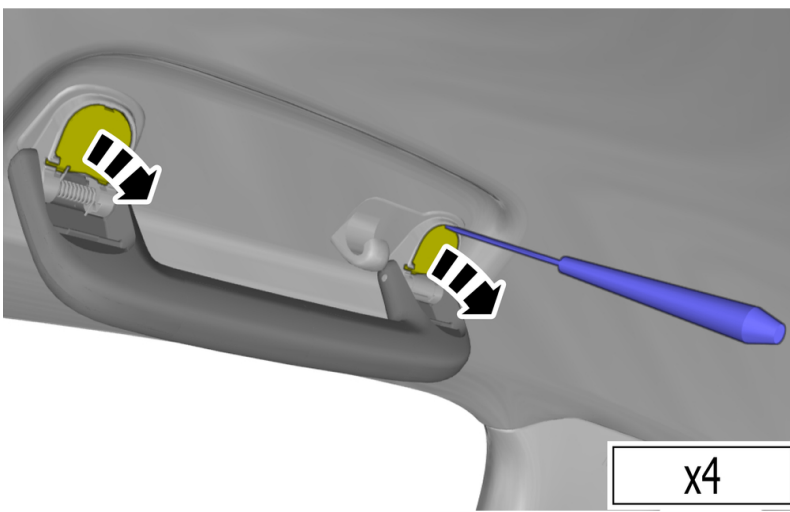
Remove rear-view mirror inside , refer to:  
Removal, replacement and installation  
8 - Body and interior  
88 - Interior equipment  
882 - interior equipment



Disconnect the connectors.



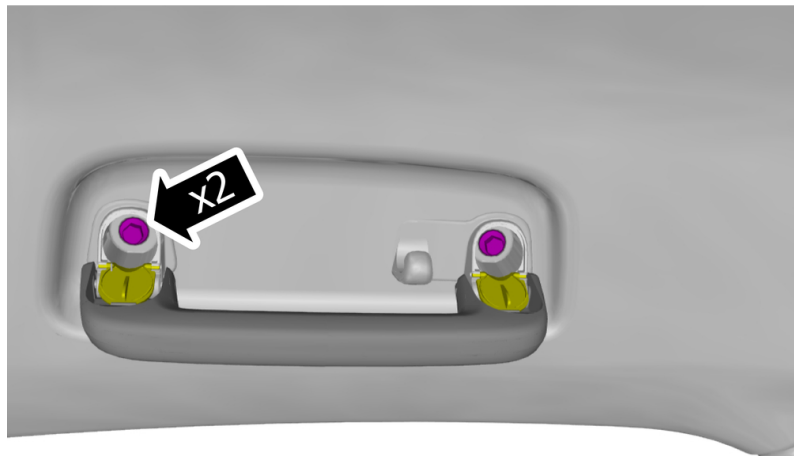
Remove the screws.



On both sides.

**Use:** Electrician's screwdriver

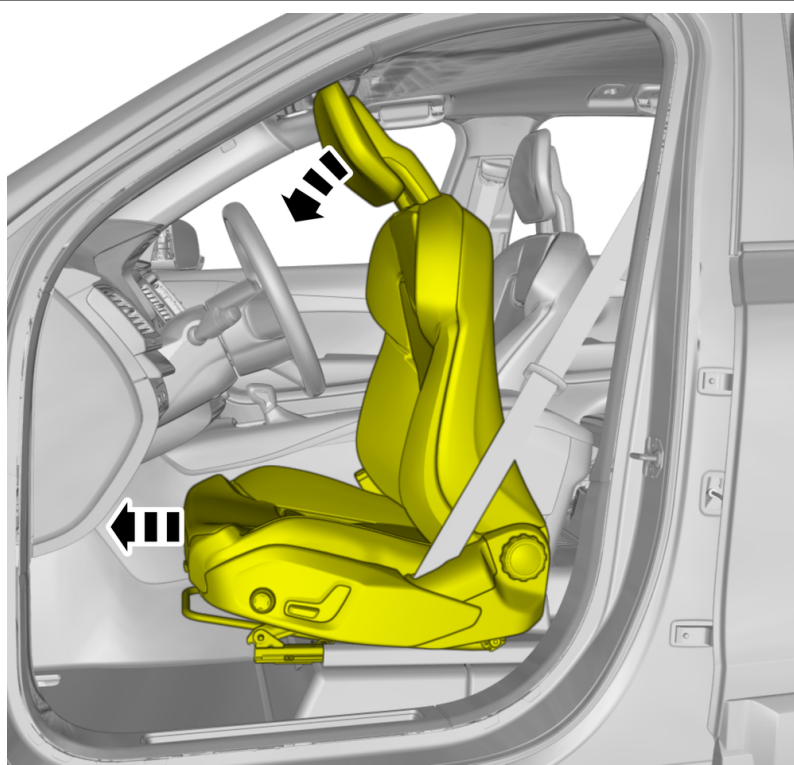




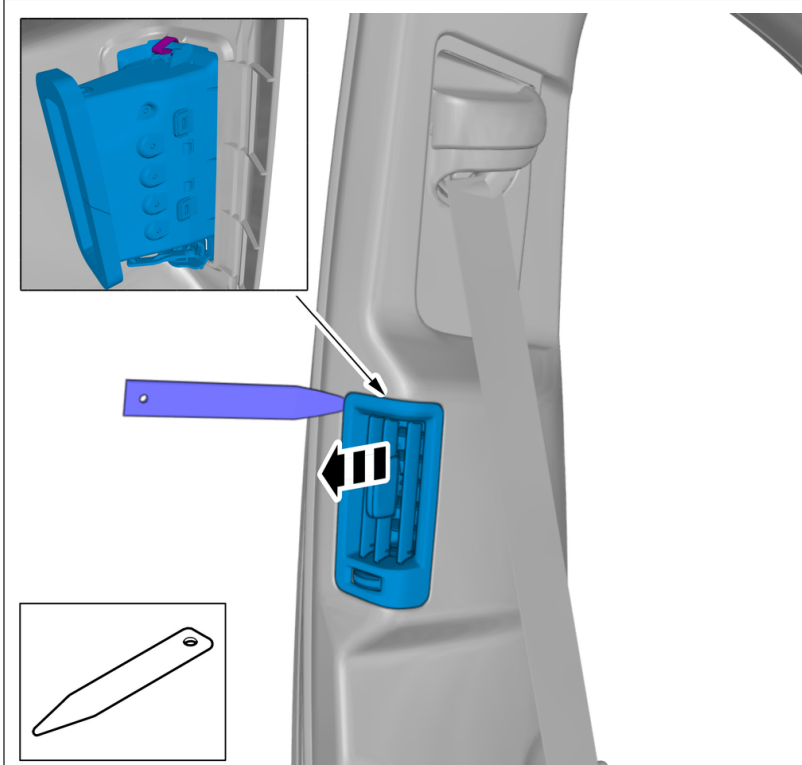
x4

Remove the screws.  
On both sides.

**Torque:**  
M6 , 10 Nm

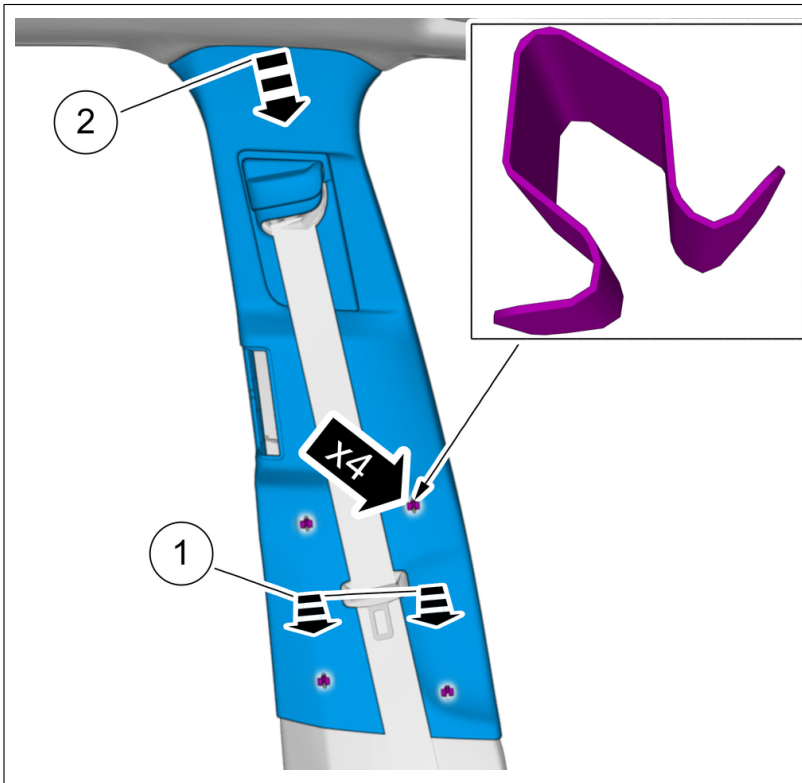


On both sides.

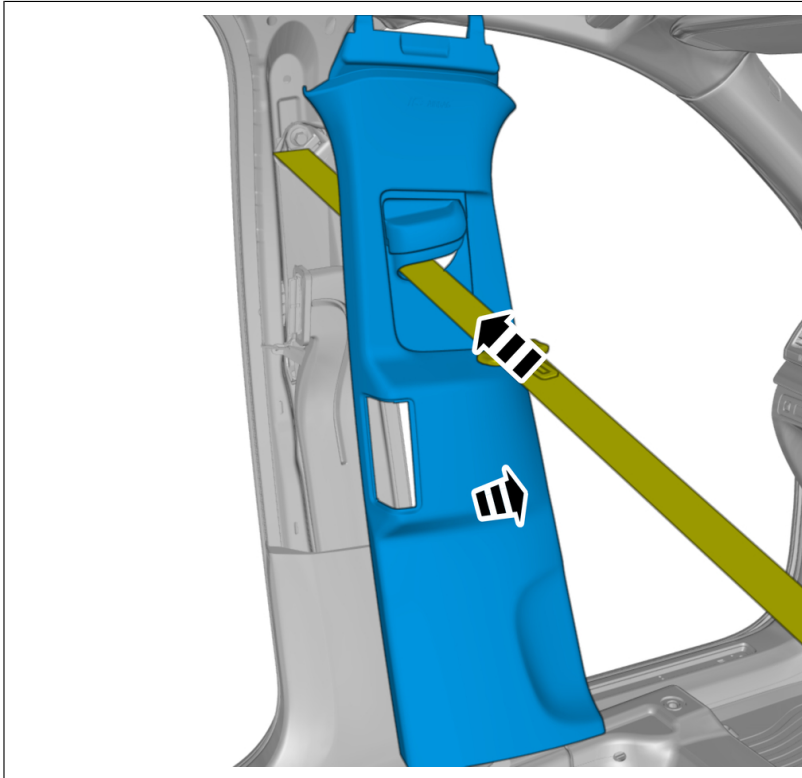


Remove the marked part.  
On both sides.

**Use:** Interior trim remover



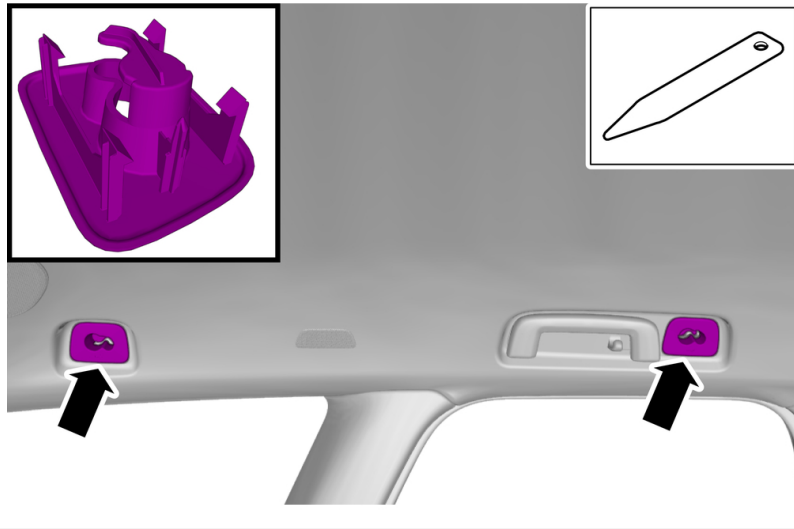
Remove the panel.  
On both sides.



Fold marked part to one side.  
On both sides.

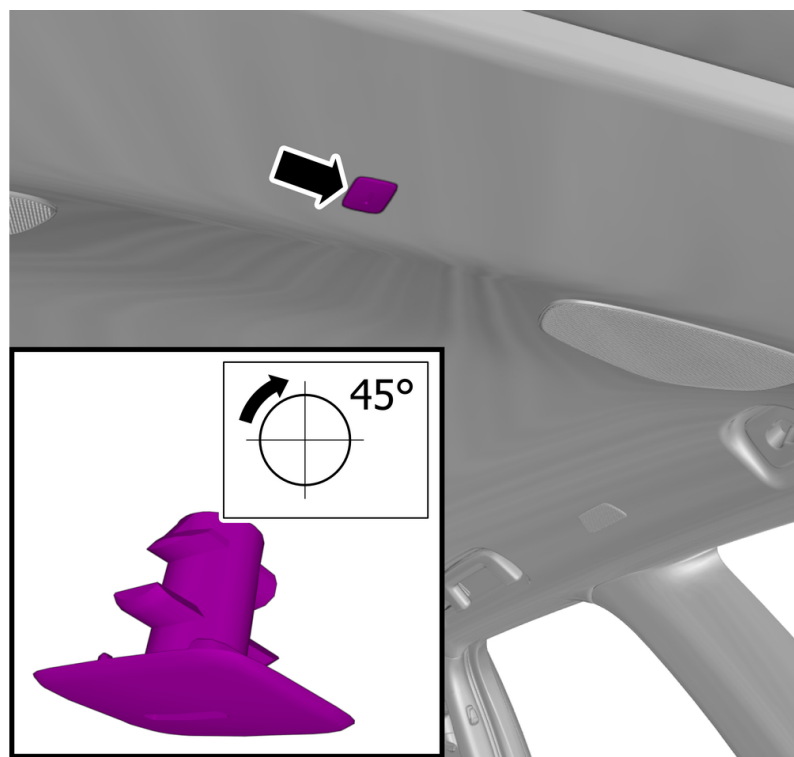
Remove the C-pillar trim panel , refer to:  
Removal, replacement and installation  
8 - Body and interior  
85 - Interior  
851 - upholstery for wall/door, side, rear  
shelf, luggage rack

Remove the D-pillar trim panel , refer to:  
Removal, replacement and installation  
8 - Body and interior  
85 - Interior  
851 - upholstery for wall/door, side, rear  
shelf, luggage rack

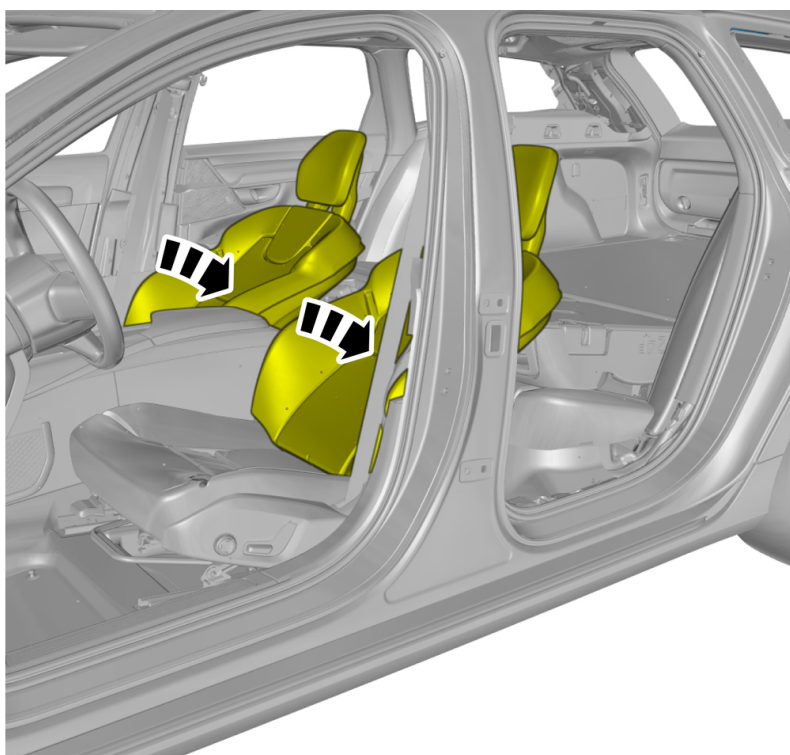
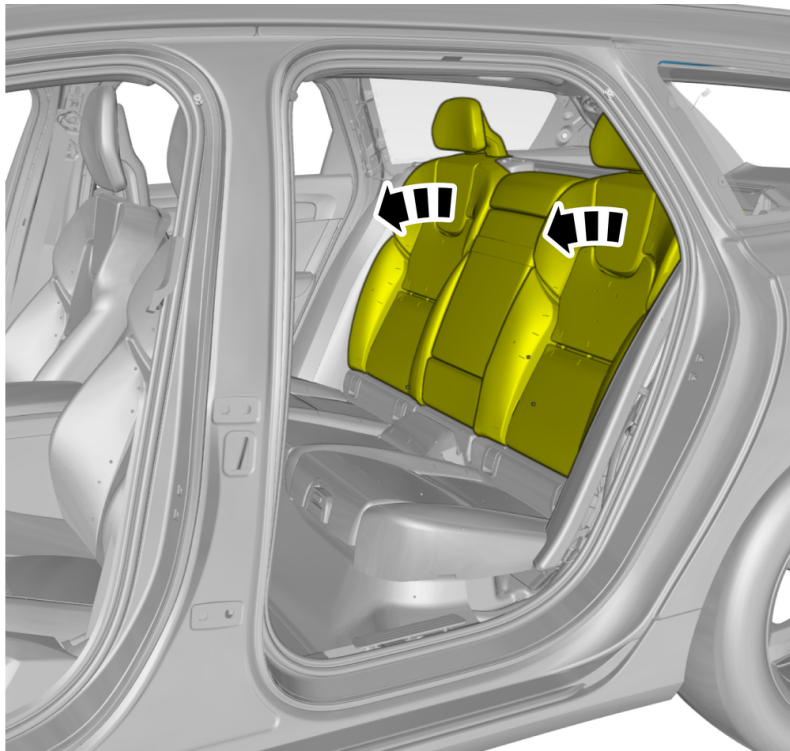


Remove the fasteners.  
On both sides.

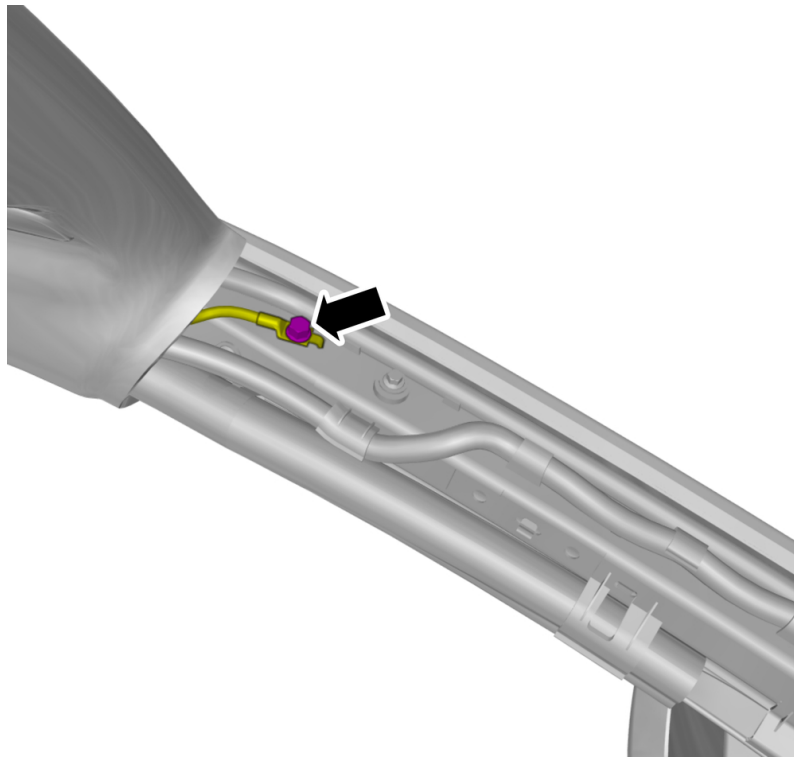
**Use:** Interior trim remover



Remove the fastener.



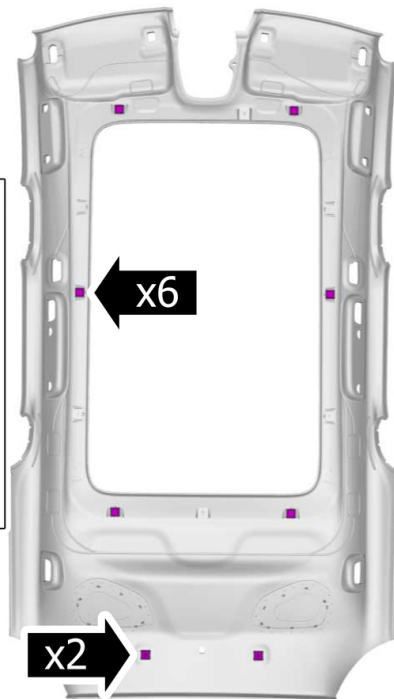
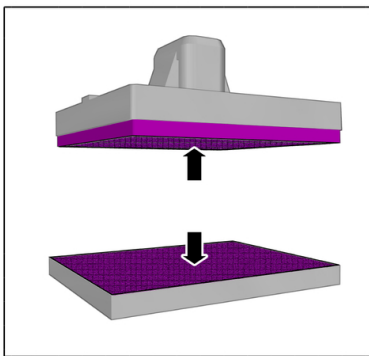
Vehicles with roof opening panel



Remove the screws.

**Torque:**

M6 , 10 Nm



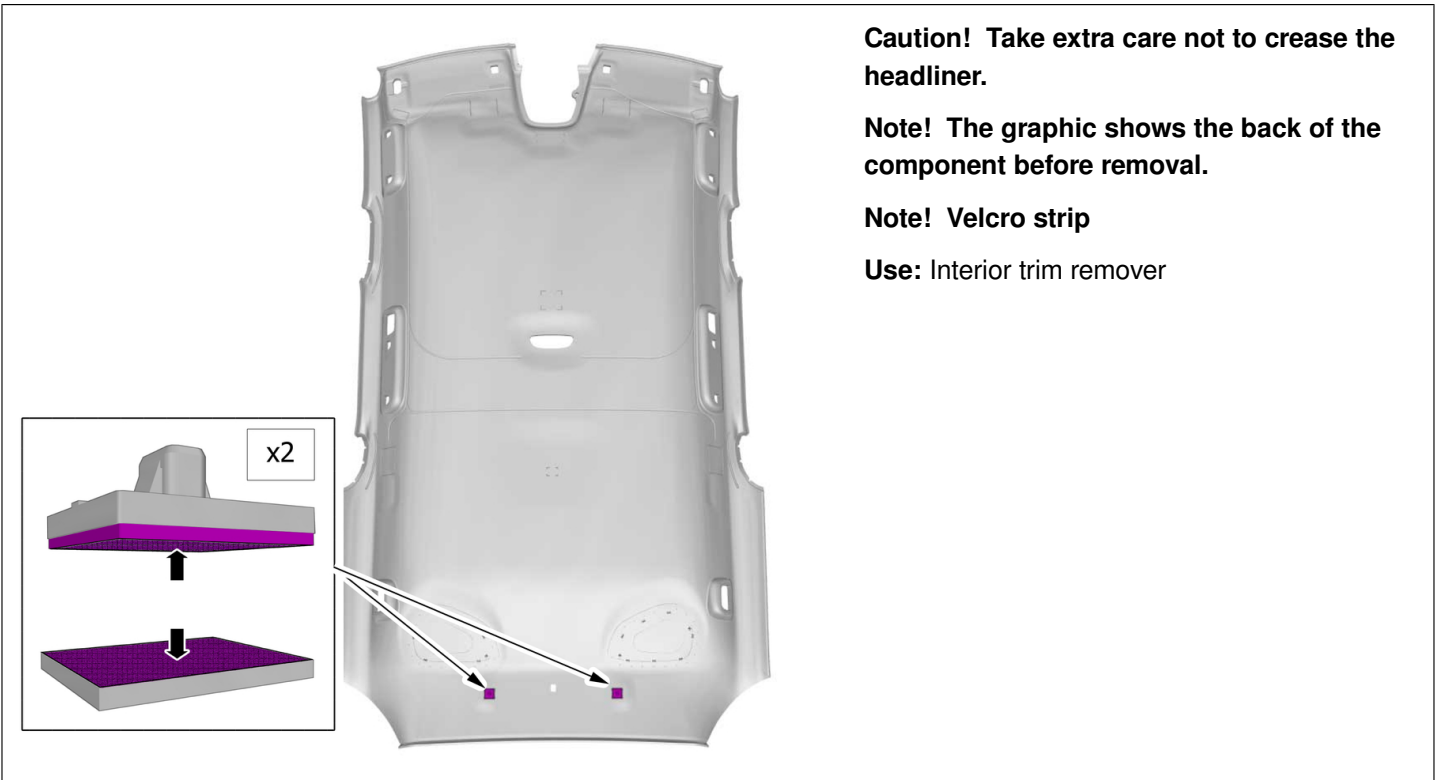
**Caution!** Take extra care not to crease the headliner.

**Note!** The graphic shows the back of the component before removal.

**Note!** Velcro strip

**Use:** Interior trim remover

Vehicles without roof opening panel



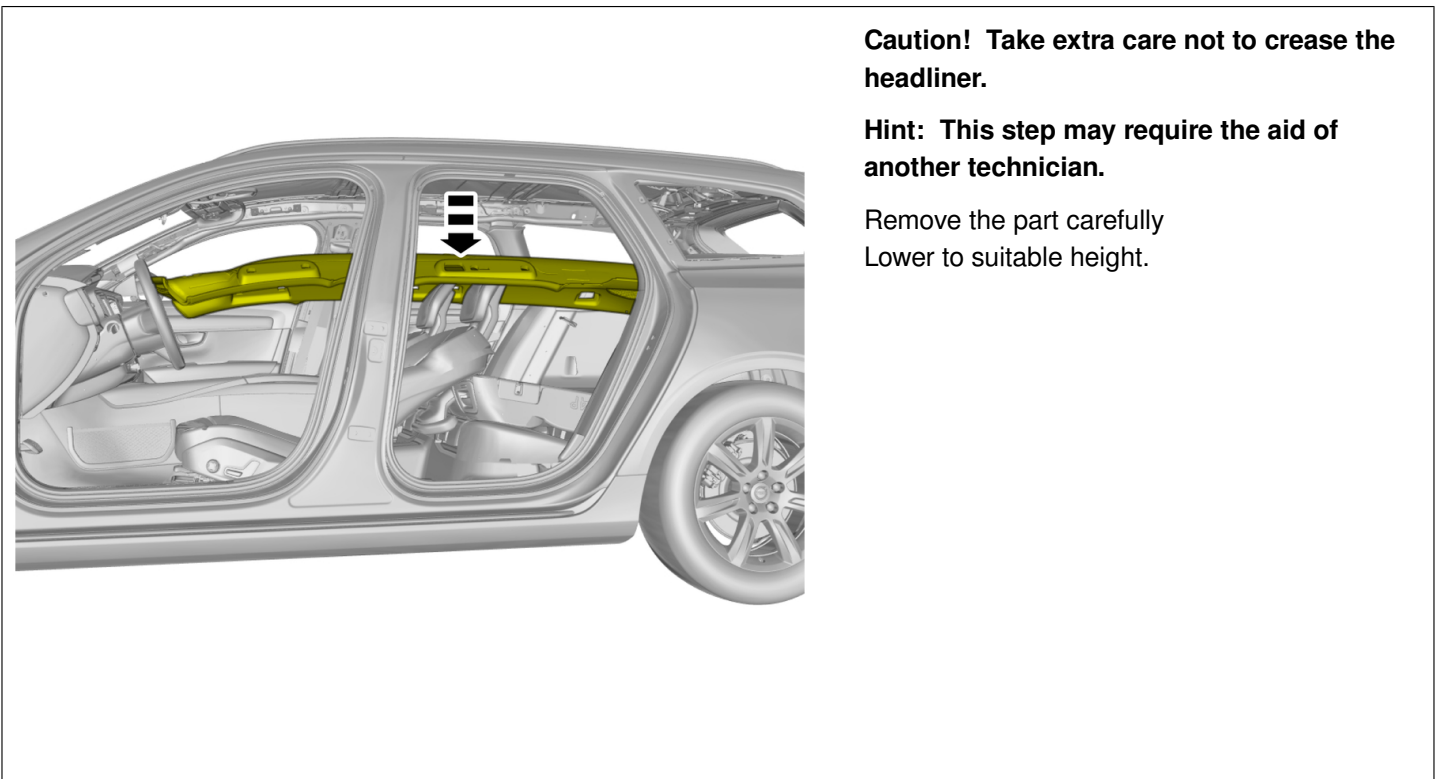
**Caution!** Take extra care not to crease the headliner.

**Note!** The graphic shows the back of the component before removal.

**Note!** Velcro strip

**Use:** Interior trim remover

All vehicles



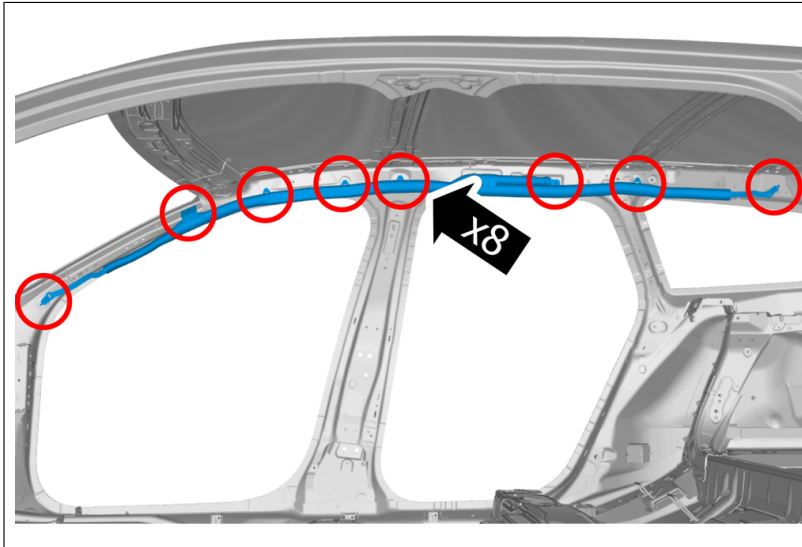
**Caution!** Take extra care not to crease the headliner.

**Hint:** This step may require the aid of another technician.

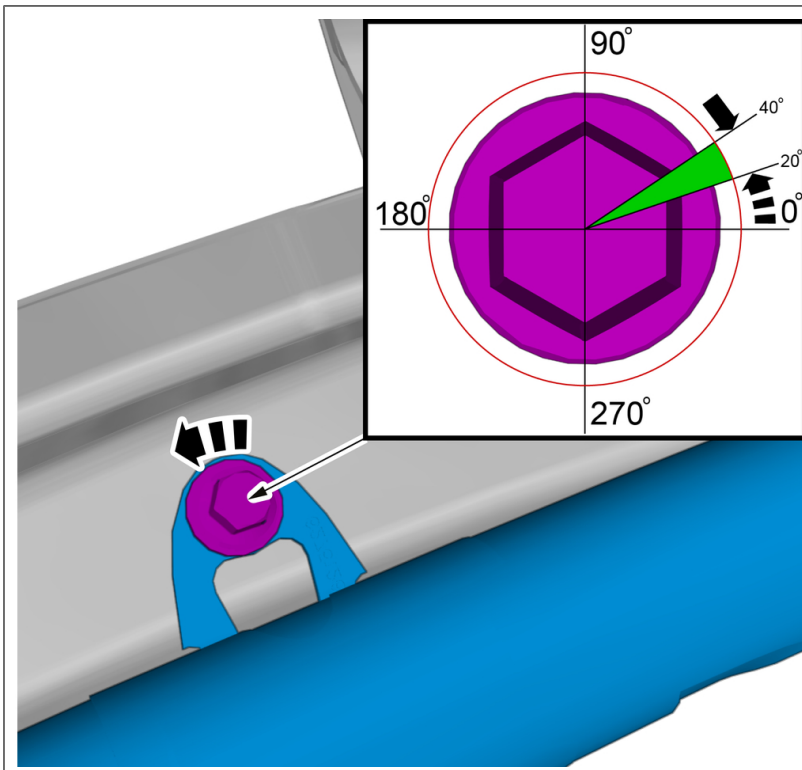
Remove the part carefully  
Lower to suitable height.



Check



**Note!** Orientation view



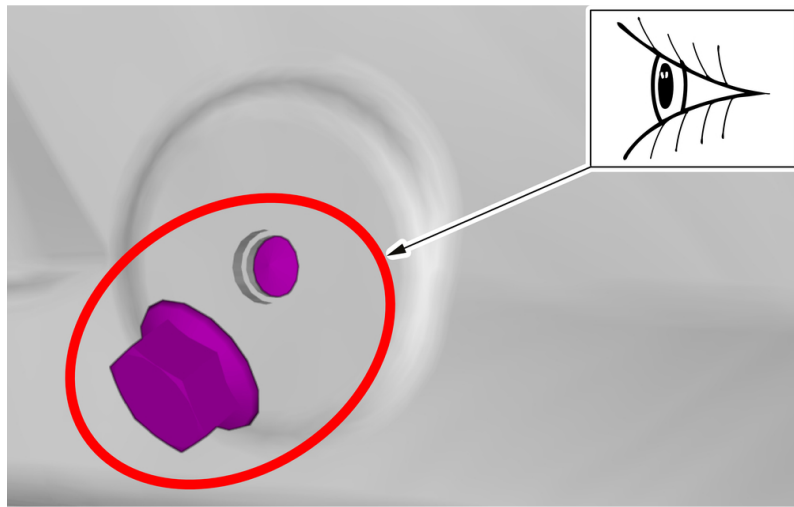
**Warning!** Loosen the screw between 20-40 degrees.

**Warning!** Do not re-tighten the screw after it has been loosened 20-40 degrees!

**Note!** Repeat the steps with the other marked screws.

On both sides.



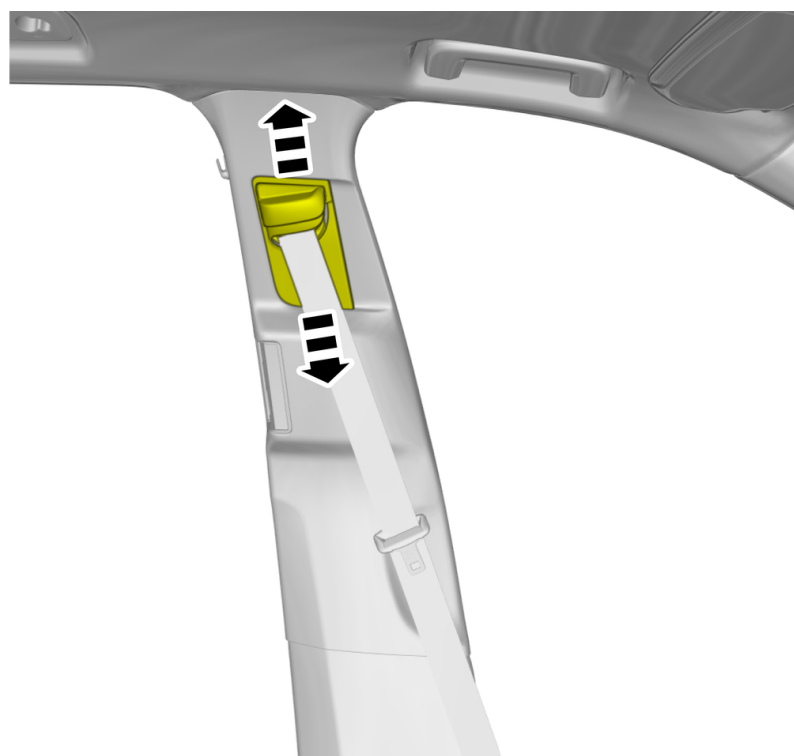


If the result of the checking procedure is not OK, the broken bolt must be replaced with a new bolt.

If no faults are detected, to install, reverse the removal procedure.

### Installation

To install, reverse the removal procedure.



Check for correct operation.  
On both sides.