



Volvo Car Customer Service

QB Instruction VCC-501373-1

| | | | |
|---------------|--------------------|-------------|----------|
| Title | Inflatable curtain | Page | 1 (11) |
| Action | Replacement | | |

| Issue | Date | Reason |
|-------|---------|-------------|
| 1 | 2017-02 | First issue |

Affected vehicles

| Model year | Model |
|------------|-------------------|
| 2017 | S90 (17-) |
| 2017 | V90 (17-) |
| 2017 | V90 Cross Country |
| 2016, 2017 | XC90 (16-) |

Materials

| Materials | Qty. | Part No. | Notes |
|-----------|-----------|----------|-------|
| Bolt | As needed | 30622999 | |

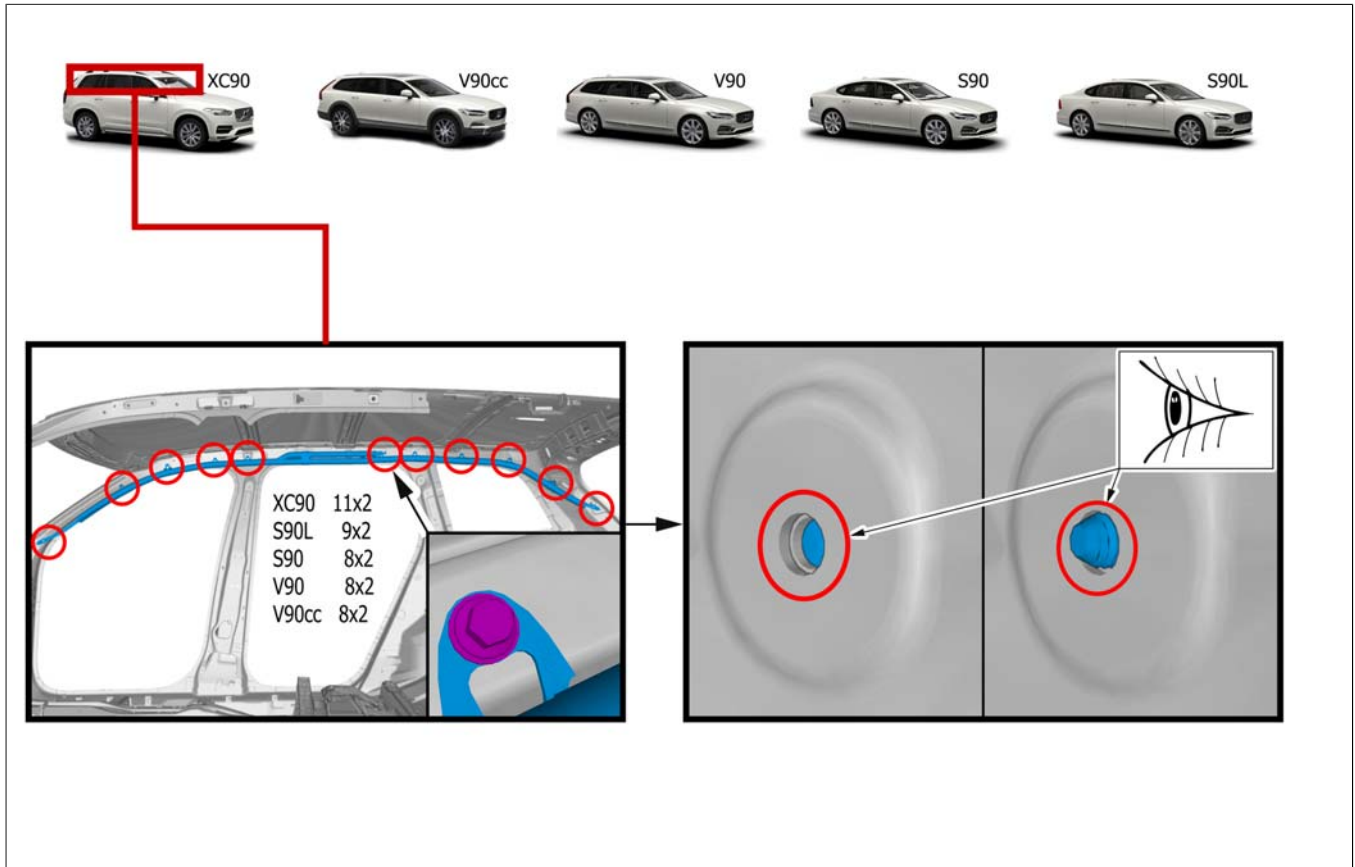
Special tools

| Description | Part No. |
|---|---|
| Drill bit 2.5mm or 3/32in (Alternative) | 9814221, available only in kit number 33300051 |
| Fixture | 9997643, available only in kit number 33300051 |
| Angle drill | 9814222, please refer to Special tool request form TJ 32467 |

Equipment

| Designation | Part No. |
|---------------------------------|----------|
| Pliers | |
| Magnetic bits holder socket | |
| Block wrench with lock function | |
| Vacuum cleaner | |

Orientation view



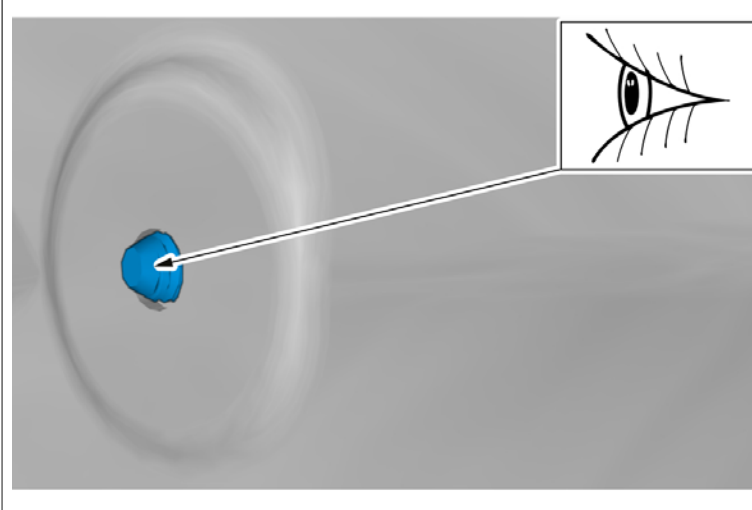
Color symbols

Note! This colour chart displays (in colour print and electronic version) the importance of the different colours used in the images of the method steps.

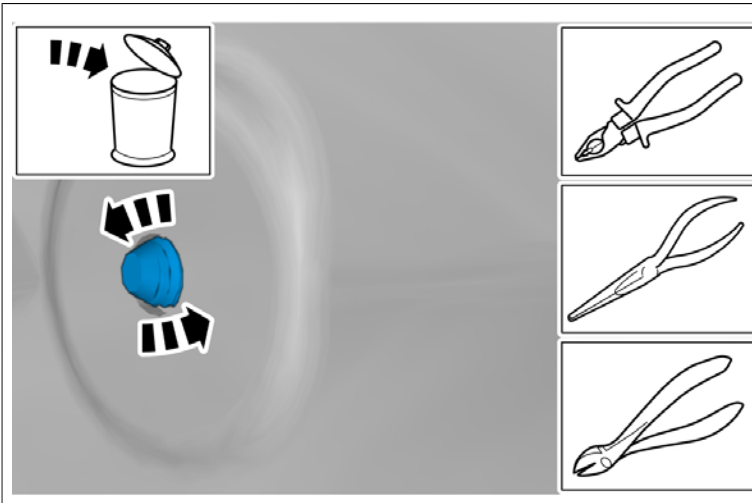
- 1 . Used for focused component, the component with which you will do something.
- 2 . Used as extra colors when you need to show or differentiate additional parts.
- 3 . Used for attachments that are to be removed/installed. May be screws, clips, connectors, etc.
- 4 . Used when the component is not fully removed from the vehicle but only hung to the side.
- 5 . Used for standard tools and special tools.
- 6 . Used as background color for vehicle components.

Removal

All vehicles



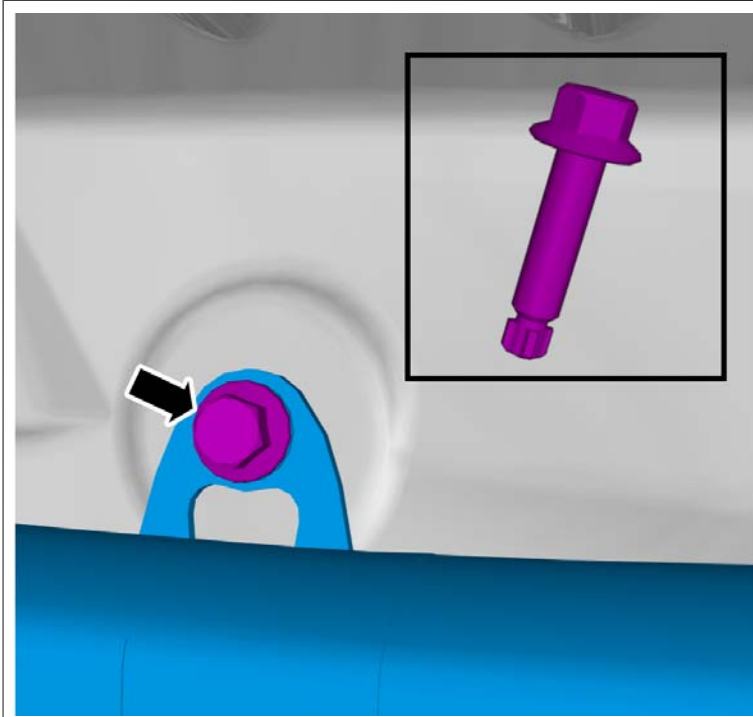
Note! Orientation view



Remove the screw.

Use: Pliers

Installation



Install the bolt.

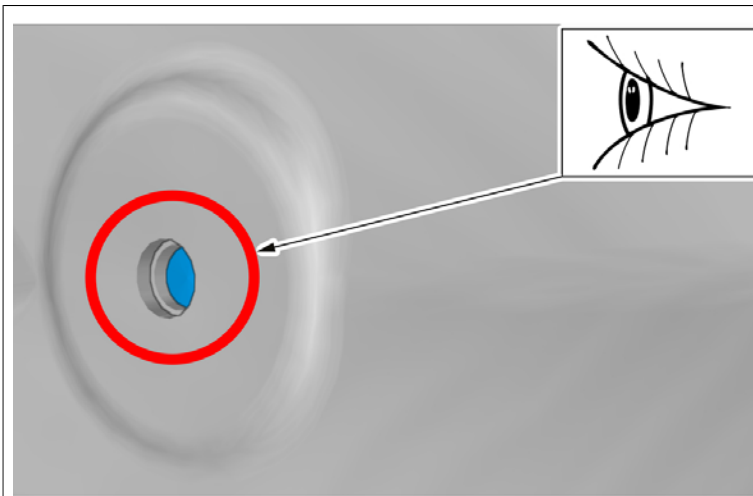
Torque:

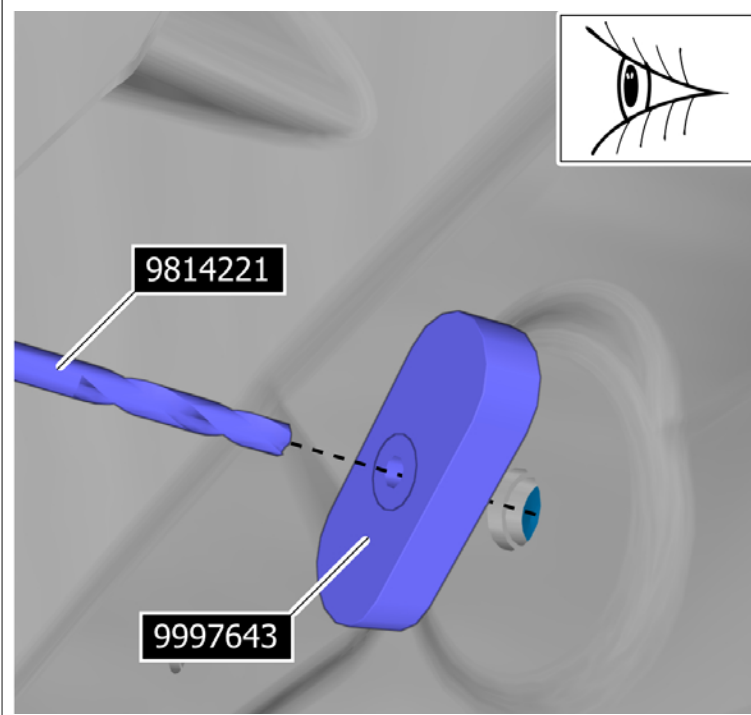
Inflatable curtain to the body , 6 Nm

To install, reverse the removal procedure.

Repair

All vehicles





Warning! Wear safety goggles.

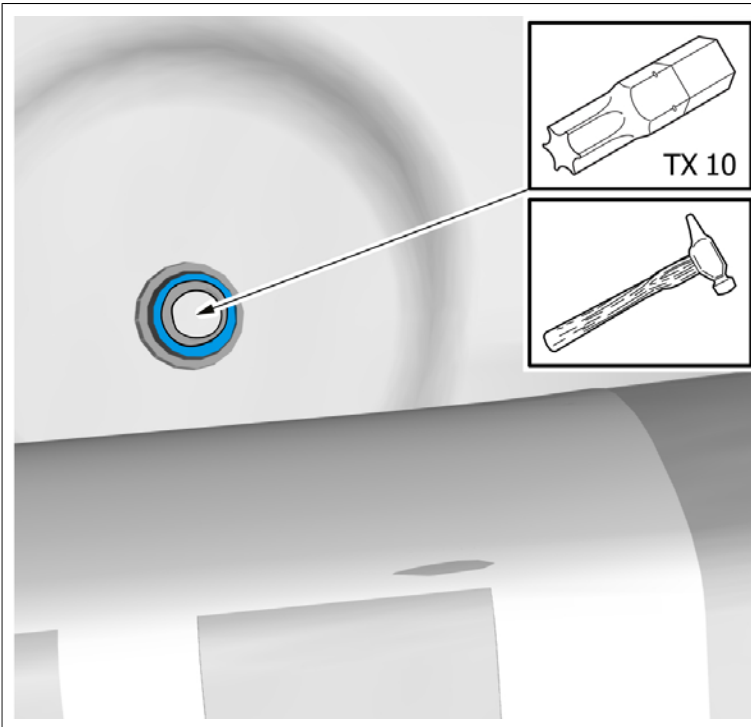
Note! Use the fixture 1 or 2 (two fixtures supplied) that fits the hole without play. Applies to all positions.

Special Tool: T9814221, Drill bit 2.5mm or use 3/32in drill bit as an alternative.

Caution: If an alternative drill bit is used, do not drill deeper than 4-6mm.

Special Tool: T9997643, Fixture 1 or 2

Note: These part numbers are available only in kit P/N 33300051.

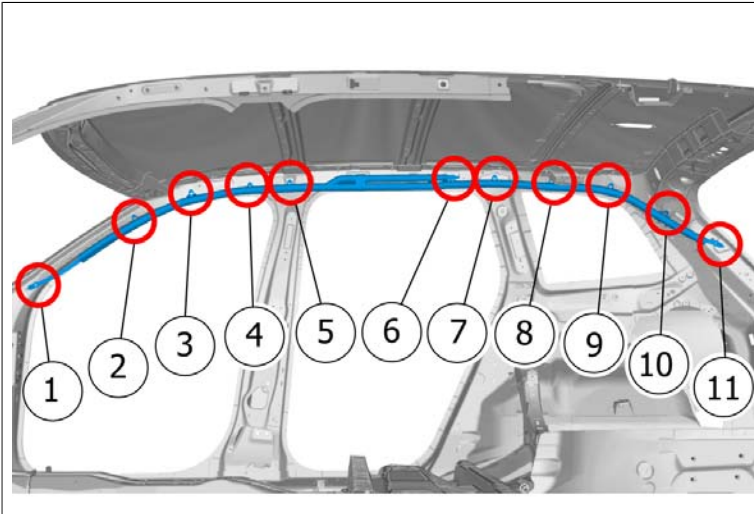


Caution! Use TX-10 as an extractor tool.

Use: Magnetic bits holder socket

Use: Block wrench with lock function

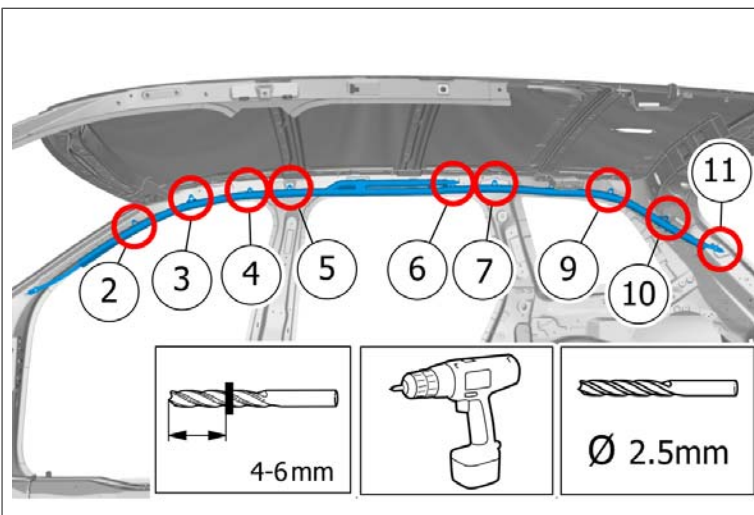
Applies to XC90 models



Note! Orientation view

Note: If a broken bolt is found on position 1 or 2 an angle drill 9814222 is needed.

Follow the Special tool request form attached to TJ 32467.



Warning! Wear safety goggles.

Locate the markings for the positions.
Use a drill with the indicated bit size

Special Tool: T9814221, Drill bit 2.5mm or use 3/32in drill bit as an alternative.

Special Tool: T9997643, Fixture 1 or 2

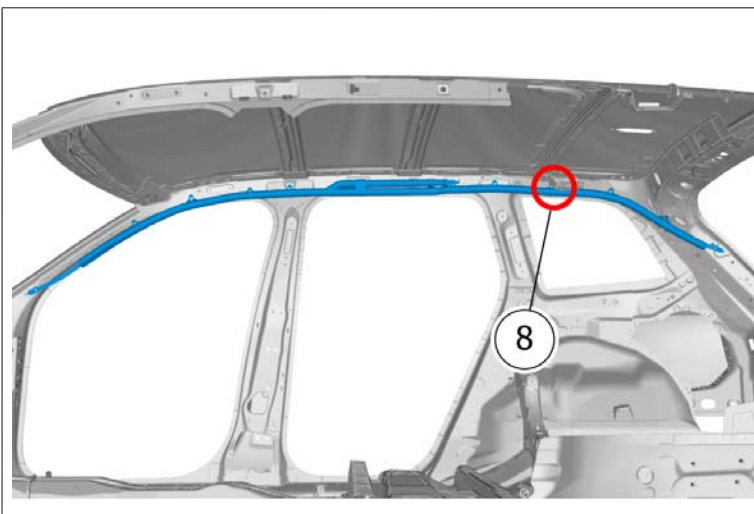
Use: Vacuum cleaner

Install the new bolt.

Torque:

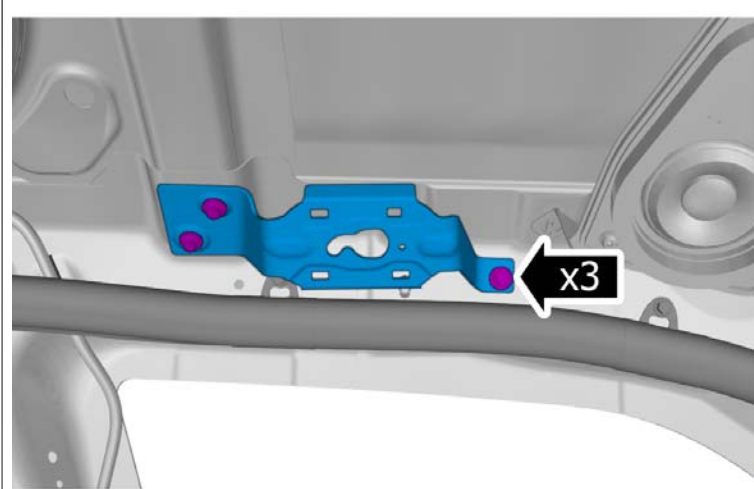
Inflatable curtain to the body , 6 Nm

On both sides.



Locate relevant marking.

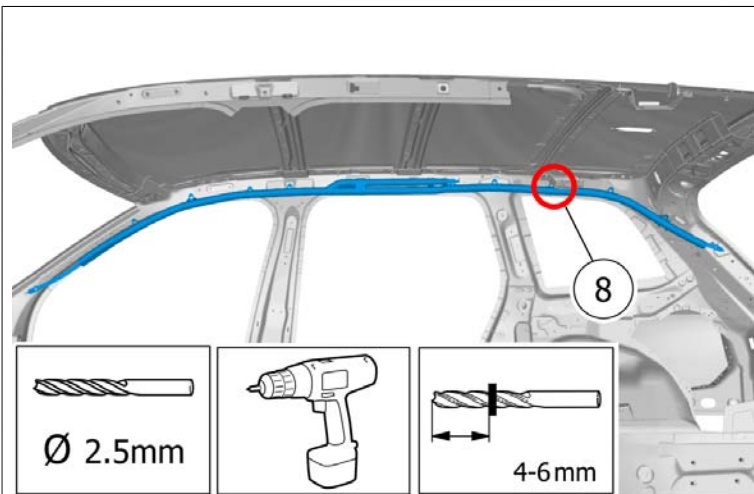
On both sides.



Remove the screws.
Remove the marked part.
On both sides.

Torque:

Rear loadnet retainer bracket, to Body ,
7 Nm



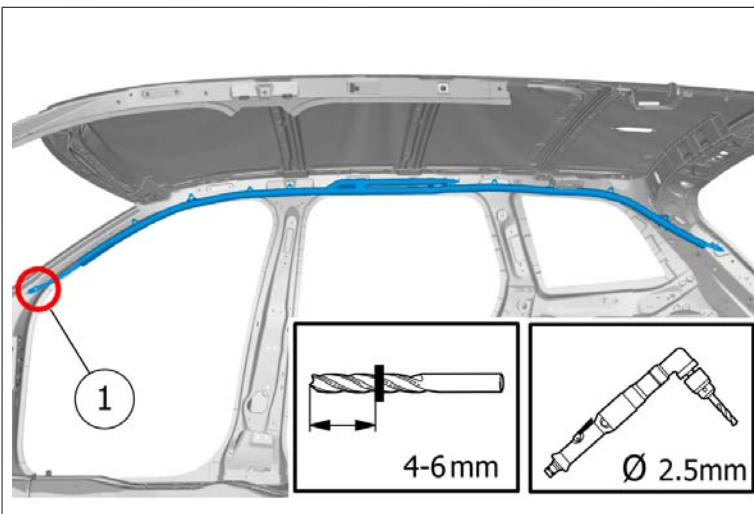
Warning! Wear safety goggles.

Use a drill with the indicated bit size.
Special Tool: T9814221, Drill bit 2.5mm or
use 3/32in drill bit as an alternative.
Special Tool: T9997643, Fixture 1 or 2
Use: Vacuum cleaner

Install the bolt.

Torque:

Inflatable curtain to the body , 6 Nm
On both sides.



Warning! Wear safety goggles.

Note: Position 1 requires T9814222
angle drill with the indicated bit size.

Special Tool: T9814222, Angle drill
Special Tool: T9814221, Drill bit 2.5mm
Special Tool: T9997643, Fixture 1 or 2
Use: Vacuum cleaner and dash protection.

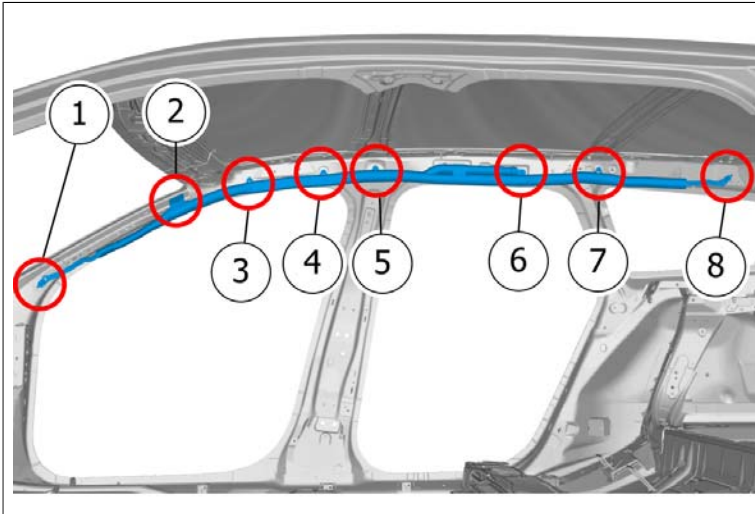
Install the bolt.

Torque:

Inflatable curtain to the body , 6 Nm
On both sides.

To install, reverse the removal procedure.

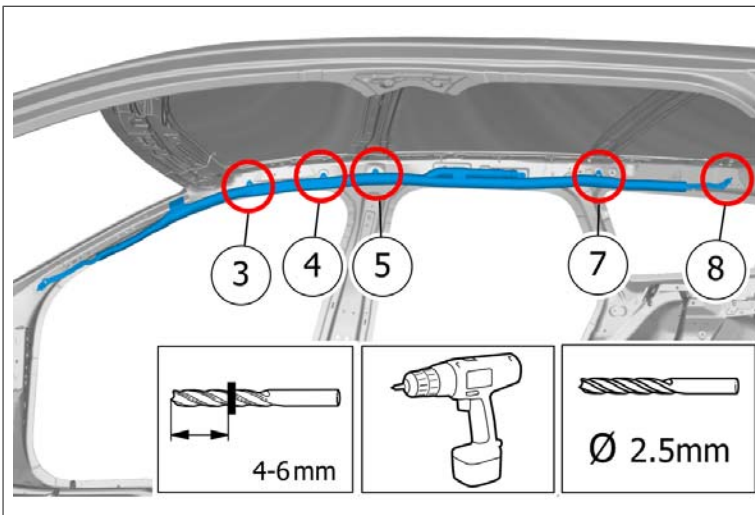
Applies to models V90 and V90 Cross Country



Note! Orientation view

Note: If a broken bolt is found on position 1 or 2 an angle drill 9814222 is needed.

Follow the Special tool request form attached to TJ 32467.



Warning! Wear safety goggles.

Locate the markings for the positions. Use a drill with the indicated bit size

Special Tool: T9814221, Drill bit 2.5mm or use 3/32in drill bit as an alternative.

Special Tool: T9997643, Fixture 1 or 2

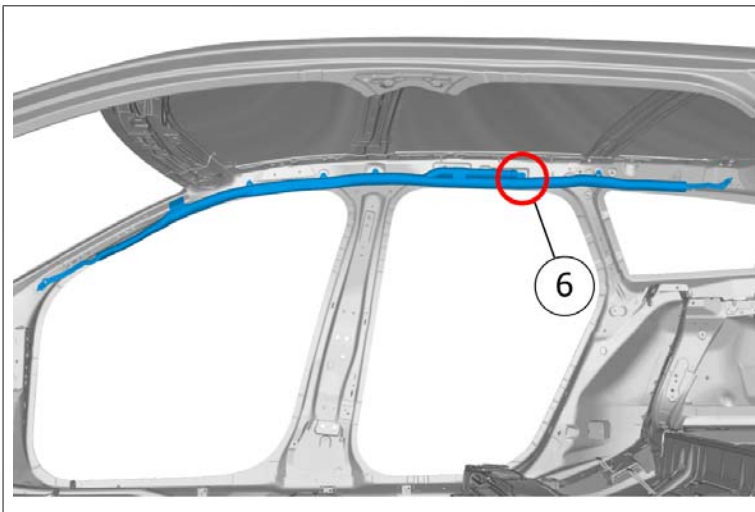
Use: Vacuum cleaner

Install the bolt.

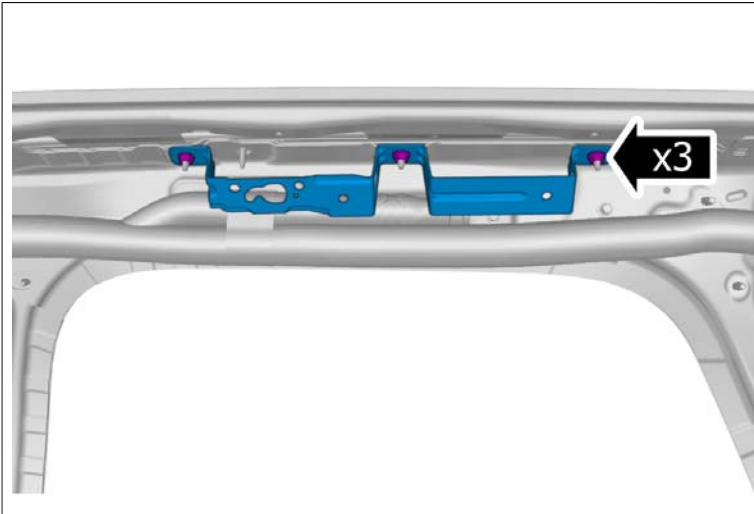
Torque:

Inflatable curtain to the body , 6 Nm

On both sides.



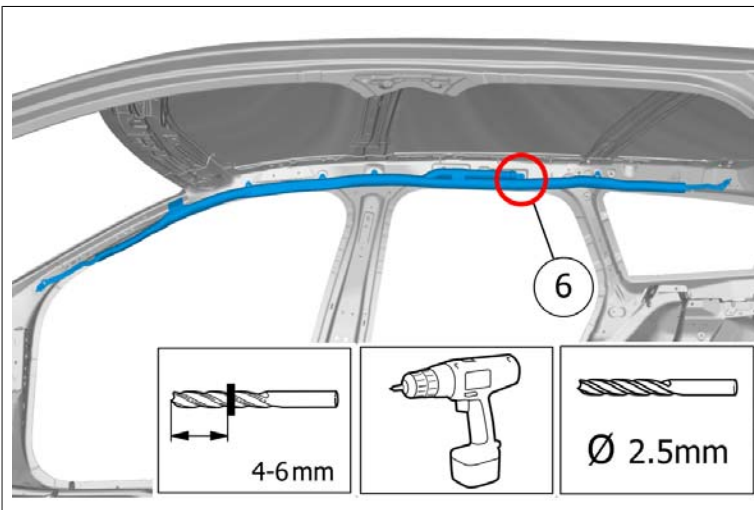
Locate relevant marking.



Remove the bolts.
Remove the marked part.

Torque:

Entry handle bracket, to Body , 8 Nm
On both sides.



Warning! Wear safety goggles.

Locate relevant marking.
Use a drill with the indicated bit size
Special Tool: T9997643, Drill bit 2.5mm or
use 3/32in drill bit as an alternative.

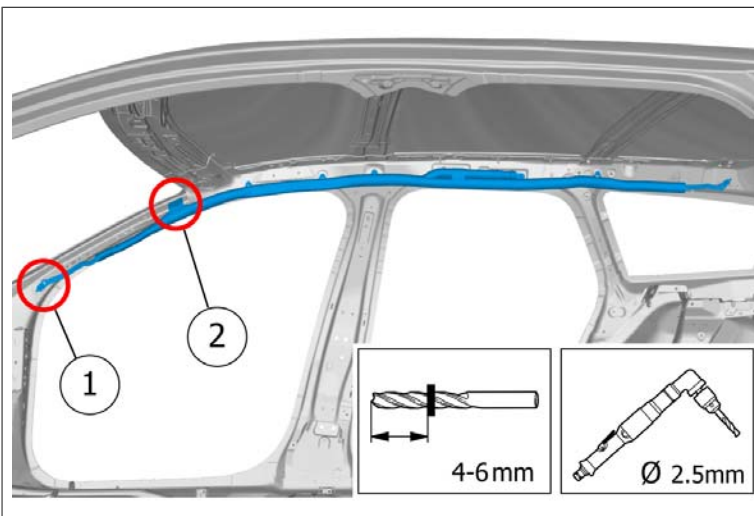
FixtureSpecial Tool: T9814221

Use: Vacuum cleaner

Install the bolt.

Torque:

Inflatable curtain to the body , 6 Nm
On both sides.



Warning! Wear safety goggles.

Locate the markings for the positions.
Use angle drill with the indicated bit size
Special Tool: T9814222, Angle drill

Special Tool: T9814221, Drill bit 2.5mm or
use 3/32in drill bit as an alternative.

Special Tool: T9997643, Fixture 1 or 2

Use: Vacuum cleaner and dash protection.

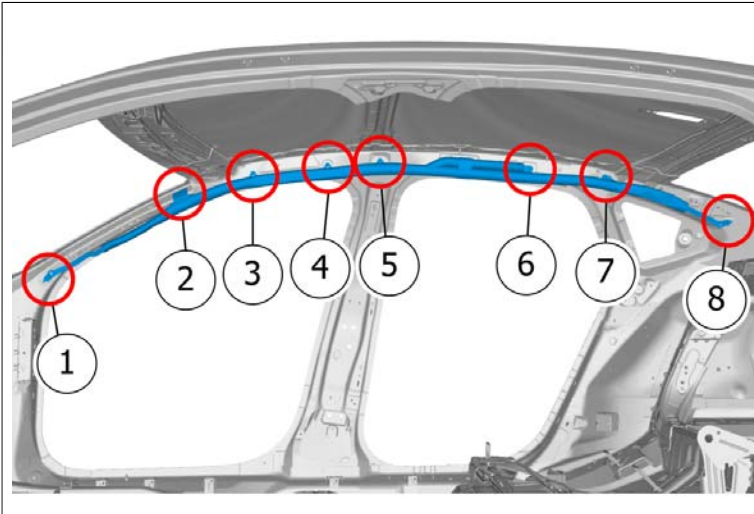
Install the bolt.

Torque:

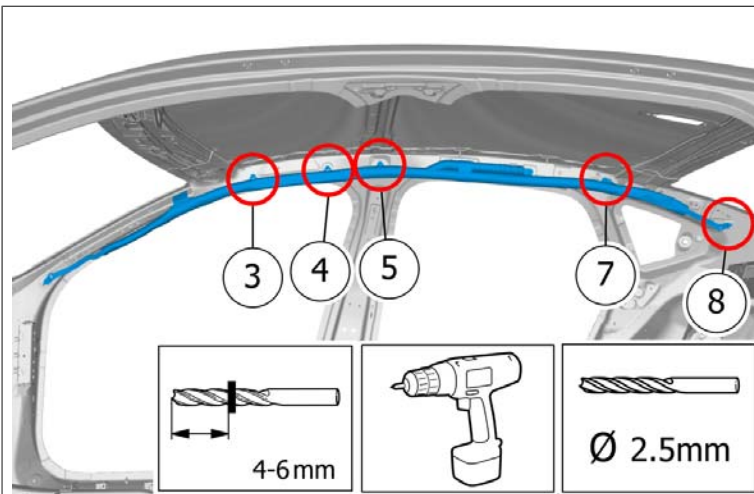
Inflatable curtain to the body , 6 Nm
On both sides.

To install, reverse the removal procedure.

Applies to S90 models



Note! Orientation view



Warning! Wear safety goggles.

Locate the markings for the positions.
Use a drill with the indicated bit size

Special Tool: T9997643, Fixture

Special Tool: T9814221, Drill bit 2.5mm or
use 3/32in drill bit as an alternative.

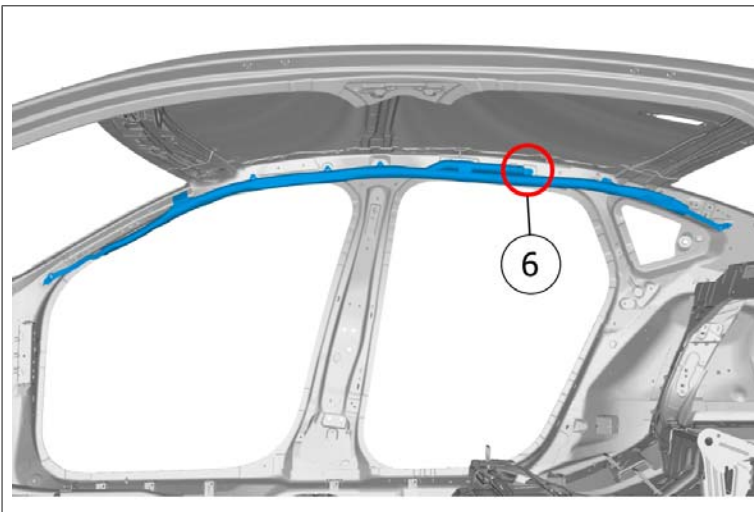
Use: Vacuum cleaner

Install the bolt.

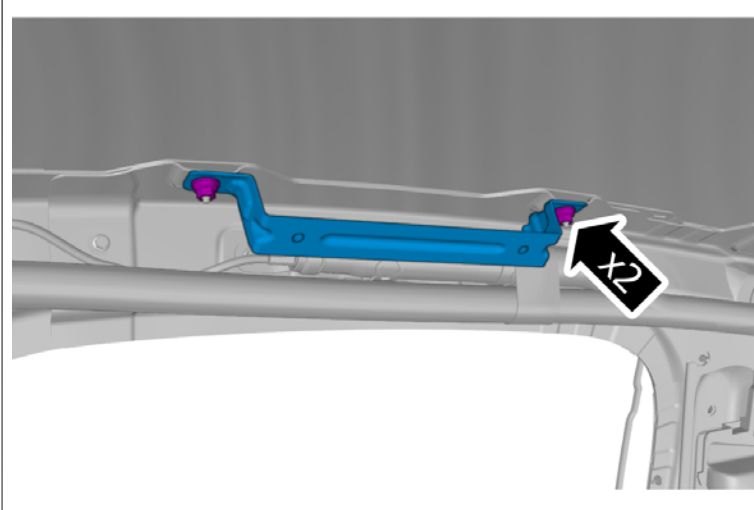
Torque:

Inflatable curtain to the body , 6 Nm

On both sides.



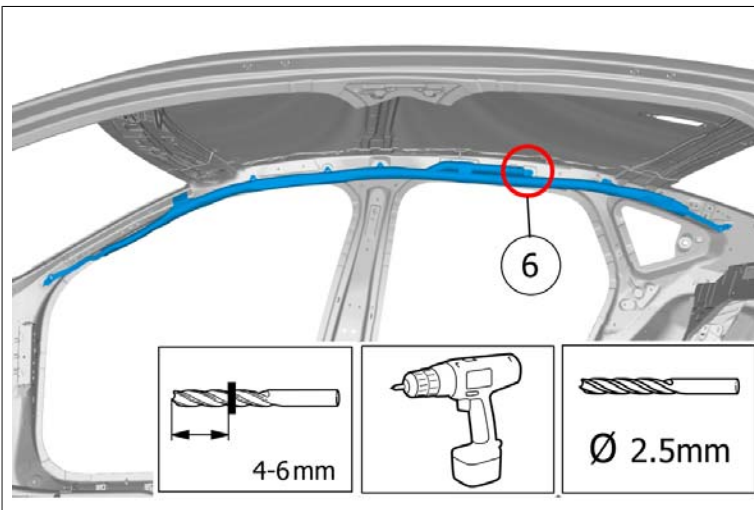
Locate relevant marking.



Remove the nuts.
Remove the marked part.

Torque:

Entry handle bracket, to Body , 8 Nm
On both sides.

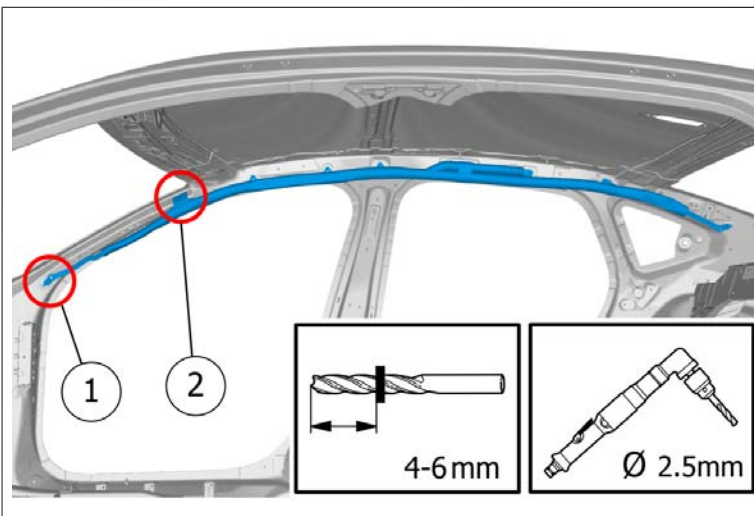


Warning! Wear safety goggles.

Use a drill with the indicated bit size
Special Tool: T9997643, Fixture
Special Tool: T9814221, Drill bit 2.5mm or use 3/32in drill bit as an alternative.

Use: Vacuum cleaner
Install the bolt.

Torque:
Inflatable curtain to the body , 6 Nm
On both sides.



Warning! Wear safety goggles.

Locate the markings for the positions.
Use angle drill with the indicated bit size
Special Tool: T9814222, Angle drill
Special Tool: T9814221, Drill bit 2.5mm or use 3/32in drill bit as an alternative.

Special Tool: T9997643, Fixture 1 or 2
Use: Vacuum cleaner and dash protection.
Install the bolt.

Torque:
Inflatable curtain to the body , 6 Nm
On both sides.

To install, reverse the removal procedure.