



Volvo Car Customer Service

QB Instruction VCC-501267-3

Title	Inflatable curtain	Page	1 (19)
Action	Bolt replacements	Operation number:	97184-2

Issue	Date	Reason
1	2017-02	First issue
2	2017-03	Technical content change

Affected vehicles

Model year	Model
2017	V90 (17-)
2017	V90 Cross Country

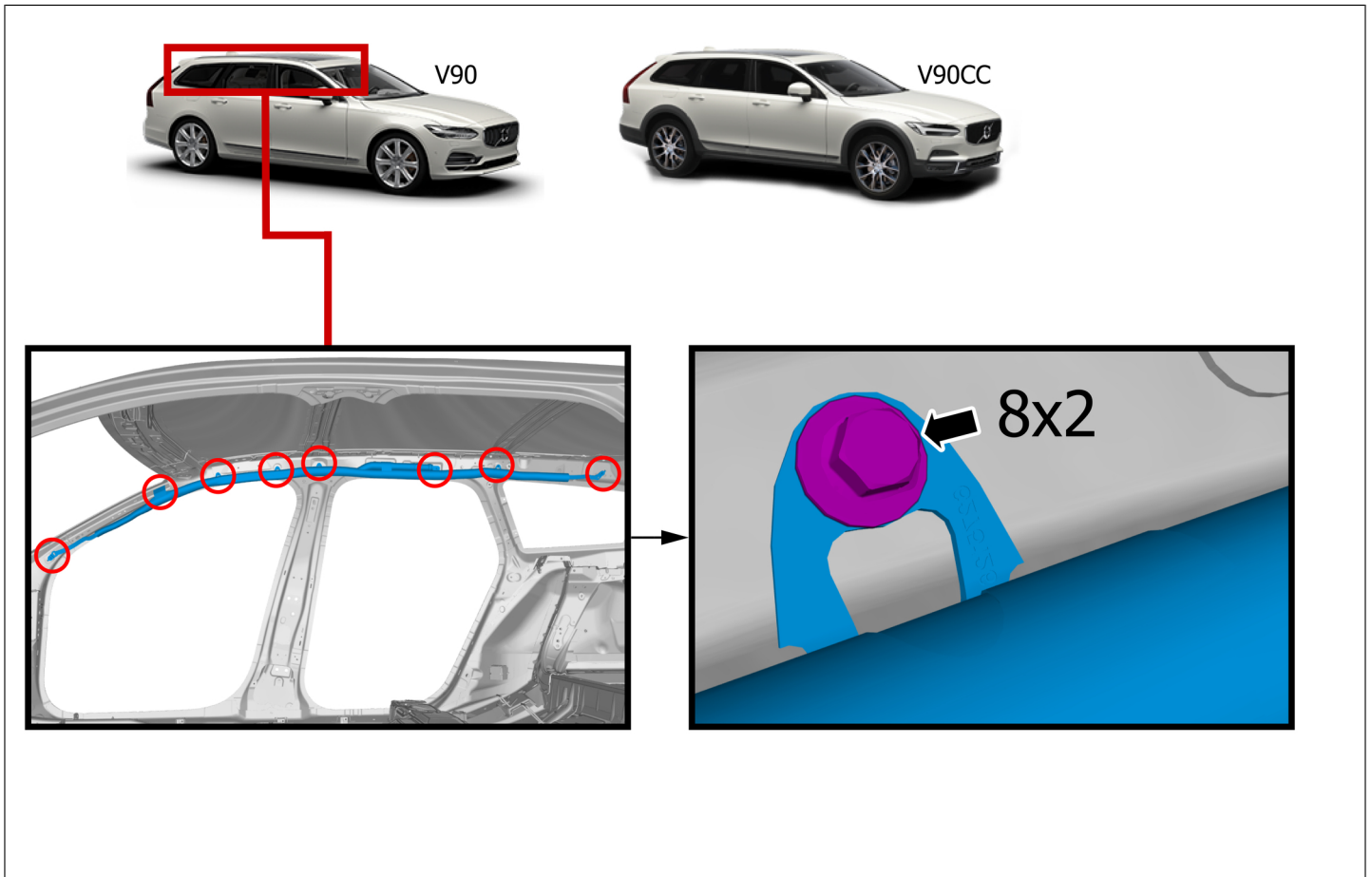
Materials

Materials	Qty.	Part No.	Notes
Bolt	20.0	30622999	

Equipment

Designation	Part No.
Electrician's screwdriver	
Interior trim remover	

Orientation view



Color symbols

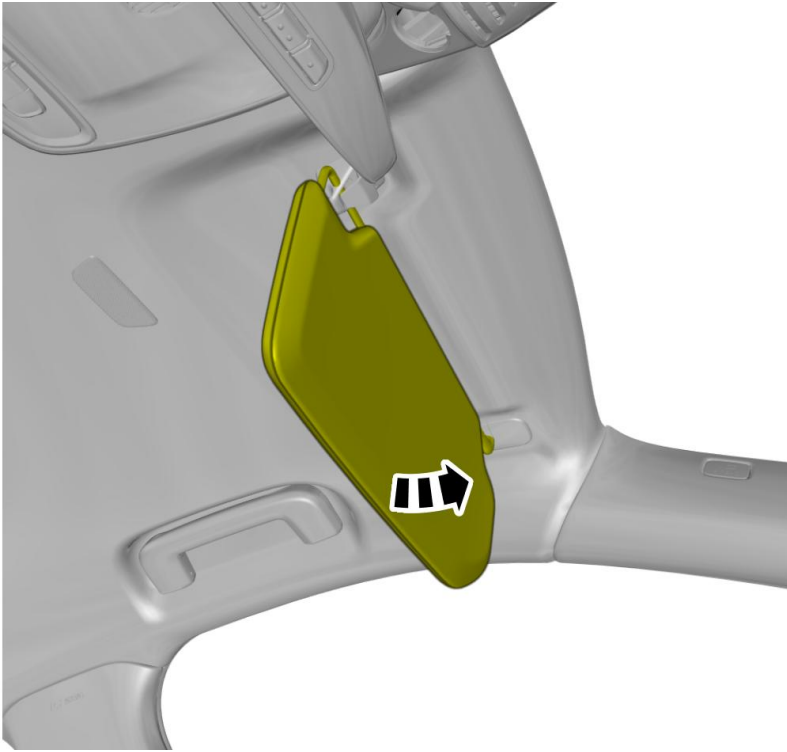
The legend consists of six numbered circles arranged in a 3x2 grid. The first column contains circles 1 (blue), 2 (green), and 2 (orange). The second column contains circles 3 (purple), 4 (yellow), and 6 (grey). The third column contains circles 5 (light blue) and 6 (grey).

Note! This colour chart displays (in colour print and electronic version) the importance of the different colours used in the images of the method steps.

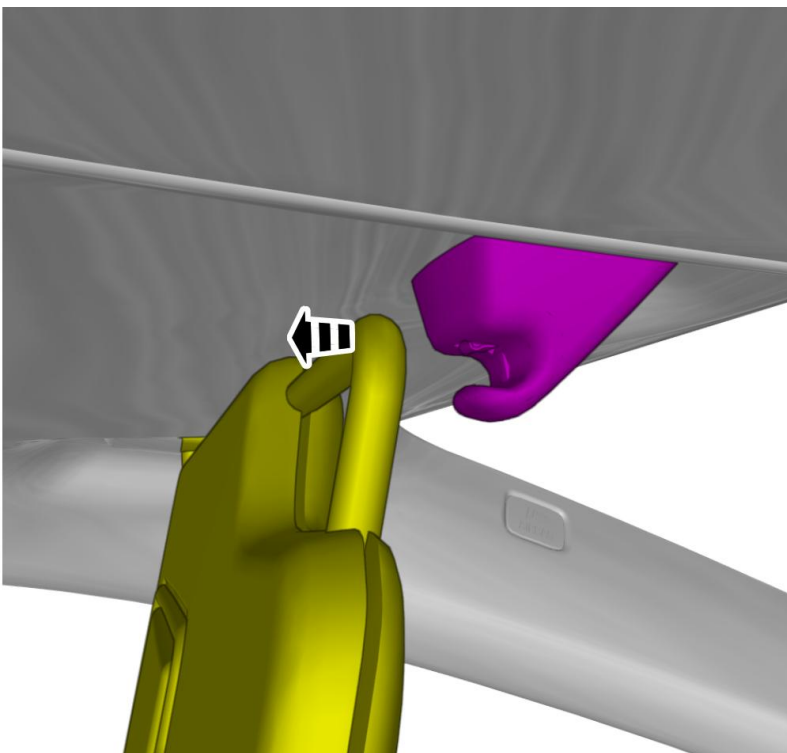
- 1 . Used for focused component, the component with which you will do something.
- 2 . Used as extra colors when you need to show or differentiate additional parts.
- 3 . Used for attachments that are to be removed/installed. May be screws, clips, connectors, etc.
- 4 . Used when the component is not fully removed from the vehicle but only hung to the side.
- 5 . Used for standard tools and special tools.
- 6 . Used as background color for vehicle components.

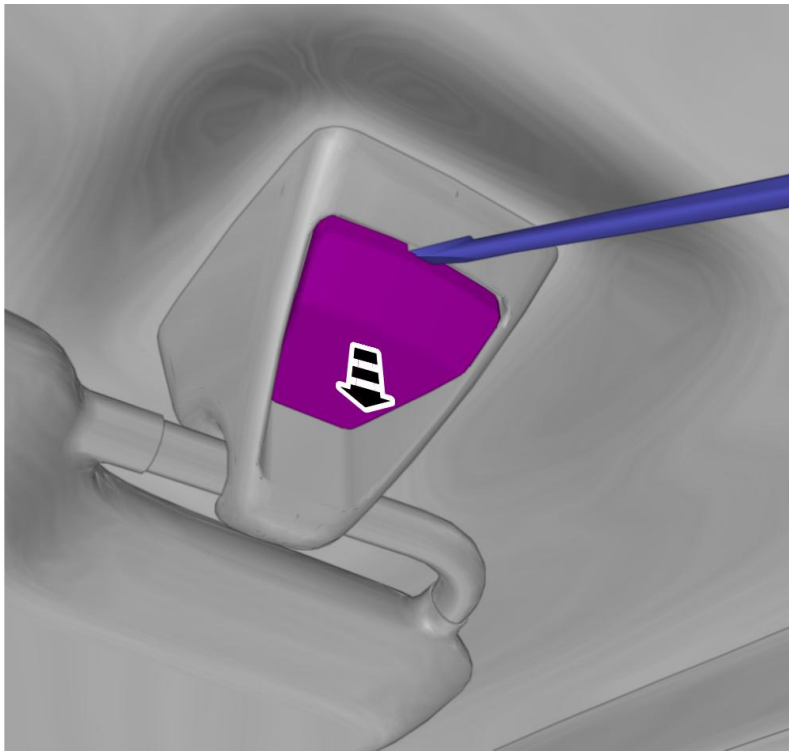
Note! Removal steps in this procedure may contain installation details.

On both sides.



On both sides.

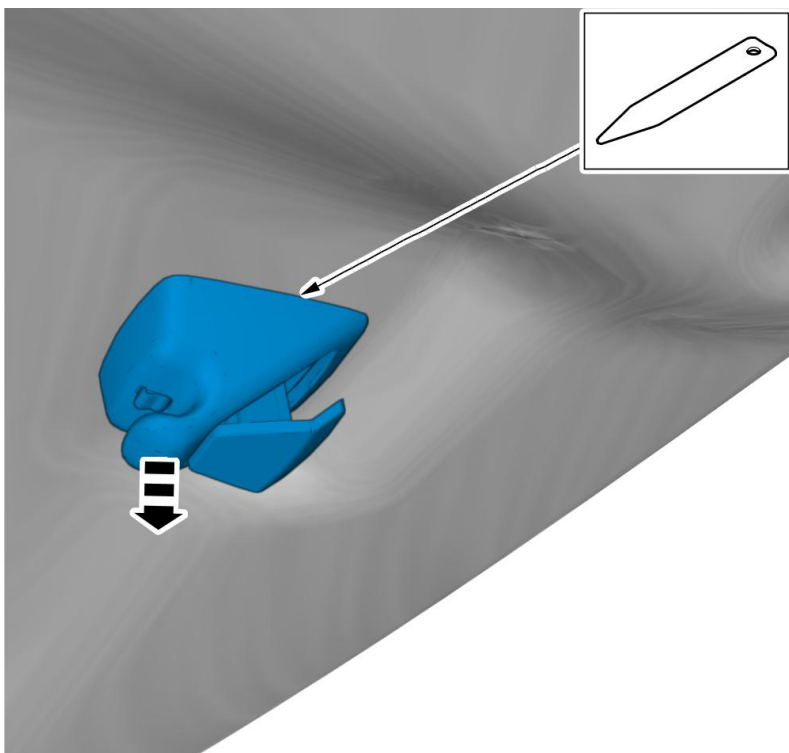




Caution! Take extra care when handling the component.

On both sides.

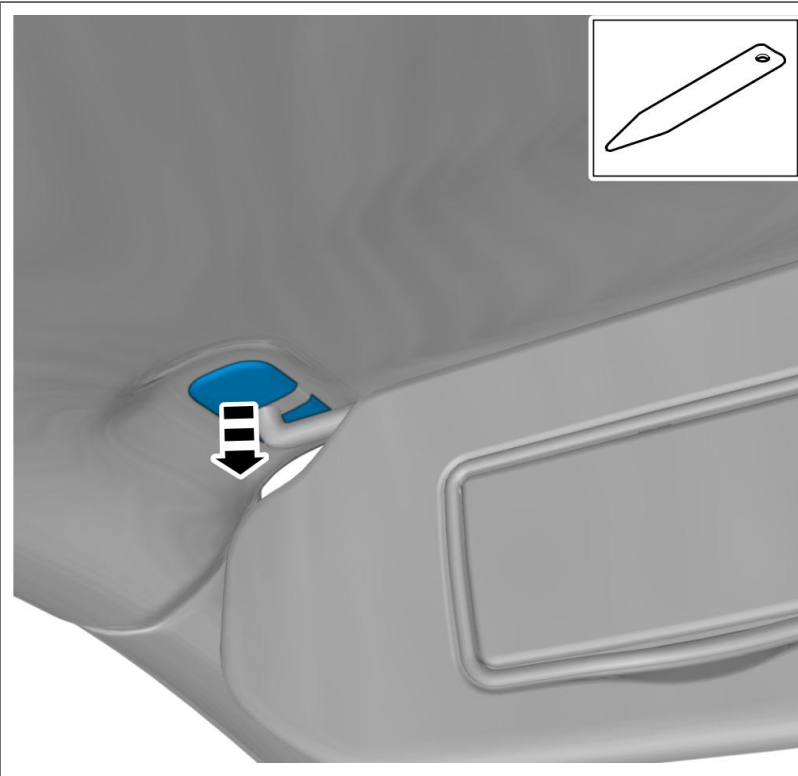
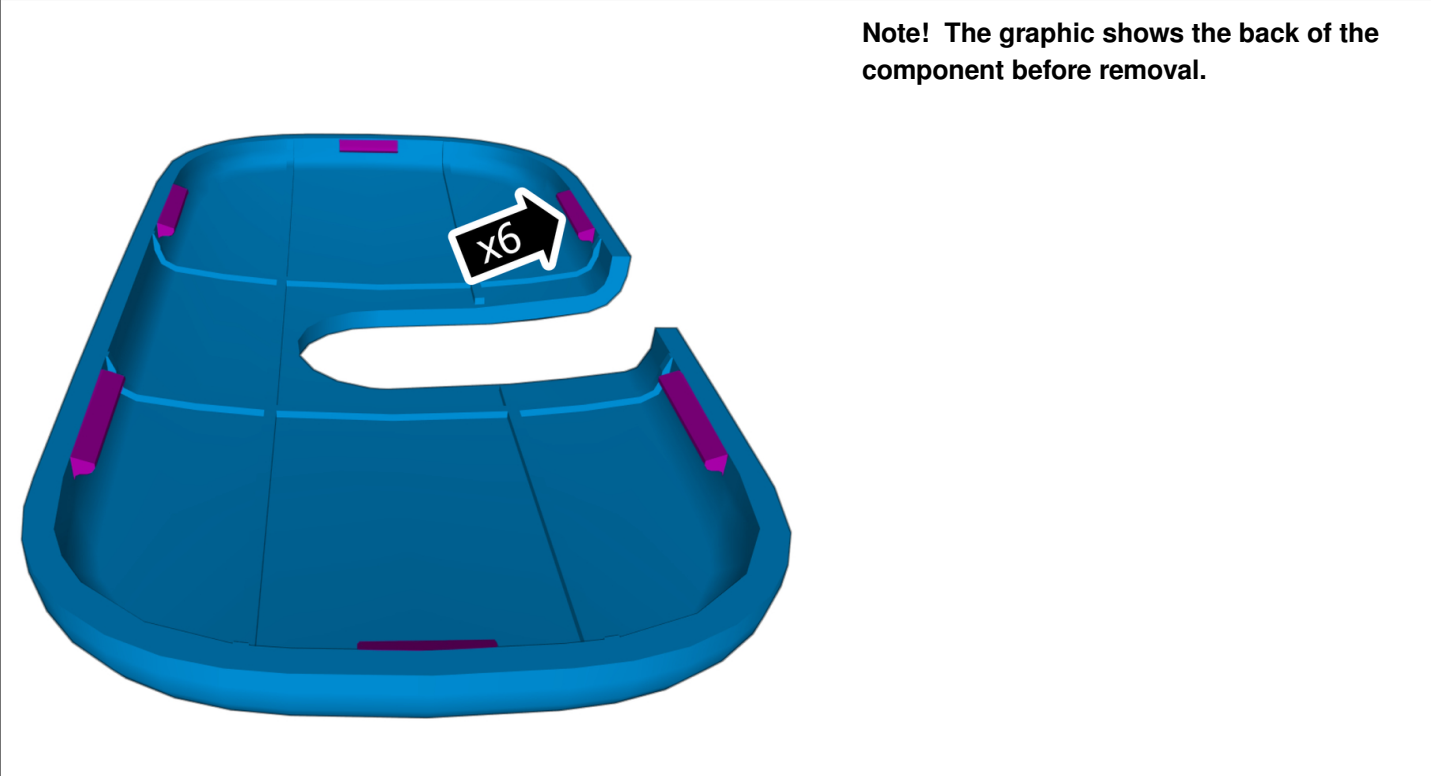
Use: Electrician's screwdriver

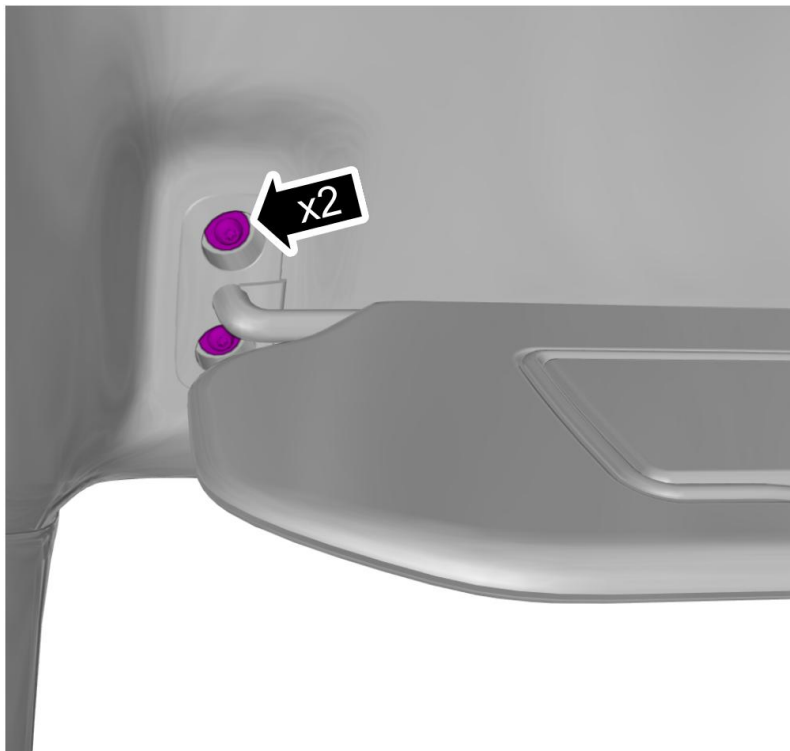


Remove the marked part.

On both sides.

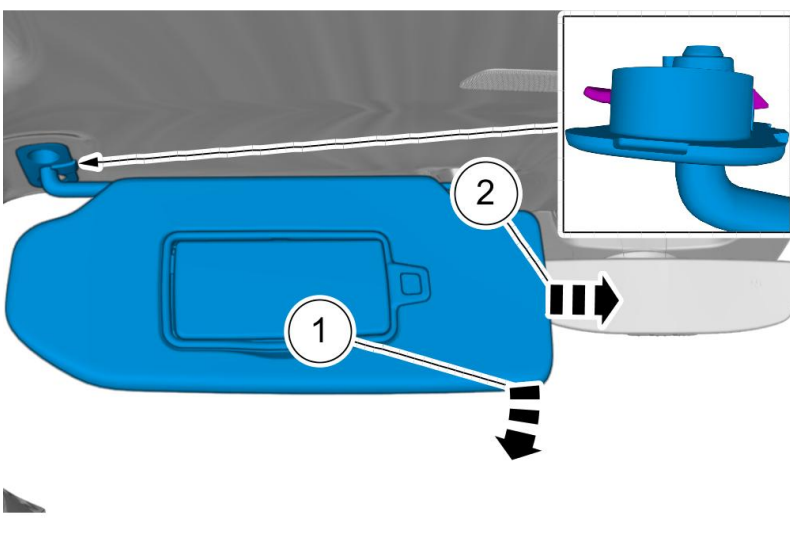
Use: Interior trim remover





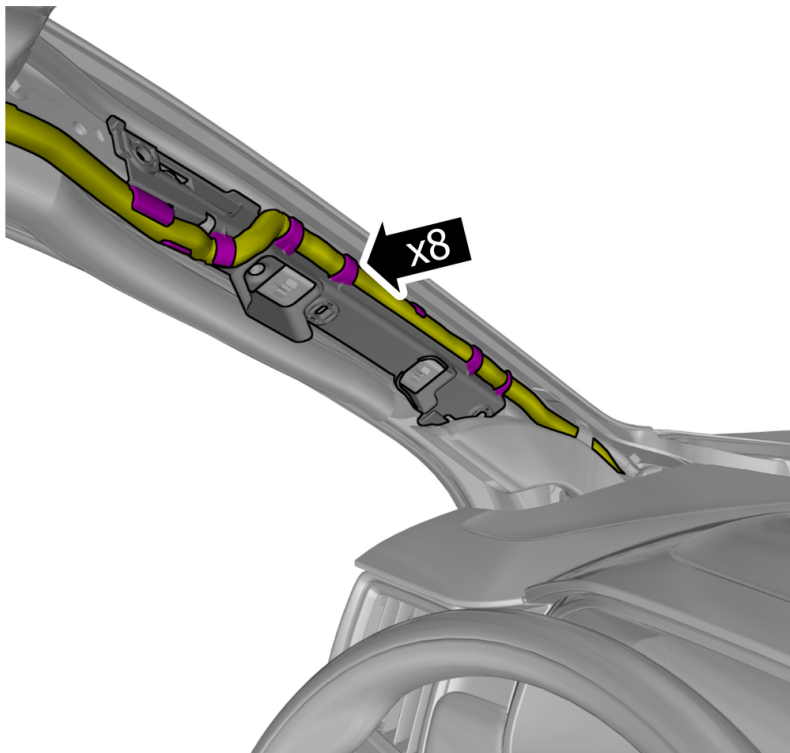
Remove the screws.
On both sides.

Torque:
M5 , 5 Nm



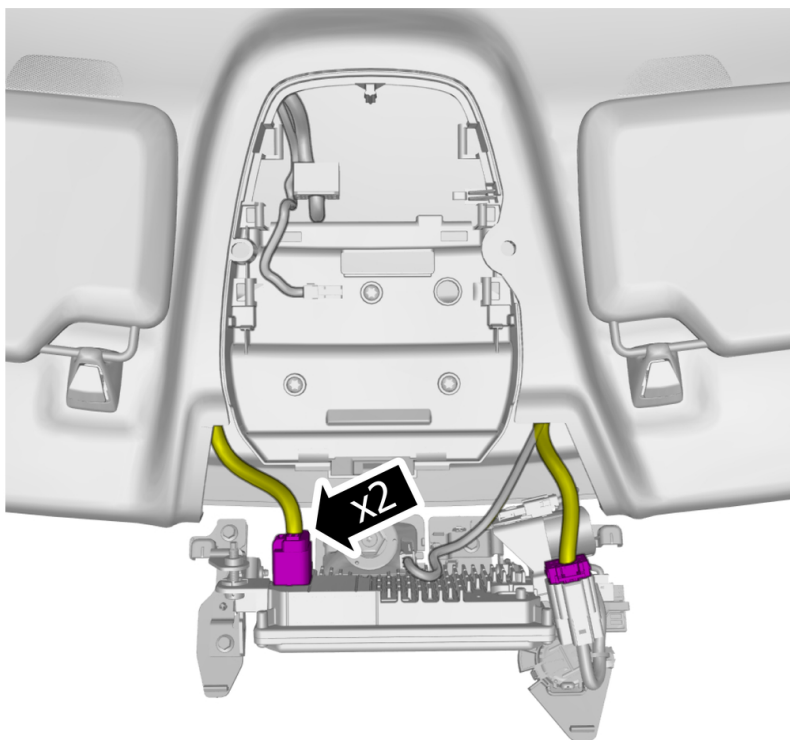
Remove the part carefully
Fold marked part to one side.
On both sides.

Remove panel A-pillar , refer to:
Removal, replacement and installation
8 - Body and interior
85 - Interior
851 - upholstery for wall/door, side, rear
shelf, luggage rack

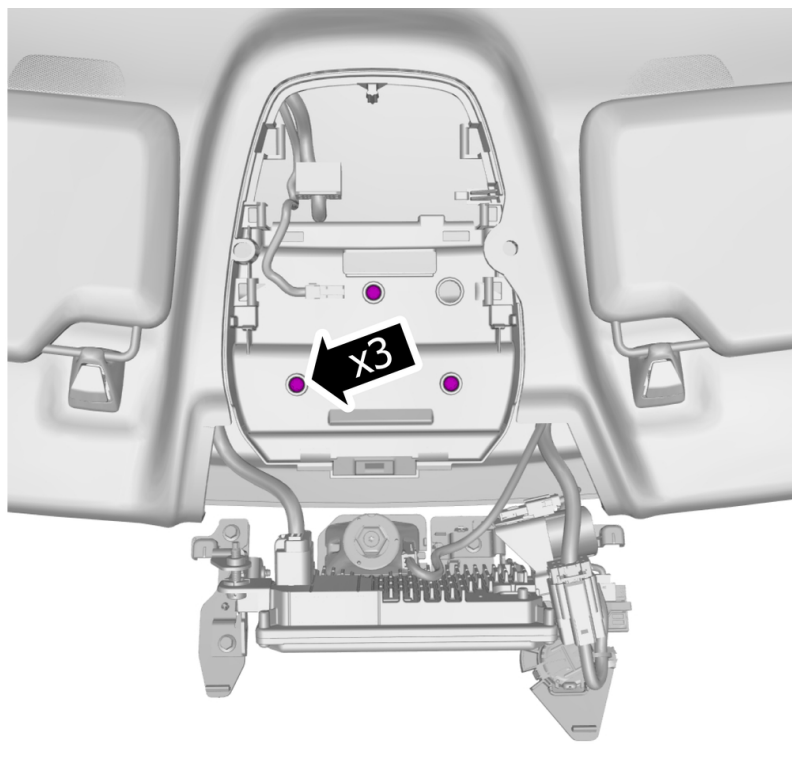


Loosen the wiring harness or move it to the side.
On both sides.

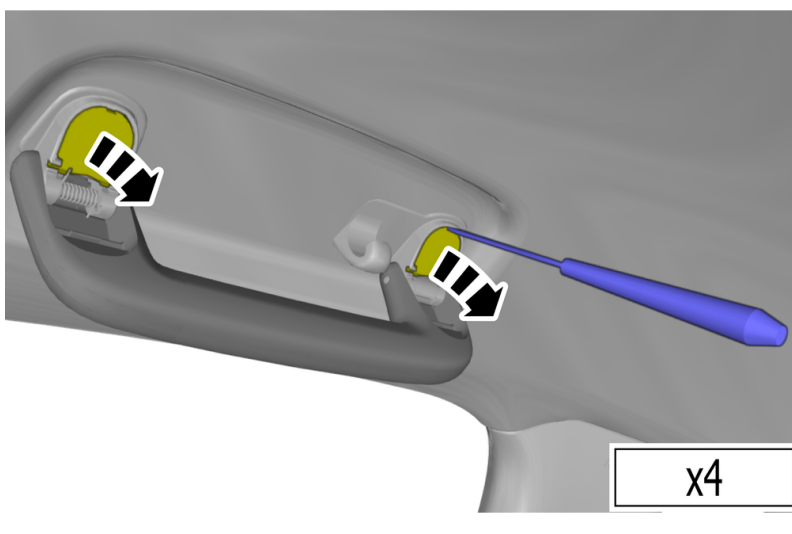
Remove rear-view mirror inside , refer to:
Removal, replacement and installation
8 - Body and interior
88 - Interior equipment
882 - interior equipment



Disconnect the connectors.

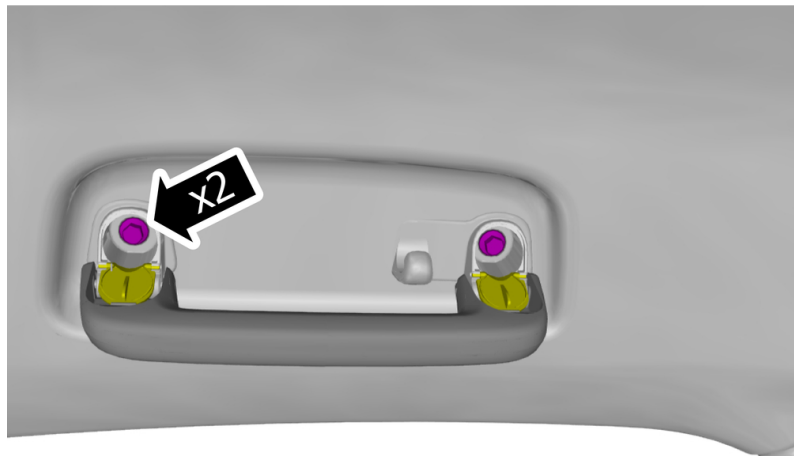


Remove the screws.



On both sides.

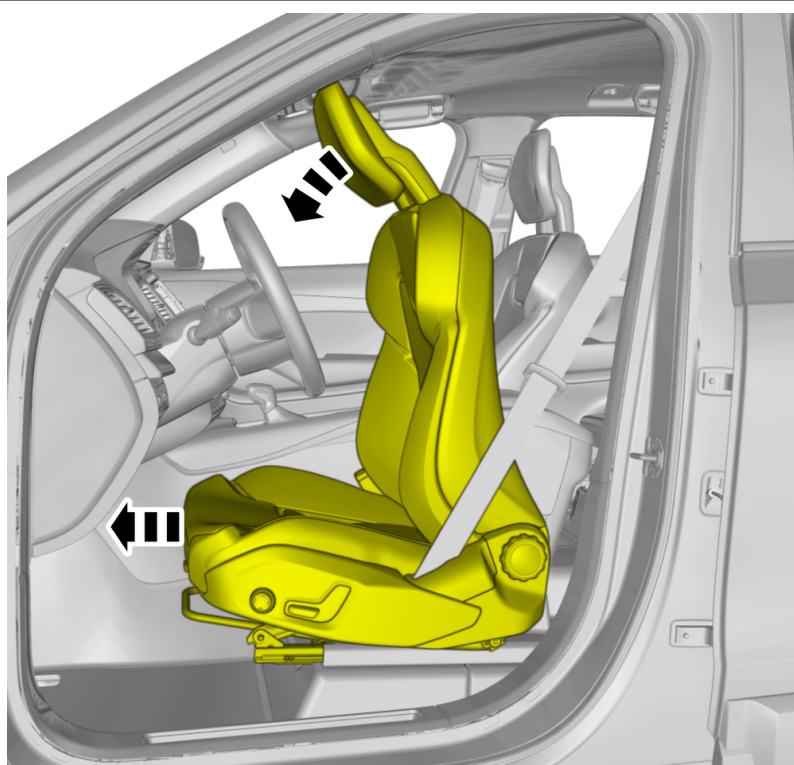
Use: Electrician's screwdriver



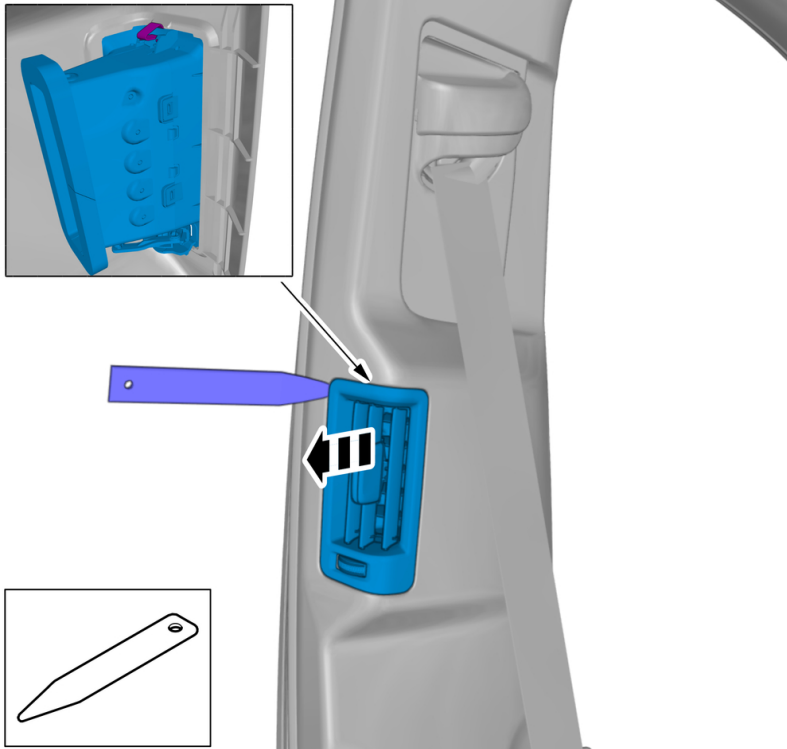
x4

Remove the screws.
On both sides.

Torque:
M6 , 10 Nm

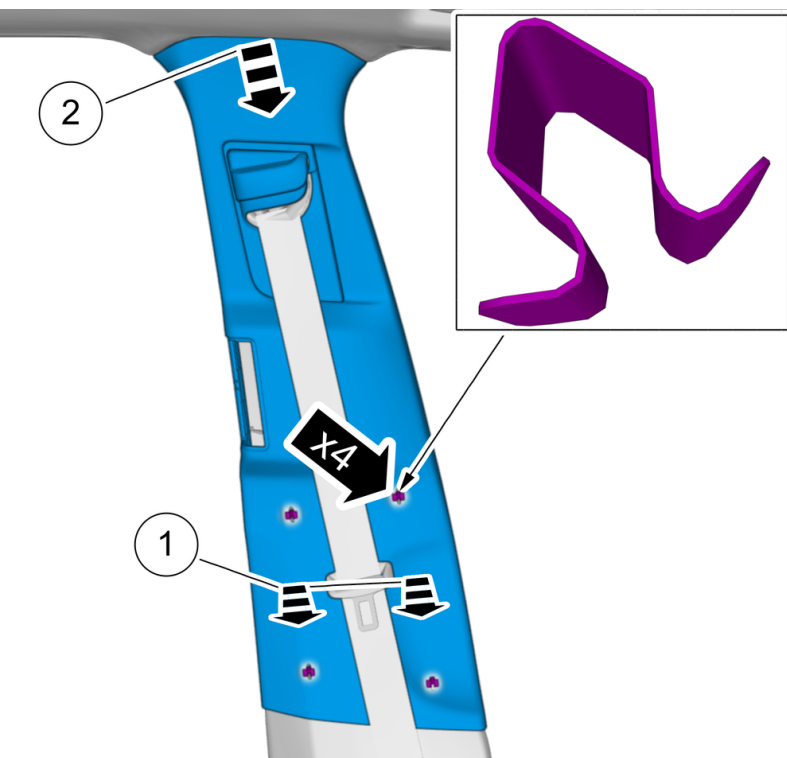


On both sides.

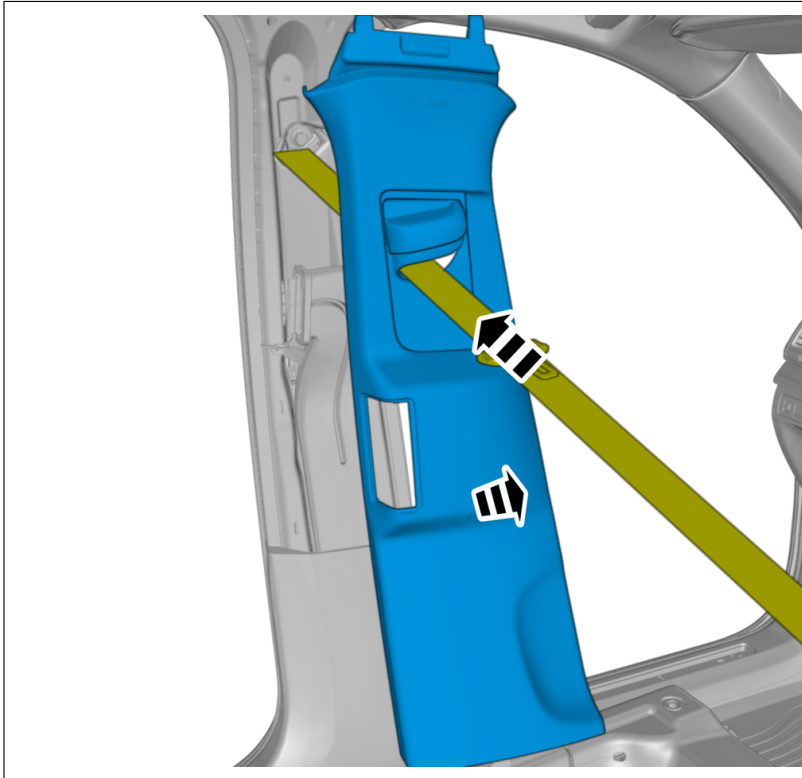


Remove the marked part.
On both sides.

Use: Interior trim remover



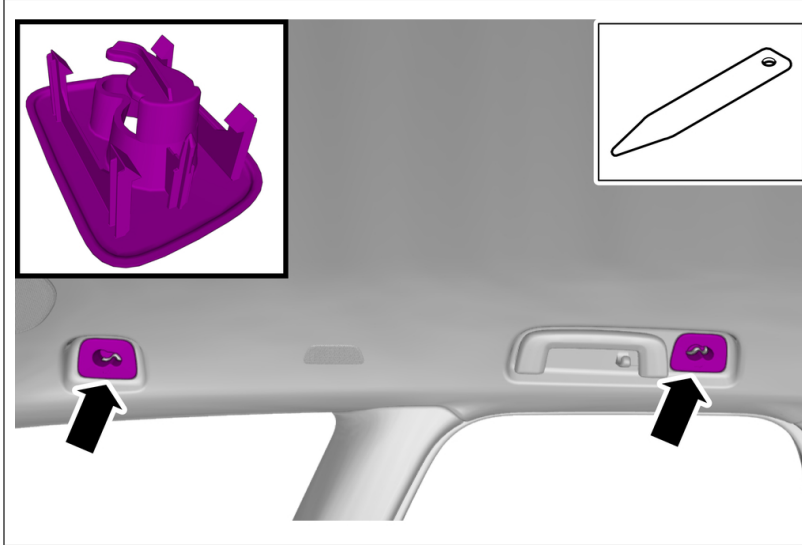
Remove the panel.
On both sides.



Fold marked part to one side.
On both sides.

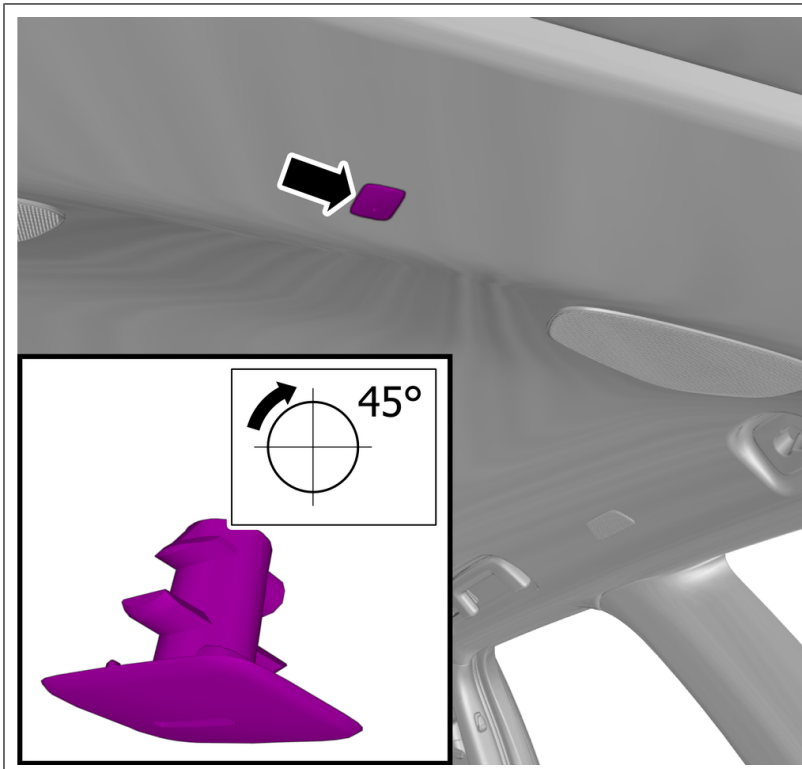
Remove the C-pillar trim panel , refer to:
Removal, replacement and installation
8 - Body and interior
85 - Interior
851 - upholstery for wall/door, side, rear
shelf, luggage rack

Remove the D-pillar trim panel , refer to:
Removal, replacement and installation
8 - Body and interior
85 - Interior
851 - upholstery for wall/door, side, rear
shelf, luggage rack

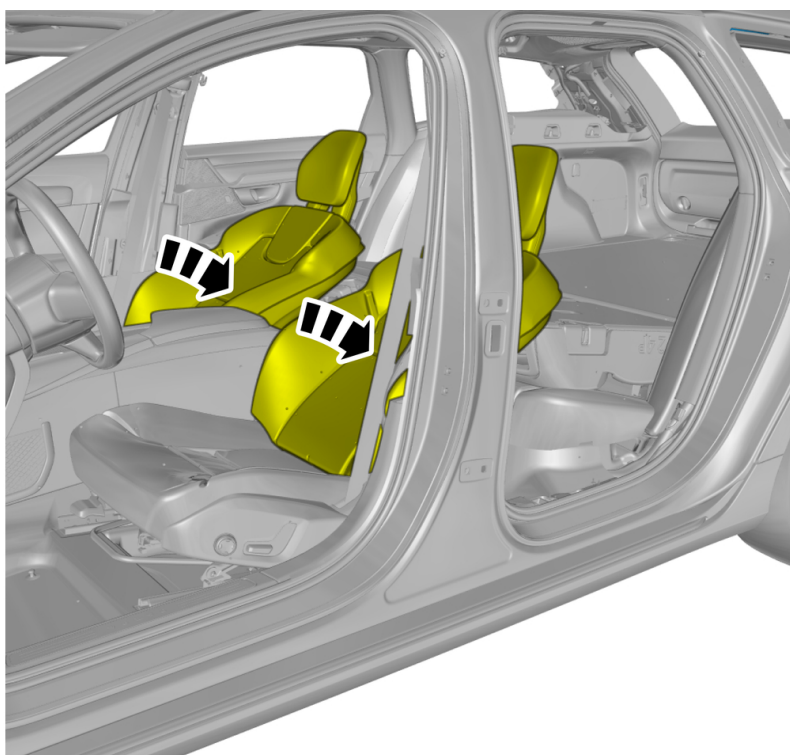
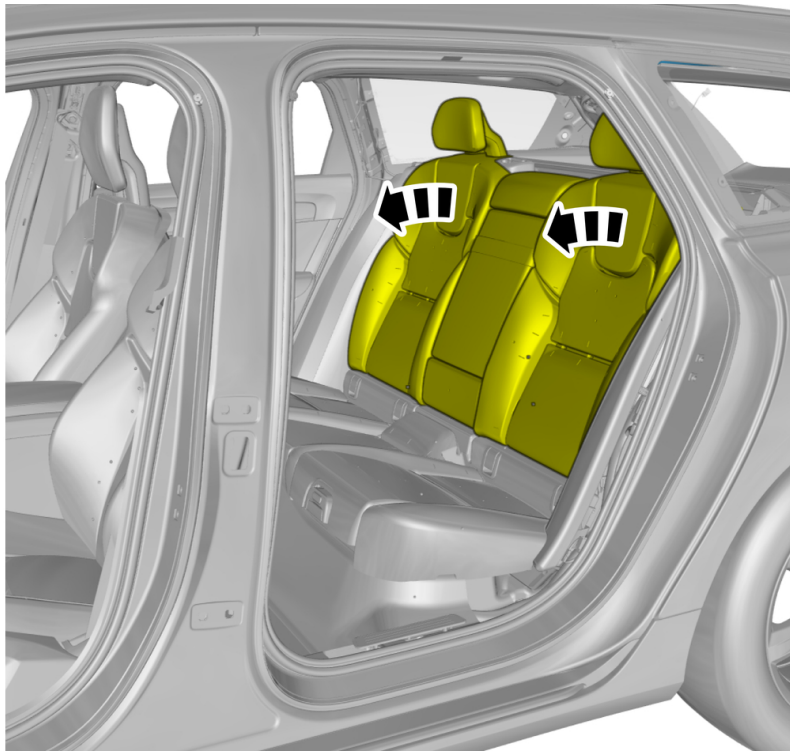


Remove the fasteners.
On both sides.

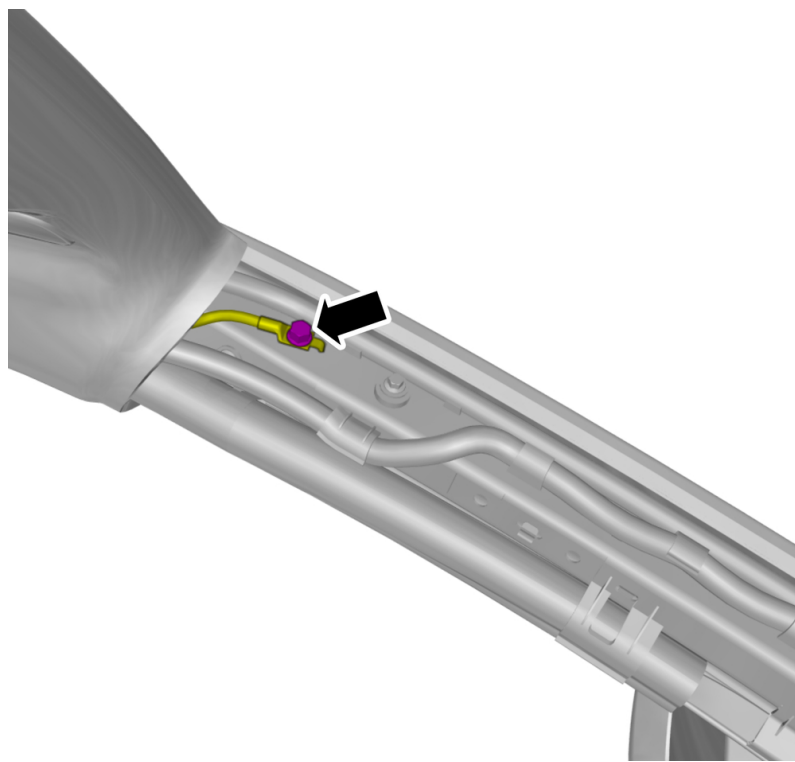
Use: Interior trim remover



Remove the fastener.



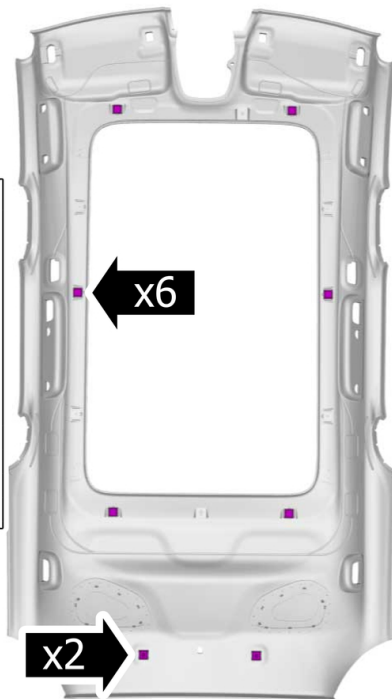
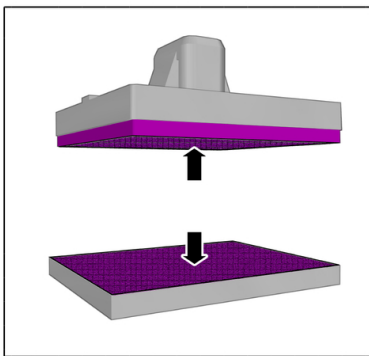
Vehicles with roof opening panel



Remove the screws.

Torque:

M6 , 10 Nm



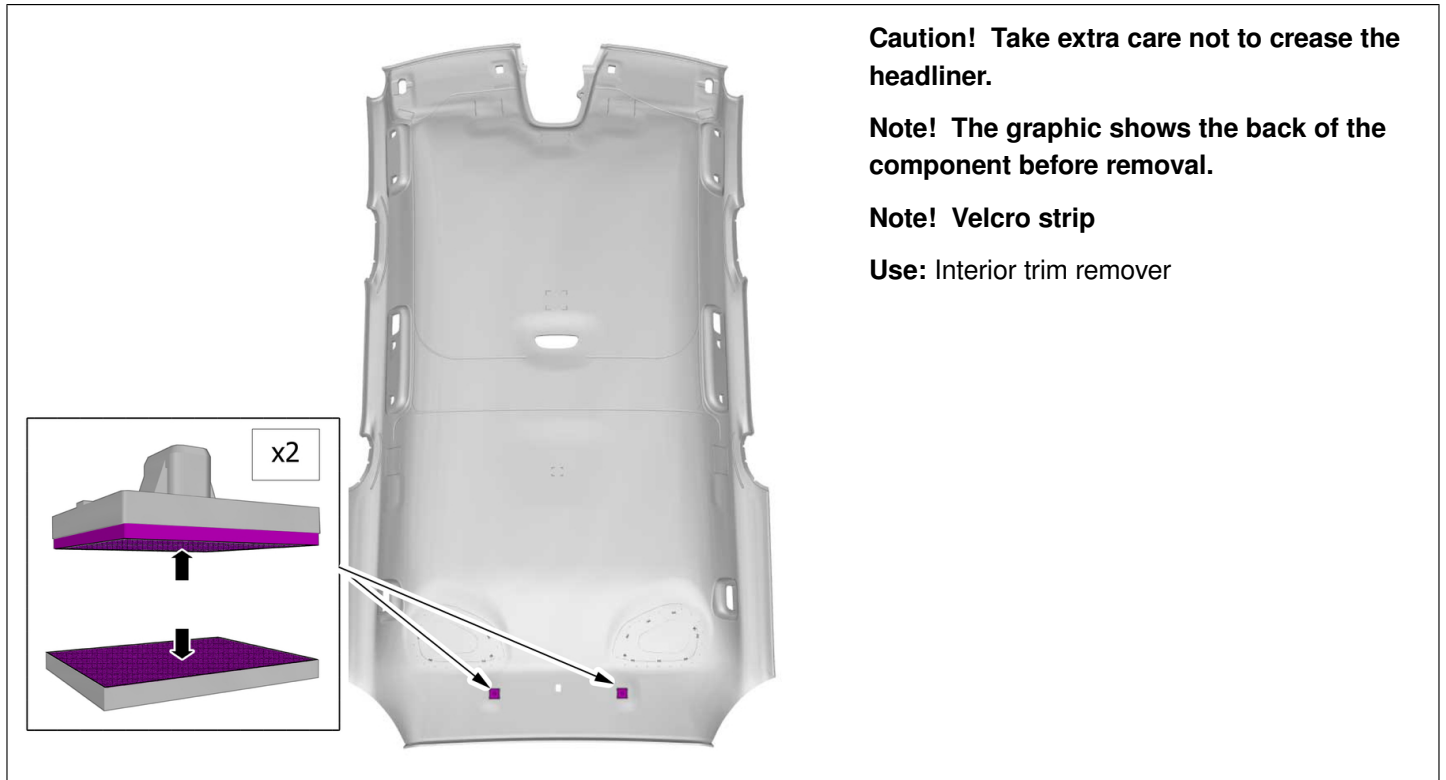
Caution! Take extra care not to crease the headliner.

Note! The graphic shows the back of the component before removal.

Note! Velcro strip

Use: Interior trim remover

Vehicles without roof opening panel



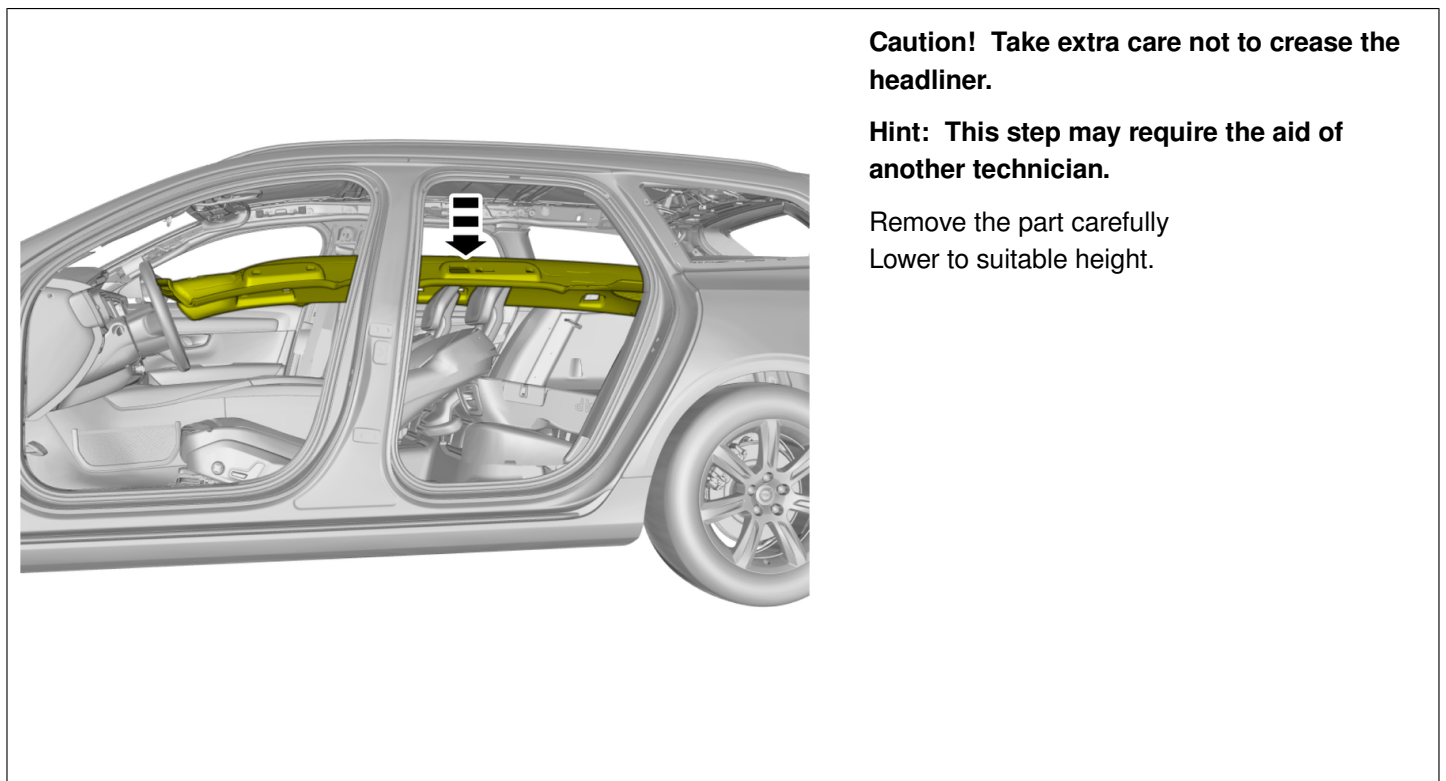
Caution! Take extra care not to crease the headliner.

Note! The graphic shows the back of the component before removal.

Note! Velcro strip

Use: Interior trim remover

All vehicles

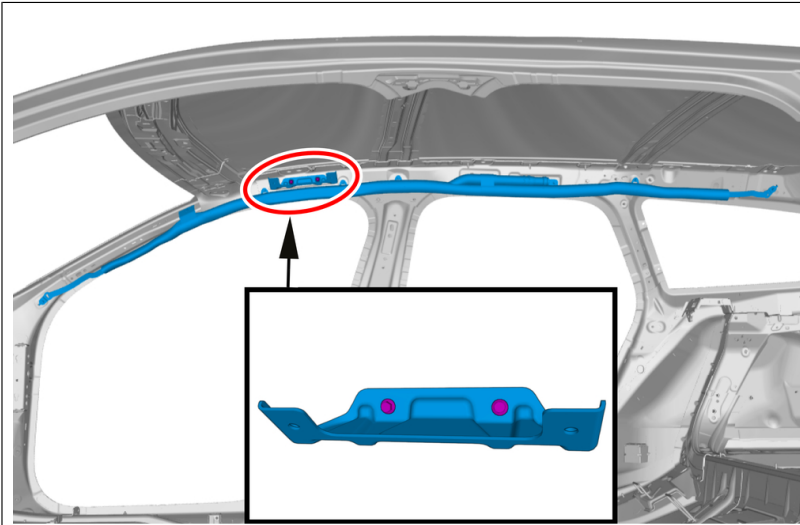


Caution! Take extra care not to crease the headliner.

Hint: This step may require the aid of another technician.

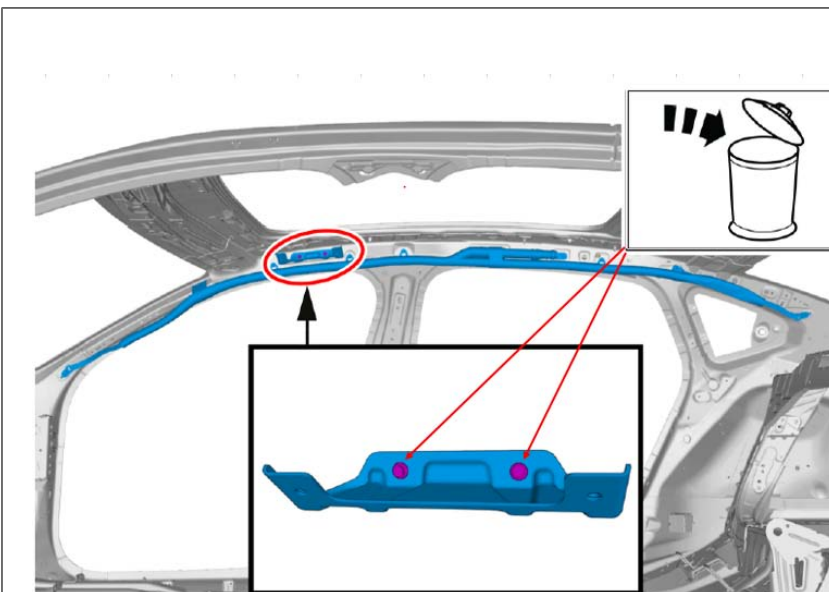
Remove the part carefully
Lower to suitable height.

Front Grab Handle Bracket Bolts Replacement



Note! Orientation view

On both sides.

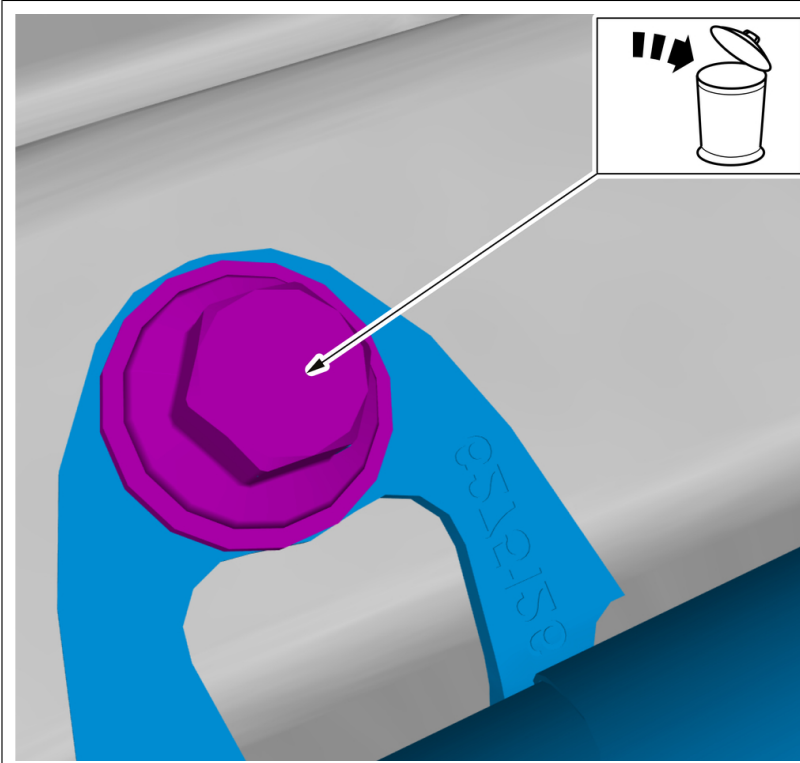
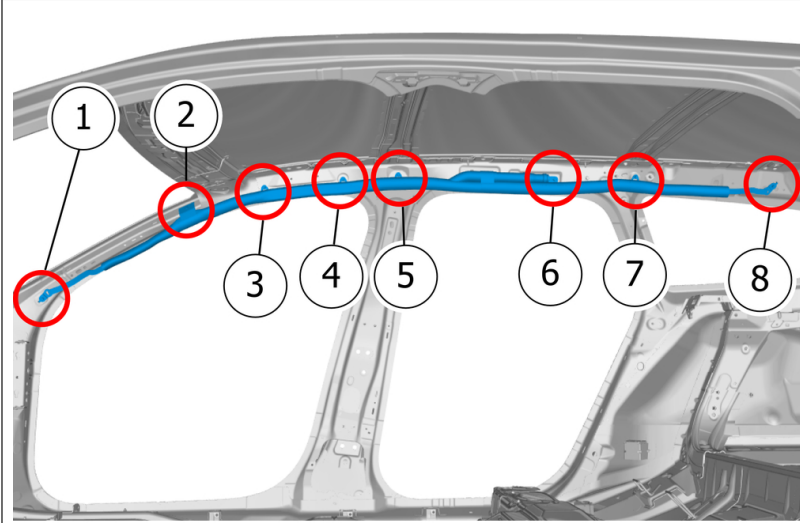


Remove and discard front grab handle bracket bolts.

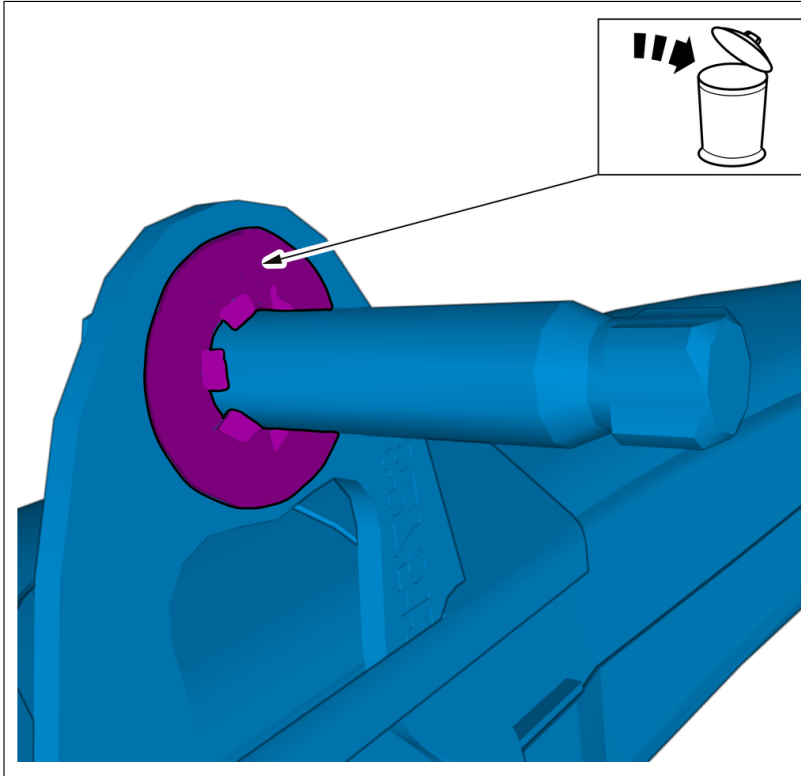
Note: Original bolt is assembled with a fastener clip and is not required to be reused.

**Install 4 new grab handle bracket bolts.
Torque to 6 Nm**

On both sides.

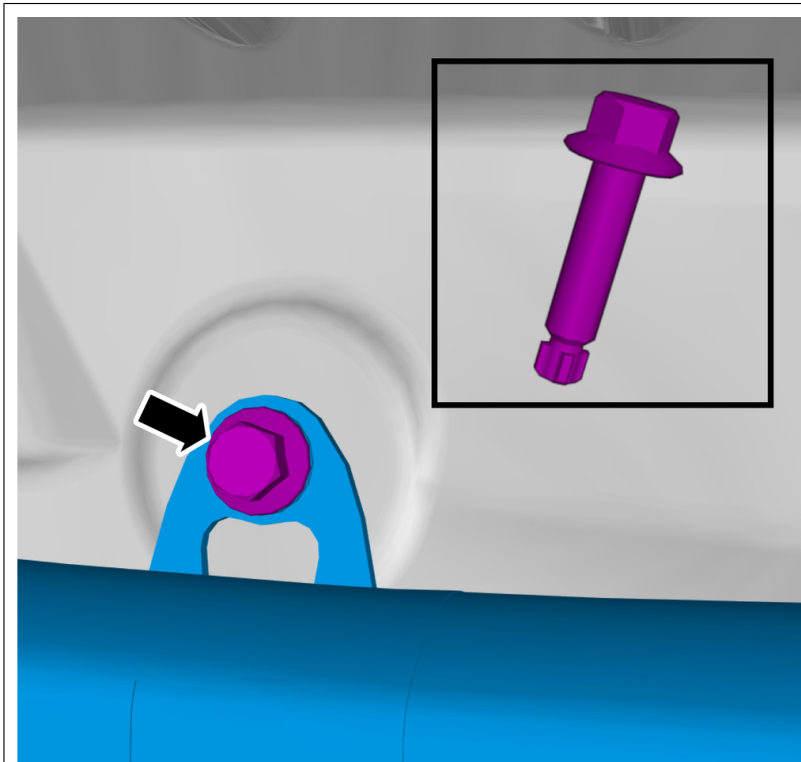


Remove and discard ALL Inflatable curtain bolts



Remove and discard fastener clip.

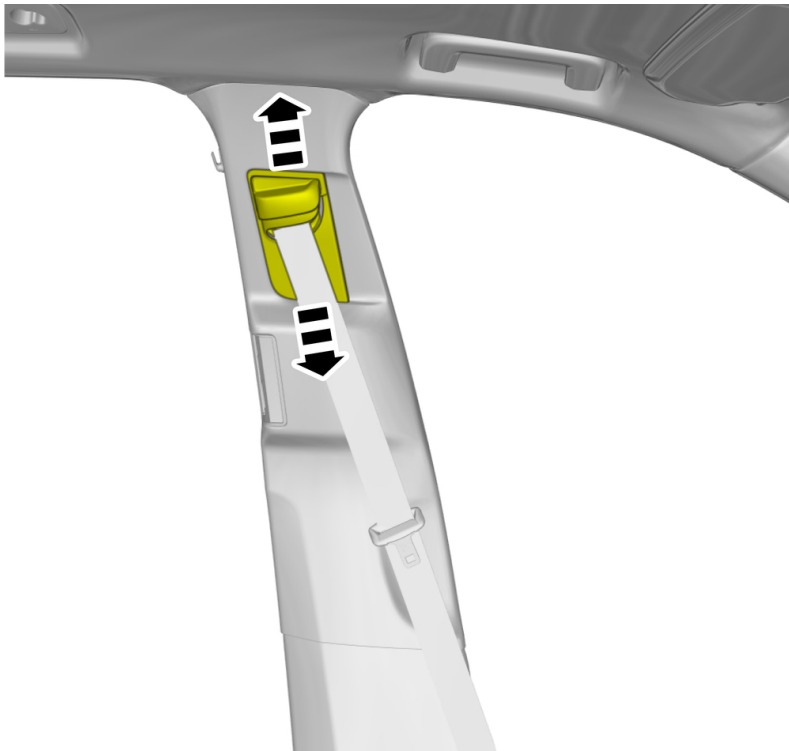
Installation



**Install 16 New Inflatable Curtain bolts.
Torque to 6 Nm**

Note: Original bolt is factory assembled with a fastener clip and is not required to be reused.

Note: If during the bolt removal process should any of the bolts break, please refer to TIE repair instructions.



Check for correct operation.
On both sides.