



Recall Campaign

NHTSA#: 17V-056

Job Code: 9901342

TC#: 2017-096

Flat Rate: 1 Hour

Date of Publication: February 2017

REQUIRES PARTS KIT

Action Required

Replace and Relocate the LP manifold and Hoses

Affected Units

2017 Eagle Fifth Wheels 360QBOK H1WJ0083-0107
w dry camp option

Parts Kit 17V-056

Note: Kit can only be ordered using the order form included with this bulletin.

LP Manifold w hoses
Manifold Bracket
2-1" Hex screws
2-2" Hex screws

Replace and Relocate LP Manifold and Hoses

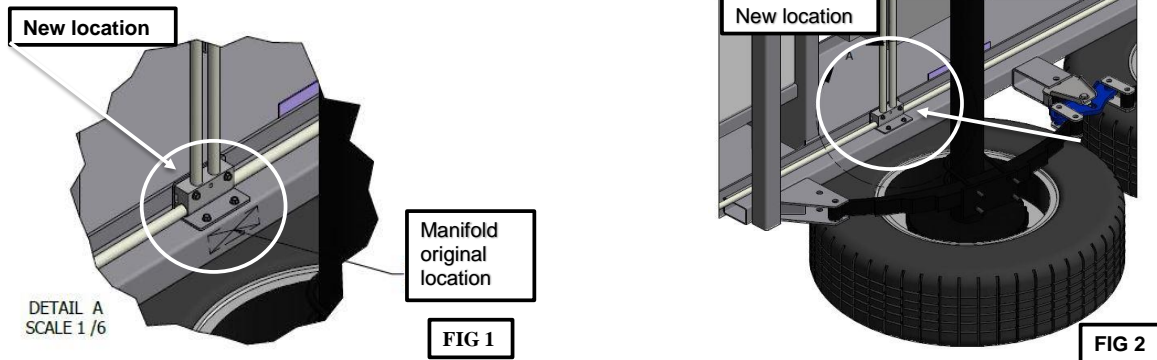


FIG 1 & 2 Remove the 2 bolts of the original manifold , remove manifold.

NOTE: Prior to removing the hoses - note where each are connected to the coach for proper install of the new hoses

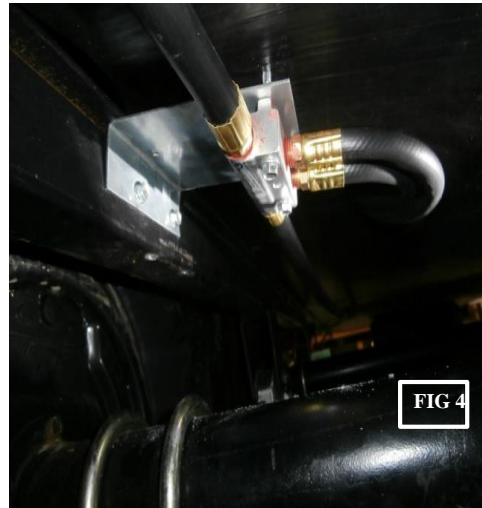
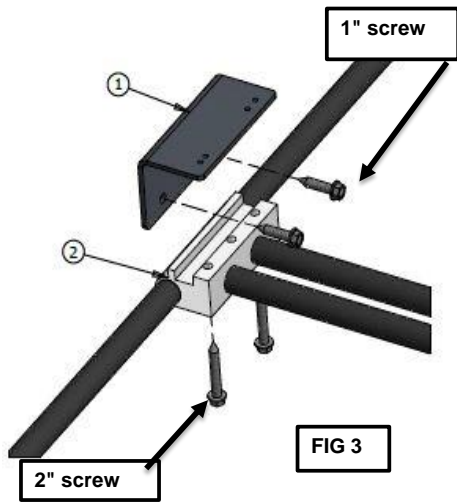


FIG 3: Attach new manifold to bracket with 2" screws.
Attach the bracket and manifold to the coach with 1" screws.(Correct Location noted in Fig 1)
Attach hoses to Manifold
Connect hoses as they were to coach
Perform LP Leak Test