

IMPORTANT UPDATE

TECHNICAL INSTRUCTIONS FOR SAFETY RECALL G0R FRONT PASSENGER AIRBAG INFLATOR MODULE CERTAIN 2008 - 2010 MY SCION xB

UPDATED 1-9-2018

Updated 1-9-18:

- Add 2010 MY

Updated 11-2-17:

- Add additional part options

Updated 8-31-17:

- Add 2009 MY

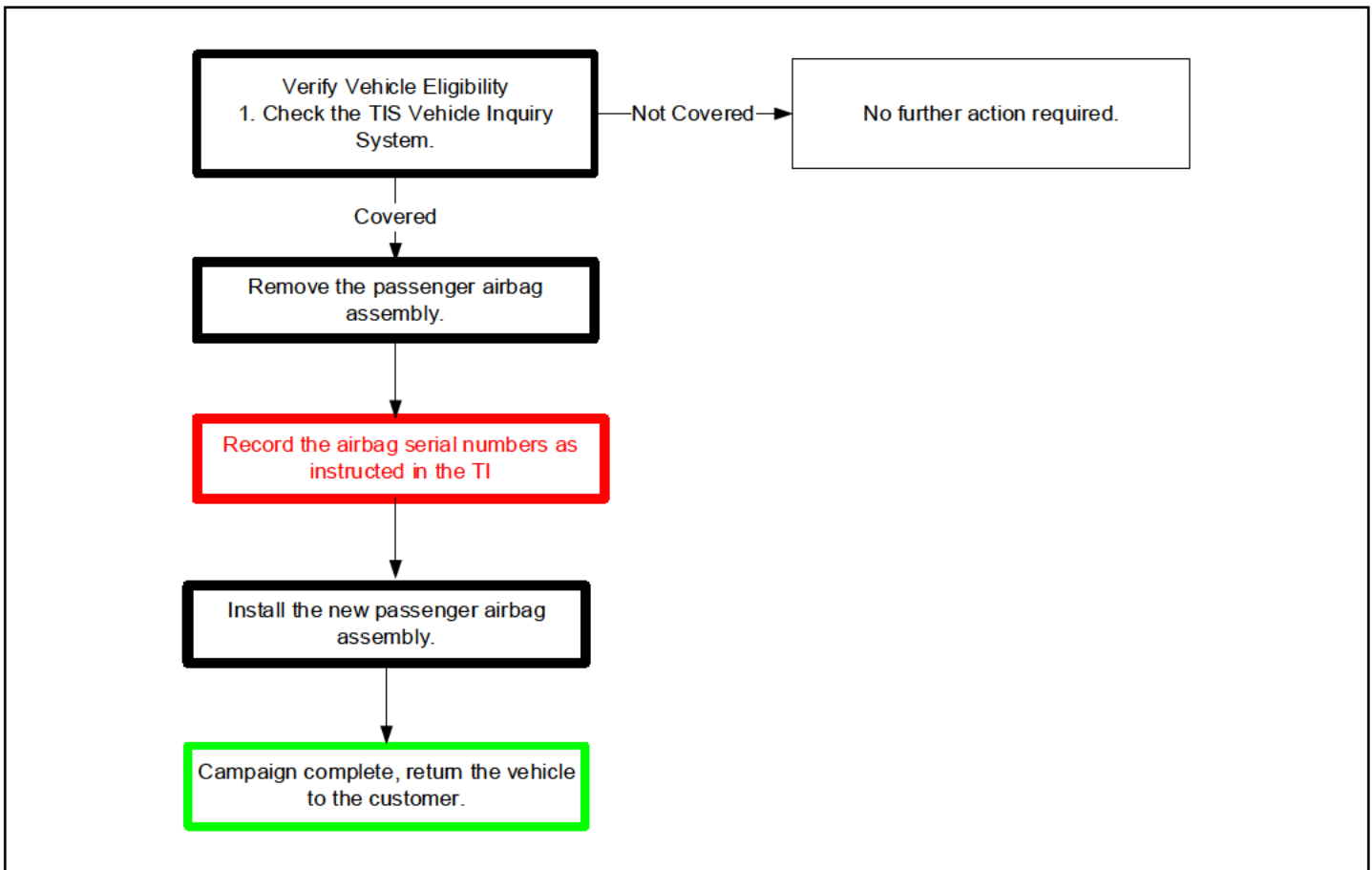
The repair quality of covered vehicles is extremely important to Toyota. All dealership technicians performing this repair are required to successfully complete the most current version of the E-Learning course "Safety Recall and Service Campaign Essentials". To ensure that all vehicles have the repair performed correctly; technicians performing this repair are required to currently hold at least one of the following certification levels:

- Toyota Expert (Electrical)
- Master
- Master Diagnostic Technicians

Always check which technicians can perform the recall remedy by logging on to <https://www.uotdealerreports.com>. It is the dealership's responsibility to select technicians with the above certification level or greater to perform this repair. Carefully review your resources, the technician skill level, and ability before assigning technicians to this repair. It is important to consider technician days off and vacation schedules to ensure there are properly trained technicians available to perform this repair at all times.

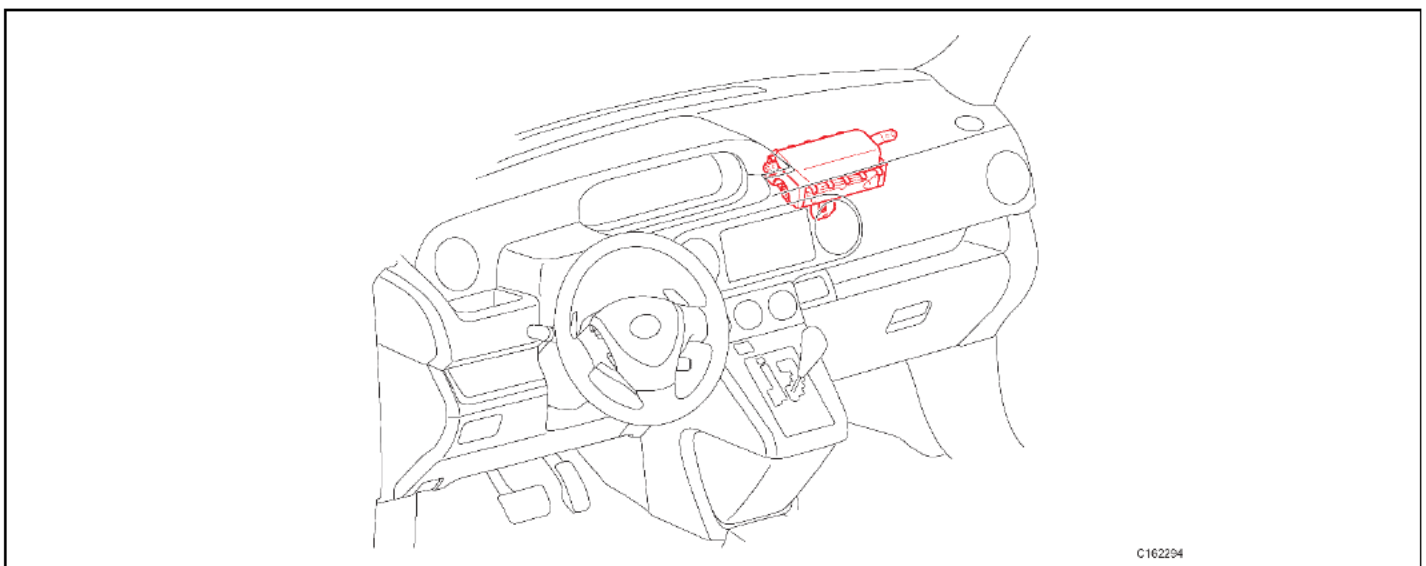
I. OPERATION FLOW CHART

The flow chart is for reference only. **DO NOT** use it in place of the full technical instructions. Follow **ALL** steps as outlined in the full technical instructions to confirm the campaign is completed correctly.



II. BACKGROUND

The subject vehicles are equipped with front passenger airbag inflators produced by Takata. According to Takata, the propellant in these inflators may degrade after prolonged exposure to high absolute humidity and fluctuating high temperatures. Degraded propellant can cause inflator rupture during airbag deployment. In the event of an inflator rupture, metal fragments could pass through the airbag cushion material, striking the vehicle occupants, and result in serious injury or death.



III. IDENTIFICATION OF AFFECTED VEHICLES

- Check the TIS Vehicle Inquiry System to confirm the VIN is involved in this Safety Recall, and that the campaign has not already been completed prior to dealer shipment or by another dealer.
- **TMS warranty will not reimburse dealers for repairs conducted on vehicles that are not affected or were completed by another dealer.**

IV. PREPARATION

A. PARTS

Model	Part Number	Part Description	Quantity
Scion xB	04006-49312	Instrument Panel Airbag Module	1
	04006-66108	Clip Kit*	1
* The kit above includes the following parts.			
	Part Number	Part Description	Quantity
		Front Pillar Garnish Clip	2

OR

Part Number	Part Description	Quantity	
04007-06812	Instrument Panel Airbag Inflator Kit* (Instructions for this part are in the inflator replacement TI)	1	
* The kit above includes the following parts.			
	Part Number	Part Description	Quantity
	-	Inflator	1
	-	Self-locking Nut	5
	-	Position Determining Plate	1

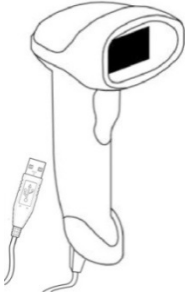
Part Number	Part Description	Quantity	
04006-66112	Clip Kit*	1	
* The kit above includes the following parts.			
	Part Number	Part Description	Quantity
	-	Front Pillar Garnish Clip	2

IF USING THE PART MENTIONED ABOVE, FOLLOW THE INSTRUCTIONS IN THE INFLATOR REPLACEMENT TI

A. TOOLS & EQUIPMENT

- Standard hand tools
- Torque wrench
- Techstream
- Molding remover set

G0P/G0R/H0A CAMPAIGN TOOLS – These tools were previously provided to the dealership for campaign F0J and will be used for this campaign. These tools are required when performing this repair.

Image	Name	Quantity
	Barcode Scanner (The scanner distributed for F0J can read bar and QR codes)	1

NOTE: This tool CANNOT be ordered through the parts or tools system. If additional tools are needed, they can be sourced locally.

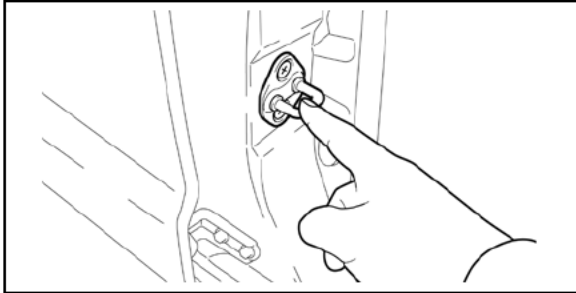
V. SAFETY PRECAUTIONS



CRITICAL INFORMATION – READ THOROUGHLY



Failure to follow these procedures correctly could cause the SRS to unexpectedly deploy during servicing or the SRS may fail to operate correctly when required after reassembly. Confirm all work is performed as described in these instructions.



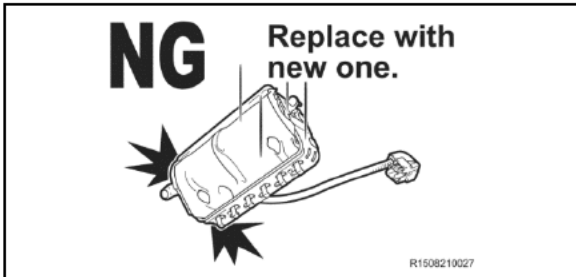
1. ELIMINATE STATIC ELECTRICITY

- a) Before starting work and periodically while working on the vehicle, touch a metallic part of the vehicle to discharge static electricity in the body.



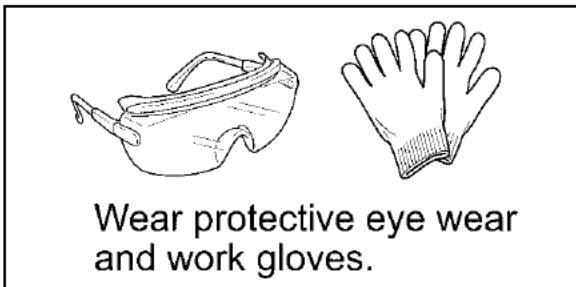
2. DO NOT MEASURE RESISTANCE

- a) **DO NOT** measure resistance of airbag components, this may cause accidental activation.



3. HANDLE THE AIRBAG CAREFULLY

- a) If an airbag is dropped, replace it with a **NEW** one.

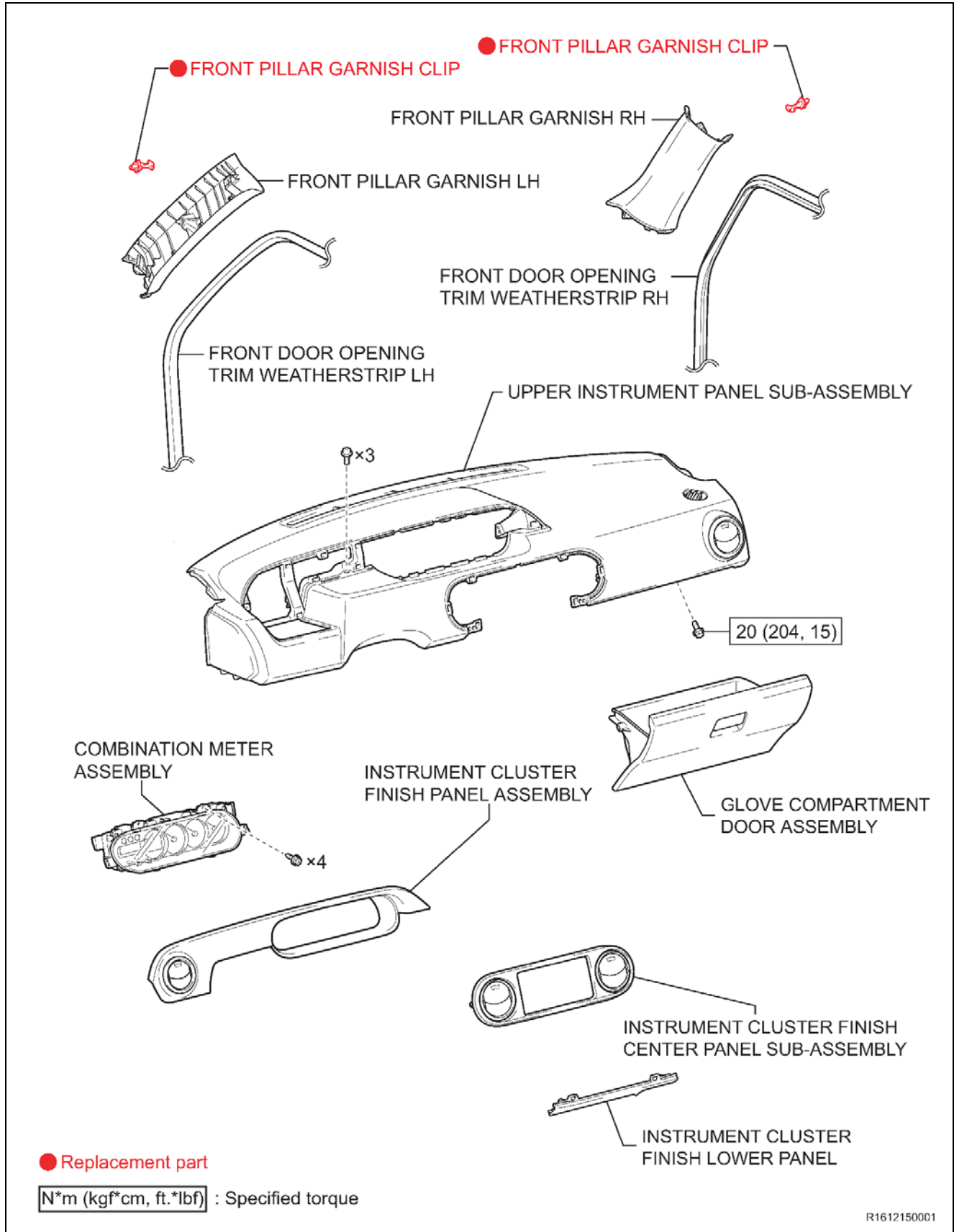


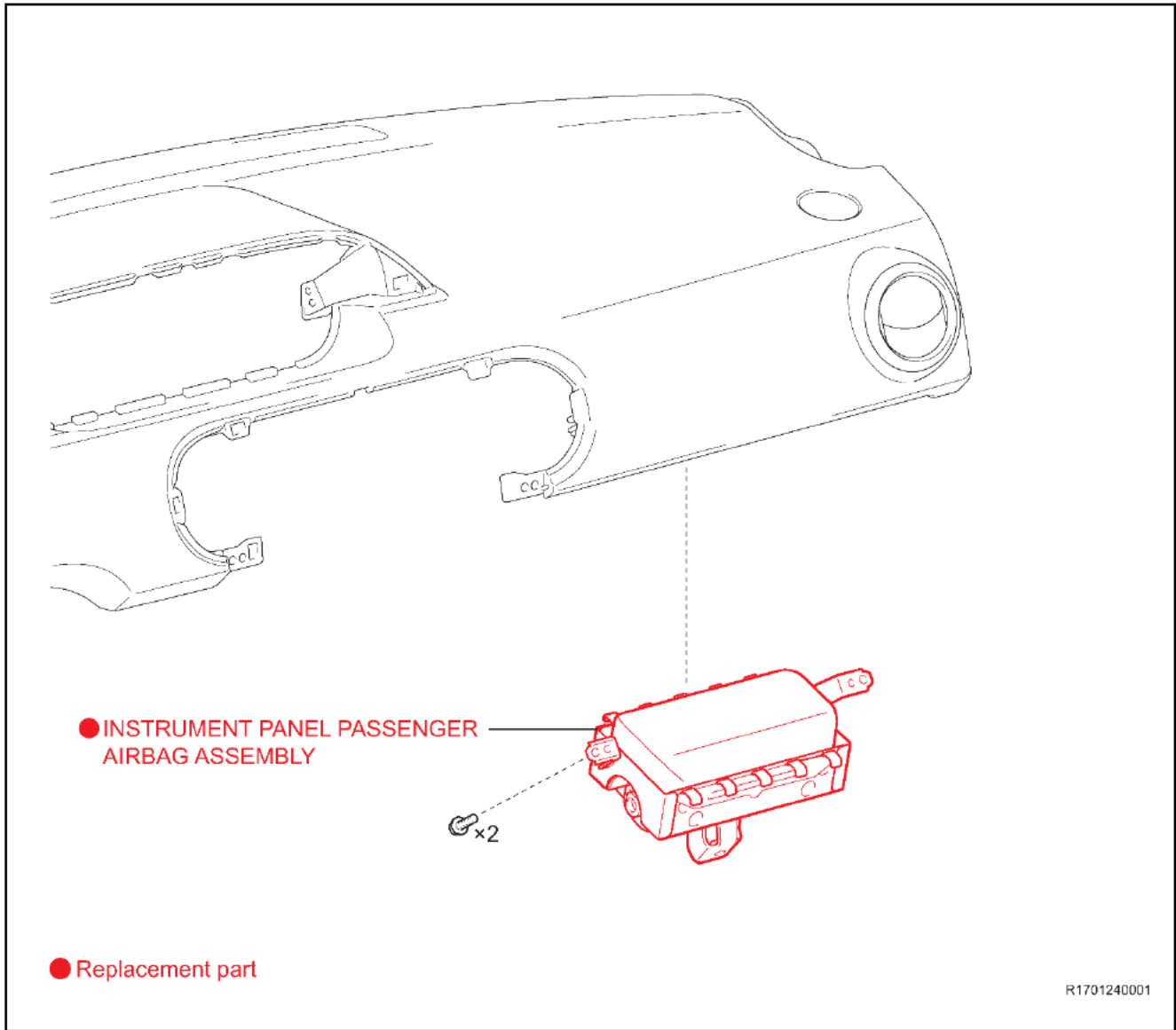
4. WEAR PROTECTIVE EQUIPMENT

- a) Always wear appropriate protective equipment when working on the SRS.

VII. PASSENGER AIRBAG MODULE REPLACEMENT

COMPONENTS





1. REMOVE THE AIRBAG MODULE

a) Refer to TIS for instructions on airbag removal:

[2008MY](#) [2009 MY](#) [2010 MY](#)



- Wait at least 90 seconds after disconnecting the cable from the negative battery terminal to prevent airbag and seat belt pre-tensioner deployment.
- Follow all precautions as outlined on TIS before servicing the SRS system.

3. CONNECT THE BARCODE SCANNER

- a) Connect the barcode scanner to the USB port on the Techstream.
- b) The scanner will automatically connect and a beep will be heard when the scanner is ready.

NOTE:

- The scanner was provided for SSC F0J.
- The scanner works best in low light conditions.
- Always hold the scanner directly in front of and parallel to the barcode label.

4. SCAN THE AIRBAG SERIAL NUMBER

- a) Scan the **AIRBAG ASSEMBLY** serial number 2 times.
 - 1) Confirm that the cursor is in the first serial number box then scan the bar code.
 - 2) Position the cursor in the second serial number box and rescan the bar code.
- b) Click next.

NOTE:

- If both the serial numbers do not match, confirm and reenter.
- If the serial number barcode will not scan, it can be entered manually.

AIRBAG SERIAL NUMBER IDENTIFICATION

- The airbag serial number is **ALWAYS** the 12 **DIGITS** located between the asterisks.
- The 3 digits before the asterisk **ARE NOT** part of the serial number, and **SHOULD NOT** be entered or an inaccurate response may be returned.

Airbag Serial Number Label Example



The **AIRBAG** serial number **MUST** be recorded prior to replacement.

Front Passenger Airbag Inflator Module - Safety Recall
SSC - E04

User ID: Technician Name:
Dealer Code: Dealer Name:
Time: 03/30/2015 05:15 AM PDT VIN: 1NK BR32E 1004 Corolla SUPER WHITE]

How to Identify an Airbag module Assembly number?
The Airbag module Assembly serial number is a 12 digit code. It can be found along with a bar code on opening the Airbag assembly unit. To manually enter these details into the application, the technician has to identify the 12 digit code between two Asterisks (*) inside the Airbag assembly unit. The first seven characters of this 12 digit code are numbers and the 10th digit is either 'K' or 'L' always.

Original Airbag Module - 12 Digits Between the asterisk (*) symbols

Record Airbag Serial Number

Use of a barcode scanner is strongly recommended when entering Airbag Assembly Serial Number.
If manually typing serial number, you MUST include all leading zeros. (If applicable)

* Airbag Assembly Serial Number:
* Reconfirm Airbag Assembly Serial Number:

If original Airbag Assembly serial number is not visible or missing, check this box:

(*) - Indicates Required Field(s)

Click Next

- c) Check the box that states that the inflator serial number is not visible or missing.
(DO NOT SCAN THE INFLATORS)
 (this will allow the program to advance to the next screen)

T3: - Google Chrome
 t3qa.tms.toyota.com/t3Portal/portlets/tis/airBag/AirBagController.portlet?...
Front Passenger Airbag Inflator Module - Safety Recall
 SSC - E04

User ID: _____ Technician Name: (1) (2) (3) (4) (5)
 Dealer Code: _____ Dealer Name: _____
 Time: 03/30/2015 05:17 AM PDT VIN: 1NX BR32E [2004 Corolla SUPER WHITE] Airbag Serial #: *****12

Original Inflator **Replacement Inflator**

How to Identify the Inflator serial code on the Original and Replacement Inflator can?
 The Inflator serial code is an 11 digit code on the Inflator can. It can be found with a bar code on removing the Inflator can from the Airbag Assembly unit.
 The first two characters of the Original Inflator Serial code will be from [AA, AB, AJ, FD or JD].
 The first two characters of the Replacement Inflator Serial code will be either 'LT' or 'LR'.

Inflator Module replacement IS REQUIRED on all vehicles under the Safety Recall. Follow the technical instructions and acknowledge the following statements.
If manually typing serial number, you MUST include all leading zeros. (N/A applicable)

Original Inflator Serial #:
 If old inflator serial number is not visible or missing, check this box
 * Replacement Inflator Serial #:

If you have a concern with the inflator serial numbers, please email quality_compliance@toyota.com with details.

I agree to complete the safety recall's remaining technical instructions.
 I agree to perform a vehicle Health Check with Techstream upon completion of the safety recall's technical instructions.

(*) - Indicates Required Field(s) Back Clear

NOTE: The NEW AIRBAG serial number MUST be scanned prior to reinstallation to track the airbag to the vehicle (refer to page 11).

- d) Click submit.

AIRBAG SERIAL NUMBER IS MISSING OR IS UNREADABLE



If the airbag serial number and barcode are not legible or are not present, check the box in the application indicating the serial number is not legible.

a) If the airbag serial number cannot be scanned or is not present check the box as shown below.

Google Chrome

t3qa.tms.toyota.com/t3Portal/portlets/tis/airBag/AirBagController.portlet?..._nfpb=true&_windowLabel=StandalonePortlet&StandalonePortlet_actionOverride=%2Fportlets%2Ftis%2F

Front Passenger Airbag Inflator Module - Safety Recall

SSC - E04

1 2 3 4 5

User ID: _____ Technician Name: _____
Dealer Code: _____ Dealer Name: _____

Time: 03/30/2015 05:15 AM PDT VIN: 1NX BR32E 2004 Corolla SUPER WHITE]

Original Airbag Module - 12 Digits
Between the asterisk (*) symbols

Record Airbag Serial Number

How to Identify an Airbag module Assembly number?

The Airbag module Assembly serial number is a 12 digit code. It can be found along with a bar code on opening the Airbag assembly unit. To manually enter these details into the application, the technician has to identify the 12 digit code between two Asterisks (*) inside the Airbag assembly unit. The first seven characters of this 12 digit code are numbers and the 10th digit is either 'K' or 'L' always.

Use of a barcode scanner is strongly recommended when entering Airbag Assembly Serial Number.

If manually typing serial number, you MUST include all leading zeros. (If applicable)

* Airbag Assembly Serial Number:
* Reconfirm Airbag Assembly Serial Number:

If original Airbag Assembly serial number is not visible or missing, check this box

Clear Next

(*) - Indicates Required Field(s)

Check this box if the label is damaged or missing

b) Go to Page 11 to continue airbag scanning.

VIII. FRONT PASSENGER AIRBAG REINSTALLATION

1. INSTALL THE NEW AIRBAG

- a) Refer to TIS for instructions on airbag installation:

[2008 MY](#) [2009 MY](#) [2010 MY](#)

2. RECONNECT THE NEGATIVE BATTERY CABLE

- a) Reconnect the negative battery cable.
b) Perform any needed system initializations.

3. PREFORM ANY NEEDED VEHICLE INITIALIZATIONS

4. PERFORM A HEALTH CHECK AND DIAGNOSTIC REPORT

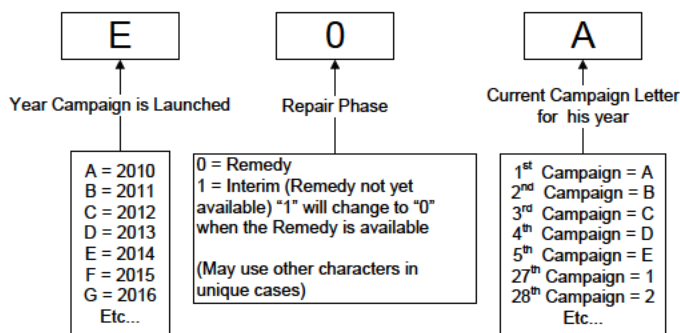
◀ VERIFY REPAIR QUALITY ▶

- Confirm all precautions are followed to ensure safety during the repair
- Confirm the entire serial number checker application is completed and the warranty authorization # is recorded on **EVERY** vehicle
- Confirm the old module is handled safely and given to the appropriate parts professional for shipment

If you have any questions regarding this update, please contact your regional representative.

IX APPENDIX

A. CAMPAIGN DESIGNATION DECODER



Examples:

A0D = Launched in 2010, Remedy Phase, 4th Campaign Launched in 2010

B1E = Launched in 2011, Interim Phase, 5th Campaign Launched in 2011

C1C = Launched in 2012, Interim Phase, 3rd Campaign Launched in 2012

B. CAMPAIGN PARTS DISPOSAL

ALL inflators that are removed from vehicles under this campaign **MUST** be packaged and shipped back to the inflator manufacturer following the manufacturer's instructions. The instructions can be found in the following locations:

- Attached to the dealer letter
- Included in the parts box