



BLUE BIRD

FINAL NOTICE

DATE: OCTOBER 19, 2016
TO: BLUE BIRD OWNERS
SUBJECT: RECALL R16YM – REAR SEAT LEG NONCOMPLIANCE

According to our records, we have not received confirmation that the above referenced recall dated April 19, 2016, has been completed. A copy of Recall R16YM is attached.

Your buses affected by Recall R16YM are identified by Blue Bird body number and VIN under Section 2 on the enclosed cover sheet.

If this is the first time you received notification of Recall R16YM, please read the enclosed notification carefully and follow the instructions provided. Recall R16YM must be completed, as soon as possible.

If you have already had R16YM performed on your affected buses, please complete and mail the enclosed recall reply sheet to us in the enclosed postage paid pink reply envelope so we may update our recall records. Be sure the reply sheet is filled out properly.

Questions regarding this recall campaign should be directed to me at (478) 822-2242 or lisa.hancock@blue-bird.com.

Thank you for your prompt attention to this matter.

Sincerely,

Lisa Hancock
Corporate Recall Administrator
Blue Bird Body Company



R16YM

IMPORTANT SAFETY RECALL NOTICE

NHTSA Recall Number: 16V-172 School Bus

April 19, 2016

Dear Blue Bird Owner:

Subject: RECALL R16YM, Rear Seat Leg Noncompliance

This important safety recall notice applies to your bus(es) identified by both Blue Bird Body Number and Vehicle Identification Number (VIN) on the enclosed yellow cover sheet.

This notice is sent to you in accordance with the requirements of the National Traffic and Motor Vehicle Safety Act.

Blue Bird Body Company is recalling certain model year 2011 through 2017 All American Rear Engine School Buses manufactured from August 20, 2010, through December 16, 2015. Buses with rear side emergency doors have seats over the wheelhouse area whose rear legs may detach from the floor in a crash, resulting in belted occupants traveling forward. As such, these vehicles fail to conform to the requirements of Federal Motor Vehicle Safety Standard (FMVSS) Number 210, "Seat Belt Assembly Anchorages." If the seat does not allow the occupant to be properly restrained in the event of a crash, they would be at an increased risk of injury.

Buses with this non-compliance must be corrected immediately according to the enclosed instructions for Recall R16YM. To correct this noncompliance, replace the rear leg with a compliant leg. Parts are currently available, at no cost to you.

Your Blue Bird bus(es) affected by this recall are identified by both Blue Bird Body Number(s) and Vehicle Identification Number(s) (VIN) on the enclosed yellow reply sheets. If you no longer own the subject bus(es), please complete the appropriate section of the yellow reply sheet and return to Blue Bird in the enclosed pink postage prepaid envelope.

Blue Bird recommends that you contact your local or nearest Blue Bird Dealer to arrange for this recall to be performed. The Dealer can perform the repairs, or arrange for repairs to be performed by a service repair facility authorized by the Dealer. However, you may elect to perform this recall yourself or pay another independent repair facility to perform this recall. A qualified technician should perform this recall.

If you elect to perform this recall yourself or pay another independent repair facility to perform this recall, complete and submit the Pink Owner's Recall Reply Sheet provided. The Reply Sheet includes a section for the owner to request reimbursement of the owner's labor or to request reimbursement for a labor invoice paid by the owner to an independent repair facility.

BLUE BIRD BODY COMPANY
P.O. Box 937 – 402 Blue Bird Blvd – Fort Valley, Georgia – (478) 825-2021



BLUE BIRD

Blue Bird Body Company

Page 2

R16YM

Of course, if your Blue Bird Dealer performs the recall or arranged for repairs to be performed by a service facility authorized by the Dealer, the Blue Bird Dealer will notify Blue Bird about the completion of the recall.

Parts to complete Recall R16YM must be obtained from Blue Bird Recall Administration via e-mail at campaignparts@blue-bird.com . Parts are currently available. Owners are being advised to contact their local dealer or to return the yellow coversheet to Blue Bird in the pink, self-addressed, postage prepaid envelope. Be sure to provide a valid shipping address as UPS does not deliver to post office boxes. You should retain a copy of the reply sheet for your records.

Labor Times:

- Labor time to replace the rear leg with a compliant leg on the seat in front of the rear side emergency door is 0.3 hour (18 minutes).

If the modifications directed by this notification were performed on your bus prior to the receipt of this recall notification, attach a copy of the work order/invoice. Mail the documents in the **pink** self-addressed postage prepaid envelope included with the pink coversheet to Blue Bird for warranty consideration. Reimbursements will be made in accordance with the requirements of the National Highway Transportation Safety Act, Title 49 Code of Federal Regulations, Parts 573 and 577.

Federal law requires that any vehicle lessor receiving this recall notice must forward a copy of this notice to the lessee within ten days.

If Blue Bird Body Company should fail to or is unable to remedy this condition without charge to you, you may contact:

**ADMINISTRATOR
NATIONAL HIGHWAY TRAFFIC SAFETY ADMINISTRATION
1200 NEW JERSEY AVENUE, SE
WASHINGTON, D.C. 20590**

Or, you may call The National Highway Traffic Safety Administration toll free at:
1-888-327-4236 TTY 1-800-424-9153 or go to: <http://www.safercar.gov>

Questions regarding this recall campaign should be directed to me at (478) 822-2242 or lisa.hancock@blue-bird.com.

Sincerely,

Lisa Hancock
Corporate Recall Administrator
Blue Bird Body Company



Rear Seat Leg Noncompliance

RECALL

Models Affected: Certain 2011 – 2017 All American Rear Engine school buses with a right-hand rear side emergency door and seat belt-ready seats.

ISSUE

The mounting of the seat over the wheelhouse in front of the right-hand rear side emergency door on certain buses with seat belt-ready seats may not meet the requirements of FMVSS 210 Seat Belt Assembly Anchorages.

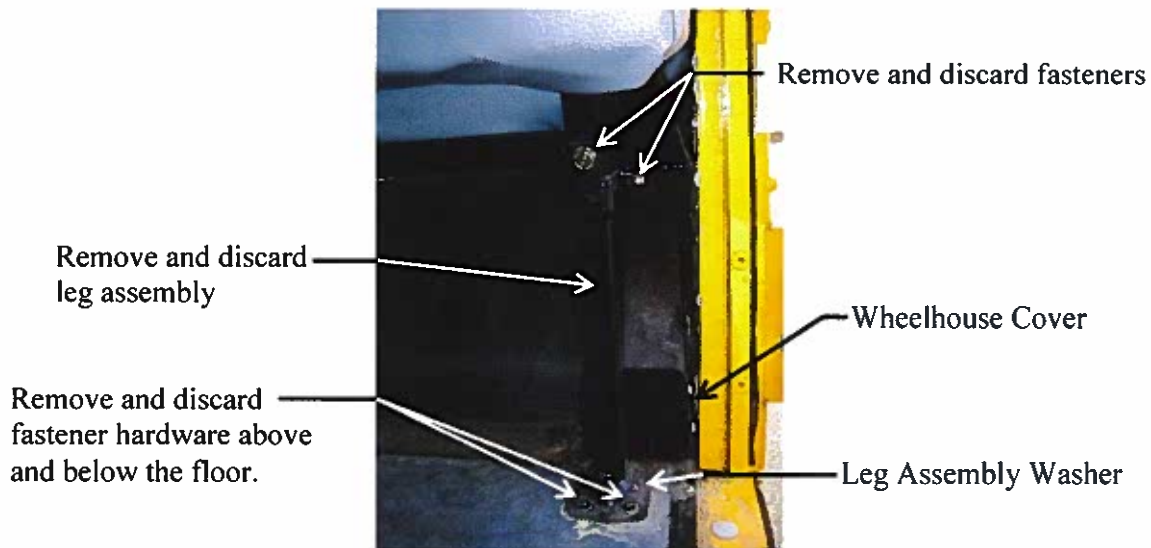
CORRECTIVE ACTION

Replace the rear leg assembly on the right-hand seat over the wheelhouse in front of the rear side emergency door with a new leg assembly.

PROCEDURE

WARNING: Always follow all Federal, State, Local and Shop safety standards and use proper safety equipment, and thoroughly read and understand all instructions before performing these procedures.

1. Park bus on level ground, turn engine off, remove ignition key, and chock wheels.
2. Remove seat cushion on right-hand seat assembly in front of rear side emergency door.
3. Open rear side emergency door to access leg assembly for right-hand gusset/floor mounted seat.
4. Remove the fasteners attaching the leg assembly to the seat frame and the fasteners attaching the leg assembly to the floor. Discard all fasteners.
5. Remove the leg assembly and discard. Note: Leg assembly washer at the bottom of the leg may be underneath the wheelhouse cover. If necessary, tap lightly with a rubber hammer to remove leg assembly.



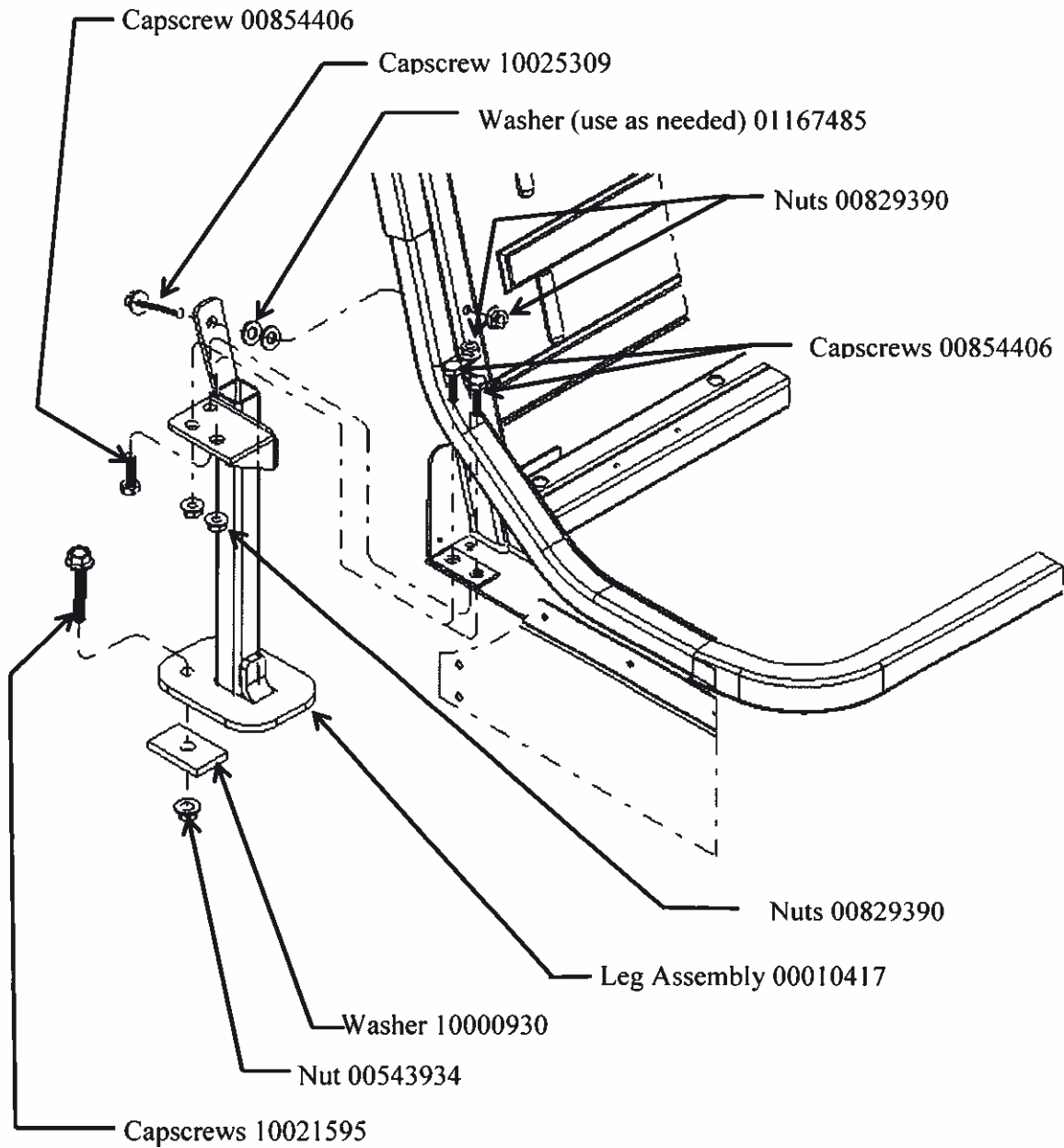
RECALL CAMPAIGN - R I 6 Y M



Rear Seat Leg Noncompliance

RECALL

RECALL CAMPAIGN R16YM

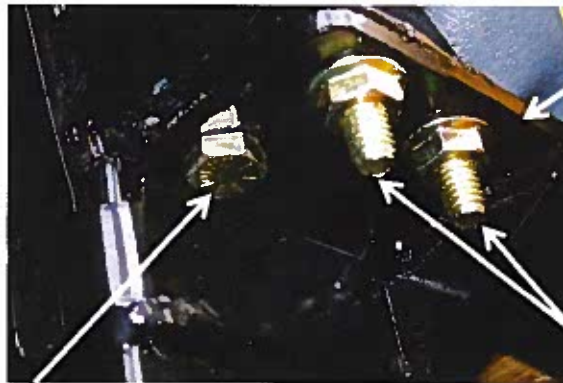




Rear Seat Leg Noncompliance

RECALL

6. Install new leg assembly 00010417 in same location. Align holes in the floor with the leg assembly foot washer. Note: May require a slight tap with rubber hammer to slide foot underneath wheelhouse cover.
7. Install two new 3/8-16 X 2 inch capscrews 10021595 through the holes in leg assembly and floor. On the bottom of the floor panel, install rectangular washer 10000930 and 3/8-16 flange lock nut 00543934 on each capscrew finger tight.
8. Align holes in leg assembly with two holes in the seat frame. Install two 5/16-18 X 1 inch capscrews 00854406 down through seat frame and leg assembly bracket. Install two 5/16-18 serrated washer nuts 00829390 underneath seat frame finger tight.
9. Drill 11/32 diameter hole through seat frame using the leg assembly bracket, as a guide. Install 5/16-18 X 1 inch capscrew 00854406 from the bottom of seat frame upward leg assembly bracket and seat frame. Install 5/16-18 serrated washer nut 00829390 on top of seat frame finger tight.



— Leg Assembly

— Install two capscrews through seat frame and leg assembly, install two nuts finger tight.

— Drill 11/32 diameter hole using existing hole in leg assembly, as a guide. Install capscrew through seat frame and nut on top finger tight.

R I 6 Y M

RECALL CAMPAIGN



Rear Seat Leg Noncompliance

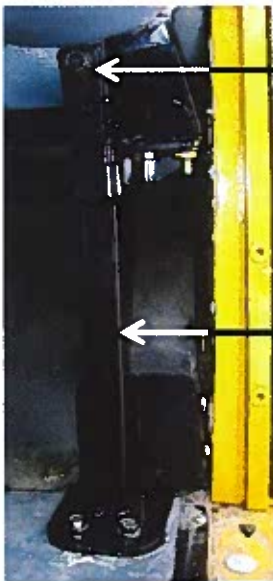
RECALL

10. Drill 11/32 inch diameter hole through seat frame using vertical flange of the leg assembly bracket as a guide. Be careful **NOT** to damage the upholstery on the seat back pad with drill chuck and bit.



NOTE: Drill bit and drill chuck must not contact upholstery.

11. Install 5/16-18 X 1.75 inch capscrew 10025309 from the vertical flange on the leg assembly through rear of seat frame. Note: If there is a gap between the inside of the vertical flange and the seat frame, install as many 11/32 inch flat washers 01167485, as required to eliminate gap.



Install capscrew through leg assembly and seat frame. Install nut on inside of seat frame. Note: If there is a gap between the back of seat frame and leg assembly, install as many flat washer as needed to remove gap.

Finished installation shown.

12. Install serrated nut. Torque all fasteners. Torque 5/16-18 grade 5 to 12 - 13 FT.LBS. , 5/16-18 grade 8 to 16 - 18 FT.LBS and 3/8-16 grade 8 to 29-33 FT.LBS.
13. Reinstall seat cushion.
14. Remove chock and place bus back in service.

R I 6 Y M

RECALL CAMPAIGN



Rear Seat Leg Noncompliance

RECALL

ITEM NUMBER	PART NUMBER	DESCRIPTION	QTY.
1	00854406	CAPSCREW,HEX HD,5/16-18 X 1,GR8,YEL ZN DICH	3
2	00829390	NUT,HEX HD,5/16-18,SER WASHER,YEL ZN DICH	4
3	10025309	CAPSCREW,HEX,FLG,5/16-18X1.75,GR5,FULLY TRD,BLK ZN	1
4	01167485	WASHER,FLAT,11/32 X 11/16 X 5/64,HDN,BLK ZN	2
5	00010417	LEG ASSY,GUSSET/FLOOR MTD SEAT,RH,W/PLY FL	1
6	00543934	NUT,HEX HD,3/8-16,ZINC,LG FLG LK,YEL ZNDICH	2
7	10000930	WASHER,1.25 X 2.00 X 0.25 W/0.437 HOLE	2
8	10021595	CAPSCREW,HEX FLG,HEAD,3/8-16x2,GR8,BLACK ZINC	2

RECALL CAMPAIGN R16YM