



# SAFETY RECALL BULLETIN

## NHTSA RECALL 16V-855, Transport Canada 2016-600

AUTOCAR, LLC SAFETY RECALL ACX-1606 -004

January, 2017

### Attention:

Service Managers/Parts Managers

### Subject:

Autocar has determined that a safety defect exists in the bracketing and placement of the back of cab fuse box of model year 2013-2017 Xpeditors. Vibration of the fuse box could cause the ignition relay coil to open which can result in stalling of the engine and failure to restart.

### Safety Recall Information:

This document provides work instructions to install a stiffening bracket to the fuse box and replace the ignition relay and other associated parts.

### Vehicles Affected:

There are 51 units affected manufactured after December 10, 2012, refer to the VIN list beginning on page 6.

### Service Responsibility:

Service sites must perform this recall on affected vehicles at no charge to the owner regardless of vehicle mileage, age or ownership. If a vehicle affected by this recall is taken into or is currently in your vehicle inventory, or at your center for service, you must perform this recall before the vehicle is sold or released to the owner.

### Required Parts:

- S8722000K004 FB3 bracket support kit
  - (1) A8721157-001 FB3 bracket support
  - (1) S8722000K006 Hardware kit
    - (1) GZ130004-002 Relay
    - (1) GM401706AA21 Screw
    - (1) GE410162AI16 Bolt
    - (1) GM286206BD01 Locknut
    - (1) GE286262BI01 Locknut

### To Obtain Parts:

Ensure that you have authorization from the customer to perform this work, and send an e-mail to [warranty@autocartruck.com](mailto:warranty@autocartruck.com) and include the following:

- VIN(s) or last 6 digits of VIN(s)
- 'Attention To' name
- 'Ship To' address

### Claims for Reimbursement:

Submit a claim for reimbursement in accordance with Autocar's Warranty Administration Manual.

### Claim Coding Information:

Labor Operation Code Number	Time Allowance SRT	Description
36401-0-30	1.00 HR	Ignition Relay Replacement

### Tools Required:

- 7mm Hex key wrench
- 10mm wrench
- 3/8" Drive, 15/16" socket
- 3/8" Drive torque wrench



# SAFETY RECALL BULLETIN

## NHTSA RECALL 16V-855, Transport Canada 2016-600

AUTOCAR, LLC SAFETY RECALL ACX-1606 -004

January, 2017

### Safety Notices



#### WARNING

To prevent eye injury, always wear eye protection when performing vehicle maintenance, service or inspection.



#### WARNING

Before working on a vehicle, set the parking brake, place the transmission in neutral and block the wheels. Failure to do so can result in unexpected vehicle movement and can cause serious personal injury or death.



#### WARNING

Autocar natural gas powered vehicles require specific compliance in the service, storage and refueling procedures.

If you store or dispense Compressed Natural Gas (CNG) or Liquid Natural Gas (LNG), or if you work on CNG or LNG trucks, your location must be fully compliant with applicable codes, regulations and standards, including National Fire Protection Association (NFPA) codes, Society of Automotive Engineers (SAE) standards, American National Standards Institute (ANSI), Natural Gas Vehicle (NGV) standards, the United States Code of Federal Regulations (CFR), your state and local fire and other applicable codes (including the California Code of Regulations and the Texas Administrative Code, as applicable).

Contact your local fire department for guidance and additional compliance information. Technicians working on Autocar trucks with CNG or LNG engines must be trained in the proper repair of CNG and LNG engines and the safe storage and dispensing of CNG and LNG.

# SAFETY RECALL BULLETIN

## NHTSA RECALL 16V-855, Transport Canada 2016-600

AUTOCAR, LLC SAFETY RECALL ACX-1606 -004

January, 2017



### CAUTION

#### LOCKOUT/TAGOUT PROCEDURES

Before entering the vehicle or vehicle body, read and follow OSHA regulations concerning entry and working in “CONFINED SPACE” OSHA 1910.146 and “LOCKOUT/TAGOUT” OSHA 1910.147. Follow OSHA regulations while performing any work on the vehicle. The vehicle must be disabled by the following steps before performing any work on the vehicle:

1. Place the transmission in NEUTRAL.
2. Set the parking brake.
3. Shut the engine OFF.
4. Lock cab doors, keep the key in your pocket. Block the wheels before entering the body or performing any work on the vehicle.
5. Turn the battery disconnect switch OFF, if equipped.
6. Completely drain the air from the primary/A system and secondary/B system by opening the drain valves on the air tanks themselves or by using the drain manifold if supplied. When draining the air tanks, do not look into the area where air is draining. Dirt or sludge particles may be expelled in the air stream and can cause eye injury.
7. Place magnetic “DANGER” signs on both cab doors before entering the body or performing any work on the vehicle.
8. Take proper precautions before working under the vehicle. Use ramps approved for the weight of your vehicle, or use floor jacks and stands. Never work under a vehicle supported by jacks alone. Always use jack stands to support the vehicle.

#### INSTALLATION OF STIFFENING BRACKET AND NEW IGNITION RELAY FOR GAS ENGINES

1. Raise the cab in accordance with the following safety precautions and procedures.



### WARNING

**Due to the danger of sustaining personal injury and/or damage to the vehicle, never attempt to raise the cab outdoors under extremely windy conditions. Strong wind conditions could force the cab beyond the normal limits of its travel. Never rely on the hydraulic pressure to hold the cab in an open position. Always use the safety pin in the cab tilt lock tube to prevent serious personal injury or death.**

# SAFETY RECALL BULLETIN

## NHTSA RECALL 16V-855, Transport Canada 2016-600

AUTOCAR, LLC SAFETY RECALL ACX-1606 -004

January, 2017



### WARNING

Remove or secure all loose articles and close all doors before raising the cab. The area above and ahead of the cab must be clear from obstructions. Place front wheels in a straight ahead position.

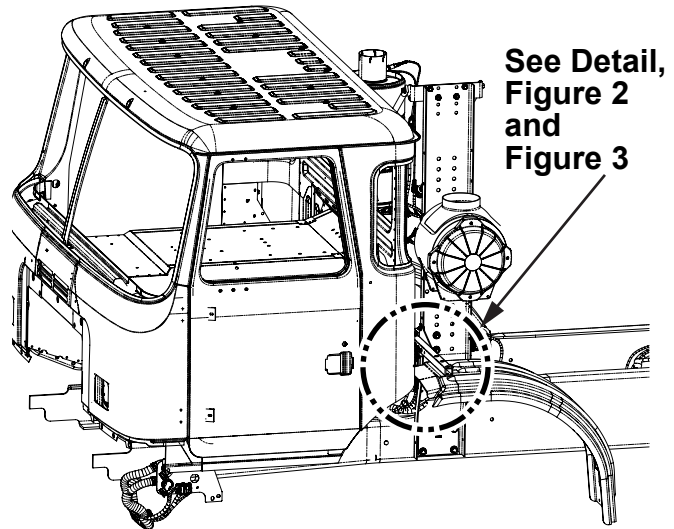
Remove the pump handle from its storage on the inside of the cab near the driver or passenger seat.

Place the selector lever on the hydraulic pump in the RAISE position. Insert the pump handle into the pump and operate the handle in an up and down motion. The hydraulic cab latches will open, then the hydraulic cylinders will lift the cab until the midpoint (top) is reached.

Once the cab has reached its midpoint the cab will move forward to the fully open position. The safety pin in the cab tilt lock device must be installed when the holes line up in the sliding bar.

Remove the pump handle when not in use. It may stick out and could cause injury to passersby.

2. Locate the FB3 fuse box on the inboard side of the left-hand upright (see *Figure 1*).



*Figure 1*

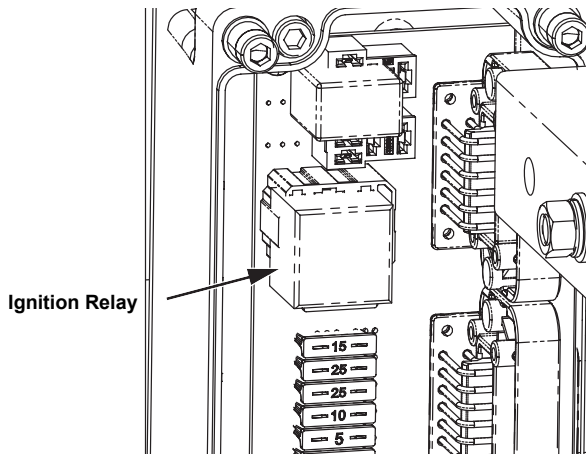
3. Remove fuse box lid and set aside for reinstallation.
4. Remove the ignition relay and discard (see *Figure 2*).
5. Remove fuse box and set aside for reinstallation.
6. Remove existing bracket and discard.
7. Install the new bracket (A8721157-001) using (1) bolt (GM410162AI16) and (1) locknut (GM286206BD01) and tighten to 160 lb-ft of torque (see *Figure 3* and *Figure 4*).

# SAFETY RECALL BULLETIN

## NHTSA RECALL 16V-855, Transport Canada 2016-600

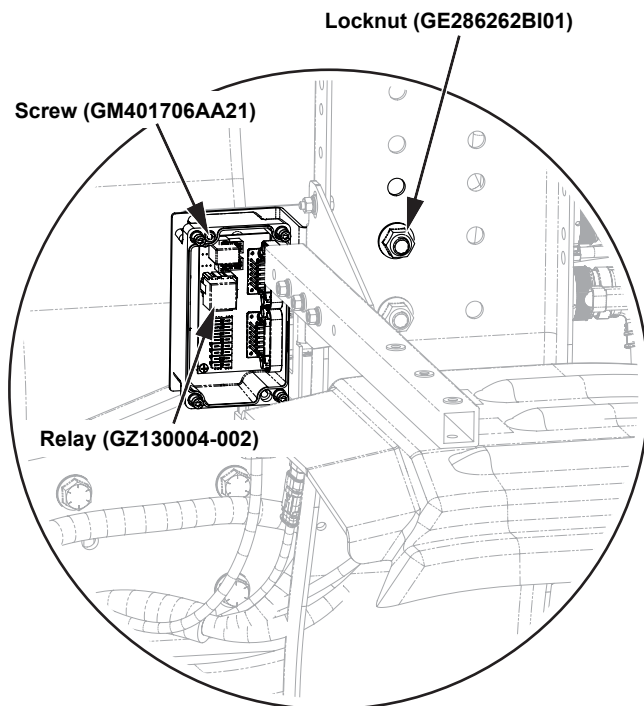
AUTOCAR, LLC SAFETY RECALL ACX-1606 -004

January, 2017

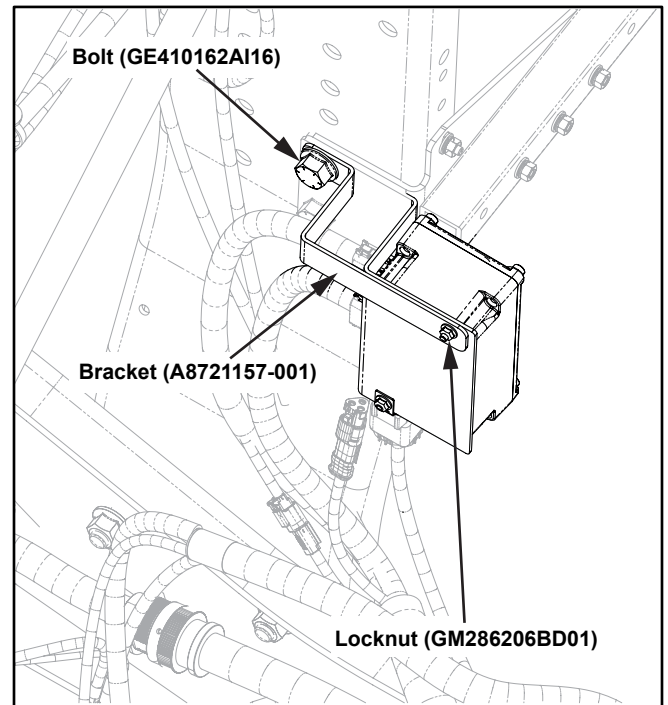


**Figure 2**

8. Install the new ignition relay (GZ130004-002) (see Figure 3).



**Figure 3, FB3 Fuse Box Detail**



**Figure 4, FB3 Fuse Box Support Bracket Detail**

9. Reinstall fuse box lid that was set aside in step 3 and tighten screws to 16 lb-in of torque.
10. Lower the cab.
11. Start the engine and check all electrical functions.
12. Installation is complete.



# SAFETY RECALL BULLETIN

## NHTSA RECALL 16V-855, Transport Canada 2016-600

AUTOCAR, LLC SAFETY RECALL ACX-1606 -004

January, 2017

5VACLSF9HH223328

5VACLSF0HH223329

5VACLSF7HH223330

5VACLSF9HH223331

5VACSSF1HH223477

5VCACRLE4HH223505

5VCACRLE6HH223506

5VCACRLE8HH223507

5VCACRLEXHH223508

5VCACRLE1HH223509

5VCACRLE8HH223510

5VCACRLEXHH223511

5VCA3RLE3HH223513

5VCA3RLE5HH223514

5VCACSSF8HH223525

5VCACSSF9HH223526

5VCACSSF1HH223527

5VCACRLE0HH223534

5VCACRLE2HH223535

5VCACRLE4HH223536

5VCACLE1HH223555

5VCACLE3HH223556

5VCACLE5HH223557

5VCACLE7HH223558

5VCACLE9HH223559

5VCACLE5HH223560

5VCACLE1HH223586

5VCACSLE0HH223587

5VCACLE5HH223588

5VCACDLEXHH223589

5VCACDLE6HH223590

5VCACDLE8HH223591

5VCACDLEXHH223592

5VCACDLE1HH223593

5VCACDLE3HH223594

5VCACDLE5HH223595

5VCACRLE0HH223596

5VCACRLE2HH223597

5VCACRLE4HH223598

5VCACRLE6HH223599

5VCACRLE9HH223600

5VCACSLE5HH223620

5VCACSLE7HH223621

5VCACSLE9HH223622

5VCACSLE0HH223623

5VCACSLE2HH223624

5VCACSLE4HH223625

5VCACLE0HH223630

5VCACLE3HH223637

5VCACLE5HH223638

5VCACLE2HH223676