



# SAFETY RECALL BULLETIN

## NHTSA RECALL 16V-855, Transport Canada 2016-600

AUTOCAR, LLC SAFETY RECALL ACX-1606 -002

January, 2017

### Attention:

Service Managers/Parts Managers

### Subject:

Autocar has determined that a safety defect exists in the bracketing and placement of the back of cab fuse box of model year 2013-2017 Xpeditors. Vibration of the fuse box could cause the ignition relay coil to open which can result in stalling of the engine and failure to restart.

### Safety Recall Information:

This document provides work instructions to install a stiffening bracket to the fuse box and replace the ignition relay and other associated parts.

### Vehicles Affected:

There are 2,956 units affected manufactured after December 10, 2012, refer to the VIN list beginning on page 7.

### Service Responsibility:

Service sites must perform this recall on affected vehicles at no charge to the owner regardless of vehicle mileage, age or ownership. If a vehicle affected by this recall is taken into or is currently in your vehicle inventory, or at your center for service, you must perform this recall before the vehicle is sold or released to the owner.

### Required Parts:

- S8722000K002 FB3 bracket support kit
  - (1) A8721157-001 FB3 bracket support
  - (1) A8721166-001 Fuse box
- (1) S8722000K006 Hardware kit
  - (1) GZ130004-002 Relay
  - (1) GM401706AA21 Screw
  - (1) GE410162AI16 Bolt
  - (1) GM286206BD01 Locknut
  - (1) GE286262BI01 Locknut

### To Obtain Parts:

Ensure that you have authorization from the customer to perform this work, and send an e-mail to [warranty@autocartruck.com](mailto:warranty@autocartruck.com) and include the following:

- VIN(s) or last 6 digits of VIN(s)
- 'Attention To' name
- 'Ship To' address

### Claims for Reimbursement:

Submit a claim for reimbursement in accordance with Autocar's Warranty Administration Manual.

### Claim Coding Information:

Labor Operation Code Number	Time Allowance SRT	Description
36401-0-29	1.00 HR	Ignition Relay Replacement

### Tools Required:

- 7mm Hex key wrench
- 10mm wrench
- 3/8" Drive, 15/16" socket
- 3/8" Drive torque wrench



# **SAFETY RECALL BULLETIN**

## **NHTSA RECALL 16V-855, Transport Canada 2016-600**

**AUTOCAR, LLC SAFETY RECALL ACX-1606 -002**

**January, 2017**

### **Safety Notices**



#### **WARNING**

To prevent eye injury, always wear eye protection when performing vehicle maintenance, service or inspection.



#### **WARNING**

Before working on a vehicle, set the parking brake, place the transmission in neutral and block the wheels. Failure to do so can result in unexpected vehicle movement and can cause serious personal injury or death.



#### **WARNING**

Autocar natural gas powered vehicles require specific compliance in the service, storage and refueling procedures.

If you store or dispense Compressed Natural Gas (CNG) or Liquid Natural Gas (LNG), or if you work on CNG or LNG trucks, your location must be fully compliant with applicable codes, regulations and standards, including National Fire Protection Association (NFPA) codes, Society of Automotive Engineers (SAE) standards, American National Standards Institute (ANSI), Natural Gas Vehicle (NGV) standards, the United States Code of Federal Regulations (CFR), your state and local fire and other applicable codes (including the California Code of Regulations and the Texas Administrative Code, as applicable).

Contact your local fire department for guidance and additional compliance information. Technicians working on Autocar trucks with CNG or LNG engines must be trained in the proper repair of CNG and LNG engines and the safe storage and dispensing of CNG and LNG.

# SAFETY RECALL BULLETIN

**NHTSA RECALL 16V-855, Transport Canada 2016-600**

**AUTOCAR, LLC SAFETY RECALL ACX-1606 -002**

January, 2017



## CAUTION

### LOCKOUT/TAGOUT PROCEDURES

Before entering the vehicle or vehicle body, read and follow OSHA regulations concerning entry and working in “CONFINED SPACE” OSHA 1910.146 and “LOCKOUT/TAGOUT” OSHA 1910.147. Follow OSHA regulations while performing any work on the vehicle. The vehicle must be disabled by the following steps before performing any work on the vehicle:

1. Place the transmission in NEUTRAL.
2. Set the parking brake.
3. Shut the engine OFF.
4. Lock cab doors, keep the key in your pocket. Block the wheels before entering the body or performing any work on the vehicle.
5. Turn the battery disconnect switch OFF, if equipped.
6. Completely drain the air from the primary/A system and secondary/B system by opening the drain valves on the air tanks themselves or by using the drain manifold if supplied. When draining the air tanks, do not look into the area where air is draining. Dirt or sludge particles may be expelled in the air stream and can cause eye injury.
7. Place magnetic “DANGER” signs on both cab doors before entering the body or performing any work on the vehicle.
8. Take proper precautions before working under the vehicle. Use ramps approved for the weight of your vehicle, or use floor jacks and stands. Never work under a vehicle supported by jacks alone. Always use jack stands to support the vehicle.

### REPLACEMENT OF FB3 FUSE BOX, STIFFENING BRACKET AND IGNITION RELAY FOR GAS ENGINES

1. Raise the cab in accordance with the following safety precautions and procedures.



## WARNING

**Due to the danger of sustaining personal injury and/or damage to the vehicle, never attempt to raise the cab outdoors under extremely windy conditions. Strong wind conditions could force the cab beyond the normal limits of its travel. Never rely on the hydraulic pressure to hold the cab in an open position. Always use the safety pin in the cab tilt lock tube to prevent serious personal injury or death.**

# SAFETY RECALL BULLETIN

## NHTSA RECALL 16V-855, Transport Canada 2016-600

AUTOCAR, LLC SAFETY RECALL ACX-1606 -002

January, 2017



### WARNING

Remove or secure all loose articles and close all doors before raising the cab. The area above and ahead of the cab must be clear from obstructions. Place front wheels in a straight ahead position.

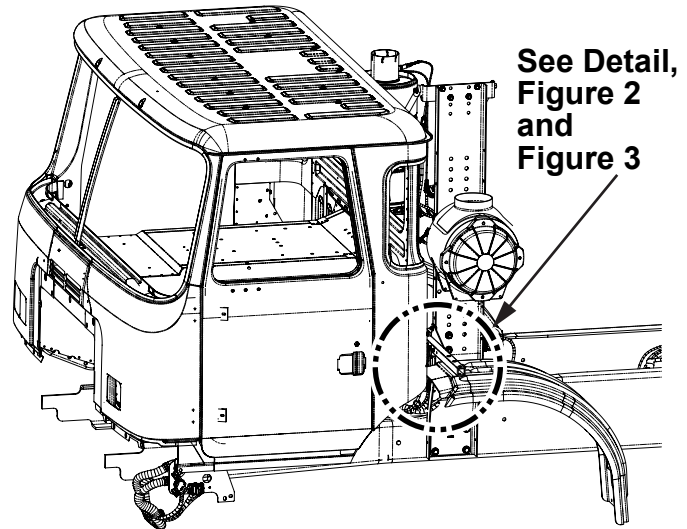
Remove the pump handle from its storage on the inside of the cab near the driver or passenger seat.

Place the selector lever on the hydraulic pump in the RAISE position. Insert the pump handle into the pump and operate the handle in an up and down motion. The hydraulic cab latches will open, then the hydraulic cylinders will lift the cab until the midpoint (top) is reached.

Once the cab has reached its midpoint the cab will move forward to the fully open position. The safety pin in the cab tilt lock device must be installed when the holes line up in the sliding bar.

Remove the pump handle when not in use. It may stick out and could cause injury to passersby.

2. Locate the FB3 fuse box on the inboard side of the left-hand upright (see *Figure 1*).



*Figure 1*

3. Remove fuse box lid and discard.

# SAFETY RECALL BULLETIN

NHTSA RECALL 16V-855, Transport Canada 2016-600

AUTOCAR, LLC SAFETY RECALL ACX-1606 -002

January, 2017

- Remove the ignition relay and discard (see Figure 2).

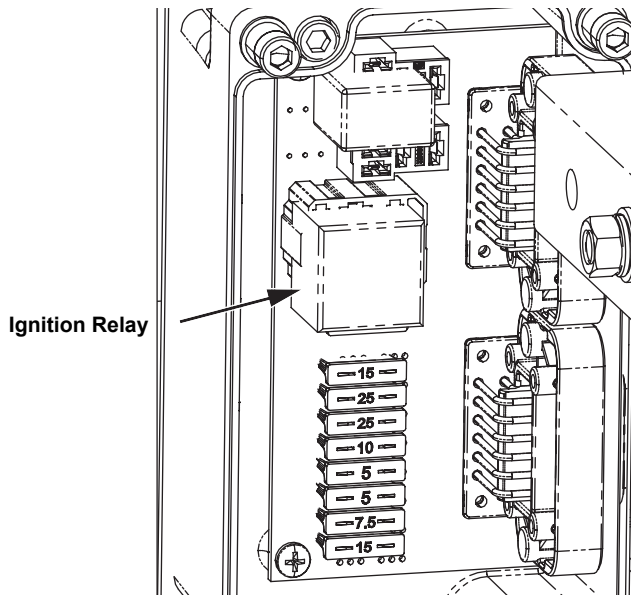


Figure 2

- Remove the fuses and remaining relay and set aside for reinstallation.

**Note:** It is very important that you take the time to record your fuse placement for reinstallation.

- Remove the fuse box and discard.
- Install the new bracket (A8721157-001), using (1) bolt (GE410162AI16) and (1) locknut (GE286262BI01) and tighten to 160 lb-ft of torque (see Figure 3 and Figure 4).

- Install the new FB3 fuse box (A8721166-001) onto bracket using (1) screw (GM401706AA21) and (1) locknut (GM286206BD01) and tighten to 25 lb-in of torque (see Figure 3 and Figure 4).
- Reinstall the fuses that were set aside in step 5 and install the new ignition relay (GZ130004-002) (see Figure 2).

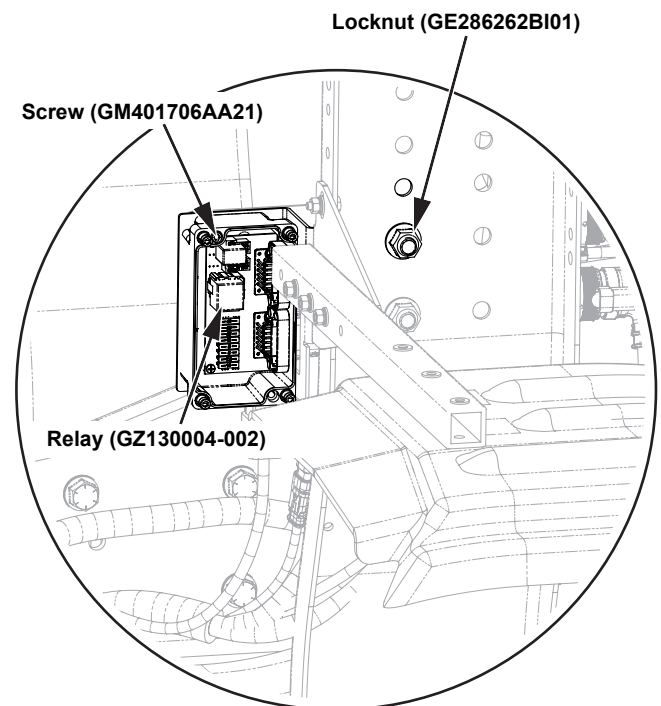


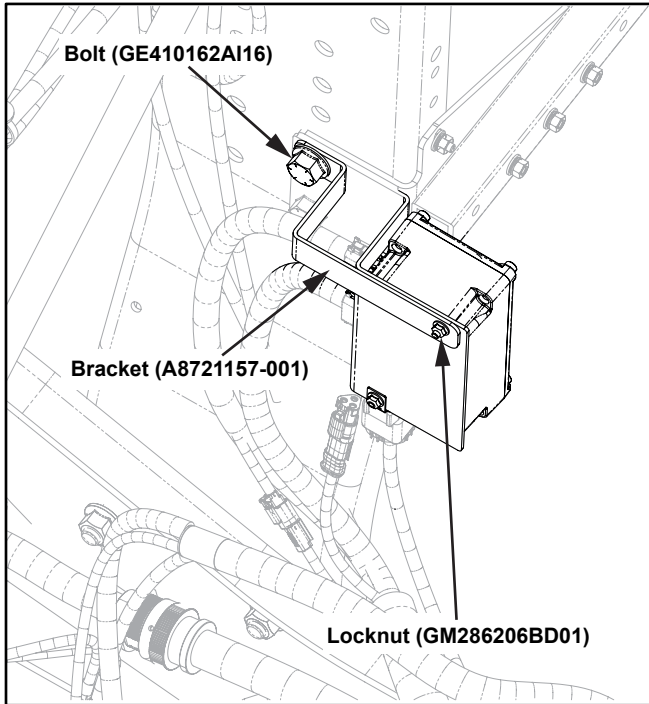
Figure 3, FB3 Fuse Box Detail

# SAFETY RECALL BULLETIN

NHTSA RECALL 16V-855, Transport Canada 2016-600

AUTOCAR, LLC SAFETY RECALL ACX-1606 -002

January, 2017



**Figure 4, FB3 Fuse Box Support Bracket Detail**

10. Install fuse box lid and tighten screws to 16 lb-in of torque.
11. Lower the cab.
12. Start the engine and check all electrical functions.
13. Installation is complete.



# SAFETY RECALL BULLETIN

## NHTSA RECALL 16V-855, Transport Canada 2016-600

AUTOCAR, LLC SAFETY RECALL ACX-1606 -002

January, 2017

5VCACDLE5DH215670	5VCACSLE7EH216289	5VCACSLE3EH216385	5VCA3LLEXEH216454
5VCACR7F3EH216169	5VCACSLE3EH216290	5VCACSLE5EH216386	5VCACLLE1EH216455
5VCACR7FXEH216170	5VCACSLE5EH216291	5VCACSLE7EH216387	5VCACLLE3EH216456
5VCACR7F1EH216171	5VCACRLE4EH216324	5VCACSLE9EH216388	5VCACLLE5EH216457
5VCACR7F3EH216172	5VCACRLE6EH216325	5VCACSLE0EH216389	5VCACLLE7EH216461
5VCACR7F5EH216173	5VCACRLE8EH216326	5VCACSLE7EH216390	5VCACLLE9EH216462
5VCACR7F7EH216174	5VCACRLEXEH216327	5VCACSLE9EH216391	5VCACSLE8EH216463
5VCACR7F9EH216175	5VCACRLE1EH216328	5VCACSLE0EH216392	5VCACSLEXEH216464
5VCACR7F0EH216176	5VCACRLE3EH216329	5VCACSLE2EH216393	5VCACLLE1EH216472
5VCACL7F6EH216177	5VCACRLEXEH216330	5VCACDLE8EH216426	5VCACLLE3EH216473
5VCACL7F8EH216178	5VCACRLE1EH216331	5VCACLLE7EH216427	5VCACLLE5EH216474
5VCACL7FXEH216179	5VCACSLE4EH216332	5VCACLLE9EH216428	5VCACLLE7EH216475
5VCACL7F6EH216180	5VCACSLE6EH216333	5VCACLLE7EH216430	5VCACRLE7EH216480
5VCACL7F8EH216181	5VCACSLE8EH216334	5VCACLLE9EH216431	5VCACRLE9EH216481
5VCACL7FXEH216182	5VCACSLEXEH216335	5VCACLLE0EH216432	5VCACRLE0EH216482
5VCACL7F1EH216183	5VCACSLE1EH216336	5VCACSLEXEH216433	5VCACLLEXEH216504
5VCACL7F3EH216184	5VCACLLE6EH216337	5VCACSLE1EH216434	5VCACLLE1EH216505
5VCACL7F5EH216185	5VCACLLE8EH216338	5VCACSLE3EH216435	5VCACSLE0EH216506
5VCACL7F7DH216199	5VCACRLE6EH216339	5VCACSLE5EH216436	5VCACSLE2EH216507
5VCACL7FXDH216200	5VCACRLE2EH216340	5VCACSLE7EH216437	5VCACSLE4EH216508
5VCACSLE1EH216269	5VCACRLE4EH216341	5VCACSLE9EH216438	5VCACSLE6EH216509
5VCACSLE8EH216270	5VCACSLE7EH216342	5VCACSLE0EH216439	5VCACSLE2EH216510
5VCACSLEXEH216271	5VCACSLE9EH216343	5VCACSLE7EH216440	5VCACSLE4EH216511
5VCACSLE1EH216272	5VCACSLE0EH216344	5VCACSLE9EH216441	5VCACLLE9EH216512
5VCACSLE0EH216277	5VCACSLE2EH216345	5VCACSLE0EH216442	5VCACLLE0EH216513
5VCACSLE2EH216278	5VCACSLE4EH216346	5VCACSLE2EH216443	5VCACLLE2EH216514
5VCACSLE4EH216279	5VCACSLE6EH216347	5VCACSLE4EH216444	5VCACLLE4EH216515
5VCACSLE0EH216280	5VCACSLE8EH216348	5VCACSLE6EH216445	5VCACSLE3EH216516
5VCACSLE2EH216281	5VCACLLE2EH216349	5VCACSLE8EH216446	5VCACSLE5EH216517
5VCACSLE4EH216282	5VCACLLE9EH216350	5VCACSLEXEH216447	5VCACSLE7EH216518
5VCACSLE6EH216283	5VCACLLE0EH216351	5VCACSLE1EH216448	5VCACSLE9EH216519
5VCACSLE8EH216284	5VCACLLE2EH216352	5VCACSLE3EH216449	5VCACSLE5EH216520
5VCACSLEXEH216285	5VCACLLEXEH216356	5VCACRLE9EH216450	5VCACSLE7EH216521
5VCACSLE1EH216286	5VCACLLE1EH216357	5VCACRLE0EH216451	5VCACSLE9EH216522
5VCACSLE3EH216287	5VCACLLE3EH216358	5VCACRLE2EH216452	5VCACSLE0EH216523
5VCACSLE5EH216288	5VCACSLE1EH216384	5VCACRLE4EH216453	5VCACSLE2EH216524



# SAFETY RECALL BULLETIN

## NHTSA RECALL 16V-855, Transport Canada 2016-600

AUTOCAR, LLC SAFETY RECALL ACX-1606 -002

January, 2017

5VCACSLE4EH216525	5VCACDLE4EH216570	5VCACDLE5EH216612	5VCACLLE0EH216737
5VCACSLE6EH216526	5VCACDLE6EH216571	5VCA3SLE8EH216625	5VCACLLE2EH216738
5VCACSLE8EH216527	5VCACDLE8EH216572	5VCACSLE3EH216631	5VCACLLE4EH216739
5VCACLLE2EH216528	5VCACDLEXEH216573	5VCACRLE5EH216638	5VCACLLE0EH216740
5VCACLLE4EH216529	5VCACDLE1EH216574	5VCACL7F3EH216640	5VCACRLEXEH216747
5VCACSLE8EH216530	5VCACLLE0EH216575	5VCACL7F5EH216641	5VCACRLE3EH216749
5VCACSLEXEH216531	5VCACLLE2EH216576	5VCACSLE9EH216648	5VCACDLEXEH216752
5VCACSLE1EH216532	5VCACRLE0EH216577	5VCACSLE7EH216650	5VCACRLE0EH216756
5VCACSLE3EH216533	5VCACSLE3EH216578	5VCACSLE9EH216651	5VCACRLE2EH216757
5VCACSLE5EH216534	5VCACSLE5EH216579	5VCA3SLE0EH216666	5VCACRLE4EH216758
5VCACSLE7EH216535	5VCACSLE1EH216580	5VCACSLE2EH216667	5VCACRLE6EH216759
5VCACDLE8EH216541	5VCACSLE3EH216581	5VCACSLE4EH216668	5VCACRLE2EH216760
5VCACDLEXEH216542	5VCACSLE5EH216582	5VCA3SLE6EH216669	5VCACRLE4EH216761
5VCACDLE9EH216547	5VCACSLE7EH216583	5VCA3SLE2EH216670	5VCACRLE6EH216762
5VCACDLE0EH216548	5VCACSLE9EH216584	5VCA3SLE4EH216671	5VCACRLE8EH216763
5VCACDLE2EH216549	5VCACSLE0EH216585	5VCA3SLE6EH216672	5VCACRLEXEH216764
5VCACDLE9EH216550	5VCACSLE2EH216586	5VCA3SLE8EH216673	5VCACS7F1EH216792
5VCACDLE0EH216551	5VCACSLE4EH216587	5VCA3SLEXEH216674	5VCACS7F3EH216793
5VCACDLE2EH216552	5VCACLLE9EH216588	5VCA3SLE1EH216675	5VCACS7F5EH216794
5VCACDLE4EH216553	5VCACSLE8EH216589	5VCACSLE2EH216720	5VCACS7F7EH216795
5VCACDLE6EH216554	5VCACSLE4EH216590	5VCACSLE4EH216721	5VCACS7F9EH216796
5VCACDLE8EH216555	5VCACSLE6EH216591	5VCACSLE6EH216722	5VCACS7F0EH216797
5VCACDLEXEH216556	5VCACSLE8EH216592	5VCACSLE8EH216723	5VCACS7F2EH216798
5VCACDLE1EH216557	5VCACDLE4EH216598	5VCACSLEXEH216724	5VCACS7F4EH216799
5VCACDLE3EH216558	5VCACSLE3EH216600	5VCACSLE1EH216725	5VCACLLE7EH216802
5VCACDLE5EH216559	5VCACSLE5EH216601	5VCACSLE3EH216726	5VCACLLE0EH216804
5VCACDLE1EH216560	5VCACSLE7EH216602	5VCACSLE5EH216727	5VCACLLE2EH216805
5VCACDLE3EH216561	5VCACSLE9EH216603	5VCACLLEXEH216728	5VCACLLE4EH216806
5VCACDLE5EH216562	5VCACSLE0EH216604	5VCACLLE1EH216729	5VCACRLE2EH216807
5VCACDLE7EH216563	5VCACSLE2EH216605	5VCACLLE8EH216730	5VCACLLE6EH216810
5VCACDLE9EH216564	5VCACSLE4EH216606	5VCACLLEXEH216731	5VCACL7F8EH216813
5VCACDLE0EH216565	5VCACSLE6EH216607	5VCACLLE1EH216732	5VCACL7FXEH216814
5VCACDLE2EH216566	5VCACSLE8EH216608	5VCACLLE3EH216733	5VCACL7F1EH216815
5VCACDLE4EH216567	5VCACSLEXEH216609	5VCACLLE5EH216734	5VCACL7F3EH216816
5VCACDLE6EH216568	5VCACSLE6EH216610	5VCACLLE7EH216735	5VCACL7F5EH216817
5VCACDLE8EH216569	5VCACSLE8EH216611	5VCACLLE9EH216736	5VCACS7F4EH216818



# SAFETY RECALL BULLETIN

## NHTSA RECALL 16V-855, Transport Canada 2016-600

AUTOCAR, LLC SAFETY RECALL ACX-1606 -002

January, 2017

5VCACS7F6EH216819	5VCACLLE2EH216870	5VCACSLE3EH216998	5VCACLLE4EH217048
5VCACS7F2EH216820	5VCACRLE1EH216894	5VCACSLE5EH216999	5VCACLLE6EH217049
5VCACS7F4EH216821	5VCACRLE3EH216895	5VCACSLE6EH217000	5VCACRLE9EH217050
5VCACS7F6EH216822	5VCACSLEXEH216903	5VCACSLE8EH217001	5VCACRLE0EH217051
5VCACS7F8EH216823	5VCACSLE9EH216942	5VCACSLEXEH217002	5VCACRLE2EH217052
5VCACS7FXEH216824	5VCACSLE0EH216943	5VCACSLE1EH217003	5VCACRLE4EH217053
5VCACS7F1EH216825	5VCACSLE2EH216944	5VCACSLE3EH217004	5VCACRLE6EH217054
5VCACS7F3EH216826	5VCACSLE4EH216945	5VCACSLE5EH217005	5VCACRLE8EH217055
5VCACS7F5EH216827	5VCACRLE1EH216961	5VCACSLE7EH217006	5VCACRLEXEH217056
5VCACS7F7EH216828	5VCACRLE3EH216962	5VCACSLE9EH217007	5VCACRLE1EH217057
5VCACS7F9EH216829	5VCACRLE5EH216963	5VCACSLE0EH217008	5VCACRLE3EH217058
5VCACS7F5EH216830	5VCACRLE7EH216964	5VCACLLE5EH217009	5VCACRLE5EH217059
5VCACS7F7EH216831	5VCACRLE9EH216965	5VCACLLE1EH217010	5VCACRLE1EH217060
5VCACLLE5EH216832	5VCACRLE0EH216966	5VCACLLE3EH217011	5VCACRLE3EH217061
5VCACLLE7EH216833	5VCACRLE4EH216968	5VCACLLE7EH217013	5VCACRLE5EH217062
5VCACSLE6EH216834	5VCACRLE6EH216969	5VCACLLE9EH217014	5VCACRLE7EH217063
5VCACDLE3EH216835	5VCACRLE2EH216970	5VCACLLE0EH217015	5VCACRLE9EH217064
5VCACLLE2EH216836	5VCACRLE4EH216971	5VCACLLE2EH217016	5VCACRLE0EH217065
5VCACLLE4EH216837	5VCACRLE6EH216972	5VCACSLE2EH217026	5VCACRLE2EH217066
5VCACLLE6EH216838	5VCACRLE8EH216973	5VCACLSF8EH217029	5VCACRLE4EH217067
5VCACLLE8EH216839	5VCACRLEXEH216974	5VCACLSF4EH217030	5VCACRLE6EH217068
5VCACLLE4EH216840	5VCACRLE0EH216983	5VCACLSF6EH217031	5VCACRLE8EH217069
5VCACLLE6EH216841	5VCACRLE2EH216984	5VCACLSF8EH217032	5VCACRLE4EH217070
5VCACLLE8EH216842	5VCACRLE4EH216985	5VCACLSFXEH217033	5VCACRLEXEH217071
5VCA3LLE5EH216846	5VCACRLE6EH216986	5VCACLSF1EH217034	5VCACLLE1EH217072
5VCACLLE3EH216859	5VCACLLE1EH216987	5VCACSLE3EH217035	5VCACSLE0EH217073
5VCACRLEXEH216860	5VCACLLE3EH216988	5VCACSLE5EH217036	5VCACSLE2EH217074
5VCACLLE1EH216861	5VCACLLE5EH216989	5VCACDLE2EH217037	5VCACDLEXEH217075
5VCACLLE3EH216862	5VCACLLE1EH216990	5VCACDLE4EH217038	5VCACDLE1EH217076
5VCACLLE5EH216863	5VCACSLE0EH216991	5VCACDLE6EH217039	5VCACDLE3EH217077
5VCACLLE7EH216864	5VCACSLE2EH216992	5VCACDLE2EH217040	5VCACDLE5EH217078
5VCACLLE9EH216865	5VCACSLE4EH216993	5VCACDLE4EH217041	5VCACDLE2EH217104
5VCACLLE0EH216866	5VCACSLE6EH216994	5VCACDLE6EH217042	5VCACDLE4EH217105
5VCACLLE2EH216867	5VCACSLE8EH216995	5VCACRLE1EH217043	5VCACDLE5EH217128
5VCACLLE4EH216868	5VCACSLEXEH216996	5VCACRLE3EH217044	5VCACDLE7EH217129
5VCACLLE6EH216869	5VCACSLE1EH216997	5VCACRLE5EH217045	5VCACDLE3EH217130



# SAFETY RECALL BULLETIN

## NHTSA RECALL 16V-855, Transport Canada 2016-600

AUTOCAR, LLC SAFETY RECALL ACX-1606 -002

January, 2017

5VCACDLE5EH217131

5VCACDLE7EH217132

5VCACDLE9EH217133

5VCACDLE0EH217134

5VCACDLE2EH217135

5VCACDLE4EH217136

5VCACDLE6EH217137

5VCACDLE8EH217138

5VCACDLEXEH217139

5VCACDLE6EH217140

5VCACRLE3EH217142

5VCACRLE5EH217143

5VCACRLE7EH217144

5VCACRLE9EH217145

5VCACRLE0EH217146

5VCACRLE2EH217147

5VCACRLE4EH217148

5VCACLLEXEH217149

5VCACLLE6EH217150

5VCACLLE8EH217151

5VCACLLEXEH217152

5VCACLLE1EH217153

5VCACLLE3EH217154

5VCACLLE5EH217155

5VCACSLE4EH217156

5VCACSLE6EH217157

5VCACSLE8EH217158

5VCACLLE0EH217161

5VCACLLE2EH217162

5VCACLLE4EH217163

5VCACLLE6EH217164

5VCACLLE8EH217165

5VCACLLEXEH217166

5VCACLLE1EH217167

5VCACLLE3EH217168

5VCACLLE5EH217169

5VCACLLE1EH217170

5VCACLLE3EH217171

5VCACLLE5EH217172

5VCACLLE7EH217173

5VCACLLE9EH217174

5VCACLLE0EH217175

5VCACLLE2EH217176

5VCACLLE4EH217177

5VCACSLE3EH217178

5VCACSLE5EH217179

5VCACSLE1EH217180

5VCACSLE3EH217181

5VCACSLE5EH217182

5VCACSLE7EH217183

5VCACSLE9EH217184

5VCACSLE0EH217185

5VCACSLE2EH217186

5VCACLLE7EH217187

5VCACLLE9EH217188

5VCACLLE0EH217189

5VCACLLE7EH217190

5VCACLLE9EH217191

5VCACLLE0EH217192

5VCACLLE2EH217193

5VCACLLE4EH217194

5VCACLLE6EH217195

5VCACLLE8EH217196

5VCACRLE6EH217197

5VCACLLE1EH217198

5VCACLLE3EH217199

5VCACLLE6EH217200

5VCACLLE8EH217201

5VCACLLEXEH217202

5VCACLLE1EH217203

5VCACLLE3EH217204

5VCACLLE5EH217205

5VCACRLE2EH217228

5VCACRLE4EH217229

5VCACRLE0EH217230

5VCACDLE9EH217231

5VCACDLE0EH217232

5VCACDLE2EH217233

5VCACDLE4EH217234

5VCACDLE6EH217235

5VCACDLE8EH217236

5VCACDLEXEH217237

5VCACDLE1EH217238

5VCACDLE3EH217239

5VCACDLEXEH217240

5VCACDLE1EH217241

5VCACDLE3EH217242

5VCACDLE5EH217243

5VCACDLE7EH217244

5VCACDLE9EH217245

5VCACLLE8EH217246

5VCACLLEXEH217247

5VCACLLE1EH217248

5VCACLLE3EH217249

5VCACLLEXEH217250

5VCACLLE1EH217251

5VCACLLE3EH217252

5VCACLLE5EH217253

5VCACLLE7EH217254

5VCACLLE9EH217255

5VCA3DLE7EH217261

5VCA3DLE0EH217263

5VCA3DLE2EH217264

5VCA3DLE4EH217265

5VCA3DLE6EH217266

5VCA3DLE8EH217267

5VCA3DLEXEH217268

5VCACDLE1EH217269

5VCACDLE3EH217273

5VCACDLE5EH217274

5VCACLLE8EH217280

5VCACLLEXEH217281

5VCACLLE1EH217282

5VCACSLE0EH217283

5VCACLLE5EH217284

5VCACLLE7EH217285

5VCA3SLE1EH217289

5VCA3SLE9EH217296

5VCA3SLE0EH217297

5VCACDLE0EH217313

5VCACDLE2EH217314

5VCACDLE4EH217315

5VCACDLE6EH217316

5VCACDLE8EH217317

5VCACDLEXEH217318

5VCACDLE1EH217319

5VCACDLE8EH217320

5VCACDLEXEH217321

5VCACDLE1EH217322

5VCACDLE3EH217323

5VCACDLE5EH217324

5VCACLLE4EH217325

5VCACDLE9EH217326

5VCACLLE8EH217361

5VCACLLEXEH217362

5VCACLLE1EH217363

5VCACLLE3EH217364

5VCACLLE5EH217365

5VCACLLE7EH217366

5VCACLLE9EH217367

5VCACLLE0EH217368

5VCACLLE2EH217369

5VCACLLE9EH217370

5VCACLLE0EH217371



# SAFETY RECALL BULLETIN

## NHTSA RECALL 16V-855, Transport Canada 2016-600

AUTOCAR, LLC SAFETY RECALL ACX-1606 -002

January, 2017

5VCACLE2EH217372	5VCACSLE6EH217613	5VCACLE4EH217714	5VCACLE1EH217797
5VCACLE4EH217387	5VCACSLE8EH217614	5VCACRLE2EH217715	5VCACLE5EH217799
5VCACLE6EH217388	5VCACSLEXEH217615	5VCACDSF8EH217716	5VCACLE8EH217800
5VCACLE8EH217389	5VCACLE4EH217616	5VCACDSFXEH217717	5VCACLE9EH217806
5VCACLE4EH217390	5VCACLE6EH217617	5VCACDSF1EH217718	5VCACSLEXEH217808
5VCACLE6EH217391	5VCACDLE0EH217618	5VCACDSF3EH217719	5VCACSLE1EH217809
5VCACLE8EH217392	5VCACDLE2EH217619	5VCACDSFXEH217720	5VCACSLE8EH217810
5VCACLEXEH217393	5VCACDLE9EH217620	5VCACDSF1EH217721	5VCACSLEXEH217811
5VCACLE1EH217394	5VCACDLE0EH217621	5VCACDSF3EH217722	5VCACSLE1EH217812
5VCACLE3EH217395	5VCACDLE2EH217622	5VCACSLE2EH217723	5VCACSLE3EH217813
5VCACLE5EH217396	5VCACDLE4EH217623	5VCACSLE4EH217724	5VCACSLE5EH217814
5VCACLE7EH217397	5VCACSLE7EH217636	5VCACSLE6EH217725	5VCACSLE7EH217815
5VCACLE9EH217398	5VCACLE1EH217654	5VCACSLE8EH217726	5VCACSLE9EH217816
5VCACLE0EH217399	5VCACLE3EH217655	5VCACSLEXEH217727	5VCACSLE0EH217817
5VCACLE3EH217400	5VCACLE5EH217656	5VCACSLE1EH217728	5VCACSLE2EH217818
5VCACSLE4EH217402	5VCACLE7EH217657	5VCACSLE3EH217746	5VCACSLE4EH217819
5VCACLSF6EH217403	5VCACLE9EH217658	5VCACSSF2EH217747	5VCACSLE0EH217820
5VCACLE0EH217404	5VCACLE0EH217659	5VCACSSF4EH217748	5VCACSLE2EH217821
5VCACLE2EH217405	5VCACLE7EH217660	5VCACSSF6EH217749	5VCACSLE4EH217822
5VCACLSF1EH217406	5VCACLE9EH217661	5VCACSSF2EH217750	5VCACSLE6EH217823
5VCACDLE9EH217441	5VCACLE0EH217662	5VCACSSF4EH217751	5VCACSLE8EH217824
5VCACDLE0EH217442	5VCACLE2EH217663	5VCACSSF6EH217752	5VCACLE6EH217827
5VCACDLE1EH217448	5VCACLE4EH217664	5VCACLE3EH217753	5VCACLE8EH217828
5VCACLE4EH217468	5VCACLE6EH217665	5VCACLE5EH217754	5VCACLEXEH217829
5VCACLE6EH217469	5VCACLE8EH217666	5VCACLE7EH217755	5VCACDLE9EH217830
5VCACLSF6EH217482	5VCACLEXEH217667	5VCACRLE7EH217757	5VCACDLE0EH217831
5VCA3LLE8EH217537	5VCACLE1EH217668	5VCACRLE0EH217762	5VCACDLE2EH217832
5VCA3LLEXEH217538	5VCACLE3EH217669	5VCACRLEXEH217770	5VCACDLE4EH217833
5VCACRLE8EH217556	5VCACLEXEH217670	5VCACRLE1EH217771	5VCA3DLE7FH217861
5VCACRLEXEH217557	5VCACLE1EH217671	5VCACRLE3EH217772	5VCACDLE0FH217863
5VCACLE5EH217558	5VCACLEXEH217684	5VCACRLE5EH217773	5VCACDLE2FH217864
5VCACLE3EH217607	5VCACLE1EH217685	5VCACRLE7EH217774	5VCACDLE4FH217865
5VCACLE7EH217609	5VCACLE3EH217686	5VCACLE8EH217778	5VCACDLE6FH217866
5VCACSLE0EH217610	5VCACRLE1EH217687	5VCACLE9EH217787	5VCACLE7FH217871
5VCACSLE2EH217611	5VCACRLE3EH217688	5VCACLE8EH217795	5VCACRLE5FH217872
5VCACSLE4EH217612	5VCACLSFXEH217713	5VCACLEXEH217796	5VCACRLE7FH217873



# SAFETY RECALL BULLETIN

## NHTSA RECALL 16V-855, Transport Canada 2016-600

AUTOCAR, LLC SAFETY RECALL ACX-1606 -002

January, 2017

5VCACRLE3FH217899	5VCACLE3FH217981	5VCACLE0FH218084	5VCACSLE9FH218143
5VCACRLE6FH217900	5VCACLE5FH217982	5VCACLE2FH218085	5VCACSSF8FH218144
5VCACRLE8FH217901	5VCA3RLE3FH217983	5VCACLE4FH218086	5VCACSSF9FH218145
5VCACRLEXFH217902	5VCA3RLE6FH217984	5VCACRLE9FH218099	5VCACSSF1FH218146
5VCACRLE1FH217903	5VCA3RLE8FH217985	5VCACRLE1FH218100	5VCACSSF3FH218147
5VCACRLE3FH217904	5VCACLE2FH217986	5VCACRLE3FH218101	5VCACSSF5FH218148
5VCACRLE5FH217905	5VCACLE4FH217987	5VCACRLE7FH218103	5VCACLE2FH218152
5VCACRLE7FH217906	5VCACLE6FH217988	5VCACRLE9FH218104	5VCACSLE1FH218153
5VCACRLE9FH217907	5VCACDLE0FH217989	5VCACLEXFH218111	5VCACSLE3FH218154
5VCACRLE0FH217908	5VCACRLE3FH217997	5VCACLE1FH218112	5VCACSLE5FH218155
5VCACRLE2FH217909	5VCACRLE5FH217998	5VCACLE3FH218113	5VCACSLE7FH218156
5VCACRLE9FH217910	5VCACRLE7FH217999	5VCACLE5FH218114	5VCACSLE9FH218157
5VCACRLE0FH217911	5VCACRLE8FH218000	5VCACLE7FH218115	5VCACSLE0FH218158
5VCACRLE2FH217912	5VCACSLE4FH218020	5VCACLE9FH218116	5VCACSLE2FH218159
5VCACRLE4FH217913	5VCACRLE7FH218022	5VCACLE0FH218117	5VCACSLE9FH218160
5VCACRLE6FH217914	5VCACLE2FH218023	5VCACLE2FH218118	5VCACSLE0FH218161
5VCACRLE8FH217915	5VCACRLE5FH218035	5VCACSLE1FH218119	5VCACSLE2FH218162
5VCACRLEXFH217916	5VCACRLE7FH218036	5VCACSLE8FH218120	5VCACSLE4FH218163
5VCACRLE1FH217917	5VCA3RLE6FH218049	5VCACSLEXFH218121	5VCACSLE6FH218164
5VCACRLE3FH217918	5VCACDLE3FH218067	5VCACSLE1FH218122	5VCACSLE8FH218165
5VCACRLE5FH217919	5VCACDLE5FH218068	5VCACSLE3FH218123	5VCACSLEXFH218166
5VCACRLE1FH217920	5VCACDLE7FH218069	5VCACSLE5FH218124	5VCACSLE1FH218167
5VCACRLE3FH217921	5VCACDLE3FH218070	5VCACLEXFH218125	5VCACSLE3FH218168
5VCACRLE5FH217922	5VCACDLE5FH218071	5VCACLE1FH218126	5VCACSLE5FH218169
5VCACRLE7FH217923	5VCACDLE7FH218072	5VCACLE3FH218127	5VCACSLE1FH218170
5VCACRLE9FH217924	5VCACDLE9FH218073	5VCACLE5FH218128	5VCACSLE3FH218171
5VCACRLEXFH217933	5VCACDLE0FH218074	5VCA3SLE6FH218133	5VCACSLE5FH218172
5VCACRLE1FH217934	5VCACDLE2FH218075	5VCA3SLE8FH218134	5VCACRLE8FH218174
5VCACLE4FH217973	5VCACDLE4FH218076	5VCACSLEXFH218135	5VCACRLEXFH218175
5VCACLE6FH217974	5VCACDLE6FH218077	5VCACSLE1FH218136	5VCACRLE1FH218176
5VCACLE8FH217975	5VCACDLE8FH218078	5VCACSLE3FH218137	5VCACRLE3FH218177
5VCACLEXFH217976	5VCACDLEXFH218079	5VCACSLE5FH218138	5VCACRLE5FH218178
5VCACLE1FH217977	5VCACDLE6FH218080	5VCACSLE7FH218139	5VCACRLE7FH218179
5VCACLE3FH217978	5VCACDLE8FH218081	5VCACSLE3FH218140	5VCACRLE3FH218180
5VCACLE5FH217979	5VCACLE7FH218082	5VCACSLE5FH218141	5VCACRLE5FH218181
5VCACLE1FH217980	5VCACLE9FH218083	5VCACSLE7FH218142	5VCACSLE9FH218191



# SAFETY RECALL BULLETIN

## NHTSA RECALL 16V-855, Transport Canada 2016-600

AUTOCAR, LLC SAFETY RECALL ACX-1606 -002

January, 2017

5VCACSLE0FH218192	5VCACSLE6FH218228	5VCACLLE3FH218323	5VCACLSF2FH218372
5VCACSLE2FH218193	5VCACSLE8FH218229	5VCACLLE5FH218324	5VCACLSF4FH218373
5VCACSLE4FH218194	5VCACSLE4FH218230	5VCACLLE7FH218325	5VCACLSF6FH218374
5VCACSLE6FH218195	5VCACDLE5FH218233	5VCACLSF6FH218326	5VCACLSF8FH218375
5VCACSLE8FH218196	5VCACDLE7FH218234	5VCACLSF8FH218327	5VCACSSF7FH218376
5VCACSLEXFH218197	5VCACDLE9FH218235	5VCACLSFXFH218328	5VCACSSF9FH218377
5VCACSLE1FH218198	5VCACLLE8FH218236	5VCACLSF1FH218329	5VCACSSF0FH218378
5VCACSLE3FH218199	5VCACDLE2FH218237	5VCACLSF8FH218330	5VCACSSF2FH218379
5VCACSLE6FH218200	5VCACDLE4FH218238	5VCACSLEXFH218331	5VCACSSF9FH218380
5VCACSLE8FH218201	5VCACDLE6FH218239	5VCACSLE1FH218332	5VCACLSF3FH218381
5VCACSLEXFH218202	5VCACDLE2FH218240	5VCACLSF0FH218340	5VCACLSF5FH218382
5VCACSLE1FH218203	5VCACDLE4FH218241	5VCACSLE8FH218344	5VCACLSF7FH218383
5VCACSLE3FH218204	5VCACDLE6FH218242	5VCACDLE5FH218345	5VCACLSF9FH218384
5VCACSLE5FH218205	5VCACLLE4FH218248	5VCACDLE7FH218346	5VCACLSF0FH218385
5VCACSLE7FH218206	5VCACRLE2FH218249	5VCACDLE9FH218347	5VCACLSF2FH218386
5VCACSLE9FH218207	5VCACRLE9FH218250	5VCACDLE0FH218348	5VCACLSF4FH218387
5VCACSLE0FH218208	5VCACSLE1FH218251	5VCACLLEXFH218349	5VCACLSF6FH218388
5VCACSLE2FH218209	5VCACSLE3FH218252	5VCACLLE6FH218350	5VCACLSF8FH218389
5VCACSLE9FH218210	5VCACSLE5FH218253	5VCACLLE8FH218351	5VCACLSF4FH218390
5VCACSLE0FH218211	5VCA3RLE7FH218263	5VCACLLEXFH218352	5VCACLSF6FH218391
5VCACSLE2FH218212	5VCACRLE9FH218264	5VCACLLE1FH218353	5VCA3DLE0FH218396
5VCACSLE4FH218213	5VCACRLE0FH218265	5VCACLLE3FH218354	5VCA3DLE2FH218397
5VCACSLE6FH218214	5VCACRLE2FH218266	5VCACLLE5FH218355	5VCA3DLE4FH218398
5VCACSLE8FH218215	5VCACRLE4FH218267	5VCACLLE7FH218356	5VCA3DLE6FH218399
5VCACSLEXFH218216	5VCACRLE6FH218268	5VCACLLE9FH218357	5VCA3DLE9FH218400
5VCACSLE1FH218217	5VCACRLE8FH218269	5VCACLLE0FH218358	5VCACDLE0FH218401
5VCACSLE3FH218218	5VCA3SLE5FH218270	5VCACLLE2FH218359	5VCACDLE2FH218402
5VCACSLE5FH218219	5VCA3SLE7FH218271	5VCACLLE0FH218361	5VCACLLE1FH218403
5VCACSLE1FH218220	5VCA3SLE9FH218272	5VCACLLE2FH218362	5VCACLLE3FH218404
5VCACSLE3FH218221	5VCACRLEXFH218273	5VCACLLE4FH218363	5VCACLLE5FH218405
5VCACSLE5FH218222	5VCACRLE1FH218274	5VCACLLE6FH218364	5VCACRLE3FH218406
5VCACSLE7FH218223	5VCACLSF7FH218318	5VCACLSF9FH218367	5VCACRLE5FH218410
5VCACSLE9FH218224	5VCACLSF9FH218319	5VCACLSF0FH218368	5VCACRLE7FH218411
5VCACSLE0FH218225	5VCACLLE8FH218320	5VCACLSF2FH218369	5VCA3RLE2FH218414
5VCACSLE2FH218226	5VCACLLEXFH218321	5VCACLSF9FH218370	5VCACSLE5FH218415
5VCACSLE4FH218227	5VCACLLE1FH218322	5VCACLSF0FH218371	5VCACRLE2FH218428



# SAFETY RECALL BULLETIN

## NHTSA RECALL 16V-855, Transport Canada 2016-600

AUTOCAR, LLC SAFETY RECALL ACX-1606 -002

January, 2017

5VCACRLE4FH218429

5VCACRLE0FH218430

5VCACRLE2FH218431

5VCACRLE4FH218432

5VCACRLE8FH218434

5VCACRLEXFH218435

5VCACRLE1FH218436

5VCACRLE3FH218437

5VCACRLE5FH218438

5VCACRLE7FH218439

5VCACRLE3FH218440

5VCACRLE5FH218441

5VCACRLE7FH218442

5VCACDLE5FH218443

5VCACRLE0FH218444

5VCACRLE2FH218445

5VCACRLE6FH218464

5VCACRLE8FH218465

5VCACRLEXFH218466

5VCACRLE1FH218467

5VCACRLE3FH218468

5VCACRLE5FH218469

5VCACRLE1FH218470

5VCACRLE3FH218471

5VCACRLE5FH218472

5VCACRLE7FH218473

5VCACRLE6FH218545

5VCACRLE8FH218546

5VCACRLEXFH218547

5VCACRLE1FH218548

5VCACRLE3FH218549

5VCA3RLEXFH218550

5VCA3RLE1FH218551

5VCACLLE7FH218552

5VCACLLE8FH218561

5VCACLLEXFH218562

5VCACSLE9FH218563

5VCACSLE0FH218564

5VCACLLE9FH218570

5VCACLLE0FH218571

5VCACLLE2FH218572

5VCACRLE5FH218584

5VCACLLE2FH218586

5VCACLLE4FH218587

5VCACLLE6FH218588

5VCACLLE8FH218589

5VCACLLE4FH218590

5VCACLLE6FH218591

5VCACLLE8FH218592

5VCACLLEXFH218593

5VCACLLE1FH218594

5VCACLLE3FH218595

5VCACRLE1FH218601

5VCACRLE3FH218602

5VCACRLE5FH218603

5VCACRLE7FH218604

5VCACRLE9FH218605

5VCACLLE6FH218610

5VCACLLE8FH218611

5VCACLLEXFH218612

5VCACLLE1FH218613

5VCACLLE3FH218614

5VCACLLE5FH218615

5VCACLLE7FH218616

5VCACSSF3FH218617

5VCACSLE7FH218626

5VCACLLE5FH218629

5VCACLLE1FH218630

5VCACLLE3FH218631

5VCACLLE2FH218636

5VCACLLE4FH218637

5VCACLLE6FH218638

5VCACLLE8FH218639

5VCACLLE4FH218640

5VCACLLE6FH218641

5VCACLLE8FH218642

5VCACLLEXFH218643

5VCACRLE8FH218644

5VCACRLEXFH218645

5VCACRLE1FH218646

5VCACRLE3FH218647

5VCACRLE5FH218648

5VCACLLE3FH218659

5VCACLLEXFH218660

5VCACLLE1FH218661

5VCACLLE3FH218662

5VCACLLE5FH218663

5VCACRLE3FH218664

5VCACRLE5FH218665

5VCACRLE7FH218666

5VCACRLE9FH218667

5VCACRLE0FH218668

5VCACLLE6FH218669

5VCACLLE2FH218670

5VCACLLE4FH218671

5VCACLLE6FH218672

5VCACLLE8FH218673

5VCACLLEXFH218674

5VCACLLE1FH218675

5VCACSSF8FH218676

5VCACSSF9FH218677

5VCACSSF1FH218678

5VCACSSF3FH218679

5VCACSSF9FH218680

5VCACSLE5FH218687

5VCACSLE7FH218688

5VCACLSF0FH218693

5VCACSLE2FH218694

5VCACSLE4FH218695

5VCACSLE6FH218696

5VCACSLE8FH218697

5VCACLSF3FH218736

5VCACLSF5FH218737

5VCACLSF7FH218738

5VCACSSF6FH218739

5VCACRLE6FH218755

5VCACRLE8FH218756

5VCACRLEXFH218757

5VCACRLE1FH218758

5VCACRLE3FH218759

5VCACRLEXFH218760

5VCACRLE1FH218761

5VCACRLE3FH218762

5VCACRLE5FH218763

5VCACRLE7FH218764

5VCACRLE9FH218765

5VCACRLE0FH218766

5VCACRLE2FH218767

5VCACRLE4FH218768

5VCACRLE6FH218769

5VCACRLE2FH218770

5VCACRLE4FH218771

5VCACRLE6FH218772

5VCACRLE8FH218773

5VCACRLEXFH218774

5VCACRLE1FH218775

5VCACRLE3FH218776

5VCACRLE5FH218777

5VCACRLE7FH218778

5VCACRLE9FH218779

5VCACRLE5FH218780

5VCACRLE7FH218781

5VCACRLE9FH218782

5VCACRLE0FH218783



# SAFETY RECALL BULLETIN

## NHTSA RECALL 16V-855, Transport Canada 2016-600

AUTOCAR, LLC SAFETY RECALL ACX-1606 -002

January, 2017

5VCACLLE6FH218784	5VCACDLE9FH218896	5VCACLSF2FH218940	5VCACDLE0FH219077
5VCACSLE5FH218785	5VCACDLE0FH218897	5VCACLSF4FH218941	5VCACDLE2FH219078
5VCACLLEXFH218786	5VCACDLE2FH218898	5VCACLSF6FH218942	5VCACDLE4FH219079
5VCACLLE1FH218787	5VCACDLE4FH218899	5VCACLSF8FH218943	5VCACDLE0FH219080
5VCACLLE1FH218840	5VCACDLE7FH218900	5VCACLLE2FH218944	5VCACLLEXFH219081
5VCACLLE3FH218841	5VCACDLE9FH218901	5VCACLLE4FH218945	5VCACLLE1FH219082
5VCACLLE5FH218842	5VCACDLE0FH218902	5VCACLLE6FH218946	5VCACLSF1FH219111
5VCACDLEXFH218843	5VCACDLE2FH218903	5VCACDLE0FH218947	5VCACLSF3FH219112
5VCACDLE0FH218852	5VCACDLE4FH218904	5VCACDLE2FH218948	5VCACLSF5FH219113
5VCACDSFXFH218853	5VCACDLE6FH218905	5VCACDLE4FH218949	5VCACLSF7FH219114
5VCACLLE7FH218857	5VCACDLE8FH218906	5VCACDLE0FH218950	5VCACLSF9FH219115
5VCACLSF6FH218858	5VCACDLEXFH218907	5VCACDLE2FH218951	5VCACLSF0FH219116
5VCACRLE7FH218859	5VCACDLE1FH218908	5VCACDLE4FH218952	5VCACLSF2FH219117
5VCACRLE3FH218860	5VCACDLE3FH218909	5VCACRLEXFH218953	5VCACLSF4FH219118
5VCACRLE5FH218861	5VCACDLEXFH218910	5VCACLLE7FH218955	5VCACLSF6FH219119
5VCACRLE7FH218862	5VCACDLE1FH218911	5VCACRLE8FH219020	5VCACLSF2FH219120
5VCACRLE9FH218863	5VCACDLE3FH218912	5VCACRLEXFH219021	5VCACLSF4FH219121
5VCACRLE0FH218864	5VCACDLE5FH218913	5VCACRLE1FH219022	5VCACLLE0FH219123
5VCACLLE6FH218865	5VCACDLE7FH218914	5VCACDLEXFH219023	5VCACSLE7FH219145
5VCACLLE8FH218866	5VCACDLE9FH218915	5VCACSLE6FH219024	5VCACLLE1FH219146
5VCACSLE8FH218876	5VCACDLE2FH218917	5VCACDLE3FH219025	5VCACLLE3FH219147
5VCACRLE0FH218878	5VCACDLE4FH218918	5VCACDLE9FH219031	5VCA3SLE2FH219148
5VCACRLE2FH218879	5VCACDLE6FH218919	5VCACDLE0FH219032	5VCACLLE5FH219151
5VCACRLE9FH218880	5VCACDLE2FH218920	5VCACLLEXFH219033	5VCACLLE7FH219152
5VCACRLE0FH218881	5VCACRLE7FH218926	5VCACDLE7FH219044	5VCACLLE9FH219153
5VCACRLE2FH218882	5VCACRLE9FH218927	5VCACDLE9FH219045	5VCACLLE0FH219154
5VCACRLE4FH218883	5VCACRLE0FH218928	5VCACDLE0FH219046	5VCACLLE2FH219155
5VCACRLE6FH218884	5VCACRLE2FH218929	5VCACDLE2FH219047	5VCACSLE9FH219163
5VCACRLE8FH218885	5VCACRLE9FH218930	5VCACDLE4FH219048	5VCACSLE0FH219164
5VCACRLEXFH218886	5VCACRLE0FH218931	5VCACDLE6FH219049	5VCACSLE2FH219165
5VCACRLE1FH218887	5VCACRLE2FH218932	5VCACDLE2FH219050	5VCACLLE7FH219166
5VCACRLE3FH218888	5VCACRLE4FH218933	5VCACDLE4FH219051	5VCACDSF0FH219168
5VCACRLE5FH218889	5VCACLLEXFH218934	5VCACRLE1FH219070	5VCACDSF2FH219169
5VCACLLE7FH218891	5VCACLLE1FH218935	5VCACDLE5FH219074	5VCACDSF2FH219172
5VCACDLE5FH218894	5VCACRSF0FH218938	5VCACDLE7FH219075	5VCACDSF4FH219173
5VCACDLE7FH218895	5VCACLSF6FH218939	5VCACDLE9FH219076	5VCACDSF6FH219174



# SAFETY RECALL BULLETIN

## NHTSA RECALL 16V-855, Transport Canada 2016-600

AUTOCAR, LLC SAFETY RECALL ACX-1606 -002

January, 2017

5VCACDSF8FH219175

5VCACLLE3FH219195

5VCACLLE5FH219196

5VCACDLE3FH219218

5VCACDLE5FH219219

5VCACDLE1FH219220

5VCACDLE3FH219221

5VCACDLE5FH219222

5VCACDLE7FH219223

5VCACDLE9FH219224

5VCACDLE0FH219225

5VCACDLE2FH219226

5VCACDLE4FH219227

5VCACDLE6FH219228

5VCACLLE5FH219229

5VCACLLE1FH219230

5VCACLLE3FH219231

5VCACLLE5FH219232

5VCACLLE7FH219233

5VCACLLE9FH219234

5VCACLLE0FH219235

5VCACLLE2FH219236

5VCACLLE4FH219237

5VCACLLE6FH219238

5VCACSLE5FH219239

5VCACSLE1FH219240

5VCACSLE3FH219241

5VCACLLE8FH219242

5VCACLLEXFH219243

5VCACLLE1FH219244

5VCACLLE3FH219245

5VCACLLE5FH219246

5VCACRLE6FH219257

5VCACRLE8FH219258

5VCACSLE1FH219268

5VCACLLE6FH219269

5VCACLLE2FH219270

5VCACLLE4FH219271

5VCACLSF0FH219276

5VCACLSF2FH219277

5VCACLLE7FH219278

5VCACLLE9FH219279

5VCACLLE5FH219280

5VCACDLEXFH219281

5VCACDLE1FH219282

5VCACDLE3FH219283

5VCACDLE5FH219284

5VCACLLE6FH219286

5VCACLLE8FH219287

5VCACLLEXFH219288

5VCACLLE1FH219289

5VCACSLE5FH219290

5VCACDLE2FH219310

5VCACDLE4FH219311

5VCACDLE6FH219312

5VCACDLE8FH219313

5VCACDLEXFH219314

5VCACDLE1FH219315

5VCACDLE3FH219316

5VCACDLE5FH219317

5VCACDLE7FH219318

5VCACDLE9FH219319

5VCACDLE5FH219320

5VCACDLE7FH219321

5VCACDLE9FH219322

5VCACDLE0FH219323

5VCACDLE2FH219324

5VCACDLE4FH219325

5VCACDLE6FH219326

5VCACDLE8FH219327

5VCACLLE7FH219328

5VCACLLE9FH219329

5VCACLLE5FH219330

5VCACLLE7FH219331

5VCACLLE9FH219332

5VCACLLE0FH219333

5VCACLLE2FH219334

5VCACLLE4FH219335

5VCACLLE6FH219336

5VCACLLE8FH219337

5VCACLLEXFH219338

5VCACLLE1FH219339

5VCACDLEXFH219376

5VCACDLE1FH219377

5VCACLLE0FH219378

5VCACLSF8FH219414

5VCACLSFXFH219415

5VCACLSF1FH219416

5VCACLSF3FH219417

5VCACLSF5FH219418

5VCACLSF7FH219419

5VCACLSF3FH219420

5VCACLSF5FH219421

5VCACLSF7FH219422

5VCACLSF9FH219423

5VCACLSF0FH219424

5VCACLSF2FH219425

5VCACLSF4FH219426

5VCACLSF6FH219427

5VCACLSF8FH219428

5VCACLLE2FH219429

5VCACDLE3FH219431

5VCACRLE9FH219432

5VCACRLE0FH219433

5VCACRLE2FH219434

5VCACLLE4FH219450

5VCACLLE6FH219451

5VCA3RLE4FH219452

5VCACLLE1FH219454

5VCACDLE9FH219482

5VCACDLE0FH219483

5VCACLLEXFH219484

5VCACLLE1FH219485

5VCACDLE6FH219486

5VCACDLE8FH219487

5VCACDLEXFH219488

5VCACSSF3FH219489

5VCACSSFxFH219490

5VCACSSF1FH219491

5VCACSSF3FH219492

5VCACSSF5FH219493

5VCACSSF7FH219494

5VCACSSF9FH219495

5VCACSSF0FH219496

5VCACSSF2FH219497

5VCACSSF4FH219498

5VCACSSF6FH219499

5VCACSSF9FH219500

5VCACSSF0FH219501

5VCACSSF2FH219502

5VCACRLE6FH219503

5VCA3LLE1FH219504

5VCA3LLE3FH219505

5VCA3LLE5FH219506

5VCA3LLE7FH219507

5VCA3LLE9FH219508

5VCA3LLE0FH219509

5VCA3LLE7FH219510

5VCACDLE5FH219513

5VCACDLE7FH219514

5VCACRLEXFH219519

5VCACRLE6FH219520

5VCACRLE8FH219521

5VCACLLE6FH219529



# SAFETY RECALL BULLETIN

## NHTSA RECALL 16V-855, Transport Canada 2016-600

AUTOCAR, LLC SAFETY RECALL ACX-1606 -002

January, 2017

5VCACLLE2FH219530	5VCACRLEXFH219648	5VCACSLE0FH219696	5VCACLLE3FH219732
5VCACSLE3FH219532	5VCACRLE1FH219649	5VCACSLE2FH219697	5VCACLLE5FH219733
5VCACSLE5FH219533	5VCACRLE8FH219650	5VCACSLE4FH219698	5VCACLLE7FH219734
5VCACSLE7FH219534	5VCACRLEXFH219651	5VCACSLE6FH219699	5VCACLLE9FH219735
5VCACSLE9FH219535	5VCACRLE3FH219653	5VCACSLE9FH219700	5VCACLLE0FH219736
5VCACSLE0FH219536	5VCACSLE0FH219665	5VCACSLE0FH219701	5VCACLLE2FH219737
5VCACLLE9FH219539	5VCACSLE2FH219666	5VCACSLE2FH219702	5VCACLLE4FH219738
5VCACLLE5FH219540	5VCACSLE4FH219667	5VCACSLE4FH219703	5VCACLLE6FH219739
5VCACLLE7FH219541	5VCACSLE6FH219668	5VCACSLE6FH219704	5VCACLLE2FH219740
5VCACLLE9FH219542	5VCACSLE8FH219669	5VCACSLE8FH219705	5VCACLLE4FH219741
5VCACLLE0FH219543	5VCACSLE4FH219670	5VCACSLEXFH219706	5VCACLLE6FH219742
5VCACLSF8FH219557	5VCACSLE6FH219671	5VCACSLE1FH219707	5VCACLLE8FH219743
5VCACSSF7FH219558	5VCACSLE8FH219672	5VCACSLE3FH219708	5VCACLLEXFH219744
5VCACSSF9FH219559	5VCACSLEXFH219673	5VCACSLE5FH219709	5VCACLLE1FH219745
5VCACLLE2FH219561	5VCACSLE1FH219674	5VCACSLE1FH219710	5VCACLLE3FH219746
5VCACLLE4FH219562	5VCACSLE3FH219675	5VCACSLE3FH219711	5VCACLLE5FH219747
5VCACLLE6FH219563	5VCACSLE5FH219676	5VCACSLE5FH219712	5VCACLLE7FH219748
5VCACSLE5FH219564	5VCACSLE7FH219677	5VCACSLE7FH219713	5VCACLLE8FH219757
5VCACSLE7FH219565	5VCACSLE9FH219678	5VCACSLE9FH219714	5VCACLLEXFH219758
5VCACSLE9FH219566	5VCACSLE0FH219679	5VCACSLE0FH219715	5VCACLLE1FH219759
5VCACSLE0FH219567	5VCACSLE7FH219680	5VCACSLE2FH219716	5VCACLLE7FH219765
5VCACSLE2FH219568	5VCACSLE9FH219681	5VCACSLE4FH219717	5VCACLLE0FH219767
5VCACSLE4FH219569	5VCACSLE0FH219682	5VCACSLE6FH219718	5VCACLLE2FH219768
5VCACSLE0FH219570	5VCACSLE2FH219683	5VCACSLE8FH219719	5VCACDLE7FH219769
5VCACSLE2FH219571	5VCACSLE4FH219684	5VCACSLE4FH219720	5VCACDLE3FH219770
5VCACSLE4FH219572	5VCACSLE6FH219685	5VCACSLE6FH219721	5VCACRLE9FH219771
5VCACSLE6FH219573	5VCACSLE8FH219686	5VCACSLE8FH219722	5VCACRLE0FH219772
5VCACLLE0FH219574	5VCACSLEXFH219687	5VCACSLEXFH219723	5VCACRLE2FH219773
5VCACLLE2FH219575	5VCACSLE1FH219688	5VCACSLE1FH219724	5VCACRLE4FH219774
5VCACLLE4FH219576	5VCACSLE3FH219689	5VCACSLE3FH219725	5VCACRLE6FH219775
5VCA3LLE8FH219581	5VCACSLEXFH219690	5VCACSLE5FH219726	5VCACRLE8FH219776
5VCA3LLEXFH219582	5VCACSLE1FH219691	5VCACSLE7FH219727	5VCACRLEXFH219777
5VCA3LLE1FH219583	5VCACSLE3FH219692	5VCACSLE9FH219728	5VCACRLE1FH219778
5VCA3LLE3FH219584	5VCACSLE5FH219693	5VCACSLE0FH219729	5VCACRLE3FH219779
5VCA3LLE5FH219585	5VCACSLE7FH219694	5VCACSLE7FH219730	5VCACRLEXFH219780
5VCA3LLE2FH219599	5VCACSLE9FH219695	5VCACLLE1FH219731	5VCACRLE1FH219781



# SAFETY RECALL BULLETIN

## NHTSA RECALL 16V-855, Transport Canada 2016-600

AUTOCAR, LLC SAFETY RECALL ACX-1606 -002

January, 2017

5VCACRLE3FH219782	5VCACLE9FH219878	5VCA3DLE0FH219936	5VCACLE5GH220074
5VCACRLE5FH219783	5VCACLE0FH219879	5VCA3DLE2FH219937	5VCACLE7GH220075
5VCACRLE7FH219784	5VCACLSFXFH219883	5VCACLE1FH219938	5VCACLE9GH220076
5VCACRLE9FH219785	5VCACLSF1FH219884	5VCACLE3FH219939	5VCACLE0GH220077
5VCACRLE0FH219786	5VCACLSF3FH219885	5VCACLEXFH219940	5VCACLE2GH220078
5VCACRLE2FH219787	5VCACLSF5FH219886	5VCACLE1FH219941	5VCACLE4GH220079
5VCACRLE4FH219788	5VCACLSF7FH219887	5VCACSLE7FH219999	5VCACLE0GH220080
5VCACRLE6FH219789	5VCACLSF9FH219888	5VCACSLE8FH220000	5VCACLE2GH220081
5VCACRLE2FH219790	5VCACLSF0FH219889	5VCACSLEXFH220001	5VCACLE4GH220082
5VCACRLE4FH219791	5VCACLSF7FH219890	5VCACLE4FH220002	5VCACLE6GH220083
5VCACRLE6FH219792	5VCACLSF9FH219891	5VCACLE6FH220003	5VCACLE8GH220084
5VCACRLE8FH219793	5VCACSLE6FH219895	5VCACRLE4FH220004	5VCACLEXGH220085
5VCACRLEXFH219794	5VCACRLE7FH219901	5VCACRLE6FH220005	5VCACLE1GH220086
5VCACRLE1FH219795	5VCACLE2FH219902	5VCACRLE8FH220006	5VCACLE3GH220087
5VCACDLE4FH219809	5VCACRLE0FH219903	5VCACRLEXFH220007	5VCACLE3GH220106
5VCACDLE0FH219810	5VCACLSF6FH219914	5VCACSSF8GH220008	5VCACLE5GH220107
5VCACDLE2FH219811	5VCACLSF8FH219915	5VCACRLEXFH220038	5VCA3SLE4GH220108
5VCACDLE4FH219812	5VCACLSFXFH219916	5VCACLE3GH220042	5VCA3SLE6GH220109
5VCACDLE6FH219813	5VCACLSF1FH219917	5VCACLE3GH220056	5VCA3SLE2GH220110
5VCACSSF7FH219818	5VCACLSF3FH219918	5VCACLE5GH220057	5VCA3SLE4GH220111
5VCACSSF9FH219819	5VCACLSF5FH219919	5VCACLE7GH220058	5VCA3SLE6GH220112
5VCACSSF5FH219820	5VCACLE4FH219920	5VCACLE9GH220059	5VCA3SLE8GH220113
5VCACSSF7FH219821	5VCACRLE4FH219922	5VCACLE5GH220060	5VCACLE9GH220126
5VCACSSF9FH219822	5VCACRLE6FH219923	5VCACDLEXGH220061	5VCACLE0GH220127
5VCACRLEXFH219830	5VCACRLE8FH219924	5VCACDLE1GH220062	5VCACLE2GH220128
5VCACRLE1FH219831	5VCACRLEXFH219925	5VCACDLE3GH220063	5VCACSLE1GH220129
5VCACRLE3FH219832	5VCACRLE1FH219926	5VCACDLE5GH220064	5VCACSLE8GH220130
5VCACRLE5FH219833	5VCACRLE3FH219927	5VCACDLE7GH220065	5VCACSLEXGH220131
5VCACLE2FH219835	5VCACRLE5FH219928	5VCACDLE9GH220066	5VCACSLE1GH220132
5VCACRLE8FH219843	5VCACDLE3FH219929	5VCACDLE0GH220067	5VCACSLE3GH220133
5VCACRLEXFH219844	5VCACDLEXFH219930	5VCACDLE2GH220068	5VCACSLE5GH220134
5VCACRLE1FH219845	5VCACDLE1FH219931	5VCACLE1GH220069	5VCACSLE7GH220135
5VCACRLE3FH219846	5VCACDLE3FH219932	5VCACLE8GH220070	5VCACSLE9GH220136
5VCACRLE5FH219847	5VCACDLE5FH219933	5VCACLEXGH220071	5VCACSLE0GH220137
5VCACRLE7FH219848	5VCACDLE7FH219934	5VCACLE1GH220072	5VCACSLE2GH220138
5VCACRLE9FH219849	5VCACDLE9FH219935	5VCACLE3GH220073	5VCACSLE4GH220139



# SAFETY RECALL BULLETIN

## NHTSA RECALL 16V-855, Transport Canada 2016-600

AUTOCAR, LLC SAFETY RECALL ACX-1606 -002

January, 2017

5VCACSLE0GH220140	5VCACSLE6GH220269	5VCACDLE1GH220305	5VCACLLE0GH220354
5VCACSLE2GH220141	5VCACSLE2GH220270	5VCACDLE3GH220306	5VCACLSFXGH220355
5VCACSLE4GH220142	5VCACSLE4GH220271	5VCACLLE2GH220307	5VCACLSF1GH220356
5VCACSLE6GH220143	5VCACSLE6GH220272	5VCACLLE4GH220308	5VCACLLE6GH220357
5VCACSLE8GH220144	5VCACSLE8GH220273	5VCACLLE6GH220309	5VCACLLE8GH220361
5VCACSLEXGH220145	5VCACSLEXGH220274	5VCACLLE2GH220310	5VCACLLEXGH220362
5VCACSLE1GH220146	5VCACSLE1GH220275	5VCACLLE4GH220311	5VCACLLE1GH220363
5VCACSLE3GH220147	5VCACLLE6GH220276	5VCACLLE6GH220312	5VCACLLE3GH220364
5VCACLLE6GH220150	5VCACLLE8GH220277	5VCACLLE8GH220313	5VCACDLE5GH220369
5VCACLLE8GH220151	5VCACLLEXGH220278	5VCACLLEXGH220314	5VCACSLE6GH220370
5VCACLLEXGH220152	5VCACLLE1GH220279	5VCACRLE8GH220315	5VCACSLE8GH220371
5VCACLLE1GH220153	5VCACLLE8GH220280	5VCACRLEXGH220316	5VCACRLE4GH220375
5VCACLLE3GH220154	5VCACLLEXGH220281	5VCACRLE1GH220317	5VCACLLEXGH220376
5VCACLLE5GH220155	5VCACLLE1GH220282	5VCACRLE3GH220318	5VCACDLE4GH220377
5VCACDLE5GH220159	5VCACLLE3GH220283	5VCACRLE5GH220319	5VCACLLE1GH220380
5VCACDLE1GH220160	5VCACLLE5GH220284	5VCACRLE1GH220320	5VCACLLE2GH220386
5VCACDLE3GH220161	5VCACLLE7GH220285	5VCACRLE3GH220321	5VCACLLE4GH220387
5VCACDSFXGH220183	5VCACLLE9GH220286	5VCACRLE5GH220322	5VCACLLE7GH220397
5VCACDSF1GH220184	5VCACLLE0GH220287	5VCACRLE7GH220323	5VCACLLE9GH220398
5VCACDSF3GH220185	5VCACLLE2GH220288	5VCACRLE9GH220324	5VCACLLE0GH220399
5VCACDSF5GH220186	5VCACLLE4GH220289	5VCACRLE0GH220325	5VCACLLE3GH220400
5VCACDSF7GH220187	5VCACLLE0GH220290	5VCACRLE2GH220326	5VCACLLE5GH220401
5VCACLLE0GH220189	5VCACLLE2GH220291	5VCACRLE4GH220327	5VCACLLE7GH220402
5VCACLLE7GH220190	5VCACLLE4GH220292	5VCACRLE6GH220328	5VCACLLE9GH220403
5VCACLLE9GH220191	5VCACLLE6GH220293	5VCACLLE2GH220341	5VCACLLE6GH220407
5VCACDLE3GH220192	5VCACLLE8GH220294	5VCACLLE4GH220342	5VCACLLE8GH220408
5VCACLLE2GH220193	5VCACLLEXGH220295	5VCACLLE6GH220343	5VCACLLEXGH220409
5VCACSLE1GH220194	5VCACSSF6GH220296	5VCACLLE8GH220344	5VCACDLE4GH220413
5VCACLLE3GH220199	5VCACSLE0GH220297	5VCACLLEXGH220345	5VCACRLEXGH220414
5VCACLLE6GH220200	5VCACSLE2GH220298	5VCACLLE1GH220346	5VCACRLE1GH220415
5VCACRLE4GH220263	5VCACSLE4GH220299	5VCACRLEXGH220347	5VCACLLE7GH220416
5VCACSLE7GH220264	5VCACLLEXGH220300	5VCACRLE1GH220348	5VCACLLE0GH220418
5VCACSLE9GH220265	5VCACLLE1GH220301	5VCACRLE3GH220349	5VCACLLE2GH220419
5VCACSLE0GH220266	5VCACLLE3GH220302	5VCACRLEXGH220350	5VCACLLE9GH220420
5VCACSLE2GH220267	5VCACLLE5GH220303	5VCACRLE1GH220351	5VCACLLE0GH220421
5VCACSLE4GH220268	5VCACLLE7GH220304	5VCACLLE9GH220353	5VCACLLE2GH220422



# SAFETY RECALL BULLETIN

## NHTSA RECALL 16V-855, Transport Canada 2016-600

AUTOCAR, LLC SAFETY RECALL ACX-1606 -002

January, 2017

5VCACLE4GH220423

5VCACLE6GH220424

5VCACLE8GH220425

5VCACLEXGH220426

5VCACLE1GH220427

5VCACLE3GH220428

5VCACLE5GH220429

5VCACLE1GH220430

5VCACLSF0GH220431

5VCACLSF3GH220438

5VCACLSF5GH220439

5VCACLSF1GH220440

5VCACLSF3GH220441

5VCACLE2GH220453

5VCACSLE5GH220456

5VCACSLE7GH220457

5VCACLSF4GH220464

5VCACLSF6GH220465

5VCACRLE7GH220466

5VCACRLE9GH220467

5VCACRLE0GH220468

5VCACLSF3GH220469

5VCACLSFXGH220470

5VCACLSF1GH220471

5VCACLSF3GH220472

5VCACLSF5GH220473

5VCACLSF7GH220474

5VCACLSF9GH220475

5VCACLSF0GH220476

5VCACLSF2GH220477

5VCACLSF4GH220478

5VCACLSF6GH220479

5VCACLSF2GH220480

5VCACLSF4GH220481

5VCACLSF6GH220482

5VCACLSF8GH220483

5VCACLSFXGH220484

5VCACLSF1GH220485

5VCACLSF3GH220486

5VCACLSF5GH220487

5VCACLEXGH220488

5VCACLE1GH220489

5VCACSLE5GH220490

5VCA3RLE8GH220492

5VCACRLEXGH220493

5VCACRLE1GH220494

5VCACRLE3GH220495

5VCACRLE5GH220496

5VCACRLE7GH220497

5VCACRLE9GH220498

5VCACRLE0GH220499

5VCACRLE3GH220500

5VCACRLE5GH220501

5VCACRLE7GH220502

5VCACRLE9GH220503

5VCACRLE0GH220504

5VCACLSF7GH220510

5VCACRLEXGH220512

5VCACRLE1GH220513

5VCACSLE4GH220514

5VCACLE8GH220537

5VCACLEXGH220538

5VCACLE1GH220539

5VCACLE8GH220540

5VCACLEXGH220541

5VCACLE1GH220542

5VCACLE3GH220543

5VCACLE5GH220544

5VCACLE7GH220545

5VCACLE9GH220546

5VCACLE0GH220547

5VCACLE2GH220548

5VCACLE4GH220549

5VCACLE0GH220550

5VCACLE2GH220551

5VCACLE4GH220552

5VCACLE6GH220553

5VCACLE8GH220554

5VCACLEXGH220555

5VCACRLE8GH220556

5VCACRLEXGH220557

5VCACRLE1GH220558

5VCACLE7GH220559

5VCACLE0GH220564

5VCACLE2GH220565

5VCACLE4GH220566

5VCACLE6GH220567

5VCACLE8GH220568

5VCACLEXGH220569

5VCACLE6GH220570

5VCACLE8GH220571

5VCACLEXGH220572

5VCACLE1GH220573

5VCACLE3GH220574

5VCACLE5GH220575

5VCACLE7GH220576

5VCACLE9GH220577

5VCACSSF5GH220578

5VCACSSF7GH220579

5VCACSSF3GH220580

5VCACSSF4GH220586

5VCACDLE5GH220596

5VCACLE4GH220602

5VCACLE6GH220603

5VCACLE8GH220604

5VCACRLE6GH220605

5VCACLE1GH220606

5VCACLE3GH220607

5VCACDLEXGH220609

5VCACDLE6GH220610

5VCACDLE8GH220611

5VCACDLEXGH220612

5VCACDLE1GH220613

5VCACDLE3GH220614

5VCACDLE5GH220615

5VCACDLE7GH220616

5VCACDLE9GH220617

5VCA3DLE2GH220619

5VCA3DLE9GH220620

5VCACSLE5GH220621

5VCACDLE2GH220622

5VCACDLE4GH220623

5VCACDLE6GH220624

5VCACDLE8GH220625

5VCACLE9GH220627

5VCACLE0GH220628

5VCACLE2GH220629

5VCACLE9GH220630

5VCACLE0GH220631

5VCACLE2GH220632

5VCACLE4GH220633

5VCACLE6GH220634

5VCACSLE8GH220645

5VCACSLEXGH220646

5VCACSLE1GH220647

5VCACSLE3GH220648

5VCACSLE5GH220649

5VCACSLE1GH220650

5VCACDLE2GH220653

5VCACDLE4GH220654

5VCACDLE6GH220655

5VCACDLE8GH220656

5VCACDLEXGH220657

5VCACLE9GH220658



# SAFETY RECALL BULLETIN

## NHTSA RECALL 16V-855, Transport Canada 2016-600

AUTOCAR, LLC SAFETY RECALL ACX-1606 -002

January, 2017

5VCACLE9GH220661	5VACLSF5GH220814	5VACLSF4GH220920	5VCACSLE3GH220956
5VCACLE0GH220662	5VACLSF7GH220815	5VACLSF6GH220921	5VCACSLE5GH220957
5VCACLE2GH220663	5VACLSF9GH220816	5VACLSF8GH220922	5VCACDLE2GH220958
5VCACLE4GH220664	5VACLSF0GH220817	5VCACLE2GH220923	5VCACDLE4GH220959
5VCACLE6GH220665	5VACLSF2GH220818	5VCACLE4GH220924	5VCACDLE0GH220960
5VCACLE8GH220666	5VACLSF4GH220819	5VCACLE6GH220925	5VCACDLE2GH220961
5VCACLEXGH220667	5VACLSF0GH220820	5VCACLE8GH220926	5VCACDLE4GH220962
5VCACLE1GH220668	5VACLSF2GH220821	5VCACSLE7GH220927	5VCACDLE6GH220963
5VCACDLE2GH220670	5VACLSF4GH220822	5VCACSLE9GH220928	5VCACDLE8GH220964
5VCACDLE4GH220671	5VACLSF6GH220823	5VCACRLEXGH220929	5VCACDLEXGH220965
5VCACRLE2GH220696	5VACLSF8GH220824	5VCACSLE7GH220930	5VCACDLE1GH220966
5VCACLE0GH220726	5VACLSFXGH220825	5VCACSLE9GH220931	5VCACDLE3GH220967
5VCACLE2GH220727	5VACLSF1GH220826	5VCACSLE0GH220932	5VCACDLE5GH220968
5VCACLE4GH220728	5VACLSF3GH220827	5VCACSLE2GH220933	5VCACDLE7GH220969
5VCACLE6GH220729	5VACLSF5GH220828	5VCACLE7GH220934	5VCACDLE3GH220970
5VCACLE2GH220730	5VACLSF7GH220829	5VCACLE9GH220935	5VCACSSF7GH220971
5VCACLE4GH220731	5VACLSF3GH220830	5VCACLE0GH220936	5VCACSSF9GH220972
5VCACRLE1GH220737	5VACLSF5GH220831	5VCACLE2GH220937	5VCACSSF0GH220973
5VCACLE6GH220746	5VACLSF7GH220832	5VCACLE4GH220938	5VCACSSF2GH220974
5VCACLE8GH220747	5VACLSF9GH220833	5VCACLE6GH220939	5VCACSSF4GH220975
5VCACSSF4GH220748	5VACLSF0GH220834	5VCACLE2GH220940	5VCACSSF6GH220976
5VCACRLE7GH220788	5VCACSSF5GH220905	5VCACLE4GH220941	5VCACSSF8GH220977
5VCACRLE9GH220789	5VCACSSF7GH220906	5VCACLE6GH220942	5VCACSSF0GH220978
5VCACRLE5GH220790	5VCACSSF9GH220907	5VCACLE8GH220943	5VCACSSF1GH220979
5VCACRLE7GH220791	5VCACSSF0GH220908	5VCACLEXGH220944	5VCACSSF8GH220980
5VCACRLE9GH220792	5VCACSSF2GH220909	5VCACLE1GH220945	5VCACLE4GH220986
5VCACRLE0GH220793	5VCACSSF9GH220910	5VCACSLE0GH220946	5VCACLE3GH220994
5VCACSSF0GH220794	5VCACSSF0GH220911	5VCACSLE2GH220947	5VCACLE5GH220995
5VCACSSF2GH220795	5VCACSSF2GH220912	5VCACSLE4GH220948	5VCACLE7GH220996
5VCACSSF4GH220796	5VCACSSF4GH220913	5VCACSLE6GH220949	5VCACLE9GH220997
5VCACLE8GH220800	5VCACSSF6GH220914	5VCACSLE2GH220950	5VCACLE2GH220999
5VCACLEXGH220801	5VCACDLE6GH220915	5VCACSLE4GH220951	5VCACLE5GH221001
5VCACLE1GH220802	5VCACDLE8GH220916	5VCACSLE6GH220952	5VCACLE7GH221002
5VCACLE3GH220803	5VCACDLEXGH220917	5VCACSLE8GH220953	5VCACRSF1GH221073
5VCACDLE8GH220804	5VCACDLE1GH220918	5VCACSLEXGH220954	5VCACRSF3GH221074
5VCACLE6GH220813	5VACLSF8GH220919	5VCACSLE1GH220955	5VCA3RLE7GH221097



# SAFETY RECALL BULLETIN

## NHTSA RECALL 16V-855, Transport Canada 2016-600

AUTOCAR, LLC SAFETY RECALL ACX-1606 -002

January, 2017

5VCA3RLE9GH221098

5VCACLE7GH221100

5VCACLE9GH221101

5VCACLE0GH221102

5VCACLE2GH221103

5VCACLE6GH221105

5VCACLE8GH221106

5VCACDSFXGH221110

5VCACDSF1GH221111

5VCACDSF3GH221112

5VCACDSF5GH221113

5VCACDSF7GH221114

5VCACLS6GH221115

5VCACLS8GH221116

5VCACLSFXGH221117

5VCACLS1GH221118

5VCACLS3GH221119

5VCACLE9GH221132

5VCACLE0GH221133

5VCACLE2GH221134

5VCACRLE0GH221135

5VCACLS5GH221137

5VCACSSF2GH221140

5VCACSSF4GH221141

5VCACSSF6GH221142

5VCACSSF8GH221143

5VCACSSF9GH221144

5VCACSSF1GH221145

5VCACSSF3GH221146

5VCACLE3GH221157

5VCACLE5GH221158

5VCACLE7GH221159

5VCACLE3GH221160

5VCACLE5GH221161

5VCACLE7GH221162

5VCACSSF3GH221163

5VCACSSF5GH221164

5VCACSSF7GH221165

5VCACSSF9GH221166

5VCACLE6GH221167

5VCACLE8GH221168

5VCACLEXGH221169

5VCACLE6GH221170

5VCACLE8GH221171

5VCACLEXGH221172

5VCACLE1GH221173

5VCACLE3GH221174

5VCACLE5GH221175

5VCACLE7GH221176

5VCACLE9GH221177

5VCACLE0GH221178

5VCACLE2GH221179

5VCACLS6GH221180

5VCACLS8GH221181

5VCACLSFXGH221182

5VCACRLE1GH221239

5VCACLS6GH221258

5VCACLS8GH221259

5VCACSLE4GH221260

5VCACLE9GH221261

5VCACRLE9GH221263

5VCACRLE0GH221264

5VCACDLE9GH221265

5VCACDLE0GH221266

5VCACRLE9GH221277

5VCACRLE0GH221278

5VCACRLE2GH221279

5VCACRLE9GH221280

5VCACLE4GH221281

5VCACRLE8GH221285

5VCACRLEXGH221286

5VCACSLE4GH221288

5VCACSLE6GH221289

5VCACSLE2GH221290

5VCACRLE3GH221291

5VCACRLE5GH221292

5VCACRLE7GH221293

5VCACRLE9GH221294

5VCACRLE0GH221295

5VCACRLE2GH221296

5VCACRLE8GH221299

5VCACRLE0GH221300

5VCACRLE2GH221301

5VCACRLE4GH221302

5VCACRLE6GH221303

5VCACLE0GH221309

5VCACLE7GH221310

5VCACLE9GH221311

5VCACLE0GH221312

5VCACLE2GH221313

5VCACLE4GH221314

5VCACLE6GH221315

5VCACSLE1GH221331

5VCACSLE3GH221332

5VCACSLE2GH221337

5VCACLE7GH221338

5VCACLE9GH221339

5VCACSLE2GH221340

5VCACSLE4GH221341

5VCACSLE6GH221342

5VCACLE0GH221343

5VCACSLE1GH221345

5VCACSLE3GH221346

5VCACDLE2GH221348

5VCACSLE5GH221350

5VCACSLE7GH221351

5VCACDLE6GH221353

5VCACDLE8GH221354

5VCACDLEXGH221355

5VCACDLE1GH221356

5VCACDLE3GH221357

5VCACDLE5GH221358

5VCACDLE7GH221359

5VCACDLE3GH221360

5VCACDLE5GH221361

5VCACDLE7GH221362

5VCACDLE9GH221363

5VCACDLE0GH221364

5VCACDLE2GH221365

5VCACDLE4GH221366

5VCACSLE0GH221367

5VCACSLE2GH221368

5VCACSLE4GH221369

5VCACSLE0GH221370

5VCACSLE2GH221371

5VCACSLE4GH221372

5VCACSLE6GH221373

5VCACSLE8GH221374

5VCACSLEXGH221375

5VCACSLE1GH221376

5VCACSLE3GH221377

5VCACSLE5GH221378

5VCACSLE7GH221379

5VCACSLE3GH221380

5VCACLEXGH221382

5VCACLE1GH221383

5VCACLE3GH221384

5VCACLE5GH221385

5VCACLE7GH221386

5VCACRLE5GH221387

5VCACRLE7GH221388

5VCACRLE9GH221389

5VCACRLE5GH221390

5VCACRLE7GH221391



# SAFETY RECALL BULLETIN

## NHTSA RECALL 16V-855, Transport Canada 2016-600

AUTOCAR, LLC SAFETY RECALL ACX-1606 -002

January, 2017

5VCACRLE9GH221392	5VCACSLEXGH221456	5VCACLSF5GH221493	5VCACSLE4GH221601
5VCACSLE1GH221393	5VCACLLE4GH221457	5VCACLSF7GH221494	5VCACSLE6GH221602
5VCACDLE9GH221394	5VCACLLE6GH221458	5VCACLSF9GH221495	5VCACLLE0GH221603
5VCACLLE8GH221395	5VCACSSF9GH221460	5VCACLSF0GH221496	5VCACLLE2GH221604
5VCACLLEXGH221396	5VCACSSF0GH221461	5VCACLSF2GH221497	5VCACLLE5GH221645
5VCACLLE1GH221397	5VCACSSF2GH221462	5VCACLSF4GH221498	5VCACDLEXGH221646
5VCACSLE0GH221398	5VCACSSF4GH221463	5VCACLSF6GH221499	5VCACDLE1GH221647
5VCACSLE2GH221399	5VCACSSF6GH221464	5VCACLSF9GH221500	5VCACDLE3GH221648
5VCACSLE5GH221400	5VCACSSF8GH221465	5VCACLSF0GH221501	5VCACDLE5GH221649
5VCACSLE2GH221404	5VCACSSF9GH221466	5VCACLSF2GH221502	5VCACDLE1GH221650
5VCACSLE4GH221405	5VCACSSF1GH221467	5VCACLSF4GH221503	5VCACDLE3GH221651
5VCACLLE9GH221406	5VCACSSF3GH221468	5VCACLSF6GH221504	5VCACDLE5GH221652
5VCACLLE0GH221407	5VCACSSF5GH221469	5VCACLSF8GH221505	5VCACDLE7GH221653
5VCACDLE5GH221408	5VCACSSF1GH221470	5VCACDLE3GH221567	5VCACDLE9GH221654
5VCACDLE7GH221409	5VCACSSF3GH221471	5VCACDLE5GH221568	5VCACDLE0GH221655
5VCACDLE3GH221410	5VCACSLE8GH221472	5VCACDLE7GH221569	5VCACDLE2GH221656
5VCACDLE5GH221411	5VCACSLEXGH221473	5VCACDLE3GH221570	5VCACDLE4GH221657
5VCACDLE7GH221412	5VCACSSF9GH221474	5VCACLSF3GH221573	5VCACDLE6GH221658
5VCACDLE9GH221413	5VCACLSF3GH221475	5VCACDSF9GH221583	5VCACDLE8GH221659
5VCACDLE0GH221414	5VCACLSF5GH221476	5VCACDSF0GH221584	5VCACDLE4GH221660
5VCACDLE2GH221415	5VCACLSF7GH221477	5VCACDSF2GH221585	5VCACDLE6GH221661
5VCACDLE4GH221416	5VCACLSF9GH221478	5VCACDSF4GH221586	5VCACDLE8GH221662
5VCACDLE6GH221417	5VCACLSF0GH221479	5VCACDSF6GH221587	5VCACDLEXGH221663
5VCACDLE8GH221418	5VCACLSF7GH221480	5VCACDSF8GH221588	5VCACDLE1GH221664
5VCACDLEXGH221419	5VCACLSF9GH221481	5VCACDSFXGH221589	5VCACDLE3GH221665
5VCACDLE6GH221420	5VCACLSF0GH221482	5VCACDSF6GH221590	5VCACDLE5GH221666
5VCACSLE1GH221426	5VCACLSF2GH221483	5VCACDSF8GH221591	5VCACDLE7GH221667
5VCACSLE3GH221427	5VCACLSF4GH221484	5VCACDSFXGH221592	5VCACDLE9GH221668
5VCACSLE5GH221428	5VCACLSF6GH221485	5VCACDSF1GH221593	5VCACDLE0GH221669
5VCACLLE3GH221434	5VCACLSF8GH221486	5VCACDSF3GH221594	5VCACDLE7GH221670
5VCACLLE5GH221435	5VCACLSFXGH221487	5VCACRLE1GH221595	5VCACDLE9GH221671
5VCACLLE7GH221436	5VCACLSF1GH221488	5VCACRLE3GH221596	5VCACDLE0GH221672
5VCACLLE9GH221437	5VCACLSF3GH221489	5VCACSLE6GH221597	5VCACDLE2GH221673
5VCACLLE0GH221438	5VCACLSFXGH221490	5VCACSLE8GH221598	5VCACDLE4GH221674
5VCACSLE6GH221454	5VCACLSF1GH221491	5VCACSLEXGH221599	5VCACDLE6GH221675
5VCACSLE8GH221455	5VCACLSF3GH221492	5VCACSLE2GH221600	5VCACDLE8GH221676



# SAFETY RECALL BULLETIN

## NHTSA RECALL 16V-855, Transport Canada 2016-600

AUTOCAR, LLC SAFETY RECALL ACX-1606 -002

January, 2017

5VCACDLEXGH221677

5VCACDLE1GH221678

5VCACLLE1GH221688

5VCACLLE3GH221689

5VCACLLEXGH221690

5VCACLLE1GH221691

5VCACSLE0GH221692

5VCACSLE2GH221693

5VCACSLE4GH221694

5VCACSLE6GH221695

5VCACSLE8GH221696

5VCACSLEXGH221697

5VCACSLE1GH221698

5VCACLLE9GH221700

5VCACLLE0GH221701

5VCACRLE9GH221702

5VCACRLE0GH221703

5VCACRLE2GH221704

5VCACRLEXGH221711

5VCACRLE1GH221712

5VCACLSF4GH221713

5VCACLSF6GH221714

5VCACLSF8GH221715

5VCACRLE0GH221720

5VCACLSF3GH221721

5VCACLLE9GH221728

5VCACLLE0GH221729

5VCACLLE7GH221730

5VCACLLE9GH221731

5VCACLLE0GH221732

5VCACLLE2GH221733

5VCACLLE4GH221734

5VCACLLE6GH221735

5VCACLLE8GH221736

5VCACLLEXGH221737

5VCACLLE1GH221738

5VCACLLE3GH221739

5VCACLLEXGH221740

5VCACLLE1GH221741

5VCACLLE3GH221742

5VCACLLE5GH221743

5VCACLLE7GH221744

5VCACLLE9GH221745

5VCACLLE0GH221746

5VCACLLE2GH221747

5VCACLLE4GH221748

5VCACDLE5GH221750

5VCACDLE7GH221751

5VCACDLE9GH221752

5VCACDLE0GH221753

5VCACDLE2GH221754

5VCACLSF9GH221755

5VCACLSF0GH221756

5VCACLSF2GH221757

5VCACLSF4GH221758

5VCACLSF4GH221775

5VCACDLE1GH221776

5VCACDLE3GH221777

5VCACDLE5GH221778

5VCACDLE7GH221779

5VCACDLE3GH221780

5VCACDLE5GH221781

5VCACDLE7GH221782

5VCACDLE9GH221783

5VCACDLE0GH221784

5VCACDLE2GH221785

5VCACDLE4GH221786

5VCACDLE6GH221787

5VCACDLE8GH221788

5VCACLLE7GH221789

5VCACLLE3GH221790

5VCACLLE7GH221792

5VCACLLE9GH221793

5VCACDLE0GH221798

5VCACDLE2GH221799

5VCACDLE5GH221800

5VCACDLE7GH221801

5VCACDLE9GH221802

5VCACDLE0GH221803

5VCACDLE2GH221804

5VCACDLE4GH221805

5VCACDLE6GH221806

5VCACDLE8GH221807

5VCACDLEXGH221808

5VCACLLEXGH221902

5VCACLLE1GH221903

5VCACLLE3GH221904

5VCACRLE5GH221910

5VCACRLE7GH221911

5VCACRLE9GH221912

5VCACRLE0GH221913

5VCACSLE7GH221916

5VCACSLE9GH221917

5VCACRLEXGH221918

5VCACRLE1GH221919

5VCACRLE8GH221920

5VCACRLEXGH221921

5VCACRLE1GH221922

5VCACRLE3GH221923

5VCACLLE9GH221924

5VCACLLE0GH221925

5VCACLLE2GH221926

5VCACLLE4GH221927

5VCACLLE6GH221928

5VCACLLE8GH221929

5VCACLLE4GH221930

5VCACRLE2GH221931

5VCACRLE4GH221932

5VCACRLE6GH221933

5VCACRLE8GH221934

5VCACRLEXGH221935

5VCACLLE5GH221936

5VCACLLE7GH221937

5VCACLLE9GH221938

5VCACLLEXGH221950

5VCACLLE1GH221951

5VCACLLE3GH221952

5VCACLLE5GH221953

5VCACLLE7GH221954

5VCACLSFXGH221957

5VCACLSF1GH221958

5VCACLSF3GH221959

5VCACLSFXGH221960

5VCACLSF1GH221961

5VCACLSF3GH221962

5VCACLSF5GH221963

5VCACLSF7GH221964

5VCACLSF9GH221965

5VCACLSF0GH221966

5VCACLLE2GH221974

5VCACDLE7GH221975

5VCACDLE9GH221976

5VCACDLE0GH221977

5VCACRLE5GH222104

5VCACDLE3GH222105

5VCACDLE5GH222106

5VCACLSF1GH222110

5VCACLSF3GH222111

5VCACLLEXGH222113

5VCACLLE1GH222114

5VCACLLE3GH222115

5VCACLLE9GH222121

5VCACLLE6GH222139

5VCACLLE2GH222140



# SAFETY RECALL BULLETIN

## NHTSA RECALL 16V-855, Transport Canada 2016-600

AUTOCAR, LLC SAFETY RECALL ACX-1606 -002

January, 2017

5VCACLLEXGH222144	5VCACLLEXGH222225	5VCACDLE4GH222338	5VCACDLE3GH222461
5VCACLLE5GH222147	5VCACLLE1GH222226	5VCACDLE6GH222339	5VCACDLE5GH222462
5VCACSLE4GH222148	5VCACSLE0GH222227	5VCACDLE2GH222340	5VCACDLE7GH222463
5VCACSLE6GH222149	5VCACRLE3GH222229	5VCACDLE4GH222341	5VCACDLE9GH222464
5VCACLLE5GH222150	5VCACRLEXGH222230	5VCACLLE6GH222349	5VCACDLE0GH222465
5VCACLLE7GH222151	5VCACRLE1GH222231	5VCACLLE2GH222350	5VCACDLE2GH222466
5VCACLLE9GH222152	5VCACRLE3GH222232	5VCACLLE4GH222351	5VCACDLE4GH222467
5VCACLLE0GH222153	5VCACRLE5GH222233	5VCACSLE5GH222353	5VCACLLE5GH222472
5VCACLLE2GH222154	5VCACRLE7GH222234	5VCACDSF1GH222355	5VCACLSF3GH222481
5VCACLLE4GH222155	5VCACRLE9GH222235	5VCACRLEXGH222356	5VCACLSF5GH222482
5VCACLLE6GH222156	5VCACRLE0GH222236	5VCACRLE1GH222357	5VCACLSF7GH222483
5VCACLLE8GH222157	5VCACRLE2GH222237	5VCACRLE3GH222358	5VCACRLE7GH222492
5VCACLLE5GH222164	5VCACLSF5GH222238	5VCACRLE5GH222359	5VCACRLE9GH222493
5VCACLLE0GH222167	5VCACLSF7GH222239	5VCACSLE2GH222360	5VCACSSF9GH222494
5VCACLLE2GH222168	5VCACLSF3GH222240	5VCACSLE4GH222361	5VCACSSF0GH222495
5VCACLLE4GH222169	5VCACRLE4GH222241	5VCACSLE7GH222368	5VCACLLE8GH222496
5VCACLLE0GH222170	5VCACRLE6GH222242	5VCACSLE9GH222369	5VCACLLEXGH222497
5VCACLLE2GH222171	5VCACRLE8GH222243	5VCACSLE5GH222370	5VCACLLE1GH222498
5VCACLLE4GH222172	5VCACLLE3GH222244	5VCACSLE7GH222371	5VCA3RLE2GH222500
5VCACLLE6GH222173	5VCACLLE5GH222245	5VCACSLE9GH222372	5VCACLSF5GH222501
5VCACLLE8GH222174	5VCACLLE2GH222249	5VCACSLE0GH222373	5VCACLSF7GH222502
5VCACLLEXGH222175	5VCACLLE9GH222250	5VCACSLE2GH222374	5VCACLSF9GH222503
5VCACLLE1GH222176	5VCACLLE0GH222251	5VCACSLE4GH222375	5VCACLSF0GH222504
5VCACRLE7GH222184	5VCACLLE6GH222268	5VCACLLE5GH222410	5VCACRLE0GH222513
5VCACLLE6GH222190	5VCACLSF1GH222284	5VCACSLE1GH222415	5VCACRLE2GH222514
5VCACLLE8GH222191	5VCACLLE1GH222288	5VCACSLE3GH222416	5VCACRLE4GH222515
5VCACLLEXGH222192	5VCACLLE4GH222303	5VCACSLE5GH222417	5VCACRLE6GH222516
5VCACLLE1GH222193	5VCACDLE3GH222329	5VCACSLE7GH222418	5VCACRLE8GH222517
5VCACLLE3GH222194	5VCACDLEXGH222330	5VCA3RLE4GH222448	5VCACRLEXGH222518
5VCACLSF8GH222217	5VCACDLE1GH222331	5VCACRLE8GH222453	5VCACRLE1GH222519
5VCACLLE4GH222219	5VCACDLE3GH222332	5VCACLLE5GH222455	5VCACLSF4GH222523
5VCACLLE0GH222220	5VCACDLE5GH222333	5VCACDLEXGH222456	5VCACLSF6GH222524
5VCACLLE2GH222221	5VCACDLE7GH222334	5VCACDLE1GH222457	5VCACLSF8GH222525
5VCACRLE0GH222222	5VCACDLE9GH222335	5VCACDLE3GH222458	5VCACSLEXGH222526
5VCACRLE2GH222223	5VCACDLE0GH222336	5VCACDLE5GH222459	5VCACSLE1GH222527
5VCACRLE4GH222224	5VCACDLE2GH222337	5VCACDLE1GH222460	5VCACLLEXHH222579



# SAFETY RECALL BULLETIN

## NHTSA RECALL 16V-855, Transport Canada 2016-600

AUTOCAR, LLC SAFETY RECALL ACX-1606 -002

January, 2017

5VCACLE6HH222580	5VCACLE8HH222712	5VCACRSF7HH222813	5VCACLE9HH222931
5VCACLE8HH222581	5VCACDLE2HH222713	5VCACSLE2HH222845	5VCACLE0HH222932
5VCACLSF9HH222602	5VCACSLE0HH222715	5VCACSLE4HH222846	5VCACLSFXHH222933
5VCACLSF2HH222604	5VCACLE9HH222718	5VCACLSF6HH222847	5VCACLSF1HH222934
5VCACLSF4HH222605	5VCACRLE5HH222721	5VCACLSF8HH222848	5VCACLE2HH222978
5VCACLSF6HH222606	5VCACRLE7HH222722	5VCACLSFXHH222849	5VCACLE4HH222979
5VCACLSF8HH222607	5VCACRLE9HH222723	5VCACLSF6HH222850	5VCACLE0HH222980
5VCACLSFXHH222608	5VCACRLE0HH222724	5VCACLSF8HH222851	5VCACLE2HH222981
5VCACSSF9HH222609	5VCACRLE2HH222725	5VCACLSFXHH222852	5VCACSSF9HH222982
5VCACRLE9HH222611	5VCACRLE4HH222726	5VCACLSF1HH222853	5VCACSSF5HH222994
5VCACRLE0HH222612	5VCACRLE6HH222727	5VCACLSF3HH222854	5VCA3RLE4HH223018
5VCACRLE2HH222613	5VCACRLE8HH222728	5VCACLE7HH222880	5VCA3RLE6HH223019
5VCACRLE4HH222614	5VCACRLEXHH222729	5VCACLE9HH222881	5VCACRLE2HH223020
5VCACLEXHH222629	5VCACRLE6HH222730	5VCACLE0HH222882	5VCACRLE4HH223021
5VCACRSF5HH222633	5VCACLE1HH222731	5VCACLE2HH222883	5VCACRLE6HH223022
5VCACRSF7HH222634	5VCACDLE6HH222732	5VCACLE4HH222884	5VCACRLE8HH223023
5VCACLE5HH222635	5VCACLE5HH222733	5VCACLE6HH222885	5VCACRLEXHH223024
5VCACLE7HH222636	5VCACLE7HH222734	5VCACLE8HH222886	5VCACRLE1HH223025
5VCACLE9HH222637	5VCACRLEXHH222763	5VCACLEXHH222887	5VCACRLE3HH223026
5VCACLE0HH222638	5VCACRLE1HH222764	5VCACLE1HH222888	5VCACDLE1HH223030
5VCACLE2HH222639	5VCACRLE3HH222765	5VCACLE3HH222889	5VCACSSF9HH223033
5VCACLE9HH222640	5VCACRLE5HH222766	5VCACLEXHH222890	5VCACLE6HH223034
5VCACLE0HH222641	5VCACRLE7HH222767	5VCACLSF4HH222894	5VCACLE7HH223057
5VCACLE2HH222642	5VCACRLE9HH222768	5VCACLE9HH222895	5VCACLE9HH223058
5VCACLE4HH222643	5VCACLE0HH222770	5VCACLSF8HH222896	5VCACDLE3HH223059
5VCACLE6HH222644	5VCACDLE0HH222774	5VCACLSFXHH222897	5VCACDLEXHH223060
5VCA3RLE4HH222645	5VCACRLE8HH222776	5VCACSLE8HH222901	5VCACDLE1HH223061
5VCA3RLE6HH222646	5VCACLE0HH222803	5VCACLSF6HH222914	5VCACDLE3HH223062
5VCACSSF8HH222648	5VCACLE2HH222804	5VCACSLE8HH222915	5VCACDLE5HH223063
5VCACLE5HH222649	5VCACLE4HH222805	5VCACSLE1HH222917	5VCACDLE7HH223064
5VCACLSF9HH222650	5VCACLE6HH222806	5VCACSLE3HH222918	5VCACDLE9HH223065
5VCACLSF0HH222651	5VCACLE8HH222807	5VCACSLE2HH222926	5VCACDLE0HH223066
5VCACLSF2HH222652	5VCACLEXHH222808	5VCACLE7HH222927	5VCACSLE9HH223068
5VCACDLEXHH222653	5VCACLE1HH222809	5VCACLE9HH222928	5VCACDLE6HH223069
5VCACLE9HH222654	5VCACLE8HH222810	5VCACLE0HH222929	5VCACDLE2HH223070
5VCACLE6HH222711	5VCACLEXHH222811	5VCACLE7HH222930	5VCACSLEXHH223080



# SAFETY RECALL BULLETIN

## NHTSA RECALL 16V-855, Transport Canada 2016-600

AUTOCAR, LLC SAFETY RECALL ACX-1606 -002

January, 2017

5VCACSLE1HH223081

5VCACSLE3HH223082

5VCACSLE5HH223083

5VCACSLE7HH223084

5VCACSLE9HH223085

5VCACSLE0HH223086

5VCACSLE2HH223087

5VCACSLE4HH223107

5VCACRSF4HH223109

5VCACRSF0HH223110

5VCACLLE9HH223111

5VCACLLE4HH223162

5VCACLLE6HH223163

5VCACLLE3HH223167

5VCACLLE5HH223168

5VCACLLE7HH223169

5VCACLLE3HH223170

5VCA3LLE0HH223191

5VCA3LLE2HH223192

5VCA3LLE4HH223193

5VCA3LLE6HH223194

5VCA3LLE8HH223195

5VCA3LLEXHH223196

5VCA3LLE1HH223197

5VCACLSF2HH223235

5VCACLSF4HH223236

5VCACLSF6HH223237

5VCACLSF8HH223238

5VCACLSFXHH223239

5VCACLSF3HH223258

5VCACRLE2HH223275

5VCACLLE8HH223276

5VCACLLE3HH223279

5VCACLLEXHH223294

5VCACLLE1HH223295

5VCACLLE3HH223296

5VCACLLE5HH223297

5VCACRLE3HH223298

5VCACRLE5HH223299

5VCACRLE8HH223300

5VCACLSF6HH223321

5VCACLSF8HH223322

5VCACLSFXHH223323

5VCACLSF1HH223324

5VCACLSF3HH223325

5VCACLSF7HH223327

5VCACRSFXHH223339

5VCACRSF6HH223340

5VCACRSF8HH223341

5VCACRSFXHH223342

5VCACRSF1HH223343

5VCACRLE1HH223347

5VCACLLE7HH223348

5VCACLLE8HH223357

5VCACLSF7HH223358

5VCACLLE9HH223366

5VCACLLE0HH223367

5VCACSSF3HH223433

5VCACSSF5HH223434

5VCACSSF7HH223435

5VCACSSF9HH223436

5VCACSSF0HH223437

5VCACSSF2HH223438

5VCACSSF4HH223439

5VCACSSF0HH223440

5VCACSSF2HH223441

5VCACSSF4HH223442

5VCACSSF6HH223443

5VCACSSF8HH223444

5VCACSSFXXHH223445

5VCACSSF1HH223446

5VCACRLE3HH223463

5VCACLLE3HH223475

5VCACLLE0HH223479

5VCACLLE7HH223480

5VCACLSF6HH223481

5VCACRLE9HH223533