

J077NAS1

TECHNICAL BULLETIN

25 JAN 2017



© Jaguar Land Rover North America, LLC

NOTE: The information in Technical Bulletins is intended for use by trained, professional Technicians with the knowledge, tools, and equipment required to do the job properly and safely. It informs these Technicians of conditions that may occur on some vehicles, or provides information that could assist in proper vehicle service. The procedures should not be performed by 'do-it-yourselfers'. If you are not a Retailer, do not assume that a condition described affects your vehicle. Contact an authorized Jaguar service facility to determine whether this bulletin applies to a specific vehicle.

INFORMATION

SECTION:

310-01D

SUBJECT/CONCERN:

SAFETY RECALL: GTDi Underfloor Fuel Line Installation

AFFECTED VEHICLE RANGE:

| MODEL: | MODEL YEAR: | VIN: | ASSEMBLY PLANT: | APPLICABILITY: |
|---------------|--------------------|-------------------|------------------------|-----------------------|
| XF (X250) | 2013-2015 | S92130- U88784 | Castle Bromwich | GTDi 2.0L Petrol |

MARKETS:

NAS

CONDITION SUMMARY:**SITUATION:**

An issue has been identified on a limited number of vehicles within the listed Affected Vehicle Range where the installation of the fuel delivery line assembly does not meet the intended fuel delivery line clearances as stated in Jaguar Land Rover's design rule standard. This has resulted in insufficient clearance between the underfloor fuel delivery lines and vehicle under shield and body leading to a chafe condition.

ACTION:

Retailers are required to **HOLD** affected new vehicles that are within your control and refrain from releasing the vehicles for **new vehicle sale** pending completion of the Service Instruction detailed in this Technical Bulletin. Unsold vehicles should have this performed as part of the Pre-Delivery Inspection (PDI) process but **must** have it completed prior to vehicle handover to the customer.

Affected vehicles already in the hands of customers should be updated at the next available opportunity.

PARTS:

 **NOTE:**

Order only the expected percentage demand of parts identified.

| DESCRIPTION | PART NO. /SUNDRY CODE | QTY. /VALUE | EXPECTED % OF VEHICLES REQUIRING PARTS |
|-------------|--------------------------|----------------|---|
| Clip | T4N4300 | 1 | 100% |
| Clip | KDP109090 | 1 | 100% |
| Fuel pipe | C2Z23405 | 1 | 36% |

SPECIAL TOOLS:

Refer to Workshop Manual/Service Instruction for any required special tools.

WARRANTY:

 **NOTE:**

Check DDW to ensure that a vehicle is affected by this program prior to undertaking any rework action.

At the time of confirming a booking for vehicle repair, ensure that **all** outstanding Recalls and Service Actions are identified to ensure the correct parts are available and adequate workshop time is allocated for repairs to be completed at one visit.

Warranty claims must be submitted quoting the Program Code together with the relevant Option Code. SRO and parts information is included for information only. The Option Code(s) that allows for the drive in / drive out allowance can only be claimed if the vehicle is brought back into the workshop for this action alone to be undertaken.

Repair procedures are under constant review and therefore times / prices are subject to change; those quoted here must be taken as guidance only. Refer to TOPIx to obtain the latest repair time.

Warranty claims must be submitted or payment within 30 calendar days of completion of the repair.

| PROGRAM CODE | OPTION CODE | DESCRIPTION | SRO | TIME (HOURS) | PARTS /SUNDRY CODE | QTY. /VALUE |
|--------------|-------------|---|--------------------------|----------------|---|----------------------|
| J077 | B | Fuel Pipe and Additional Clips - Installation - Vehicles without anti-abrasive sleeve or with fuel pipe chafe /damage | 19.92.15 | 1.2 | T4N4300 KDP109090 C2Z23405 | 1 1 1 |
| J077 | C | Fuel Pipe and Additional Clips - Installation - Vehicles without anti-abrasive sleeve or with fuel pipe chafe /damage Drive in/drive out | 19.92.15 10.10.10 | 1.2 0.2 | T4N4300 KDP109090 C2Z23405 - | 1 1 1 - |
| J077 | D | Inspect fuel pipe; fit clips to fuel line - Vehicles with anti-abrasive sleeve and without fuel pipe chafe /damage | 19.92.11 | 0.4 | T4N4300 KDP109090 | 1 1 |
| J077 | E | Inspect fuel pipe; fit clips to fuel line - Vehicles with | 19.92.11 10.10.10 | 0.4 0.2 | T4N4300 KDP109090 - | 1 1 - |

| | | | | | | |
|--|--|--|--|--|--|--|
| | | anti-abrasive sleeve and without fuel pipe chafe /damage | | | | |
| | | Drive in/drive out | | | | |

Normal Warranty policies and procedures apply.

SERVICE INSTRUCTION:

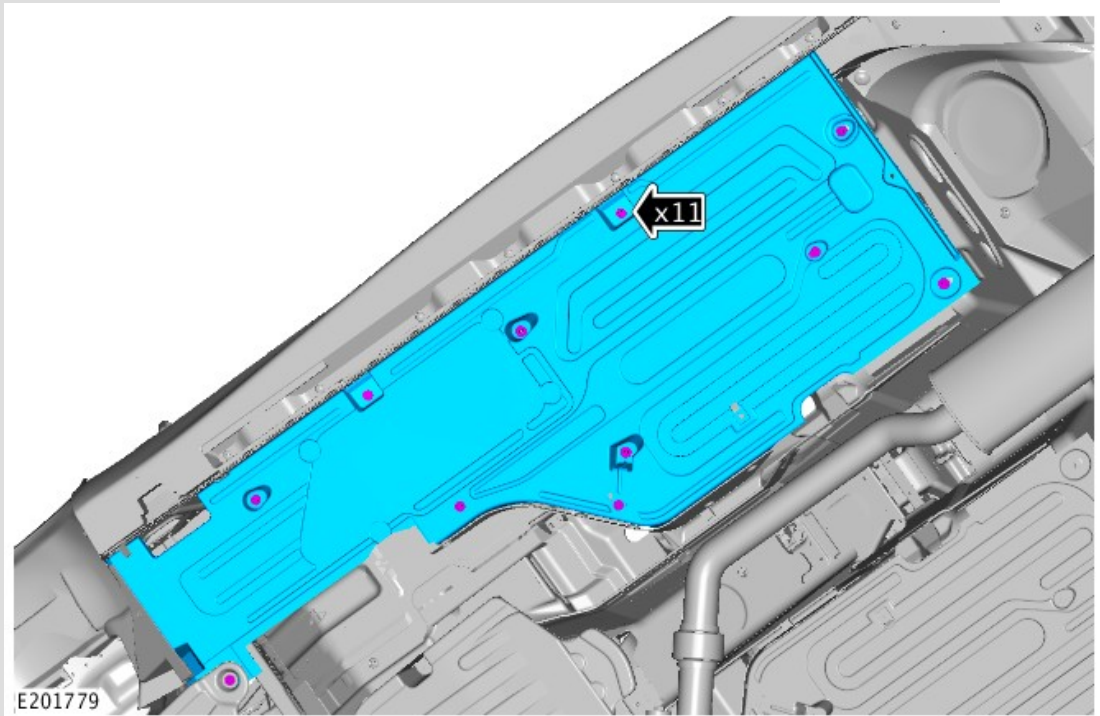
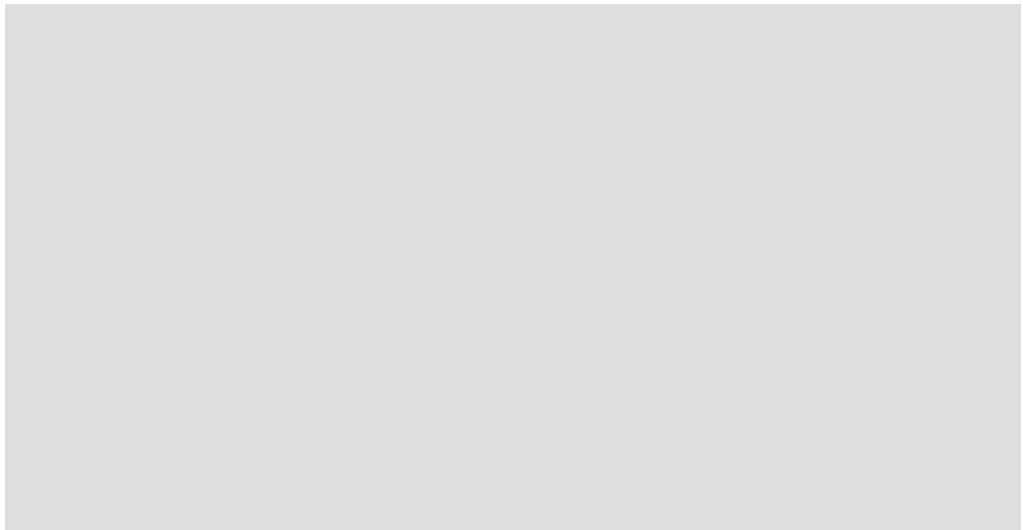


NOTE:

Removal steps in this procedure may contain installation details.

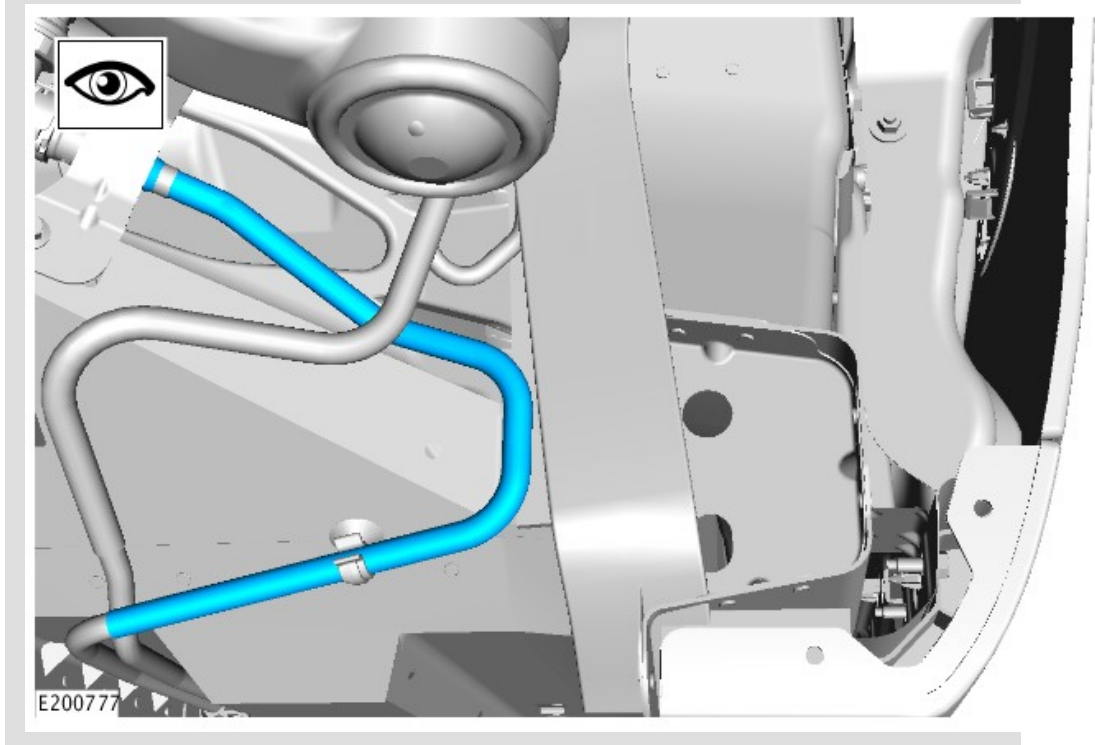
- 1 Disconnect the battery ground cable (see TOPIx Workshop Manual section 414-01: Battery, Mounting and Cables).
- 2 Remove the front left fender splash shield (see TOPIx Workshop Manual section 501-02: Front End Body Panels).
- 3 Remove the air deflector (see TOPIx Workshop Manual section 501-02: Front End Body Panels).

4



Remove the left undertray.

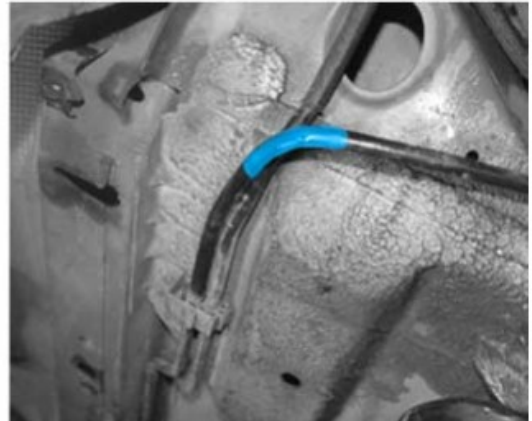
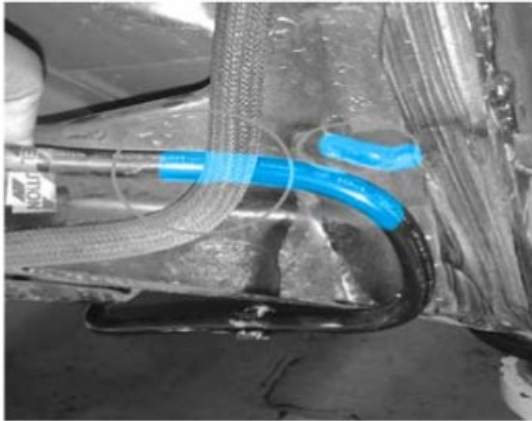
Remove the fasteners.



Inspect the fuel pipe to see if it has an anti-abrasive sleeve.

If the fuel pipe does not have an anti-abrasive sleeve, go to Step 7.

If the fuel pipe has an anti-abrasive sleeve, go to Step 6.



E201539

Check the fuel pipes for chafe/damage in the areas shown.

If the fuel pipe does not have chafe/damage, go to Step 9.

If the fuel pipe has chafe/damage, go to Step 7.

7



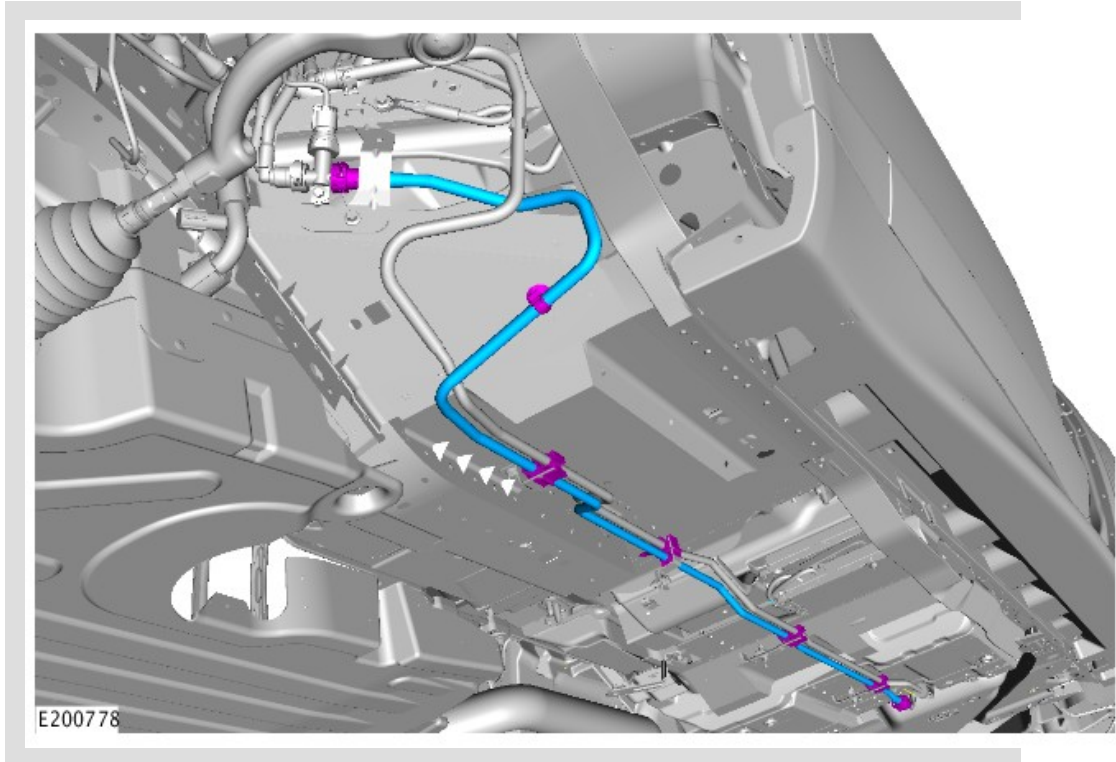
WARNINGS:

- **Wait a minimum of 1 minute after the engine has stopped before carrying out any repair to the fuel system.**
- **Avoid flames, sparks, or lighted substances.**



CAUTIONS:

- Be prepared to collect escaping fuel.
- Extreme cleanliness must be exercised when handling these components .



Disconnect the hard plastic return fuel line at both ends.

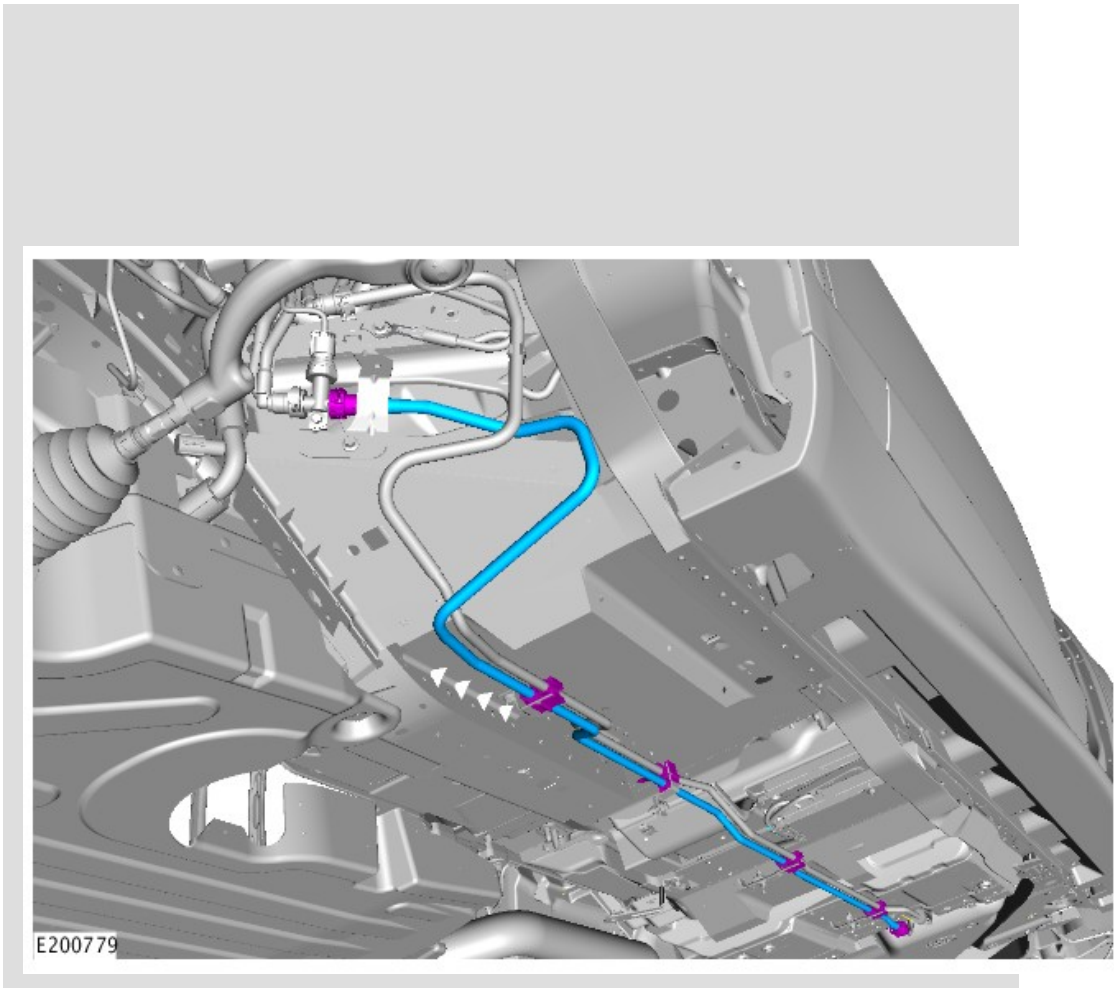
Disconnect the fuel pipe clips and remove the fuel pipe.

8



WARNING:

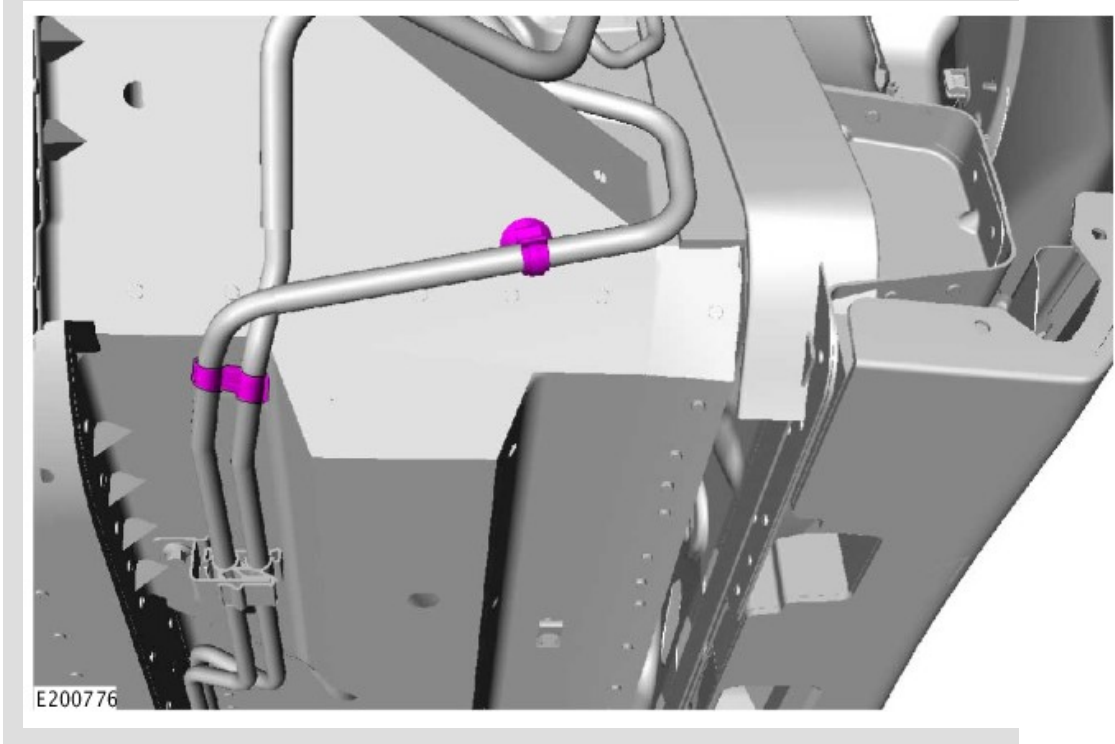
The hard plastic return fuel line must be connected correctly at both ends.



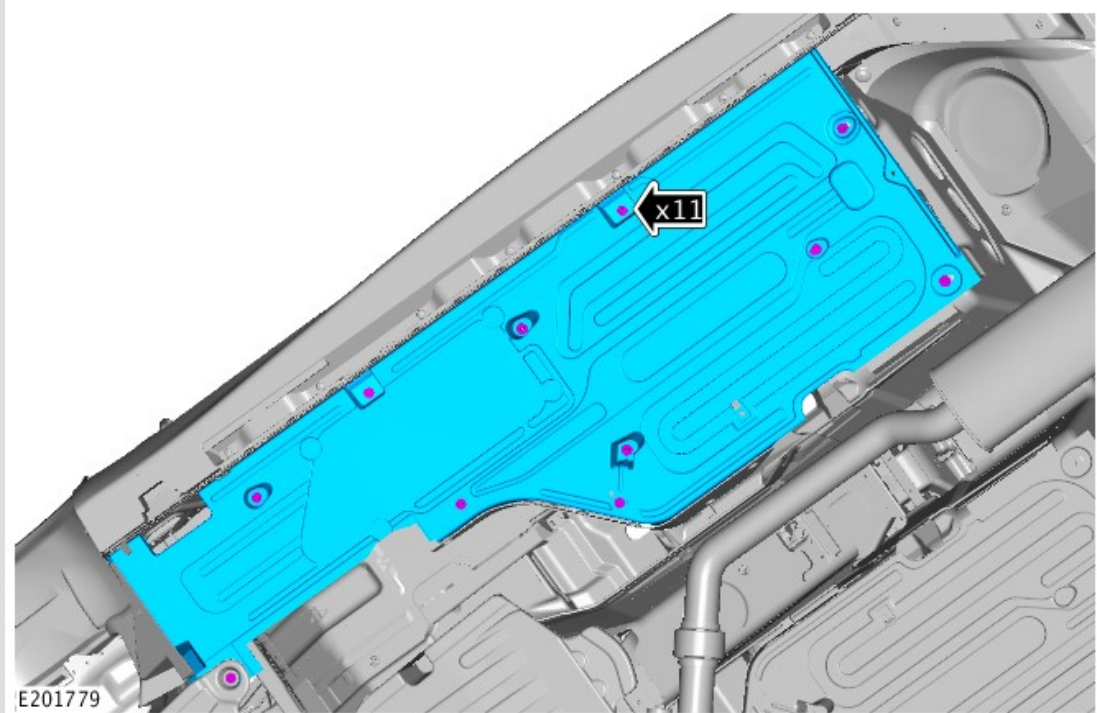
Install the new fuel pipe.

Install the fuel pipe clips as shown.

Connect the hard plastic return fuel line at both ends, making sure they are connected correctly.



Install the two new clips to the fuel line and vehicle body in the position shown.



Install the left undertray.

Install the fasteners.

Torque: **10 Nm** .

- 11 Install the air deflector (see TOPIx Workshop Manual section 501-02: Front End Body Panels).
- 12 Install the front left fender splash shield (see TOPIx Workshop Manual section 501-02: Front End Body Panels).
- 13 Connect the battery ground cable (see TOPIx Workshop Manual section 414-01: Battery, Mounting and Cables).

