

SAFETY ADVISORY # 16-261

Bullet and Passport AC Wiring

Keystone RV Company is conducting a voluntary RECALL notification campaign in accordance with the National Traffic and Motor Vehicle Safety Act. It has been decided the vehicles in this recall population may have wiring at the air conditioner that was not installed according to the air conditioner manufacturer's instructions. If the thermostat wires short together, there is an increased risk of damage or fire to the unit.

Models Included: 2011 – 2017 Bullet and Passport – All Models with Dometic LCD thermostats

Serial Number Range: Bullet – BD420838 - HD422085	Models
2011 BD420838 - BD422481	198RBS, 19FBPR, 215RBS, 230BHS, 246RBS, 250RKS, 278RLS, 27RBPR, 281BHS, 286QBS, 288RLS, 289RLS, 28RLPR, 294BHS, 29REPR, 31BHPR
2012 CD420000 - CD422802	198RBS, 19FBPR, 215RBS, 230BHS, 246RBS, 248RKS, 250RKS, 252FL, 260FB, 26BHPR, 278RLS, 27RBPR, 281BHS, 284RLS, 286QBS, 28RLPR, 294BHS, 29REPR, 29RTPR, 30RLPR, 31BHPR
2013 DD420000 - DD423528	19FBPR, 204RBS, 217RBS, 22RBPR, 230BHS, 241BHS, 246RBS, 248RKS, 252FL, 260FB, 26BHPR, 281BHS, 284RLS, 286QBS, 294BHS, 298BHS, 29RTPR, 30REPR, 30RLPR, 31BHPR, 32BHPR, 33BLPR
2014 ED420000 - ED425099	19FBPR, 204RBS, 207RBS, 217RBS, 22RBPR, 230BHS, 241BHS, 246RBS, 248RKS, 251RBS, 252BHS, 26RBPR, 272BHS, 281BHS, 284RLS, 285RLS, 286QBS, 287QBS, 298BHS, 29BHPR, 308BHS, 30REPR, 30RIPR, 30RLPR, 310BHS, 31BHPR, 32BHPR, 33BLPR, 34BHPR
2015 FA420453 - FD426374	19FBPR, 204RBS, 207RBS, 220RBI, 22RBPR, 230BHS, 243BHS, 248RKS, 251RBS, 252BHS, 269RLS, 26RBPR, 272BHS, 274BHS, 285RLS, 287QBS, 29BHPR, 308BHS, 30REPR, 30RIPR, 310BHS, 31BHPR, 32BHPR, 335BHS, 34BHPR
2016 GD420000 - GD426344	19FBPR, 220RBI, 22RBPR, 243BHS, 248RKS, 251RBS, 269RLS, 26RBPR, 272BHS, 274BHS, 287QBS, 29BHPR, 29RKPR, 308BHS, 30REPR, 30RIPR, 310BHS, 311BHS, 31BHPR, 335BHS, 34BHPR
2017 HD420278 - HD422085	19FBPR, 220RBI, 22RBPR, 243BHS, 248RKS, 2510BH, 251RBS, 26RBPR, 272BHS, 274BHS, 277BHS, 287QBS, 29RKPR, 308BHS, 30REPR, 30RIPR, 311BHS, 31BHPR, 330BHS, 335BHS, 34BHPR

Serial Number Range: Passport – BT411947 - HT412032	Models
2011 BT411947 - BT414404	238ML, 245RB, 250BH, 2510RB, 2590BH, 2650BH, 280BH, 2850RL, 285RL, 286RB, 290BH, 2910BH, 300BH, 3050BH, 3220BH
2012 CT410000 - CT413698	238ML, 245RB, 250BH, 2510RB, 252BH, 2650BH, 280BH, 2850RL, 2890RL, 2910BH, 3050BH, 3100RK, 3180RE, 3220BH, 5260RL, 5350BH
2013 DT410000 - DT414417	2300BH, 238ML, 23RB, 245RB, 2510RB, 252BH, 2650BH, 280BH, 2890RL, 28BH, 2910BH, 2920BH, 3050BH, 3100RK, 3180RE, 31RE, 3220BH, 32FB, 33BH, 5260RL, 5350BH
2014 ET410005 - ET414796	2200RB, 2250RB, 2300BH, 238ML, 23RB, 2400BH, 245RB, 2510RB, 252BH, 2650BH, 2770RB, 280BH, 2810BH, 2890RL, 28BH, 2910BH, 2920BH, 29BH, 30RL, 3180RE, 31RE, 3220BH, 3290BH, 32FB, 3320BH, 33BH
2015 FT410000 - FT415897	2200RB, 2250RB, 23RB, 2400BH, 245RB, 2510RB, 2650BH, 2670BH, 2770RB, 280BH, 2810BH, 2890RL, 2920BH, 29BH, 30RL, 3180RE, 31RE, 3220BH, 3290BH, 32FB, 3320BH, 33BH
2016 GT410000 - GT416793	175BH, 2250RB, 23RB, 2400BH, 2510RB, 2520RL, 2670BH, 2770RB, 27RB, 2810BH, 2890RL, 2920BH, 29BH, 31RE, 3220BH, 3290BH, 3320BH, 3350BH
2017 HT410035 - HT412032	175BH, 19RB, 23RB, 2400BH, 2510RB, 2520RL, 2670BH, 27RB, 2810BH, 2890RL, 2920BH, 29BH, 31RE, 3220BH, 3320BH, 3350BH

- Parts Required:** Bell Cap Connectors
Tools Required: Wire Crimpers

REPAIR INSTRUCTIONS

Step 1

Verify the positive wiring connections at the control box for the air conditioner are correct as indicated in diagram, Fig. 1.

There are 2 wires coming from the air conditioner control box that have identification tags. The other two wires will be a 14 gauge positive wire and 22 gauge thermostat wire. The wires should be connected as shown in the wiring diagram, Fig. 1, and Fig. 3.

Step 2

Remove bell cap or twist on connector where the positive wires that are tied together, Fig. 2, reconnect as indicated, Fig. 3.

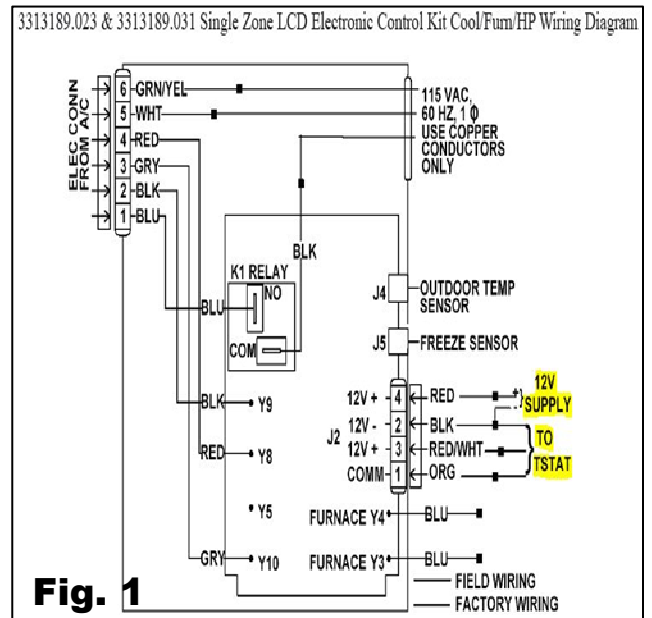


Fig. 1

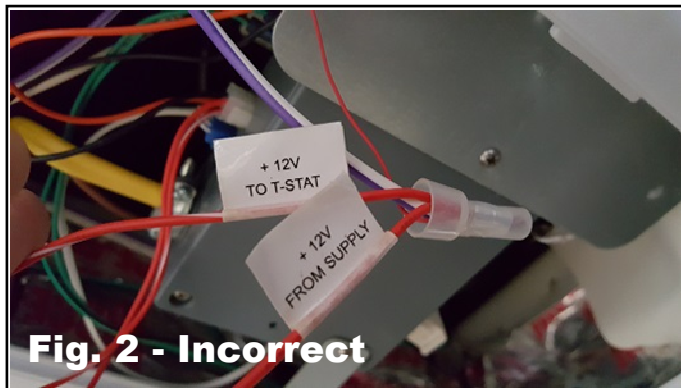


Fig. 2 - Incorrect

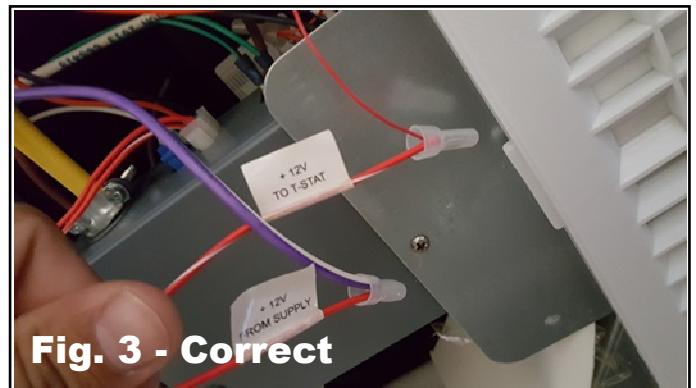


Fig. 3 - Correct

Step 3

Verify all connections are solid, no exposed bare wires.

WARRANTY REIMBURSEMENT

Submit the claim on Key Express using **Flat Rate Code # 7126142A** with Claim CCC noted as follows:

Complaint: “Wiring Correct” or “Wiring Incorrect”

Cause: Safety Advisory # 16-261

Correction: “Repaired Wiring” or “Wiring inspected and is correct”

The amount of time authorized for this repair is 0.5 hours.

Please call Keystone RV Customer Service if you have any questions:

Bullet – 866-273-1456 Passport – 866-273-1451