

Trailer Recall – Trailer Light Replacement Installation Instructions



Read the **ENTIRE INSTRUCTIONS** before installing these replacement taillights.

1. Disconnect the YELLOW, BROWN, and WHITE wires from the old Left Taillight that is marked “LH” and has a clear lens underneath. Unbolt that Taillight from the Trailer.
2. Mount the replacement Left Taillight, marked “LH” (with the clear lens underneath), where the old Left Taillight was mounted, above the License Plate Bracket with its side marker to the outside of the trailer.

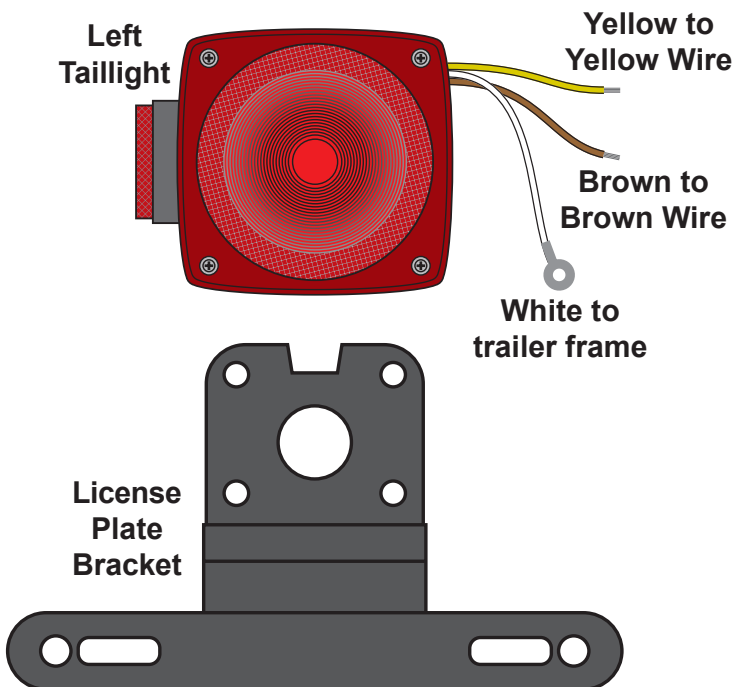


Figure A

3. Connect the YELLOW trailer wire to the yellow wire on the Left Taillight with a wire nut connector.
4. Connect the BROWN trailer wire to the brown wire on the Left Taillight with a wire nut connector.
5. Connect the WHITE wire from the Left Taillight to a bolt on the Trailer’s frame.
6. Disconnect the GREEN, BROWN, and WHITE wires from the old Right Taillight that is marked “RH”. Unbolt that Taillight from the Trailer.

7. Mount the replacement Right Taillight, marked “RH”, where the old Right Taillight was mounted with its side marker to the outside of the trailer.

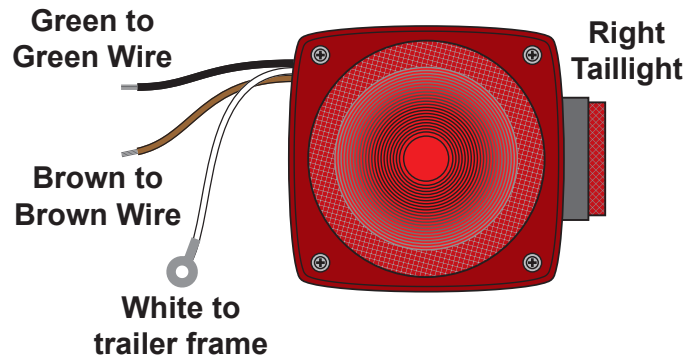


Figure B

8. Connect the GREEN trailer wire to the green wire on the Right Taillight with a wire nut connector.
9. Connect the BROWN trailer wire to the brown wire on the Right Taillight with a wire nut connector.
10. Connect the WHITE wire from the Right Taillight to a bolt on the Trailer’s frame.
11. Disconnect the BROWN wires from the Marker Lights. Unbolt the Marker Lights from the Trailer.
12. Mount each of the two Marker Lights to each side of the trailer, as shown below. Connect each wire from the Marker Lights to the BROWN wire on each half of the Y-Harness.

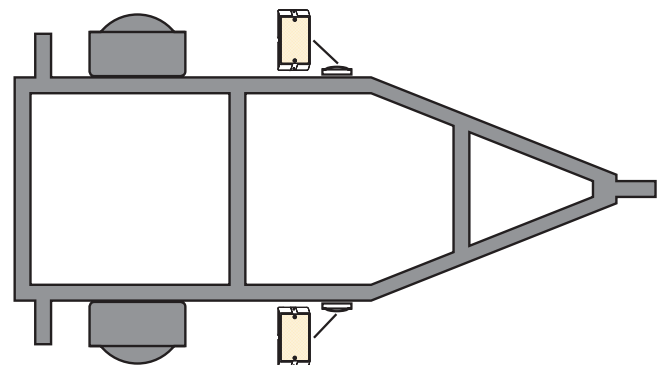


Figure C

Note: All Taillights and Marker Lights must connect to a metal, grounded trailer frame.