



---

Southeast Toyota Distributors, LLC

# Attention

This is an important Safety Recall which was initiated by Southeast Toyota Distributors, LLC.

If you are in Florida, Georgia, Alabama, South Carolina, or North Carolina, please refer to SET Dealer Daily to obtain instructions on how to complete this repair and submit a warranty claim.

**Toyota Dealerships outside of Florida, Georgia, Alabama, South Carolina or North Carolina**

SET will reimburse you for the repairs outlined in the following procedure. For repair authorization and parts ordering, please contact Southeast Toyota Distributors, LLC toll free at 1-888-851-2722 and select the option six (6) for campaign support.

Thank you for your continued support.

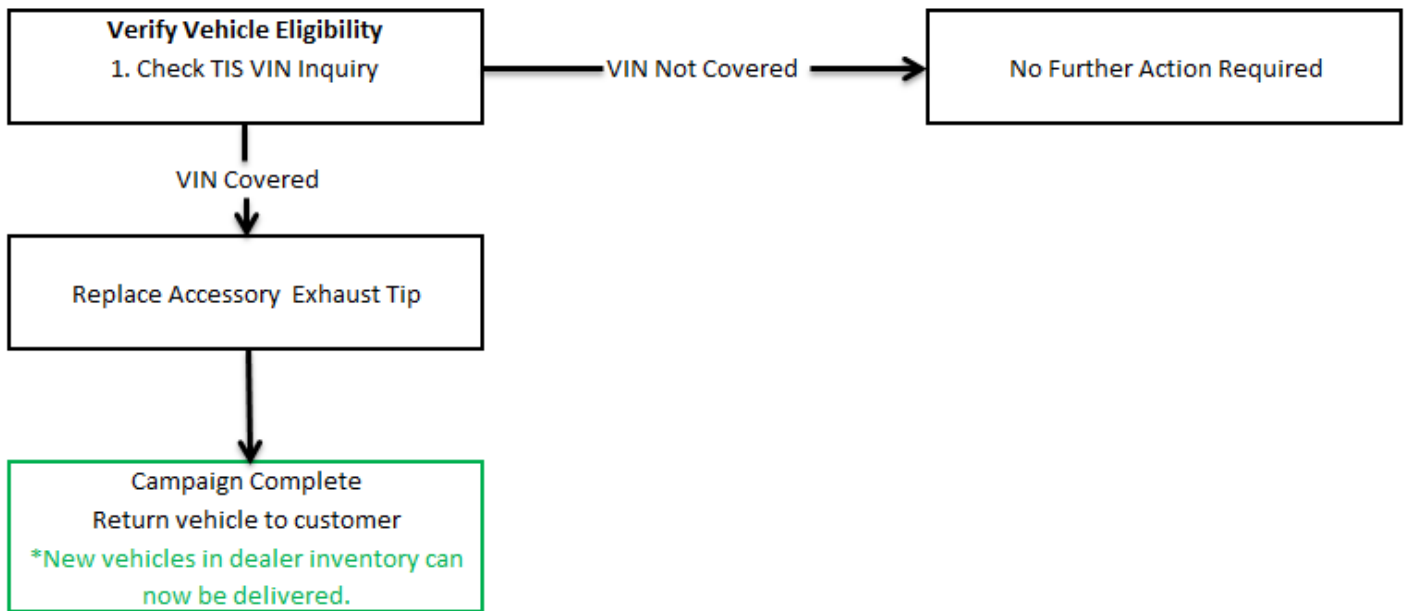
Southeast Toyota Distributors, LLC

**TECHNICAL INSTRUCTIONS**  
**FOR**  
**VOLANTARY SAFETY RECALL CAMPAIGN SET16D**  
**SET ACCESSORY EXHAUST TIP**  
**CERTAIN 2010-2015 MODEL YEAR 4RUNNER**

All dealership associates involved in the campaign process are required to successfully complete E-Learning course SC13A SC15A. To ensure that all vehicles have the repair performed correctly; technicians performing this recall repair are required to currently hold at least one of the following certifications levels:

- Toyota Certified (any classifications)
- Toyota Expert (any classifications)
- Master
- Master Diagnostic Technicians

## I. OPERATION FLOW CHART



## II. IDENTIFICATION OF AFFECTED VEHICLES

### NOTE:

- Check the TIS Vehicle Inquiry System to confirm the VIN is involved in this SSC and that the campaign has not already been completed prior to dealer shipment or by another dealer.
- **Southeast Toyota warranty will not reimburse dealers for repairs conducted on vehicles that are not affected or were completed by another dealer.**

## III. PREPARATION

### A. PARTS

Part Number	Part Description	Quantity
PT932-89100	Exhaust Tip	1

### B. TOOLS & EQUIPMENT

- Standard Hand Tools

## IV. BACKGROUND

SET either installed, or sold to dealers to install, accessory exhaust tips for 2010 - 2015 Toyota 4Runner. Although the exhaust tip is recessed behind the bumper, SET has determined that the exhaust tip could come into contact with people standing behind and reaching into the rear of the vehicles. A person who comes into contact with an exhaust tip can be burned.

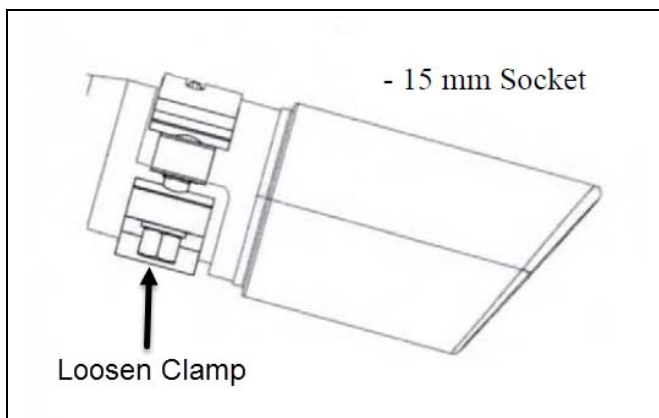
## V. COMPONENTS

SET Accessory Exhaust Tip



## VI. WORK PROCEDURE

### A. Remove Exhaust Tip



1. Loosen 15mm nut on exhaust tip retaining clamp.
2. Remove the Exhaust Tip

### B. Install Replacement Exhaust tip

- Click Link below for TIS installation instructions of PT932-89100 exhaust tip.
  - [2010-2016 4Runner Stainless Steel Exhaust Tip PT932-89100](#)

### 3. APPENDIX

#### A. CAMPAIGN DESIGNATION DECODER

