

REFERENCE:	Nova Bus Manuals
SECTION:	17: Radios and Accessories
RS N°:	MQR 7621-1001
EFFECTIVE IN PROD.:	L885 (2015OCT)
TC RECALL N°:	2016-279
NHTSA RECALL N°:	16V-412

APPLICATION DEADLINE: NA
CLAIM REFERENCE NUMBER: SR-3539

SUBJECT:	Side destination sign
JUSTIFICATION:	Side destination sign rivnuts might be incorrectly installed.

LEVEL	DESCRIPTION	DIRECT CHARGES		TIME
		LABOUR	MATERIAL	
1	Replace side destination sign rivnuts.	Nova Bus	Nova Bus	2 h
2	-	-	-	-

MATERIAL

QTY	PART N°	REV.	DESCRIPTION	REPLACES PART N°
LEVEL 1				
6	N36980	-	RIVNUT M6 X 1.0 SS KNURLED	N16914
LEVEL 2				
-	-	-	-	-

Materials will be available within 10 days. To order, please contact Prevost Parts by phone at 1-800-771-6682, by fax at 1-888-668-2555 or by email at prevostparts.commandes@volvo.com. Specify document number, quantity of parts required and shipping address.

DISPOSAL OF PARTS

REMOVED PARTS ARE:	DISCARDED *	RETAINED	* Dispose of the unused parts and the defective parts in accordance with local environmental standards in effect.
	Yes	-	

REVISION HISTORY

REV.	DATE	CHANGE DESCRIPTION	WRITTEN BY
NR	2016JN20	Initial release	André Pelletier

CLIENT	ORDER	ROAD NUMBER		VIN (2NVY/4RKY...)		QTY
		FROM	TO	FROM	TO	
Ames Transportation Agency - Iowa	L707	660	661	S92U5C4500159	S92U1C4500160	2
Austin - CMTA - Texas	L635	5001	5001	S92U7C4500163	S92U7C4500163	1
Austin - CMTA - Texas	L636	5002	5005	S92U1D4500306	S92U7D4500309	4
Austin - CMTA - Texas	L636	5006	5022	S92U7D4500312	S92U0D4500328	17
Austin - CMTA - Texas	L704	5051	5068	L82J7E4500471	L82J2E4500488	18
Belleville Transit - Ontario (ref. L754)	L809	—	—	L82U2D4500404	L82U2D4500404	1
Belleville Ontario (ref. L962)	L840	8092	8092	L82J9E4500715	L82J9E4500715	1
Chicago Transit Authority - CTA - Illinois	L773	—	—	L82JXD4500429	L82J6D4500430	2
Chicago Transit Authority - CTA - Illinois	L811	7902	7932	L82J6E4500509	L82J6E4500509	31
Chicago Transit Authority - CTA - Illinois	L811	7933	7942	L82J2E4500510	L82J9E4500519	10
Chicago Transit Authority - CTA - Illinois	L811	7943	7949	L82J5E4500520	L82J6E4500526	7
Chicago Transit Authority - CTA - Illinois	L837	7950	7950	L82J6E4500655	L82J6E4500655	1
Chicago Transit Authority - CTA - Illinois	L837	7951	7952	L82J1E4500658	L82J3E4500659	2
Chicago Transit Authority - CTA - Illinois	L837	7953	7999	L82J3E4500662	L82J1E4500708	47
Chicago Transit Authority - CTA - Illinois	L847	8000	8049	L82J1E4500773	L82JXE4500822	50
Chicago Transit Authority - CTA - Illinois	L848	8050	8099	L82JXF4500823	L82J1F4500872	50
Chicago Transit Authority - CTA - Illinois	L849	8100	8149	L82J5F4500874	L82J3F4500923	50
Chicago Transit Authority - CTA - Illinois	L850	8150	8177	L82J5F4500924	L82J8F4500951	28
Clemson Area Transit - South Carolina	L769	—	—	S92U1D4500418	S92U1D4500418	1
CNG Demo (Ref. L957)	L840	8093	8093	L82J0E4500716	L82J0E4500716	1
CT Transit - Connecticut	L814	1462	1473	S92LXE4500717	S92L4E4500728	12
CT Transit - Connecticut	L815	1426	1426	S92L0E4500709	S92L0E4500712	4
Hamilton - Ontario	L885	1501	1501	L82K3F4501093	L82K3F4501093	1
Hamilton - Ontario	L885	1502	1502	L82K0F4501133	L82K0F4501133	1
Hamilton - Ontario	L885	1503	1503	L82K7F4501145	L82K7F4501145	1
Hamilton - Ontario	L885	1504	1504	L82K2F4501148	L82K2F4501148	1
Hamilton - Ontario	L885	1505	1505	L82K2F4501151	L82K2F4501151	1
Hamilton - Ontario	L885	1506	1506	L82K3F4501160	L82K3F4501160	1
Hamilton - Ontario	L885	1507	1507	L82K9F4501163	L82K9F4501163	1
Hamilton - Ontario	L885	1508	1508	L82K4F4501166	L82K4F4501166	1
Hamilton - Ontario	L885	1509	1509	L82KXF4501169	L82KXF4501169	1
Hamilton - Ontario	L885	1510	1510	L82KXF4501172	L82KXF4501172	1
Hamilton - Ontario	L885	1511	1511	L82K5F4501175	L82K5F4501175	1
Hampton Roads - Virginia (ref. L754)	L802	—	—	L82U1D4500278	L82UXD4500280	3
Hampton Roads - Virginia (ref. L754)	L802	—	—	L82U0D4500403	L82U0D4500403	1
Hampton Roads - Virginia (ref. L754)	L802	—	—	L82U6D4500406	L82UXD4500408	3
Houston - Texas	L737	1510	1510	S92U4D4500297	S92U4D4500297	1
Houston - Texas	L755	1511	1512	S92U4D4500333	S92U6D4500334	2
Houston - Texas	L755	1513	1579	S92UXD4500336	S92U8D4500402	67
Krapf's Coaches - Pennsylvania (ref. L833)	L754	—	—	L82U4D4500405	L82U4D4500405	1

CLIENT	ORDER	ROAD NUMBER		VIN (2NVY/4RKY...)		QTY
		FROM	TO	FROM	TO	
LYNX - Florida	L725	—	—	S92Y9D4500329	S92Y5D4500330	2
LYNX - Florida	L764	—	—	S92Y7D4500331	S92Y9D4500332	2
LYNX - Florida	L785	—	—	S92L6E4500505	S92L8E4500506	2
Minnesota Valley Transit Authority - MVTA	L706	4252	4258	L82U4C4500127	L82UXC4500133	7
MTD - Santa Barbara, California	L730	—	—	S92J8E4500567	S92J1E4500569	3
New York City Transit - New York	L841	8094	8094	L82J2F4500959	L82J2F4500959	1
New York City Transit - New York	L841	8095	8097	L82J0F4500975	L82J4F4500977	3
New York City Transit - New York	L841	8098	8102	L82J9F4500988	L82J0F4500992	5
New York City Transit - New York	L841	8103	8112	L82J4F4501000	L82J0F4501009	10
New York City Transit - New York	L841	8113	8175	L82J2F4501013	L82J2F4501075	63
New York City Transit - New York	L842	8090	8320	L82J4F4501076	L82J2F4501092	17
New York City Transit - New York	L842	8321	8420	L82J6F4501094	L82JXF4501132	39
New York City Transit - New York	L842	8421	8431	L82J3F4501134	L82J6F4501144	11
New York City Transit - New York	L842	8432	8481	L82JXF4501146	L82J1F4501147	2
New York City Transit - New York	L842	8482	8491	L82J5F4501149	L82J8F4501159	10
New York City Transit - New York	L842	8207	8208	L82J6F4501161	L82J8F4501162	2
New York City Transit - New York	L842	8209	8210	L82J1F4501164	L82J1F4501164	2
New York City Transit - New York	L842	8211	8212	L82J7F4501167	L82J9F4501168	2
New York City Transit - New York	L842	8213	8213	L82J7F4501170	L82J7F4501170	1
New York City Transit - New York	L843	8214	8214	L82J9F4501171	L82J9F4501171	1
New York City Transit - New York	L843	8215	8216	L82J2F4501173	L82J4F4501174	2
New York City Transit - New York	L843	8217	8218	L82J8F4501176	L82JXF4501177	2
New York City Transit - New York	L843	8219	8220	L82J3F4501179	L82JXF4501180	2
New York City Transit - New York	L843	8221	8222	L82J3F4501182	L82J5F4501183	2
New York City Transit - New York	L843	8223	8224	L82J9F4501185	L82J0F4501186	2
New York City Transit - New York	L843	8225	8226	L82J4F4501188	L82J6F4501189	2
New York City Transit - New York	L843	8227	8228	L82J4F4501191	L82J6F4501192	2
New York City Transit - New York	L843	8229	8230	L82JXF4501194	L82J1F4501195	2
New York City Transit - New York	L843	8135	8136	L82J5F4501197	L82J7F4501198	2
New York City Transit - New York	L843	8137	8138	L82J1F4501200	L82J3F4501201	2
New York City Transit - New York	L843	8139	8140	L82J7F4501203	L82J9F4501204	2
New York City Transit - New York	L843	8141	8142	L82J2F4501206	L82J4F4501207	2
New York City Transit - New York	L843	8143	8144	L82J8F4501209	L82J4F4501210	2
New York City Transit - New York	L843	8145	8146	L82J8F4501212	L82JXF4501213	2
New York City Transit - New York	L843	8147	8147	L82J3F4501215	L82J3F4501215	1
New York Demo	L840	8090	8091	L82J5E4500713	L82J7E4500714	2

CLIENT	ORDER	ROAD NUMBER		VIN (2NVY/4RKY...)		QTY
		FROM	TO	FROM	TO	
NFTA - Buffalo, New York	L877	1501	1501	L82K0F4500984	L82K0F4500984	1
Puerto Rico (ref. L754)	L788	—	—	L82UXD4500277	L82UXD4500277	1
Puerto Rico (ref. L754)	L788	—	—	L82U2D4500290	L82U3D4500296	7
Puerto Rico (ref. L754)	L788	—	—	L82U7D4500298	L82U0D4500305	8
San Joaquin County - California	L768	—	—	S92L4D4500422	S92L3D4500427	6
Sault Ste-Marie Transit Services - Ontario (ref. L751)	L754	—	—	L82U7D4500284	L82U7D4500284	1
SEPTA - Pennsylvania	L724	7300	7301	S92Y1D4500275	S92Y3D4500276	2
SEPTA - Pennsylvania	L728	8600	8600	L82W7D4500335	L82W7D4500335	1
SEPTA - Pennsylvania	L741	7355	7355	S92L4E4500504	S92L4E4500504	1
SEPTA - Pennsylvania	L742	7371	7414	S92L6E4500729	S92L7E4500772	44
SEPTA - Pennsylvania	L743	7356	7370	S92L1E4500489	S92L2E4500503	15
SEPTA - Pennsylvania	L744	8601	8685	L82L7E4500570	L82L6E4500654	85
SEPTA - Pennsylvania	L744	8686	8687	L82L6E4500656	L82L8E4500657	2
SEPTA - Pennsylvania	L744	8688	8689	L82L8E4500660	L82LXE4500661	2
SEPTA - Pennsylvania	L745	7415	7415	S92L0F4500873	S92L0F4500873	1
SEPTA - Pennsylvania	L746	7416	7422	S92L7F4500952	S92L8F4500958	7
SEPTA - Pennsylvania	L746	7423	7437	S92L6F4500960	S92L6F4500974	15
SEPTA - Pennsylvania	L746	7438	7443	S92L3F4500978	S92L7F4500983	6
SEPTA - Pennsylvania	L746	7444	7446	S92L0F4500985	S92L4F4500987	3
SEPTA - Pennsylvania	L746	7447	7451	S92L3F4500995	S92L0F4500999	5
SEPTA - Pennsylvania	L746	7452	7454	S92L4F4501010	S92L8F4501012	3
SEPTA - Pennsylvania	L749	7302	7310	S92Y7D4500409	S92Y6D4500417	9
SEPTA - Pennsylvania	L749	7311	7313	S92Y8E4500419	S92Y6E4500421	3
SEPTA - Pennsylvania	L749	7314	7314	S92L3E4500428	S92L3E4500428	1
SEPTA - Pennsylvania	L749	7315	7341	S92L3E4500431	S92LXE4500457	27
SEPTA - Pennsylvania	L749	7342	7354	S92L1E4500458	S92L2E4500470	13
University of Alabama - Alabama	L671	7024	7025	L82U5C4500119	L82U1C4500120	2
University of Alabama - Alabama	L727	7026	7027	L82U4D4500310	L82U6D4500311	2
University of Alabama - Alabama	L787	—	—	L82J2E4500507	L82J4E4500508	2
University of Alabama - Alabama	L902	7030	7031	L82J2F4500993	L82J4F4500994	2

**WARNING**

Follow your internal safety procedures.

PROCEDURE

- 1.1. To access the side destination sign bolts, remove the emergency valve cover (if applicable) and the side sign bolt cover. See Figure 1.

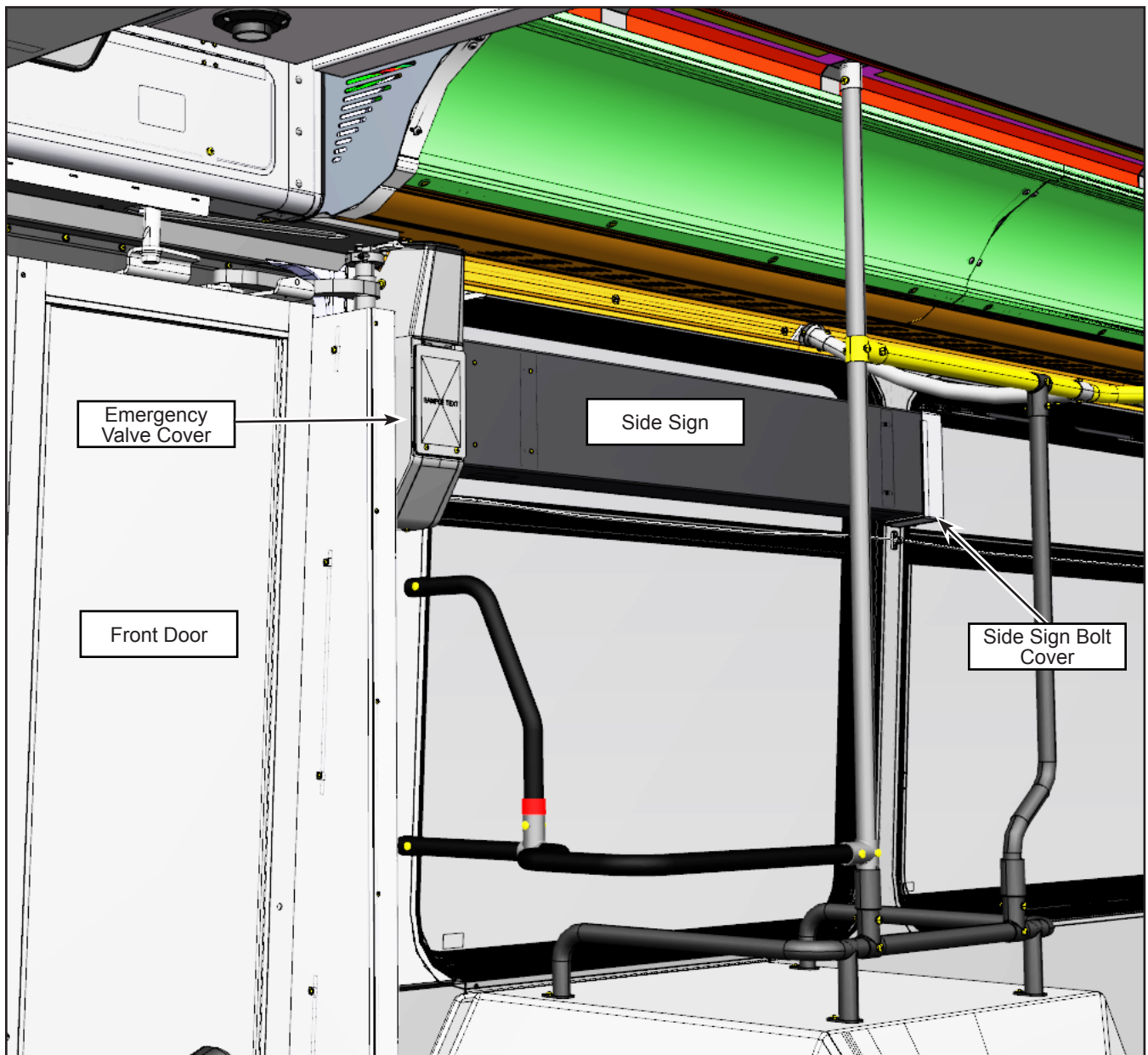


Figure 1 - Identification of Parts

- 1.2. Remove the six bolts holding the side sign to the wall. Disconnect and remove the side sign with the help of an assistant.



Figure 2 - Location of Side Sign Bolts (Some Parts Removed for Clarity)

- 1.3. Remove the rivnuts by drilling through the head using a 9 mm (23/64") drill bit. Be careful to drill only the head of the rivnut. See Figure 3.

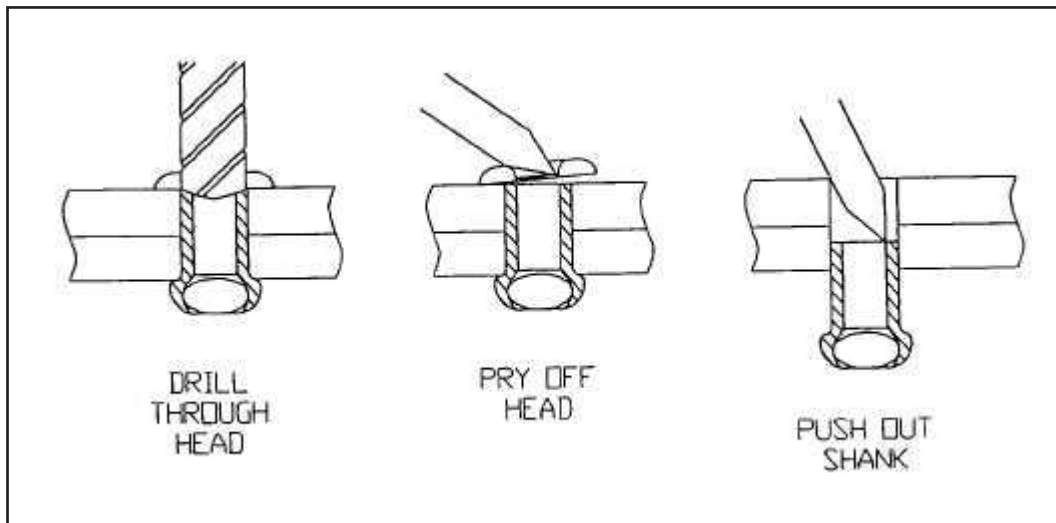


Figure 3 - Rivnut removal

- 1.4. Enlarge the six holes to 10 mm. Make sure to get clean holes and use a deburring tool if needed.
- 1.5. Install the new N36980 rivnuts with a crimping tool. See Figure 4.

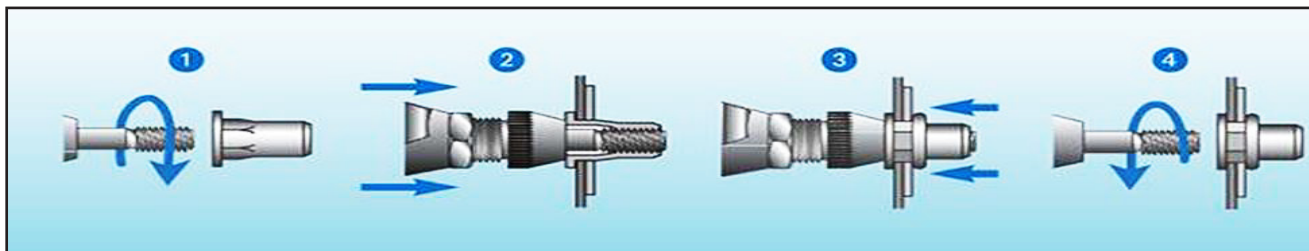


Figure 4 - Rivnut Crimping

- 1.6. Reinstall the side sign. Connect and install the original hardware.
- 1.7. Torque the six bolts to 8.5 N•m (6.3 lb-ft).
- 1.8. Reinstall the parts removed for access. ❖