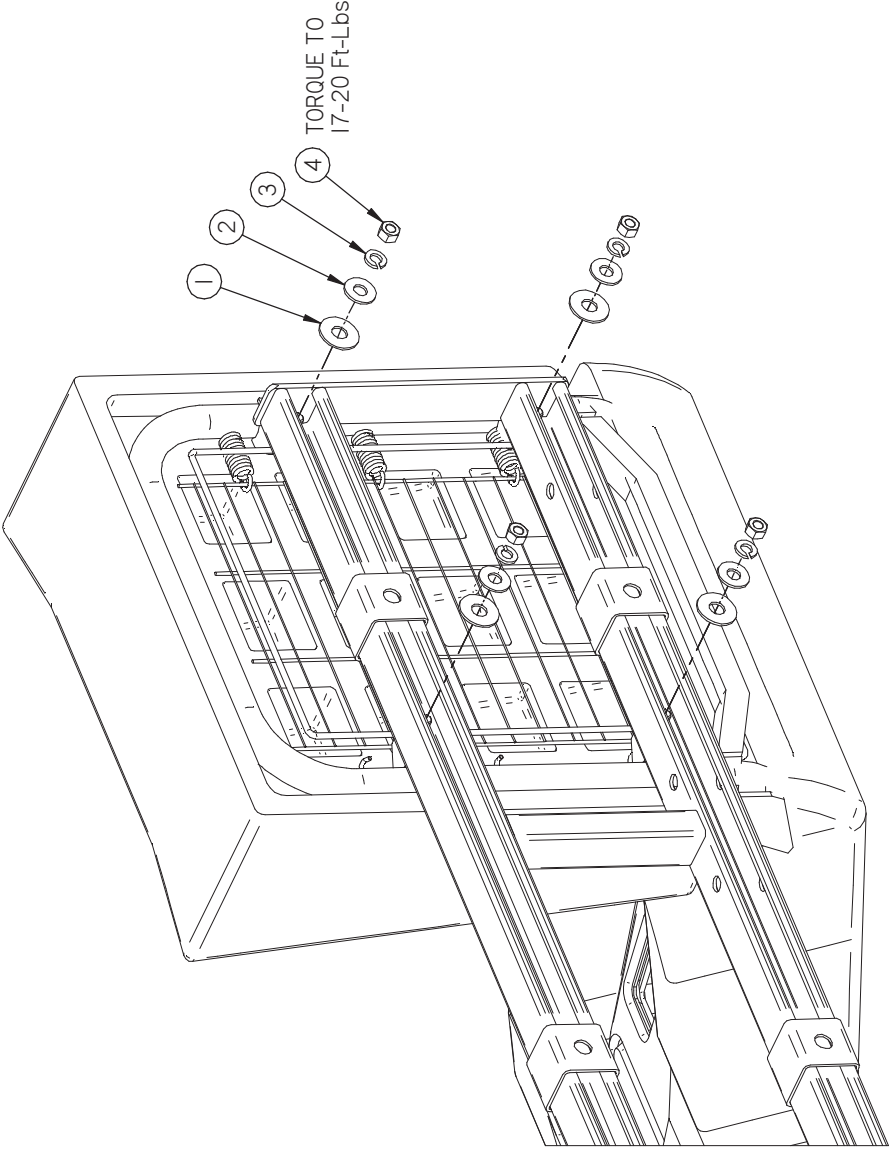


REV.	DATE	EON	DESCRIPTION	BY	CHKD.	APPD.
A	04/25/16	TBD	RELEASE TO PRODUCTION	DK	DK	DK



PRELIMINARY
 04/25/16
 NON CONTROLLED DOCUMENT
 X D. KLOPP
 REV: A-1

ITEM	QTY	PART #	DESCRIPTION
4	4	225854	3/8-24UNF, HEX NUT, G8, ZP
3	4	120382	3/8 LOCK WASHER, REG SPRING, ZP
2	4	120388	3/8" ID, 1" OD FLAT WASHER, ZP
1	4	99015	7/16. WASHER, FLAT, USS, G8, ZP, YEL

DRAWING NAME: **INSTRUCTIONS, SEAT, ICS**

MATERIAL: **Freeform Seating Co.**
 1155 W. UNIVERSITY BLVD
 CHICAGO, IL 60607

DATE: _____ DATE: _____
 BY: _____ APPROVED: _____

SIZE: **C** DRAWING NO: **75712** REV: **A**

SCALE: **NOT TO SCALE** SHEET: **1** of **1**

Tolerances Unless Otherwise Specified:
 Fraction: 1/32" +/- 1/32"
 Decimal: .005" +/- 0.002"
 Angular: +/- 1 Degree
 Unspecified Radii are 1/8"

NOT TO BE USED, DISCLOSED OR REPRODUCED WITHOUT PERMISSION. PROPERTY OF FREEDMAN SEATING COMPANY.