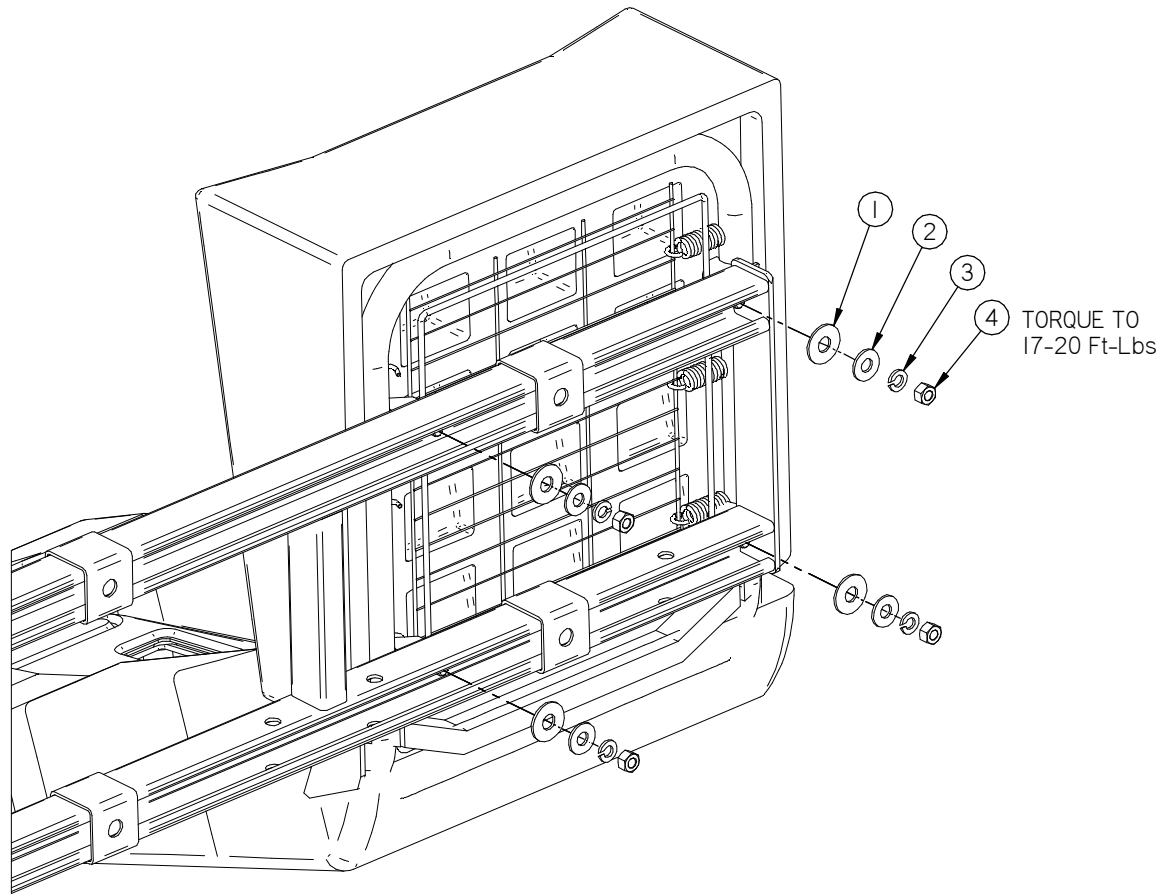

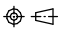


REV.	DATE	ECN	DESCRIPTION	BY	CHKD.	APPD.
A	04/25/16	TBD	RELEASE TO PRODUCTION	DK	DK	DK



4	4	225854	3/8-24UNF, HEX NUT, G8, ZP
3	4	120382	3/8 LOCK WASHER, REG SPRING, ZP
2	4	120388	3/8" ID, 1" OD FLAT WASHER, ZP
1	4	99015	7/16, WASHER, FLAT, USS, G8, ZP, YEL
ITEM	QTY	PART #	DESCRIPTION

DRAWING NAME:  
**INSTRUCTIONS, SEAT, ICS**

MATERIAL:	 <b>Freedman Seating Co.</b> 4545 W. Augusta Blvd Chicago, IL 60651		PROJECTION 
SPECIFICATION:	Authorizer:	REF.	SUPERSEDES
	DATE	CHECKED	APPROVED
SIZE: <b>C</b>	DRAWING No. <b>75712</b>		REV. <b>A</b>
SCALE: NOT TO SCALE	ISSUE DATE		SHEET: 1 of 1

Tolerances Unless Otherwise Specified:  
 Fraction: 1/X +/- 1/32"  
 Decimal: XXX +/- 0.02"  
 XXXX +/- 0.005"  
 Angular +/- 1 Degree  
 Unspecified Radii are 1/8"

NOT TO BE USED, DISCLOSED OR REPRODUCED WITHOUT PERMISSION.  
 PROPERTY OF FREEDMAN SEATING COMPANY.