



16-04-013BUG

Tank Control Unit

---

**Applicability:**

Bugatti Veyron

Bugatti Grand Sport

**VIN range :**

Contact your Bugatti regional service manager

**Market Region:**

All

**Introduction:**

Fuel tank control unit requires replacement with later version.

**Description:**

Fuel tank indicator can show a higher fuel level than the actual level of fuel in the tank.

A new control unit with revised software has been introduced to supply the correct signals from the level sensors.

**Warning:**



Comply with the vehicle preparation measures for maintenance and repair procedures. Refer to the official Workshop Manual, Page 18 "General instructions about the vehicle"

If in any doubt regarding this procedure, contact your Bugatti regional service manager.

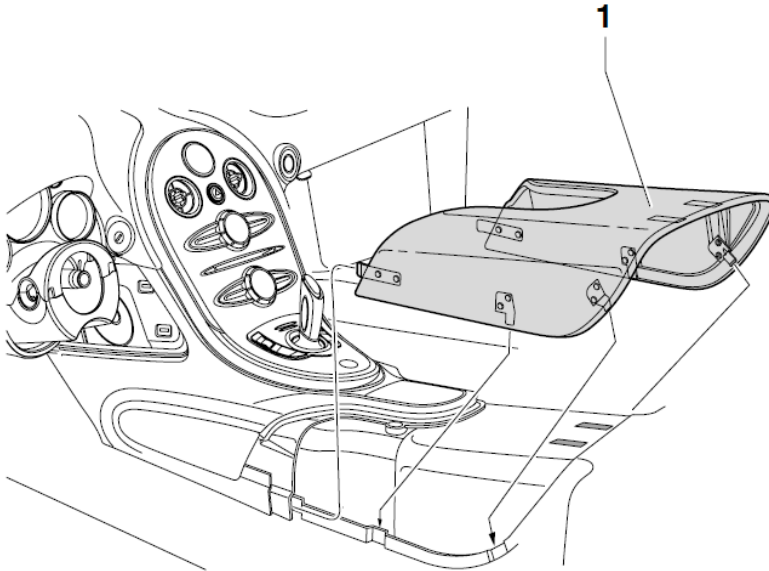


16-04-013BUG

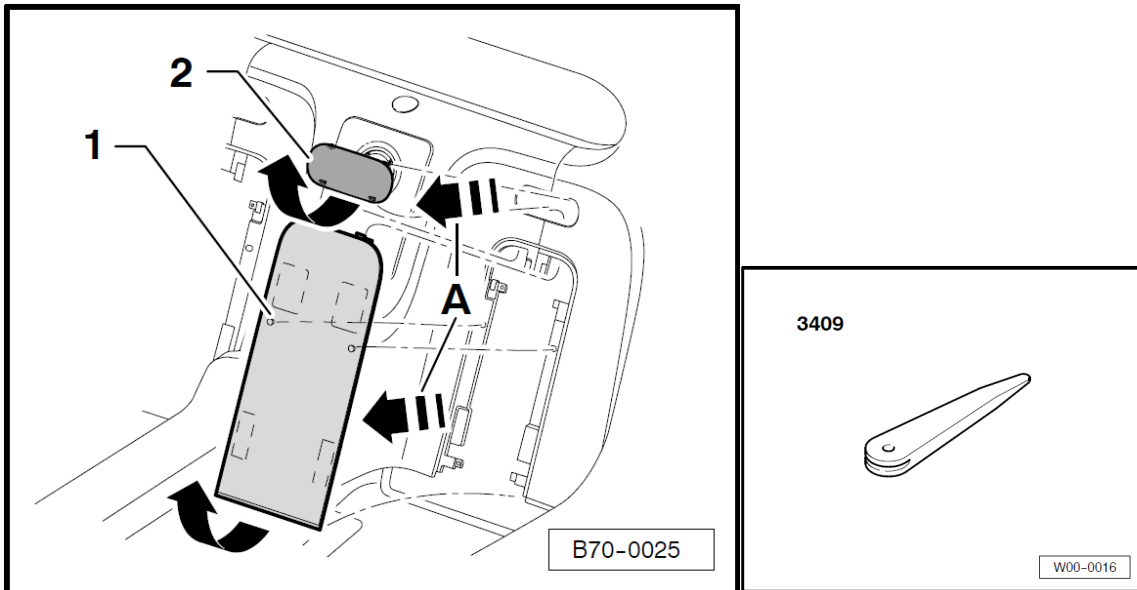
Tank Control Unit

**Procedure:**

1. Remove centre console armrest (1)



2. Remove the passenger side rear wall trim
  - Loosen the lower passenger rear wall trim -1- using a dismounting wedge (e.g. -3409-), in direction of travel -arrows-.
  - Pull the lower rear wall trim-2- in direction of travel –arrows to loosen the trim elements.
  - Remove the trim -1- and -2- upwards in direction of arrow A-.

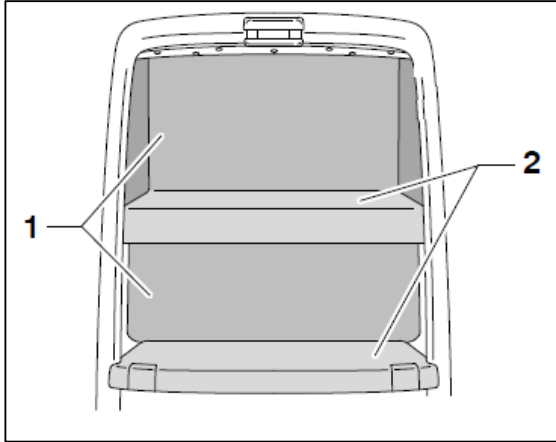




16-04-013BUG

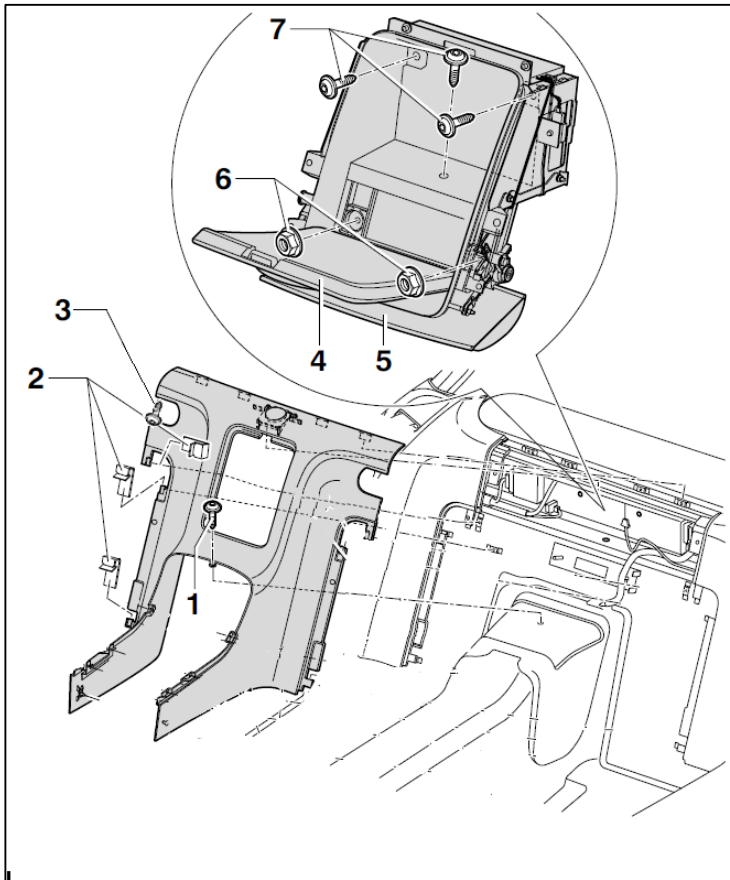
Tank Control Unit

3. Remove rear wall compartments (1)



- Open the flap for the tray with the button on the rear wall.
- Unclip the floor compartments -2- from the tray with a dismantling wedge
- Pull the rear wall compartments -1- out of the tray.

4. Centre rear wall trim loosening



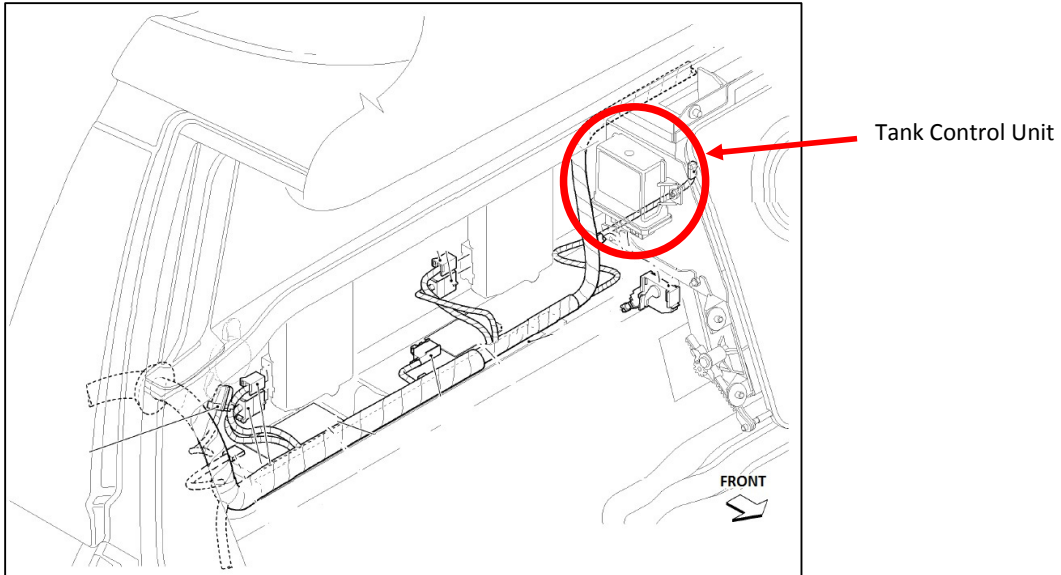
- Use a dismantling wedge (e.g. -3409-) to lever out the retaining clips -2-.
- Open the cover -4- of the tray -5-.
- Unscrew the fastening bolts -7- and fastening nuts -6- in the tray -5-.
- Unscrew the fastening bolts -3- in the centre wall trim
- Unscrew the fastening bolts -1- in the monocoque



16-04-013BUG

Tank Control Unit

- 5. Gently pull the passenger side of centre rear wall to access the Tank control unit and unplug it.



Passenger side view of the monocoque without interior trim

- 6. Unscrew the 2 nuts with 10mm socket



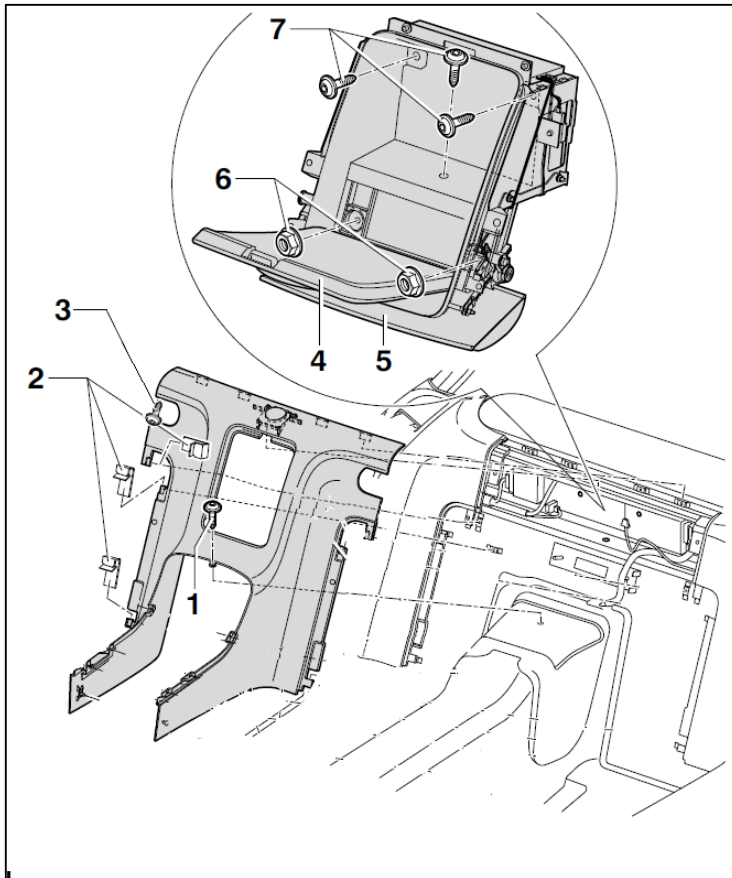
Passenger side view of the Tank Control Unit (while pulling centre rear wall)



16-04-013BUG

Tank Control Unit

7. Remove the Tank Control Unit
8. Install the new Tank control Unit 5B0906020 B (Software version V 3.03) and screw the 2 nuts carefully (approx. 1Nm)
9. Connect the new Tank Control Unit
10. Install the centre rear wall trim



Installation is in reverse order of removal.

- Tighten fastening Bolts -7- to 4,5Nm tightening torque
- Tighten mounting nuts -6- to 3 Nm tightening torque
- Tighten fastening Bolts -1- to 1 Nm tightening torque
- Tighten the retaining clips and check for firm seat (All clips must be replaced)
- Tighten fastening Bolts -3- to 1 Nm tightening torque

11. Install the rear wall compartment, passenger side rear wall trim and the centre console armrest  
Installation is in reverse order of removal

12. End of procedure



16-04-013BUG

Tank Control Unit

---

**Warranty information:**

Operation	Defect Code	Repair Code	Time
Tank control unit replacement		BUGVR5/1	1 hr

Bugatti Bulletins are intended for use by experienced and trained technicians. If you lack the skills, tools, equipment and a suitable workshop for any procedure described in this document, we suggest you leave such repairs to an Authorised Bugatti Partner. See your Bugatti Partner for advice on whether your vehicle may benefit from the information contained within this document.

The information contained in this Bulletin is accurate at the date of publication. However, Bugatti Automobiles S.A.S. regularly updates technical information. Please check with your Bugatti Partner that the Bulletin you intend to use contains the latest available information.

© Bugatti Automobiles S.A.S. All Rights Reserved