

- ATTENTION:**
- GENERAL MANAGER
 - PARTS MANAGER
 - CLAIMS PERSONNEL
 - SERVICE MANAGER

IMPORTANT - All Service Personnel Should Read and Initial in the boxes provided, right.

© 2016 Subaru of America, Inc. All rights reserved.



QUALITY DRIVEN® SERVICE

REPAIR PROCEDURE

APPLICABILITY: 2015-2016 MY Forester 2.0XT
2015-2016 MY WRX

NUMBER: WTA-62
DATE: 03/17/16

SUBJECT: Repair Procedure for Subaru Recall
Campaign Stop-Sale: WTA-62 Turbocharger
Air Intake Duct

INTRODUCTION

Subaru of America, Inc. (Subaru) is recalling certain 2015 and 2016 model year Subaru Forester 2.0XT and WRX vehicles to inspect and possibly replace the turbocharger air intake duct.

DESCRIPTION OF THE SAFETY HAZARD

The turbocharger air intake duct may have been produced with an incorrect material that is susceptible to cracking. Should the turbocharger air intake duct crack, the engine may develop a rough idle, reduced power and possibly stall. Should the engine suddenly lose power or stall while driving, there is an increased risk of a crash. This could happen without warning.

DESCRIPTION OF THE REMEDY

The repair procedure will involve inspecting and possibly replacing the turbocharger air intake duct. Inspection of the turbocharger air intake duct production date code molded on the duct will be necessary to determine if replacement is required.

AFFECTED VEHICLES

This condition may exist on certain vehicles listed below. NOTE: Not all vehicles within the range are affected. Coverage for all affected vehicles must be confirmed by using the Vehicle Coverage Inquiry function at Subarunet.com.

Vehicle Model	Model Year	Affected VIN Range
Forester 2.0XT	2015	From FH819330 to FH842199
	2016	From GH400090 to GH475644
WRX	2015	From F*838026 to F*838040
	2016	From G*800045 to G*820448

Continued...

CAUTION: VEHICLE SERVICING PERFORMED BY UNTRAINED PERSONS COULD RESULT IN SERIOUS INJURY TO THOSE PERSONS OR TO OTHERS.

Subaru Service Bulletins are intended for use by professional technicians ONLY. They are written to inform those technicians of conditions that may occur in some vehicles, or to provide information that could assist in the proper servicing of the vehicle. Properly trained technicians have the equipment, tools, safety instructions, and know-how to do the job correctly and safely. If a condition is described, DO NOT assume that this Service Bulletin applies to your vehicle, or that your vehicle will have that condition.

SUBARU OF AMERICA, INC. IS ISO 14001 COMPLIANT

ISO 14001 is the international standard for excellence in Environmental Management Systems. Please recycle or dispose of automotive products in a manner that is friendly to our environment and in accordance with all local, state and federal laws and regulations.

PARTS INFORMATION

NOT ALL VEHICLES WILL REQUIRE PARTS REPLACEMENT.

Only turbocharger air intake ducts with a production date of **April (Month 4), 2015** require replacement. If the production date code is confirmed to be **April (Month 4), 2015** the part numbers listed below need to be replaced.

Not all vehicles will require parts replacement therefore orders will only be released for affected STOP SALE vehicles. **The last eight digits of the VIN must be entered in the P.O. number field on the parts order. Please contact the Parts Information Coordinators (1-866-SUBARU2) for VIN verification and order release.**

DESCRIPTION	PART NUMBER	QUANTITY
Duct – Air Intake	14462AA571	1
Gasket – Air Intake Duct	14497AA040	1
O Ring – Air Bypass	21867AA000	1

SUBARU RETAILER PROGRAM RESPONSIBILITY

Retailers are to promptly perform the applicable service procedures to correct all affected vehicles in their inventory. Additionally, whenever a vehicle subject to this recall is taken into inventory or in for service, necessary steps should be taken to ensure the recall correction has been made before selling or releasing the vehicle.

Any vehicles listed in a recall/campaign that are in the retailer's stock must be:

- Immediately identified.
- Tagged or otherwise marked to prevent their delivery or use prior to inspection and/or repair.
- Repaired in accordance with the repair procedures outlined in this bulletin.

CLAIM REIMBURSEMENT AND ENTRY PROCEDURES

Credit to perform this recall campaign will be based on the submission of properly completed repair order information. Retailers may submit claims through Vehicle Claim Entry on subarunet.com.

LABOR DESCRIPTION	LABOR OPERATION #	LABOR TIME	FAILURE CODE	CLAIM TYPE
Turbocharger Air Intake Duct Inspection Only	A145-138	0.2	WTA-62	RC
Turbocharger Air Intake Duct Inspect & Replace	A145-131	0.5		

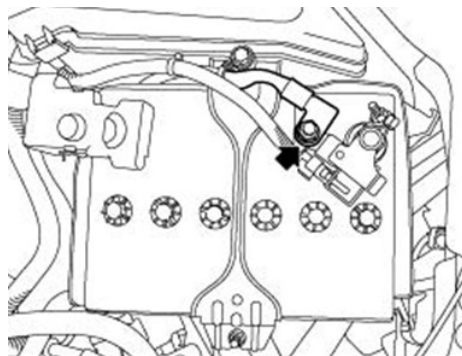
REPAIR PROCEDURE:

This repair procedure involves inspection of the production date code molded into the duct. If the specified date code is found, the duct must be replaced. If other than the date code specified, the duct was manufactured using the correct material and replacement is not necessary.

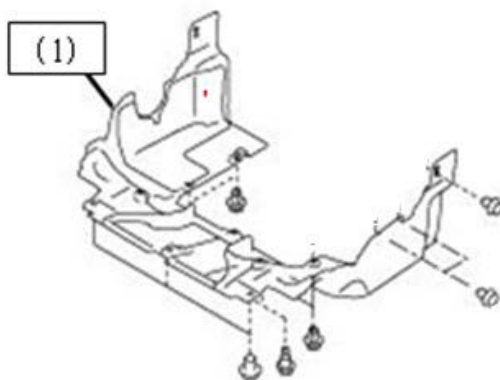
All Turbocharger Intake ducts identified as having a date code of **April, 2015 must be replaced.**

Continued...

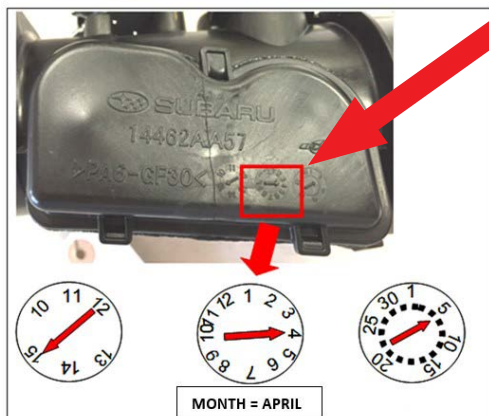
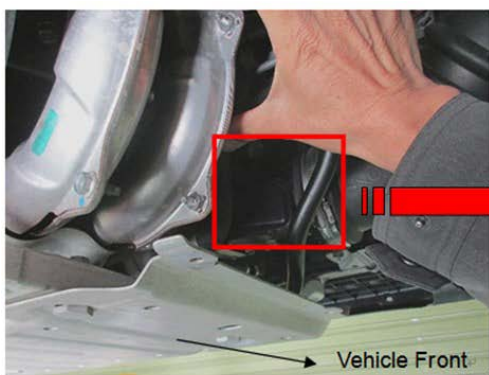
- Turn the ignition off and disconnect the battery from the battery sensor on the ground or **negative (-) terminal first**.



- Raise the vehicle and remove the bolts and clips securing the plastic under cover (1) following the procedure in the applicable Service Manual in order to gain access to the turbocharger air intake duct.



- Inspect the production date code of the turbocharger air intake duct as shown below.



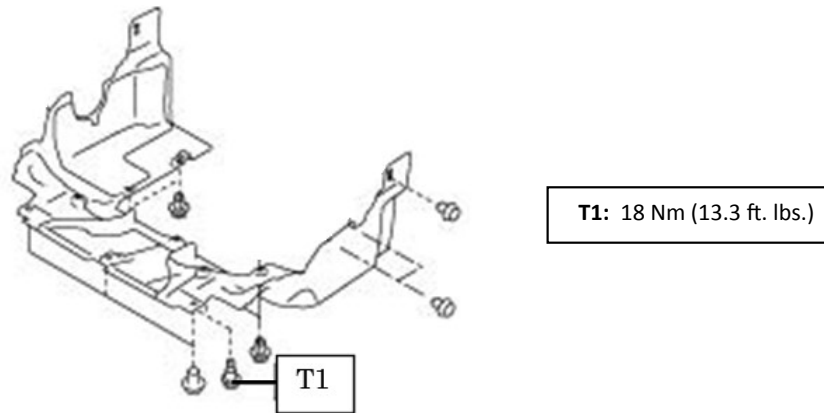
NOTE: Do not confuse this date code with the date code visible from the front of the vehicle.



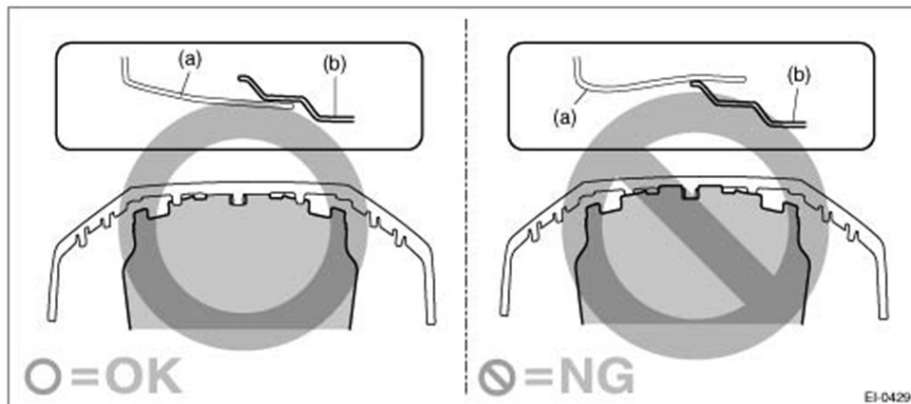
Continued...

IMPORTANT: Only turbocharger air intake ducts with a production date of **APRIL** (Month 4), 2015 require replacement. If the production date code is confirmed to be **OTHER THAN APRIL** (Month 4), the turbocharger air intake duct does **NOT** need to be replaced.

- Reinstall the undercover in reverse order of removal. Torque the bolts per the illustration below.



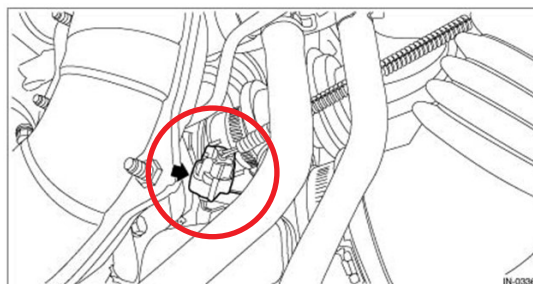
CAUTION: Make sure the front edge of the under cover (b) fits inside the the bumper cover (a) as shown in the illustrations below.



- Clean the battery cable terminals and apply grease to prevent corrosion.
- Reconnect the battery, positive (+) terminal first.
- Reconnect the negative (-) cable while holding the battery sensor to prevent it from rotating on the battery post. Torque the 12mm nut to 7.35 Nm (5.5 ft. lbs.).
- **IMPORTANT:** Wait at least 10 seconds after reconnecting the battery ground terminal before switching the ignition on to allow initial diagnosis of the electric throttle control. This will prevent setting DTCs. After switching the ignition on, **wait another 10 seconds** before starting the engine.

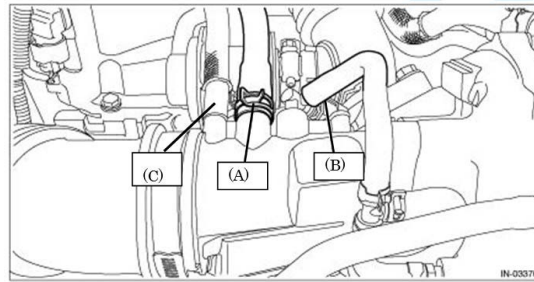
VERY IMPORTANT: If the production date code is confirmed to be **APRIL** (Month 4), the turbocharger air intake duct **must be replaced** following the repair procedure outlined below.

- Disconnect the wiring harness connector from the waste gate control solenoid valve.

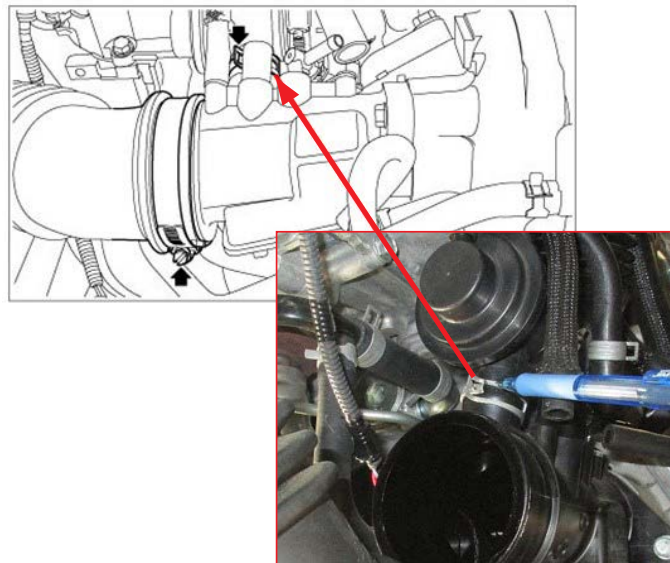


Continued...

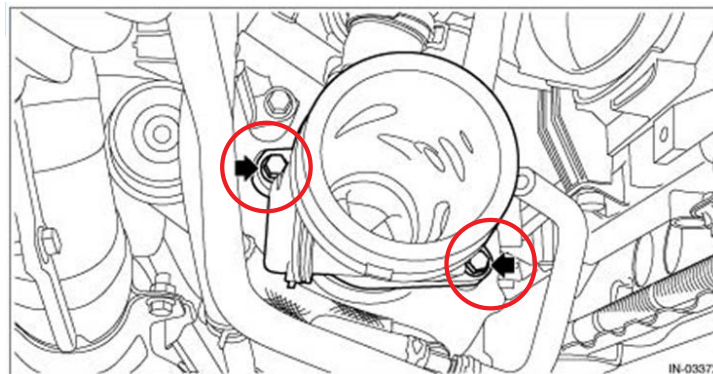
- Disconnect the PCV hose (A) and the vacuum hose (C) from the turbocharger air intake duct and remove the vacuum hose (B) from the waste gate control solenoid valve.



- Remove the hose clamp and the rubber intake boot from the turbocharger air intake duct. Disengage the spring clamp securing the by-pass valve to the turbocharger air intake duct as shown below.



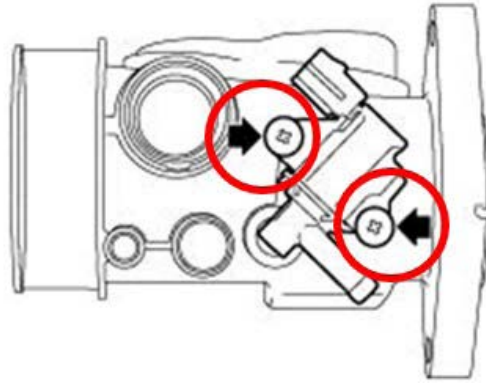
- Remove the 2 bolts securing the air intake duct to the turbocharger and remove it.



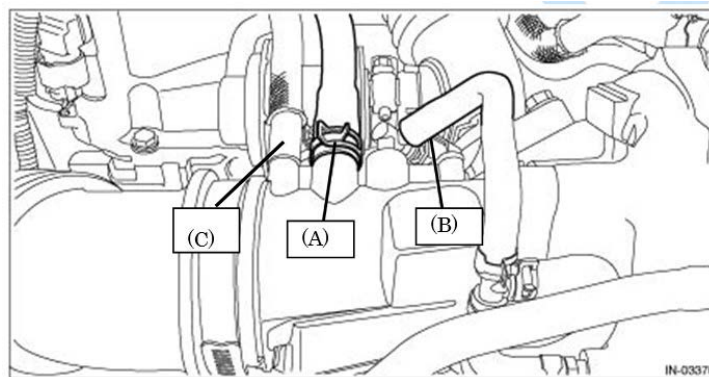
VERY IMPORTANT: Inspect the removed air intake duct closely for any cracking or damage. If the inspection shows the duct is cracked or has any pieces missing, the turbocharger impeller should be inspected closely for possible damage. If impeller damage is confirmed, the turbocharger assembly must also be replaced.

Continued...

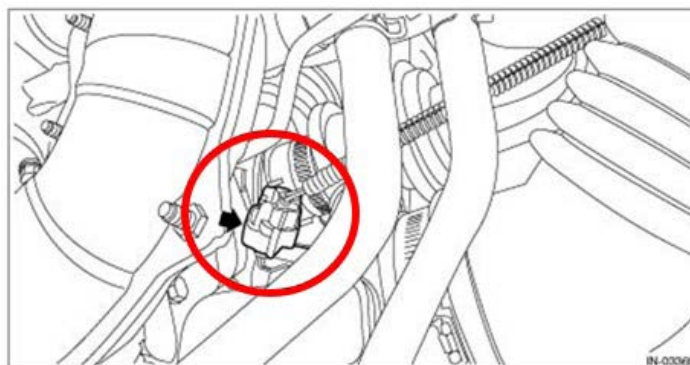
- Transfer the waste gate control solenoid valve over to the new turbocharger air intake duct.
NOTE: Always use a new o-ring. Make sure the waste gate control solenoid valve is fully seated into the new turbocharger air intake duct then torque the 2 retaining screws to 25 inch-pounds.



- Reinstall the new turbocharger air intake duct. Tighten the 2 retaining bolts to **4.7 ft. lbs. (57 inch-pounds) for 2015MY vehicles and 5.5 ft. lbs. (66 inch-pounds) for 2016MY vehicles.**
NOTE: Always use a new o-ring and be careful not to pinch it during installation.
- Reinstall the air by-pass valve to the new turbocharger air intake duct making sure it is fully inserted and refit the spring clamp.
- Refit the rubber intake boot to the new turbocharger air intake duct. Confirm the boot is properly seated. Reinstall the hose clamp and torque to 1.8 ft. lbs. (22 inch-pounds).
- Reconnect the PCV hose (A) and the vacuum hose (C) to the turbocharger air intake duct and the vacuum hose (B) to the waste gate control solenoid valve.

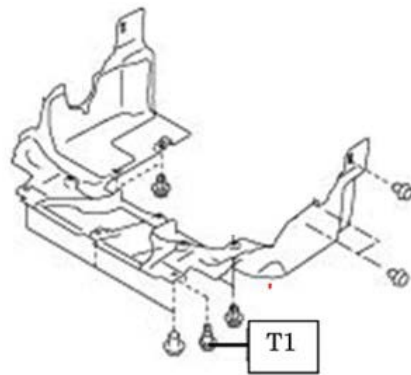


- Reconnect the wiring harness connector to the waste gate control solenoid valve.



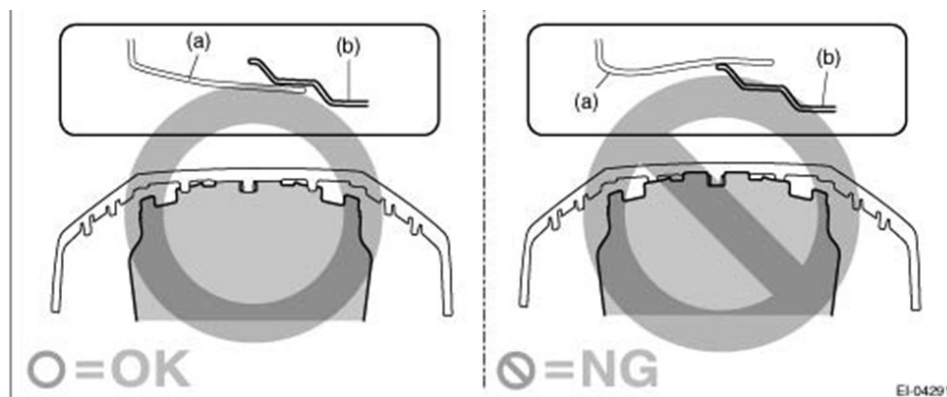
Continued...

- Reinstall the undercover in reverse order of removal. Torque the bolts per the illustration below.



T1: 18 Nm (13.3 ft. lbs.)

CAUTION: Make sure the front edge of the under cover (b) fits inside the the bumper cover (a) as shown in the illustrations below.



- Clean the battery cable terminals and apply grease to prevent corrosion.
- Reconnect the battery, positive (+) terminal first.
- Reconnect the negative (-) cable while holding the battery sensor to prevent it from rotating on the battery post. Torque the 12mm nut to 7.35 Nm (5.5 ft. lbs.).
- **IMPORTANT:** Wait at least 10 seconds after reconnecting the battery ground terminal before switching the ignition on to allow initial diagnosis of the electric throttle control. This will prevent setting DTCs. After switching the ignition on, **wait another 10 seconds** before starting the engine.

IMPORTANT REMINDERS:

- SOA strongly discourages the printing and/or local storage of service information as previously released information and electronic publications may be updated at any time.
- Always check for any open recalls or campaigns anytime a vehicle is in for servicing.
- Always refer to STIS for the latest service information before performing any repairs.