

SAFETY RECALL

MACK Trucks Inc.
Greensboro, NC USA



Date	Number	Release	Page
5.2016	SC0402	02	1 (4)

This Safety Recall replaces recall, "SC0402, One Piece Steering Shaft, Replacement", dated (04.2015).

One Piece Steering Shaft, Replacement

TD

SAFETY RECALL INFORMATION

MACK Trucks, Inc. has determined that a defect that relates to motor vehicle safety exists in certain Titan model vehicles manufactured from February 25, 2015 to February 12, 2016. The bolt connecting the upper steering shaft to the lower steering shaft at the junction block may not properly secure the upper steering shaft. **As a result, the upper steering shaft may separate without warning with complete loss of steering which may result in a vehicle crash.**

VEHICLES AFFECTED

MACK Titan vehicles manufactured from February 25, 2015 through February 12, 2016, and equipped with grease-able two-piece steering shaft.

VEHICLE QUANTITY

There are 90 (75 U.S., 15 Canada) vehicles affected by this recall.

REQUIRED PARTS

- 82237896, Shaft (1)
- 25106380, Screw (2)
- 25098472, Nut (2)

If the vehicle is eligible, call 1-877-447-2787 and provide the following:

- 17 digit Vehicle Identification Number (VIN)
- Recall Number (SC0402)
- Dealer Code
- Purchase Order Information (PO Information)

REPAIR PROCEDURE



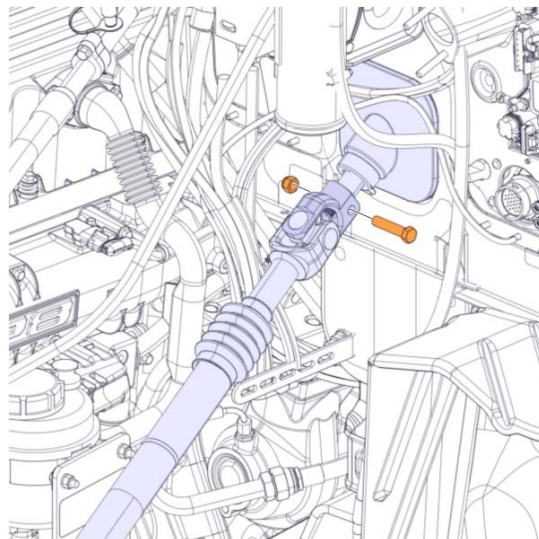
DANGER

Do not attempt to repair or service this vehicle without having sufficient training, the correct service literature and the proper tools. Failure to follow this could make the vehicle unsafe and lead to serious personal injury or death.

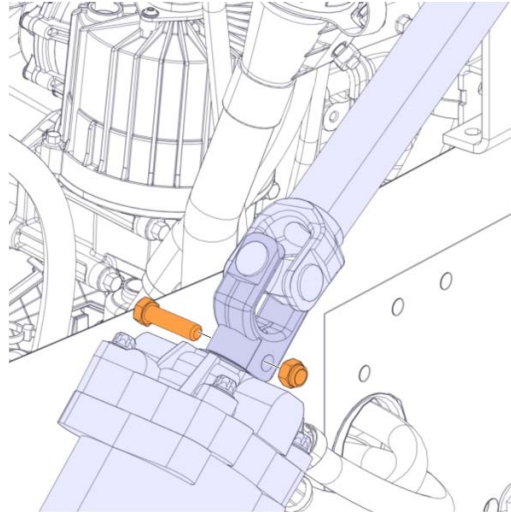
Failure to perform installation correctly can result in loss of steering which could result in serious personal injury or death.

One Piece Steering Shaft, Replacement Instructions

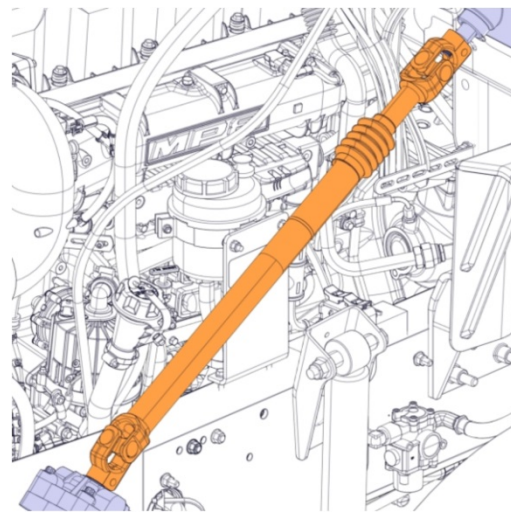
1. Verify service recall eligibility by checking service recall status in VDA.
2. Secure the vehicle for service by parking it on a flat level surface, applying the parking brake, chocking the rear wheels, and placing the transmission in neutral. Open hood.
3. Ensure the vehicle front wheels are pointing straight ahead.
4. Remove the screw and nut.



5. Remove the screw and nut.



6. Remove the 2-piece steering shaft.
7. Install the single piece steering shaft.



8. Install the lower screw and nut. Tighten to 85 ± 5 Nm (63 ± 4 lb-ft).
9. Install the upper screw and nut. Tighten to 85 ± 5 Nm (63 ± 4 lb-ft).
10. Close the hood.
11. If equipped with ESP, use Bendix® ACom™ to calibrate the steering angle sensor
12. Test-drive the vehicle. Check the steering wheel position.

REIMBURSEMENT

This repair is covered by an authorized Safety Recall campaign. Reimbursement is obtained through the normal claim handling process.	
	UCHP Reimbursement
Claim Type (used only when uploading from the Dealer Business System)	40
Recall Status	
Vehicle repaired per instructions	
Primary Labor Code	
One Piece Steering Shaft, Replacement	6412-03-09-07 0.5 hrs
Optional Labor Codes	
Calibrate ESP	5931-08-03-20 0.4 hrs
Time to take charge of vehicle and determine campaign status	1700-16-01-01 0.3 hrs
Causal Part	82746329
Authorization Number	C6575

Note: Take Charge Time is not included in the labor code for this operation. Take charge may be eligible, but can only be used once per vehicle repair visit. If the vehicle is having other warranty repairs performed, take-charge should be charged to the warranty repair, otherwise take-charge can be charged to this Safety Recall campaign.

Note: Dealers are to perform Safety Recall Campaigns on all subject vehicles at no charge to the vehicle owner regardless of mileage, age of vehicle or ownership (original purchaser or subsequent purchasers). Whenever vehicles are subject to a safety recall are brought to your dealership for service, or taken into your dealership vehicle inventory, it is strongly recommended that every effort be made to perform the recall correction before the vehicle is sold or released to the owner.