

# Thor Motor Coach Recall Repair Instructions



Recall # 16V-139

Description/Title: **34J Heatshield**

Affected Product Line(s): **Certain 34J Hurricanes and Windsport Motorhomes**

Service Campaign # : **RC000112**

Released Date: **4/22/2016**

Failure Code: **TMCRC80447N**

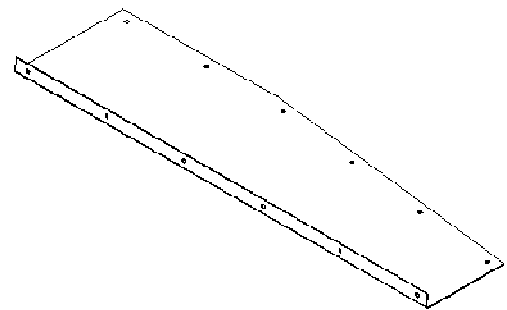
Document Date: **4/22/2016**

Time Allowed: **0.5**

Document Revision: **4/22/2016**

## Items Needed:

**1 ea Heat Shield—TMC Item number 0351813**  
**12 ea 3/4" Hex Head Self Tapping Screws—TMC Item number 0109333**



## Instructions:

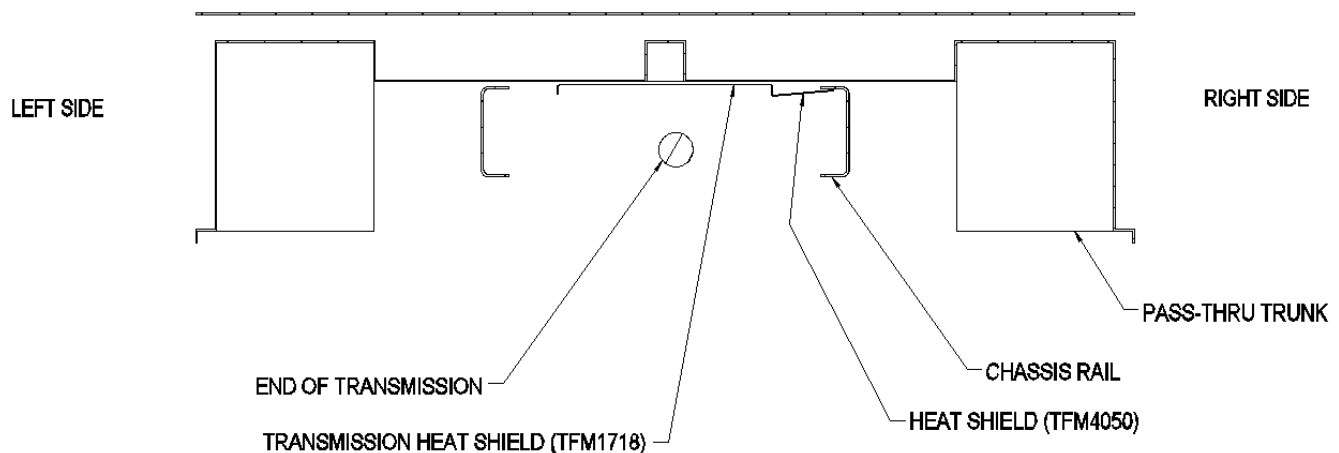
While underneath the coach locate the front truss support on the right hand (passenger) side of the unit.

Take the heat shield and butt the widest side against the front truss.

When positioned properly, the flange on the new heatshield will over lap the flange on the transmission heat shield.

Secure the heatshield with 3/4" hex head self tapping screws.

LOOKING FROM REAR TO FRONT



View is as if you are laying underneath the coach looking up at the underside of the floor.

