

**TECHNICAL INSTRUCTIONS**  
**FOR**  
**CAMPAIGN G0C**  
**CENTER AIRBAG SENSOR ASSEMBLY (SRS ECU)**  
**CERTAIN 2004 – 2006 MY 4RUNNER**

**Updated 11-21-17**

**Update 11-21-17**

- **Part information updated**

**Update 03-24-17**

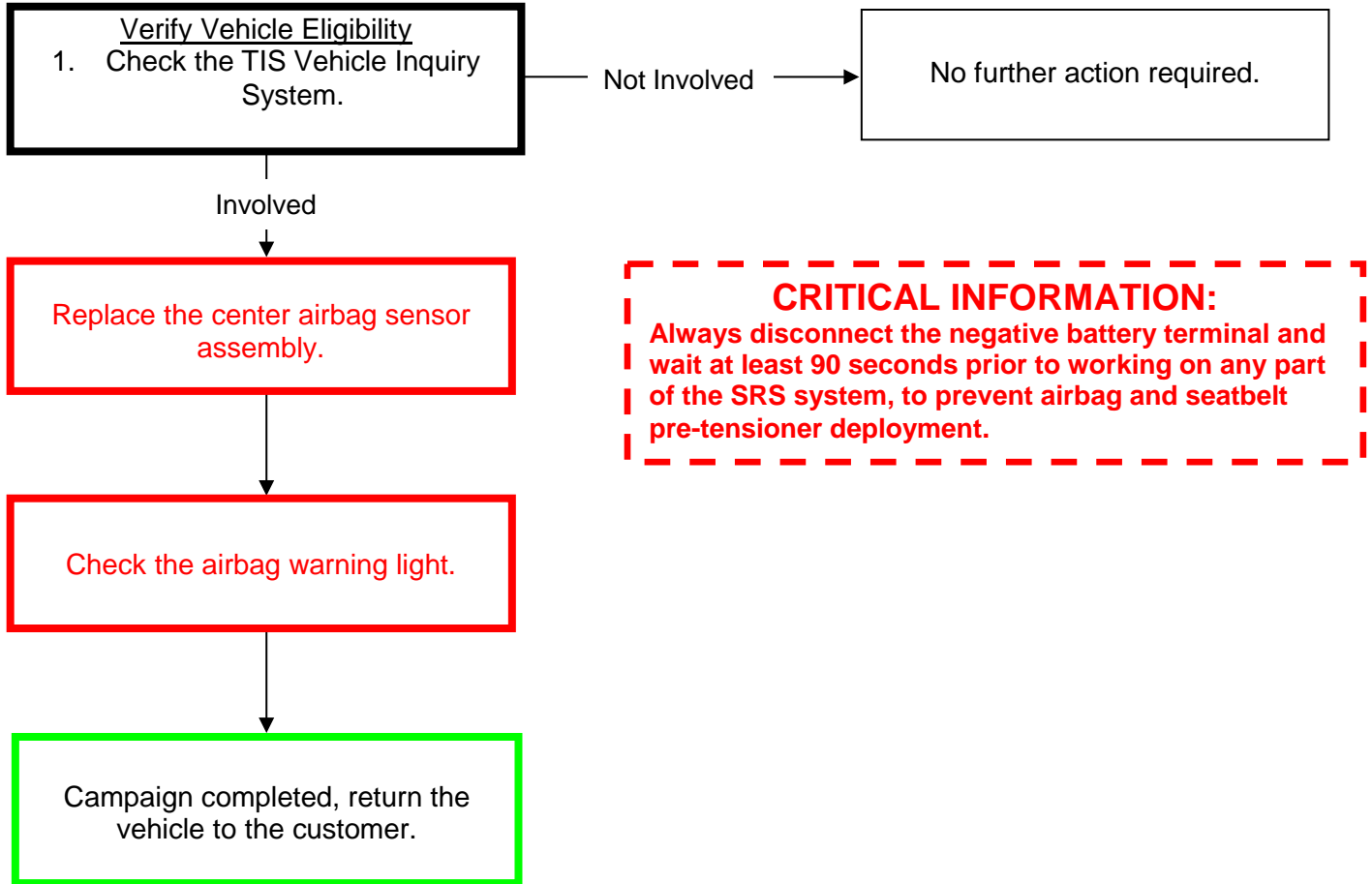
- **Part information added and additional safety warnings**

The repair quality of covered vehicles is extremely important to Toyota. All dealership technicians performing this repair are required to successfully complete the most current version of the E-Learning course “Safety Recall and Service Campaign Essentials”. To ensure that all vehicles have the repair performed correctly; technicians performing this repair are required to currently hold at least one of the following certification levels:

- **Toyota Expert Electrical**
- **Master**
- **Master Diagnostic Technicians**

Always check which technicians can perform the recall remedy by logging on to <https://www.uotdealerreports.com>. It is the dealership’s responsibility to select technicians with the above certification level or greater to perform this repair. Carefully review your resources, the technician skill level, and ability before assigning technicians to this repair. It is important to consider technician days off and vacation schedules to ensure there are properly trained technicians available to perform this repair at all times.

## I. OPERATION FLOW CHART



## II. IDENTIFICATION OF AFFECTED VEHICLES

- Check the TIS Vehicle Inquiry System to confirm the VIN is involved in this SSC and that the campaign has not already been completed prior to dealer shipment or by another dealer.
- TMS warranty will not reimburse dealers for repairs conducted on vehicles that are not affected or were completed by another dealer.

## III. PREPARATION

### A. PARTS

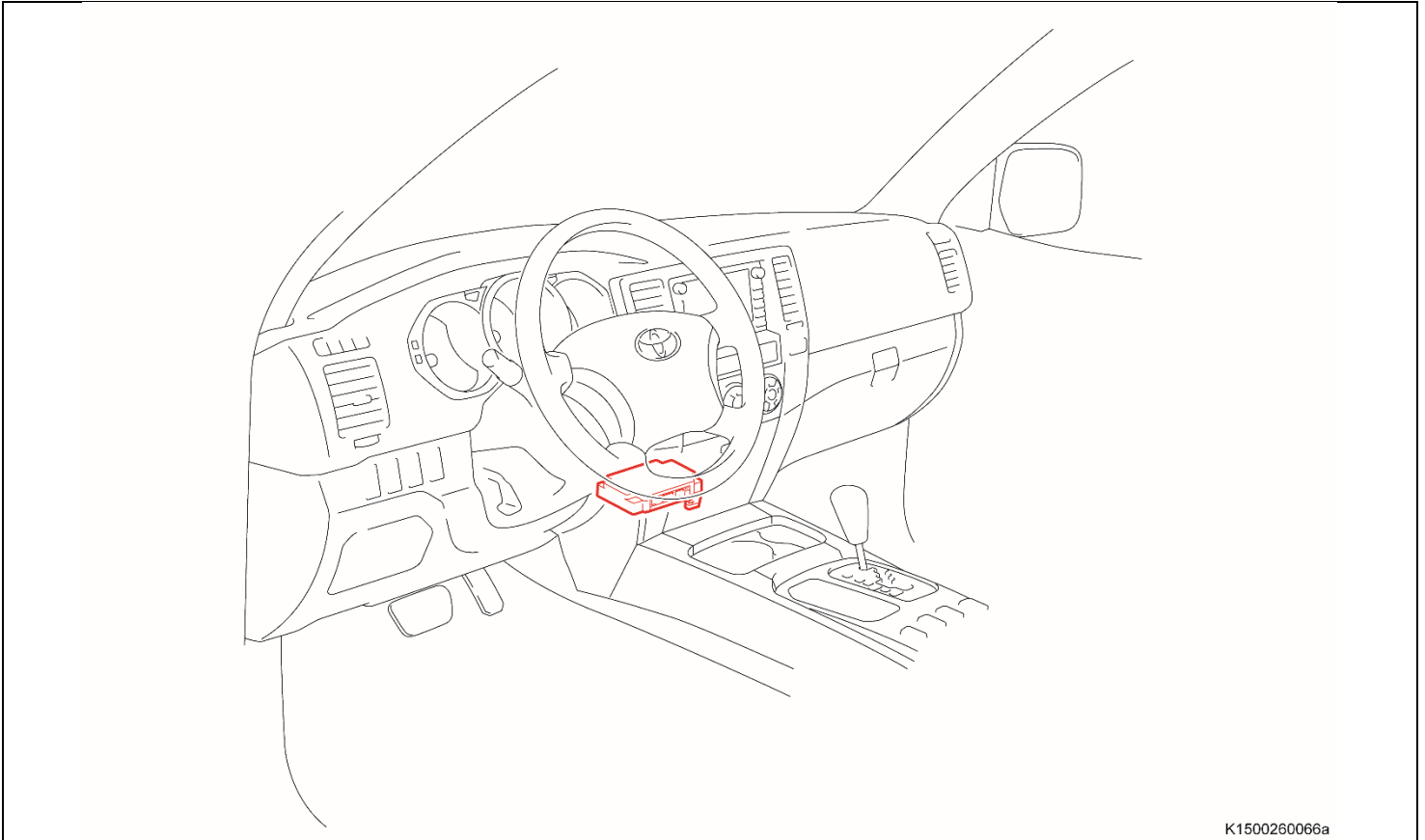
**NOTE:** Only one Air bag sensor is needed per vehicle. To determine which part number to order, input the VIN into the following website: <https://g0c-glb-parts-lookup.imagespm.info/>. Default password is xxxxx.

### B. TOOLS & EQUIPMENT

- Techstream
- Torque Wrench
- Standard Hand Tools
- Molding Remover Set

#### IV. BACKGROUND

The subject vehicles are equipped with side Curtain-Shield-Airbags (CSAs) which deploy from the roof rails in the event of certain types of crashes. Due to improper programming in the airbag control module, there is a possibility that, under certain specific and limited conditions shortly after vehicle startup, the CSAs and seat belt pre-tensioners could activate when not necessary. Unexpected activation of the CSAs could increase the risk of injury to the occupant.



K1500260066a

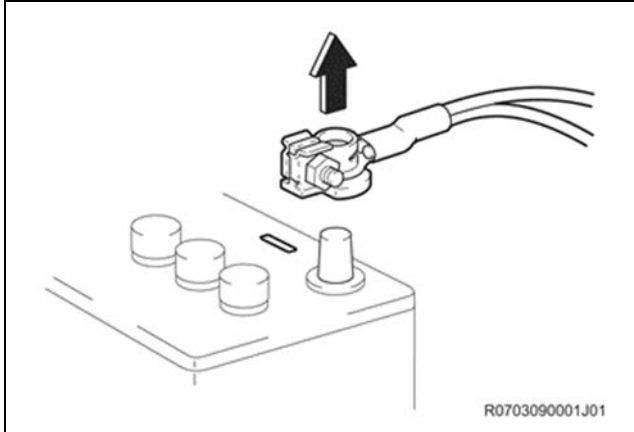
## V. SAFETY PRECAUTIONS



### CRITICAL INFORMATION – READ THOROUGHLY



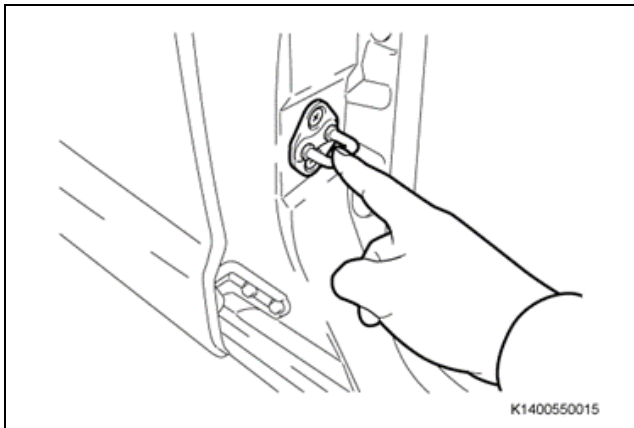
Failure to follow these procedures correctly could cause the SRS to unexpectedly deploy during servicing or the SRS may fail to operate correctly when required after reassembly. Confirm all work is performed safely as described in the following Technical Instructions.



#### 1. DISCONNECT THE BATTERY TERMINAL



- Always disconnect the negative terminal and wait 90 seconds before performing work to prevent airbag and seatbelt pretensioner deployment due to back-up battery supply.



#### 2. ELIMINATE STATIC ELECTRICITY

- a) Before removing ECU ground yourself by touching a metallic part of the vehicle.



#### 3. DO NOT DROP THE CENTER AIRBAG SENSOR

**NOTE:** DO NOT use power or pneumatic tools to remove the fasteners that secure the sensor to the vehicle.

## VI. REPLACING THE CENTER AIRBAG SENSOR

### 1. PERFORM A HEALTH CHECK

- a) Check to verify if there any air bag DTC's present (current, history, or pending).



This campaign only covers the replacement of the Airbag Sensor Assembly (SRS ECU). No other components in the SRS system are covered by this campaign.

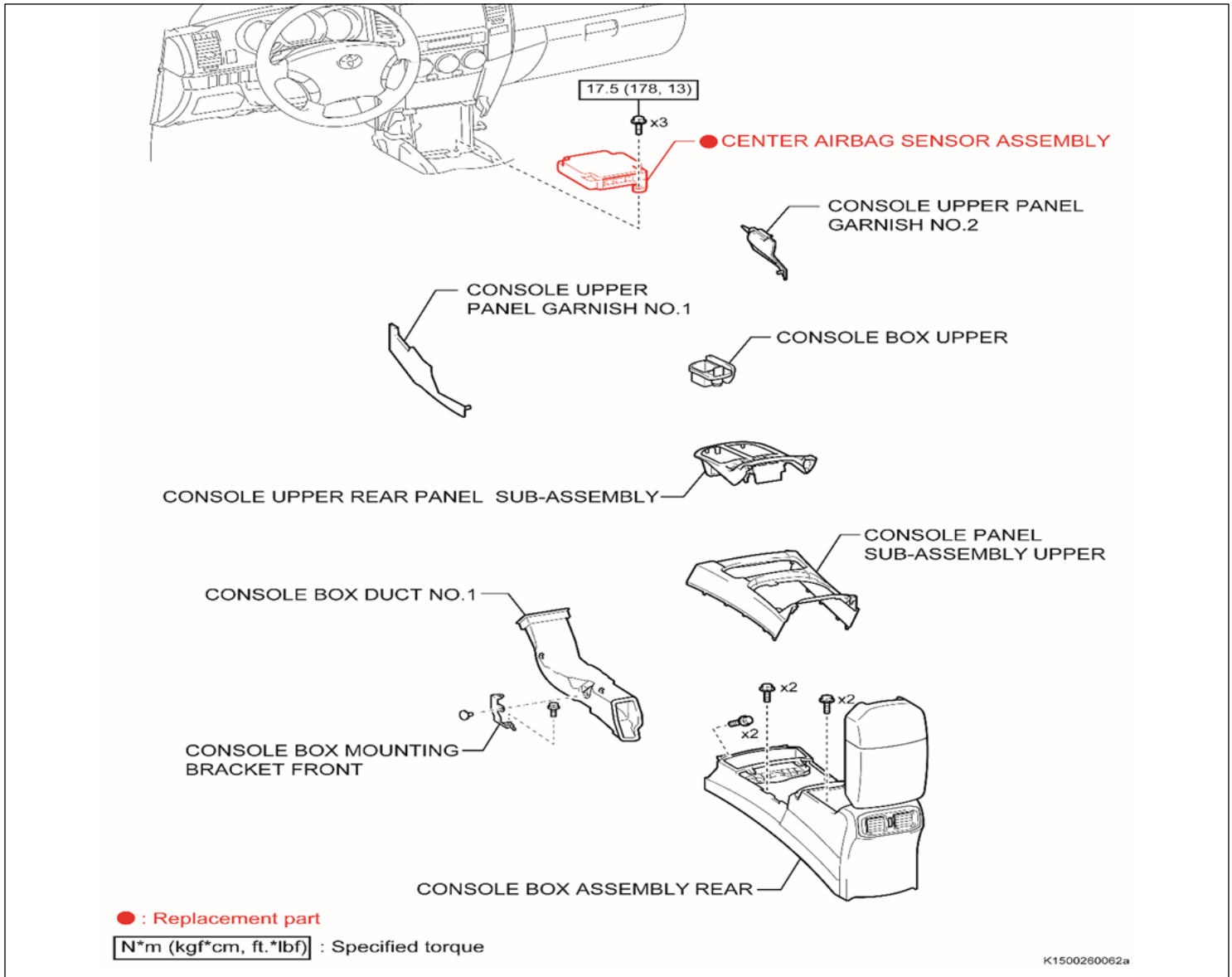
### 2. RECORD AND DOCUMENT CUSTOMERS VEHICLE SETTINGS

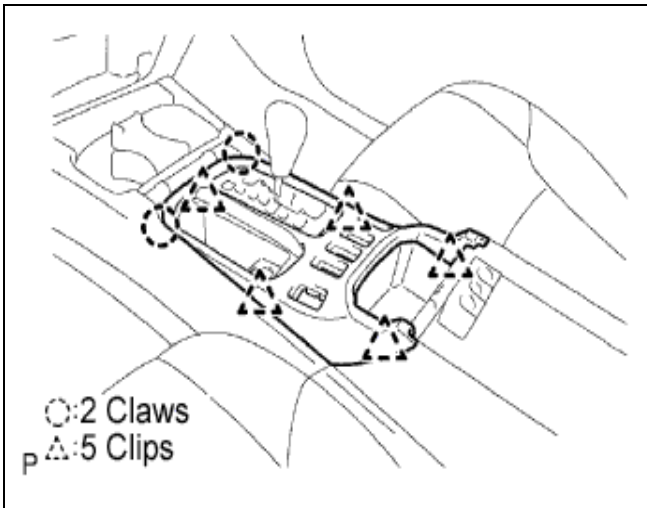
### 3. DISCONNECT THE NEGATIVE BATTERY TERMINAL



- Wait at least 90 seconds after disconnecting the cable from the negative battery terminal to prevent airbag and seat belt pre-tensioner deployment.
- Follow all precautions as outlined on TIS before servicing the SRS system.

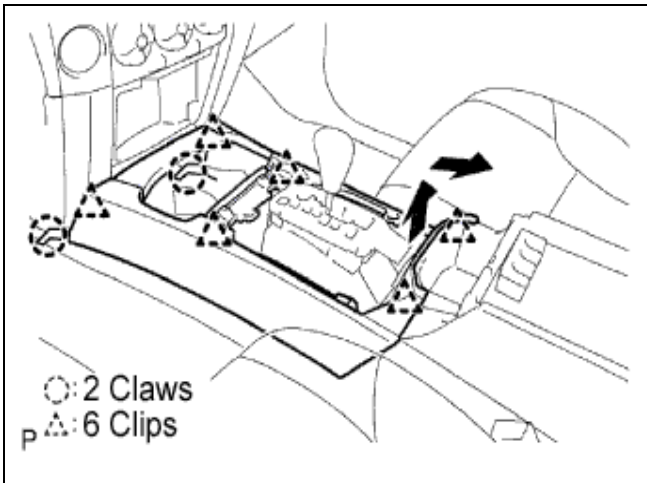
### 4. COMPONENTS INVOLVED IN THE REMOVAL OF THE CENTER AIRBAG SENSOR





**5. REMOVE CONSOLE UPPER REAR PANEL**

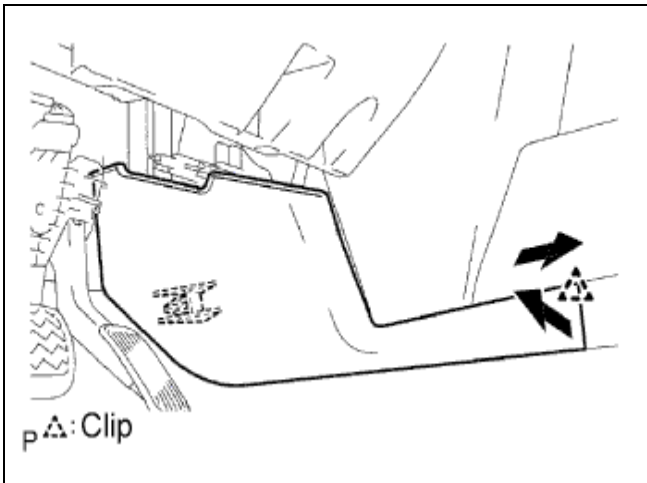
- a) Disengage the 5 clips and 2 claws, and remove the console upper rear panel, and then disconnect the connectors.



**6. REMOVE UPPER CONSOLE PANEL**

- a) Disengage the 6 clips and 2 claws, and then remove the upper console panel.

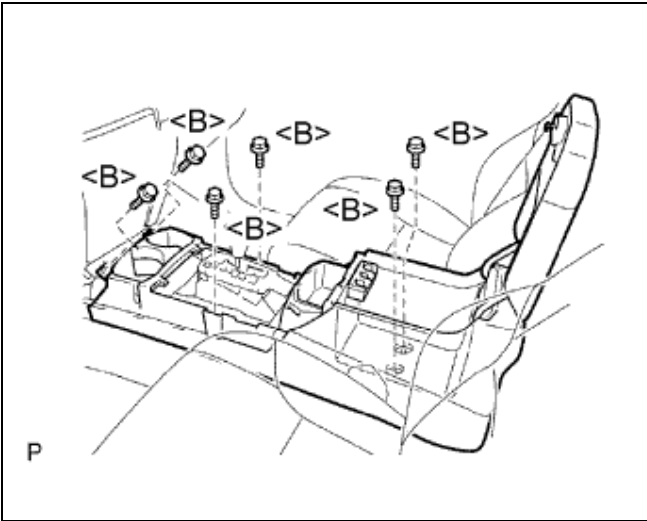
**NOTE:** Be careful not to snap the claws during the operation.



**7. REMOVE NO. 1 CONSOLE UPPER PANEL GARNISH**

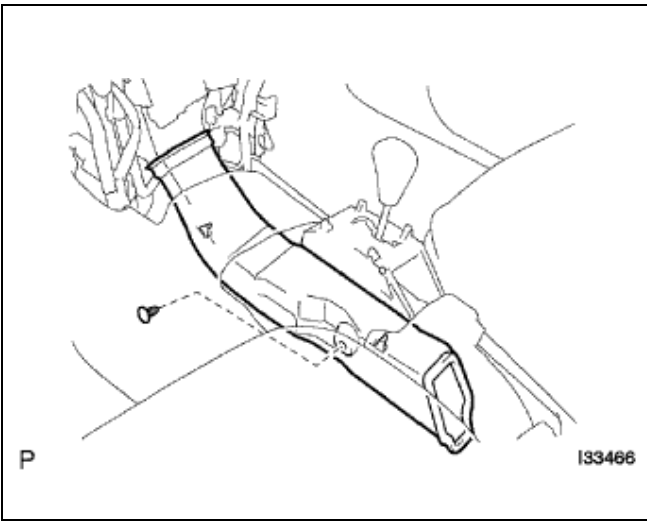
- a) Disengage the clip.
- b) Pull the No. 1 console upper panel garnish rearward to be removed.

**8. REMOVE NO. 2 CONSOLE UPPER PANEL GARNISH**



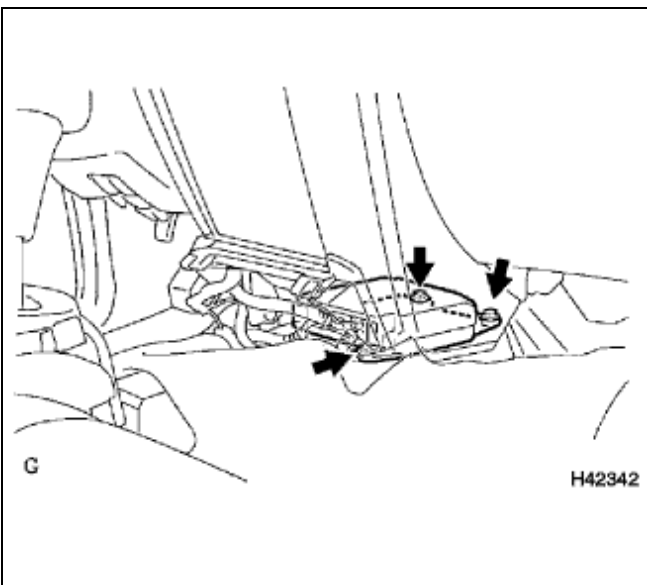
### 9. REMOVE REAR CONSOLE BOX

- a) Disconnect the connectors.
- b) Remove the 6 bolts <B> and rear console box.



### 10. DISCONNECT CONSOLE BOX DUCT NO. 1

- a) Remove the clip and disconnect the console box duct No. 1.



### 11. REMOVE THE CENTER AIRBAG SENSOR

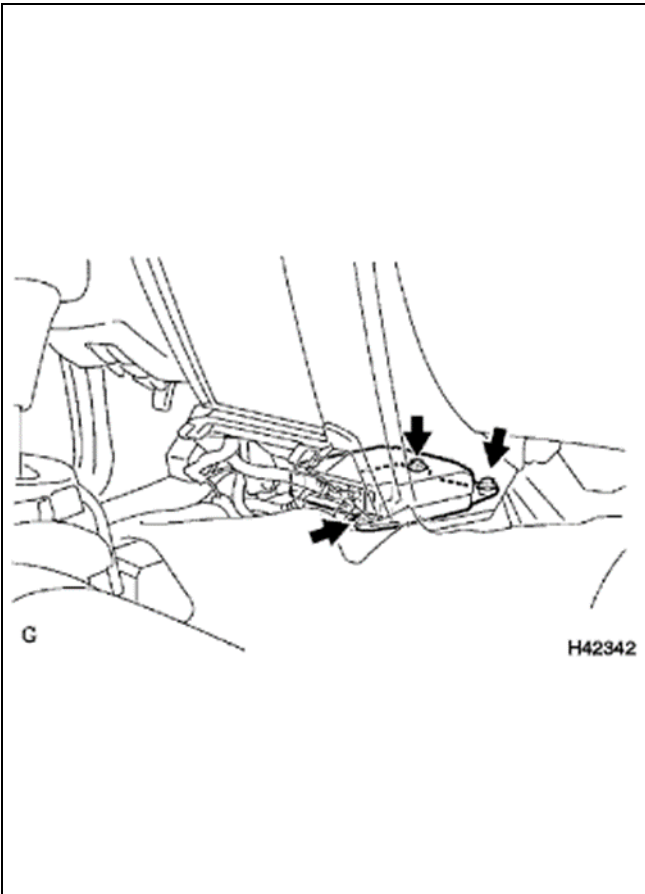


- Confirm that the negative battery terminal is disconnected before performing the operation. Even an impact to only the airbag sensor will cause the airbag to deploy.
- Wait at least 90 seconds after disconnecting the negative battery terminal to prevent airbag and seat belt pre-tensioner deployment.

- a) Disconnect the 3 connectors from the center airbag sensor.
- b) Remove the 3 bolts and the center airbag sensor.

**NOTE: DO NOT use power or pneumatic tools to remove the fasteners that secure the sensor to the vehicle.**

## VII. INSTALL THE NEW CENTER AIRBAG SENSOR



### 1. INSTALL THE NEW CENTER AIRBAG SENSOR

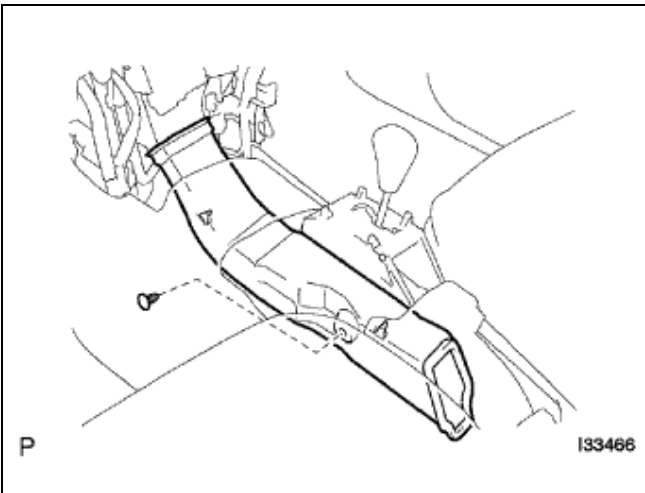
- a) Check that the ignition switch is off.

**NOTE:** Verify that the campaign p/n and the sensor p/n match up. Always order the 04006-xxxxx p/n for vehicles covered by this campaign.

Campaign PN	Sensor PN
04006-27135	89170-35192
04006-27235	89170-35222

**DO NOT** use power or pneumatic tools to install the fasteners that secure the sensor to the vehicle.

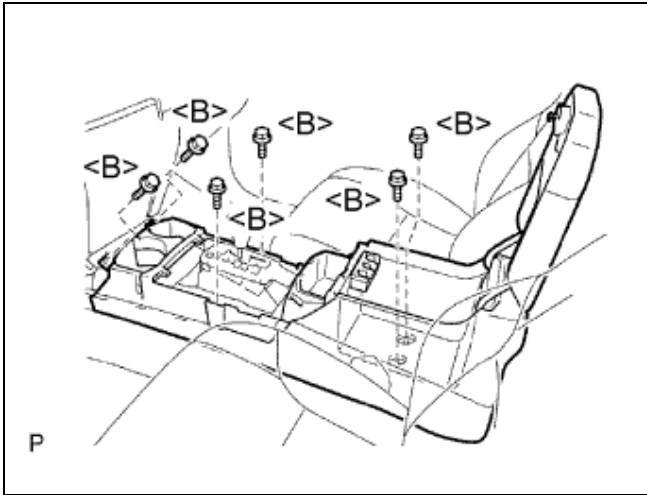
- b) Temporarily install the center airbag sensor with the 3 bolts.
- c) Tighten the 3 bolts to the specified torque.  
**Torque:**  
**17.5 N·m {179kgf·cm, 13ft·lbf }**
- d) Re-connect the 3 connectors to the center airbag sensor.
- e) Check that the waterproof sheet is properly set.



### 2. REINSTALL CONSOLE BOX DUCT NO. 1

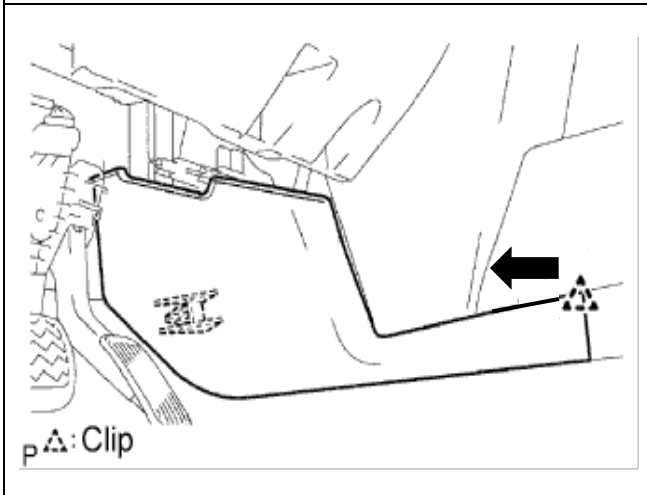
- a) Reattach the clip and connect the console box duct No. 1.





### 3. RE-INSTALL REAR CONSOLE BOX

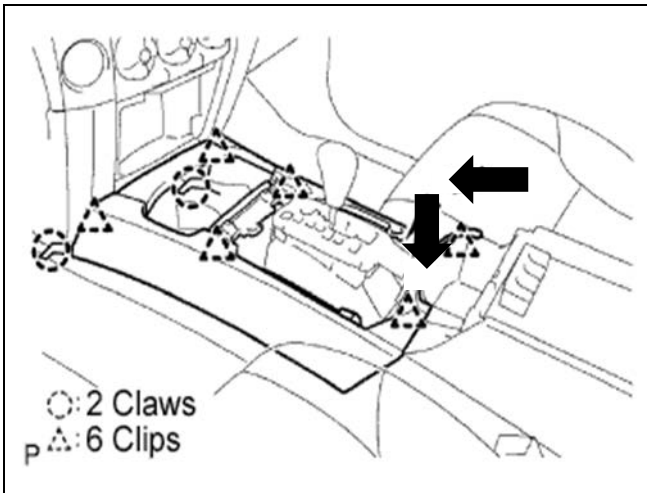
- a) Connect the connectors.
- b) Reinstall the rear console box with the 6 bolts <B>.



### 4. REINSTALL CONSOLE UPPER PANEL GARNISH NO. 1

- a) Engage the clip.
- b) Push the No. 1 console upper panel garnish forward to reinstall.

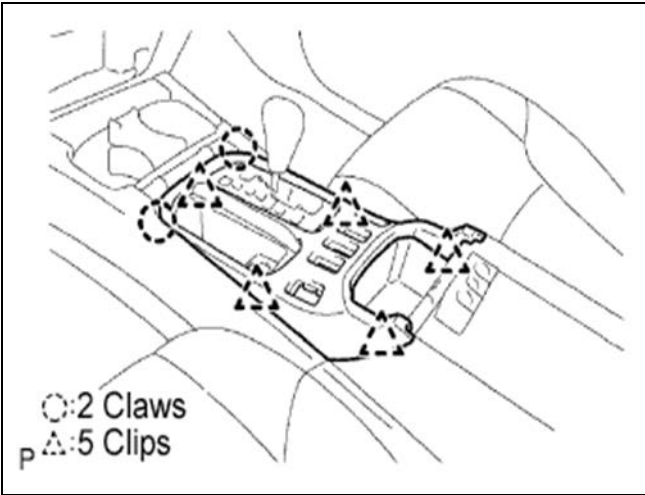
### 5. REINSTALL CONSOLE UPPER PANEL GARNISH NO. 2



### 6. REINSTALL THE REAR CONSOLE PANEL UPPER

- a) Engage the 6 clips and 2 claws to reinstall the upper console panel.

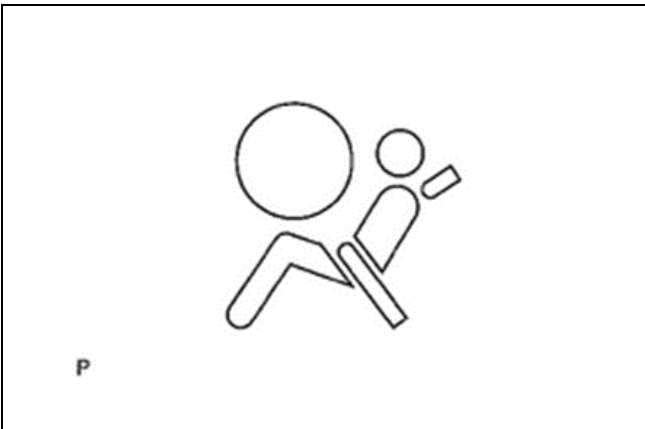
**NOTE:** Be careful not to snap the claws during the operation.



#### 7. REINSTALL CONSOLE UPPER REAR PANEL

- a) Reconnect the connectors. Engage the 5 clips and 2 claws, and then insert the console upper rear panel.

#### 8. RECONNECT THE NEGATIVE BATTERY TERMINAL AND PERFORM ANY NEEDED INITIALIZATIONS



#### 9. INSPECT SRS WARNING LIGHT

- a) Turn the ignition switch to the ON position, and check that the SRS warning light comes on for approximately 6 seconds (primary check).
- b) Check that the SRS warning light goes off approximately 6 seconds after the ignition switch is turned to the ON position (constant check).

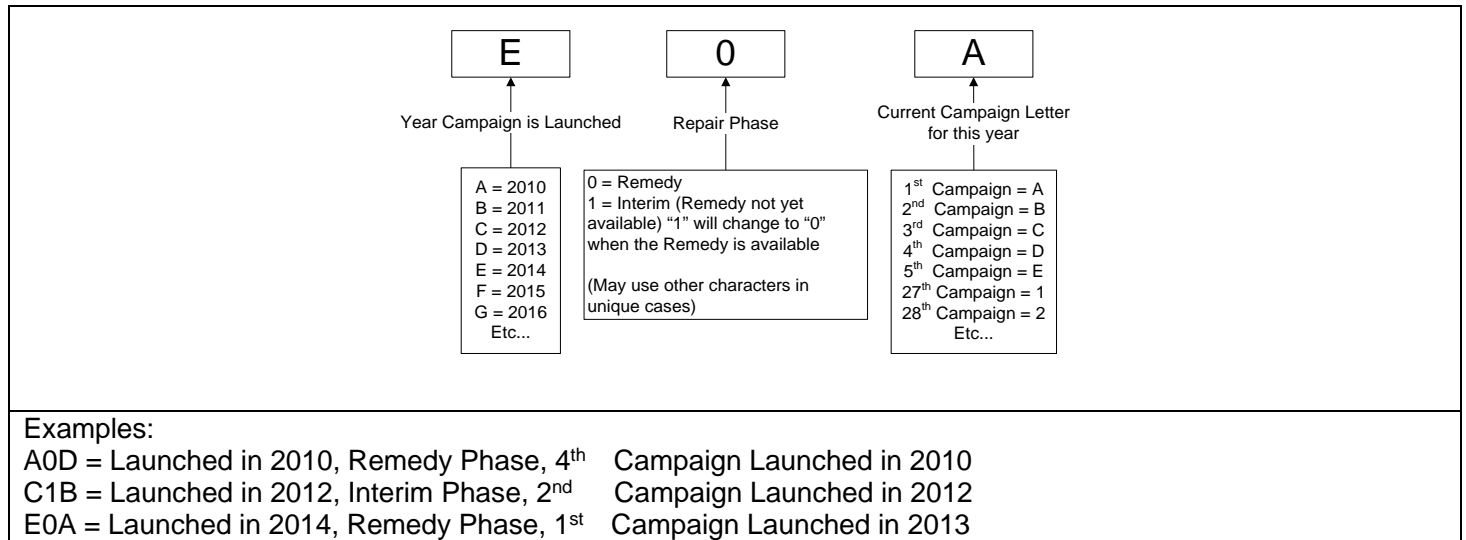
### ◀ VERIFY REPAIR QUALITY ▶

- Take extra precaution with removal and installation of the rear console panel upper. The clips have a greater opportunity to break.

If you have any questions regarding this update, please contact your area representative.

## VII. APPENDIX

### A. CAMPAIGN DESIGNATION DECODER



### B. CAMPAIGN PARTS DISPOSAL

As required by Federal Regulations, please make sure all campaign parts (original parts) removed from the vehicle are disposed of in a manner in which they will not be reused, ***unless requested for parts recovery return.***