

TECHNICAL INSTRUCTIONS
FOR
CAMPAIGN GLB
CENTER AIRBAG SENSOR ASSEMBLY (SRS ECU)
CERTAIN 2004 – 2006 MY GX470

Updated 11-21-17

Update 11-21-17

- **Part information updated**

Update 03-24-17

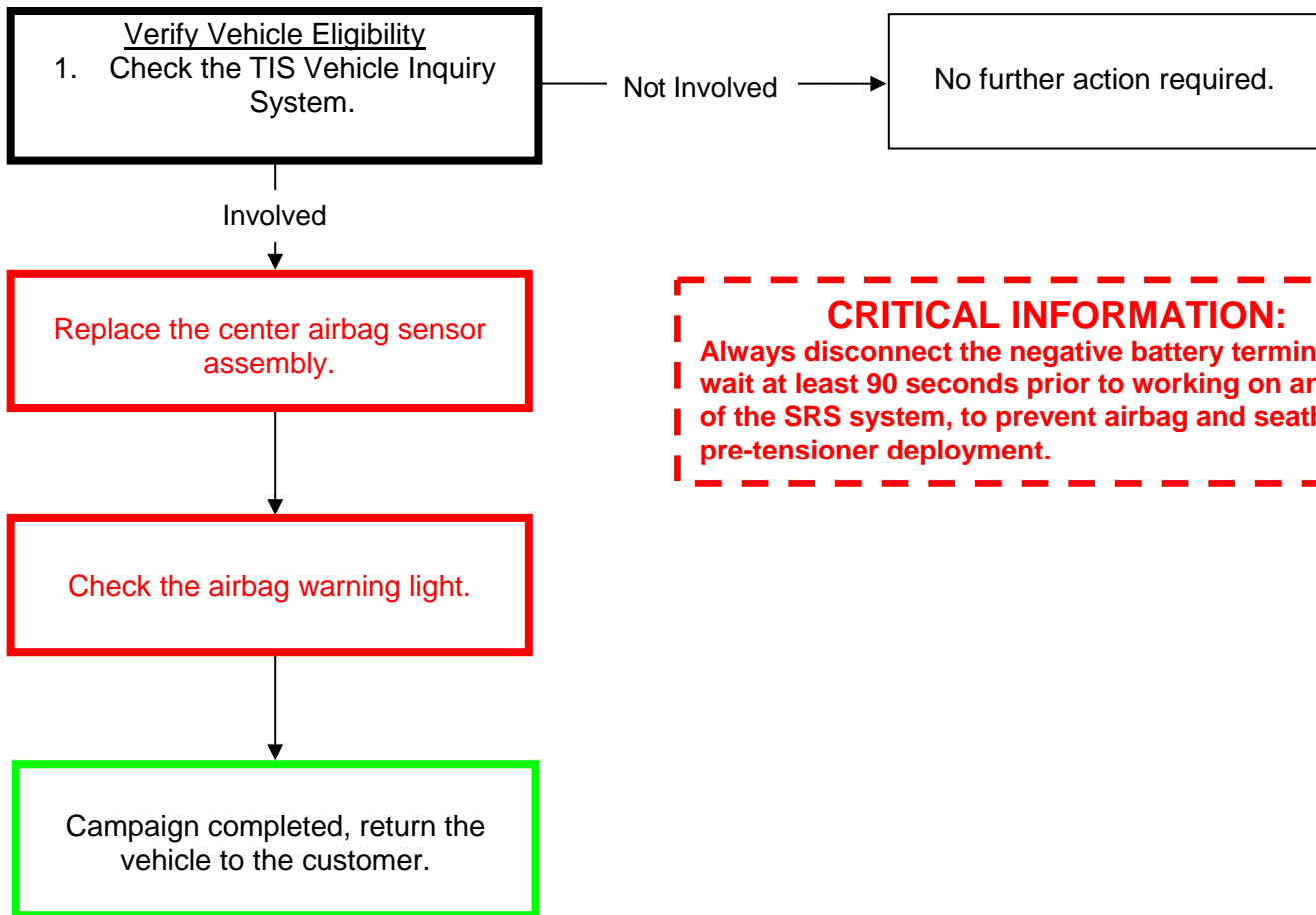
- **Part information added and additional safety warnings**

The repair quality of covered vehicles is extremely important to Lexus. All dealership technicians performing this recall are required to successfully complete the most current version of the E-Learning course "Safety Recall and Service Campaign Essentials". To ensure that all vehicles have the repair performed correctly; Only Lexus Certified and Senior Service Technicians and above, with successful completion of L453, L652, and LSC13A are approved to conduct this repair

- Senior
- Master
- Master Diagnostic Specialist

It is the dealership's responsibility to select technicians with the above certification level or greater to perform this recall repair. Carefully review your resources, the technician skill level, and ability before assigning technicians to this repair. It is important to consider technician days off and vacation schedules to ensure there are properly trained technicians available to perform this repair at all times.

I. OPERATION FLOW CHART



II. IDENTIFICATION OF AFFECTED VEHICLES

- Check the TIS Vehicle Inquiry System to confirm the VIN is involved in this SSC and that the campaign has not already been completed prior to dealer shipment or by another dealer.
- TMS warranty will not reimburse dealers for repairs conducted on vehicles that are not affected or were completed by another dealer.

III. PREPARATION

A. PARTS

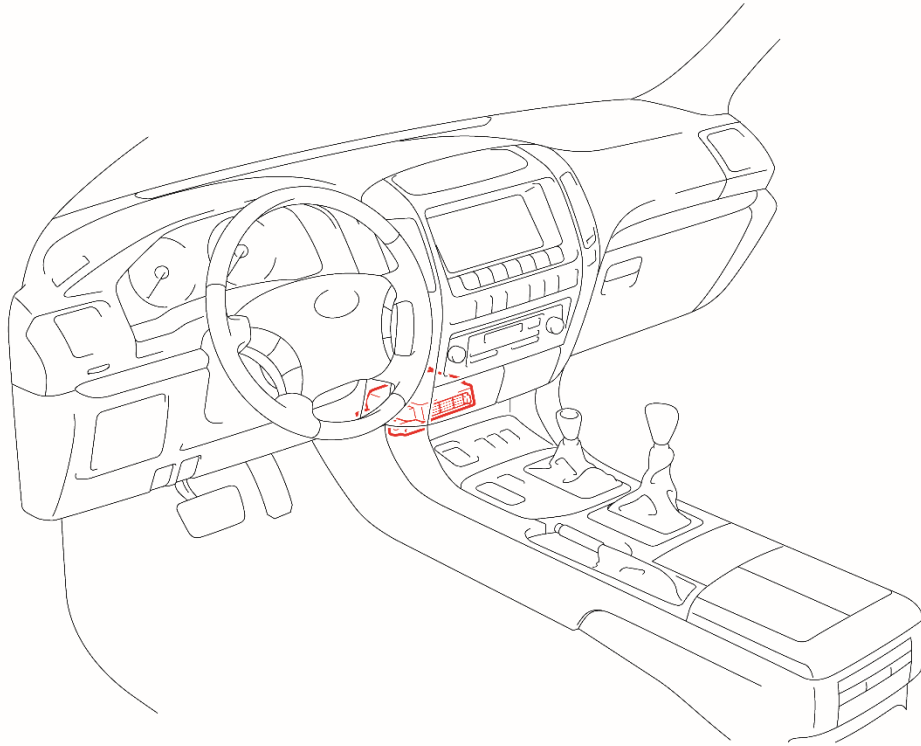
NOTE: Only one Air bag sensor is needed per vehicle. To determine which part number to order, input the VIN into the following website: <https://q0c-qlb-parts-lookup.imagespm.info/>. Default password is xxxxx.

B. TOOLS & EQUIPMENT

- Techstream
- Torque Wrench
- Standard Hand Tools
- Molding Remover Set

IV. BACKGROUND

The subject vehicles are equipped with side Curtain-Shield-Airbags (CSAs) which deploy from the roof rails in the event of certain types of crashes. Due to improper programming in the airbag control module, there is a possibility that, under certain specific and limited conditions shortly after vehicle startup, the CSAs and seat belt pre-tensioners could activate when not necessary. Unexpected activation of the CSAs could increase the risk of injury to the occupant.



K1500260065a

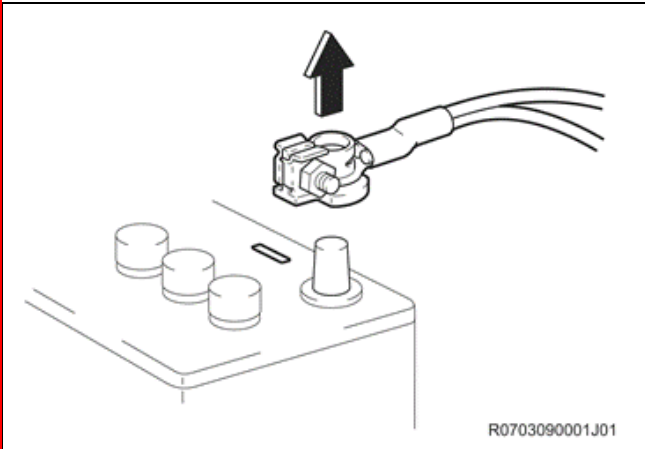
V. SAFETY PRECAUTIONS



CRITICAL INFORMATION – READ THOROUGHLY



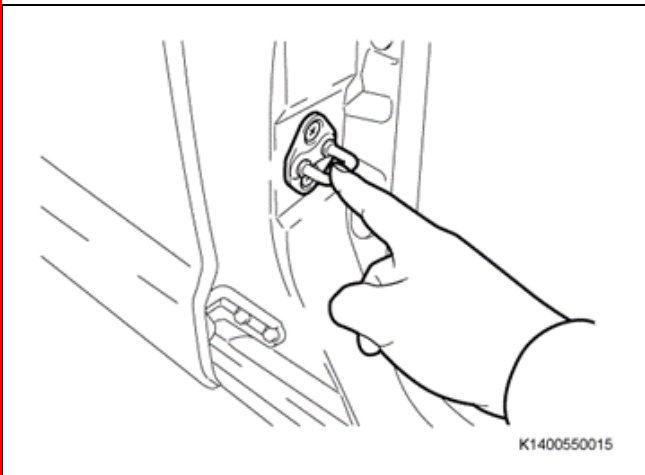
Failure to follow these procedures correctly could cause the SRS to unexpectedly deploy during servicing or the SRS may fail to operate correctly when required after reassembly. Confirm all work is performed as described in these instructions.



1. DISCONNECT THE NEGATIVE BATTERY TERMINAL



- Always disconnect the negative terminal and wait 90 seconds before performing work to prevent airbag and seatbelt pretensioner deployment due to back-up battery supply.



2. ELIMINATE STATIC ELECTRICITY

- a) Before removing ECU ground yourself by touching metallic part of the vehicle.



3. DO NOT DROP THE CENTER AIRBAG SENSOR

NOTE: DO NOT use power or pneumatic tools to remove the fasteners that secure the sensor to the vehicle.

VI. REPLACING THE CENTER AIRBAG SENSOR (SRS ECU)

1. PERFORM A HEALTH CHECK

- Check to verify if there any air bag DTC's present (current, history, or pending).



This campaign only covers the replacement of the Airbag Sensor Assembly (SRS ECU). No other components in the SRS system are covered by this campaign.

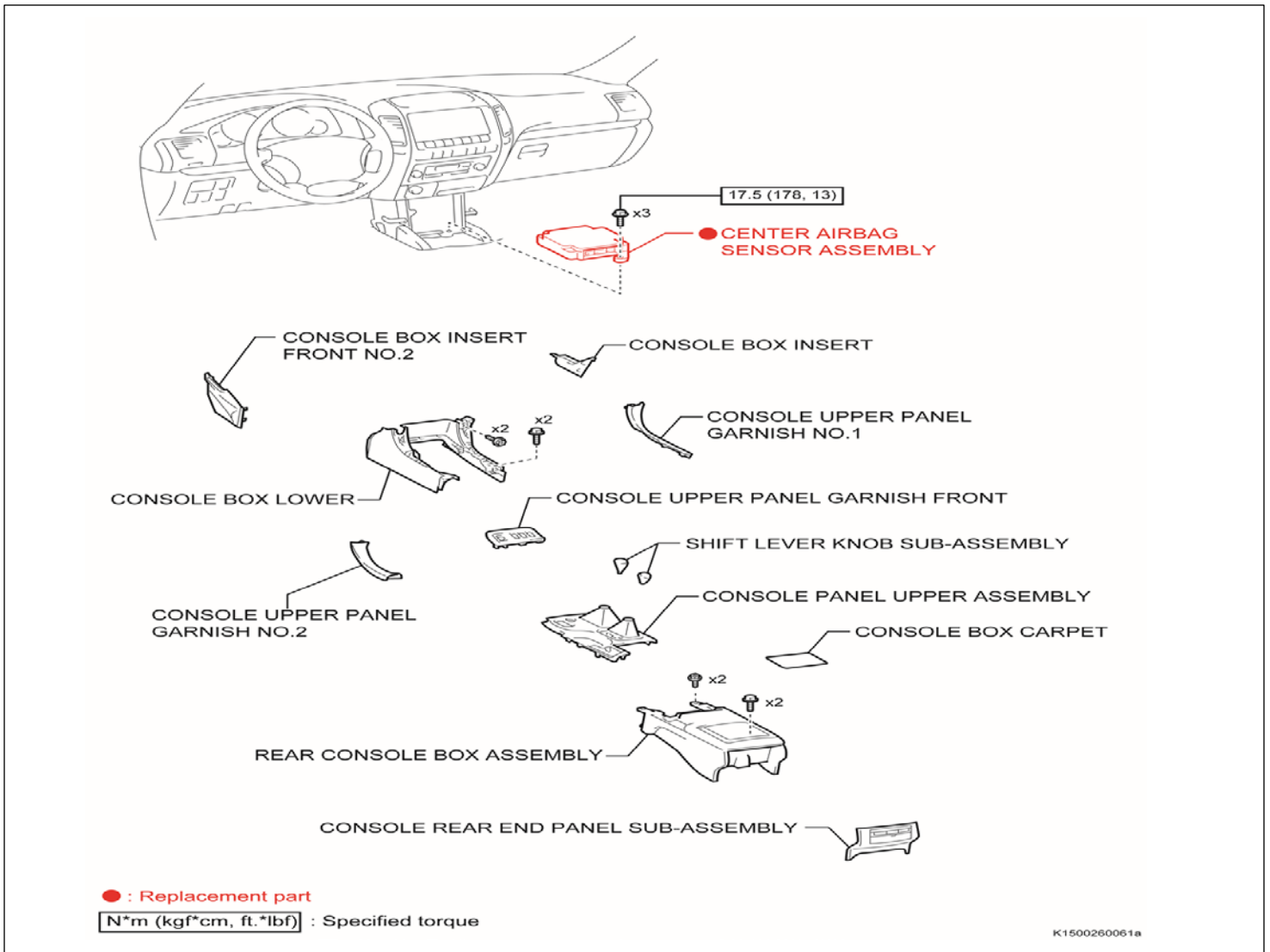
2. RECORD AND DOCUMENT CUSTOMERS VEHICLE SETTINGS

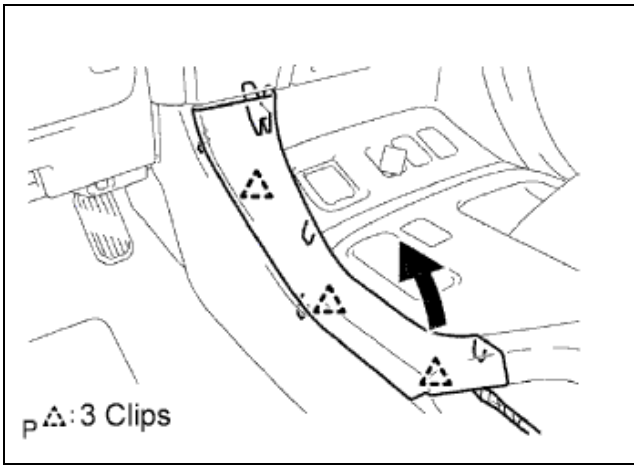
3. DISCONNECT THE NEGATIVE BATTERY TERMINAL



- Wait at least 90 seconds after disconnecting the cable from the negative battery terminal to prevent airbag and seat belt pre-tensioner deployment.
- Follow all precautions as outlined on TIS before servicing the SRS system.

4. COMPONENTS INVOLVED IN THE REMOVAL OF THE CENTER AIRBAG SENSOR

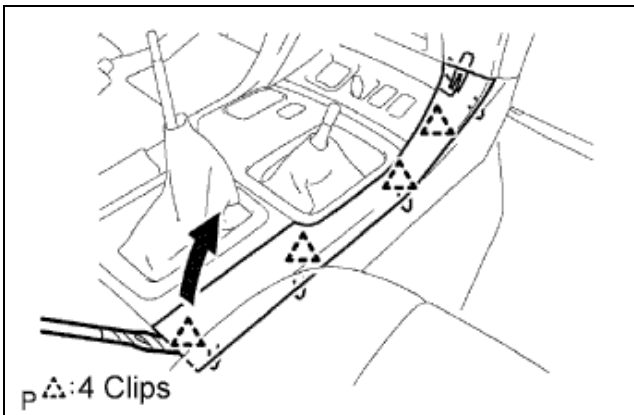




5. REMOVE SHIFT LEVER KNOB

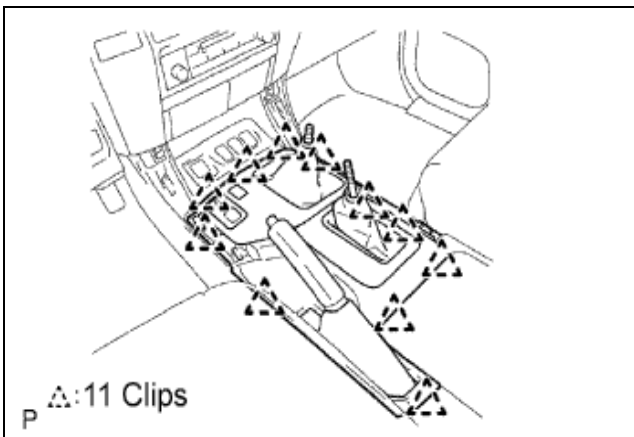
6. REMOVE NO. 2 CONSOLE UPPER PANEL GARNISH

- a) Disengage the 3 clips and remove the No. 2 console upper panel garnish,



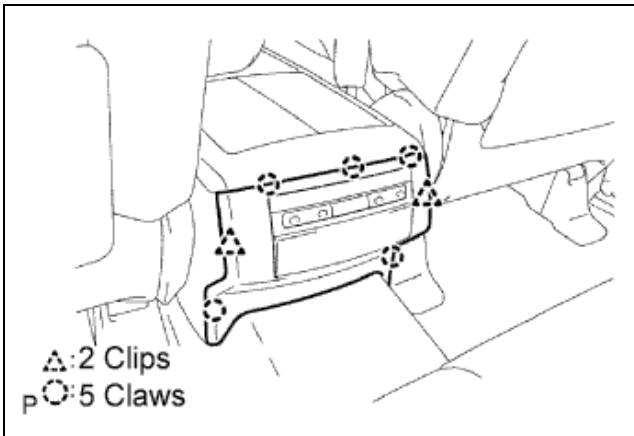
7. REMOVE NO. 1 CONSOLE UPPER PANEL GARNISH

- a) Disengage the 4 clips and remove the No. 2 console upper panel garnish,



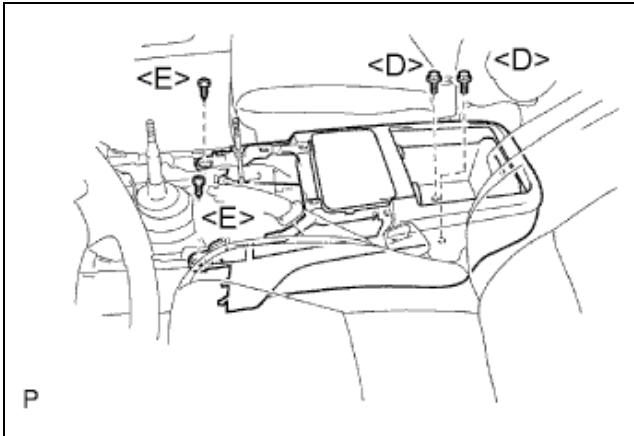
8. REMOVE CONSOLE PANEL UPPER

- a) Disengage the 11 clips and remove the upper console panel, then disconnect the connectors.



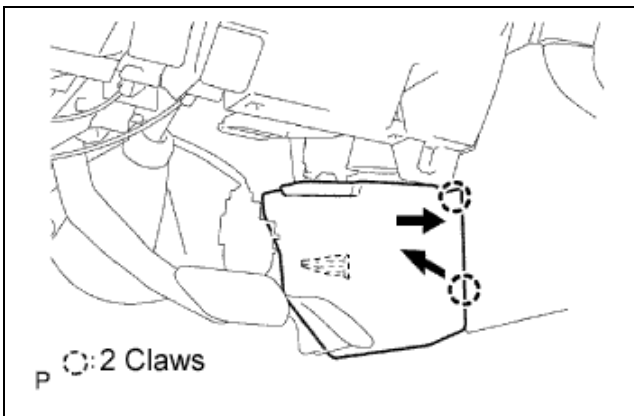
9. REMOVE CONSOLE REAR END PANEL

- a) Disengage the 2 clips and the 5 claws, and then remove the console rear end panel.
- b) Disconnect the connectors.



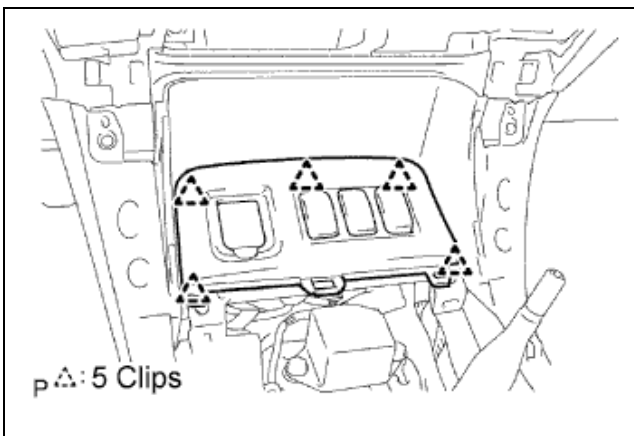
10. REMOVE REAR CONSOLE BOX

- a) Remove the 2 bolts <D>, the 2 screws <E> and the rear console box.



11. REMOVE FRONT NO. 2 CONSOLE BOX INSERT

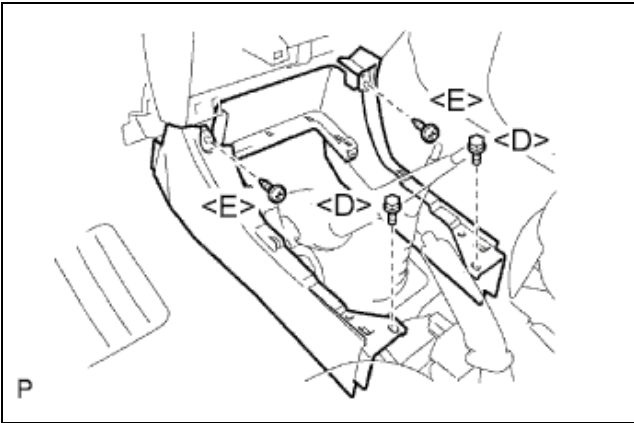
- a) Disengage the 2 claws.
- b) Pull the front NO. 2 console box insert rearward to remove it.



12. REMOVE CONSOLE BOX INSERT

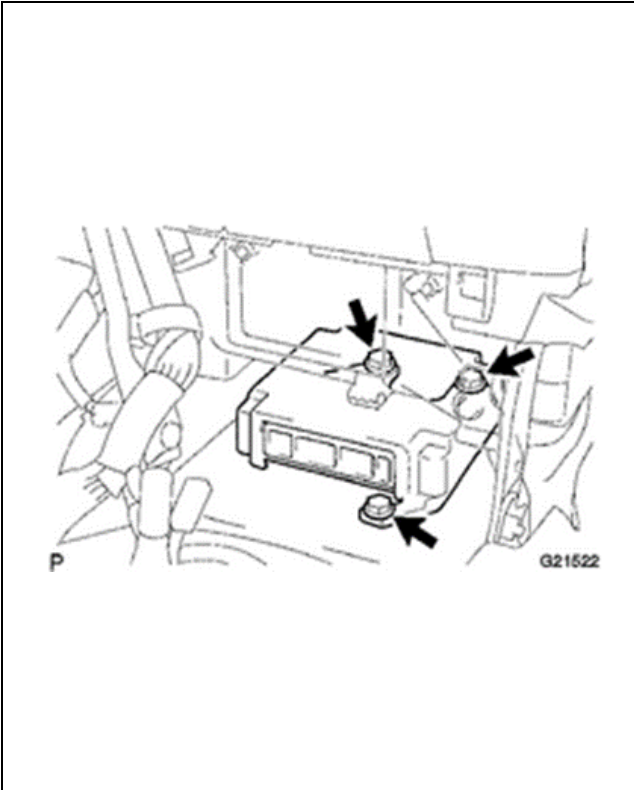
13. REMOVE FRONT CONSOLE UPPER PANEL GARNISH

- a) Disengage the 5 clips and remove the front console upper panel garnish, then disconnect the connectors.



14. REMOVE LOWER CONSOLE BOX

- a) Remove the bolts <D>.
- b) Remove the 2 screws <E> and the lower console box.



15. REMOVE THE CENTER AIRBAG SENSOR

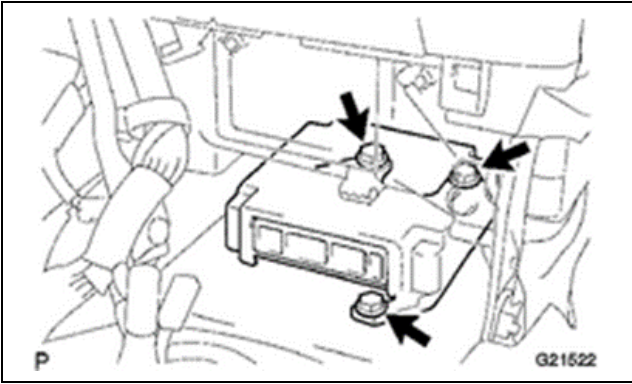


- Confirm that the negative battery terminal is disconnected before performing the operation. Even an impact to only the airbag sensor will cause the airbag to deploy.
- Wait at least 90 seconds after disconnecting the negative battery terminal to prevent airbag and seat belt pre-tensioner deployment.

- a) Disconnect the 3 connectors from the center airbag sensor.
- b) Remove the 3 bolts and the center airbag.

NOTE: DO NOT use power or pneumatic tools to remove the fasteners that secure the sensor to the vehicle.

VII. INSTALLATION OF THE NEW CENTER AIRBAG SENSOR



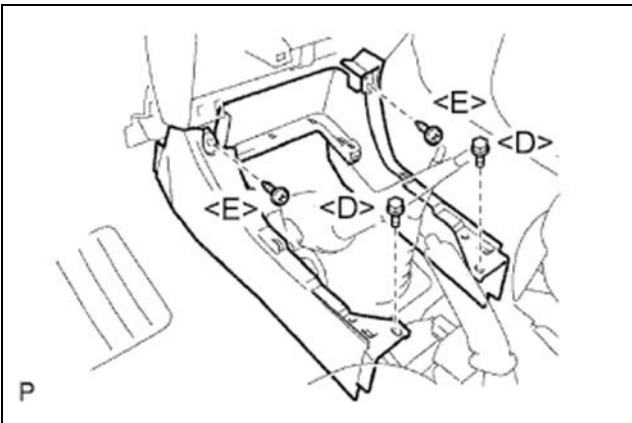
1. INSTALL CENTER AIRBAG SENSOR

- a) Check that the ignition switch is off.
- b) Install center airbag sensor assembly with the 3 bolts
- c) Tighten the 3 bolts to the specified torque.

Torque:

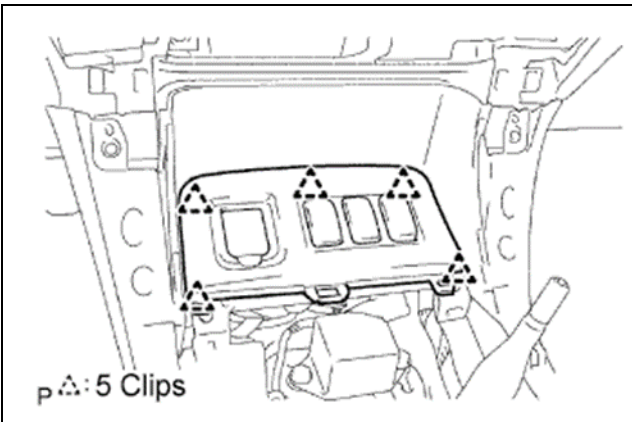
17.5 N·m {179 kgf·cm, 13ft·lbf}

- d) Connect the airbag sensor connectors.



2. REINSTALL CONSOLE BOX LOWER

- a) Reinstall the bolts <D>.
- b) Reinstall the 2 screws <E> and the lower console box.



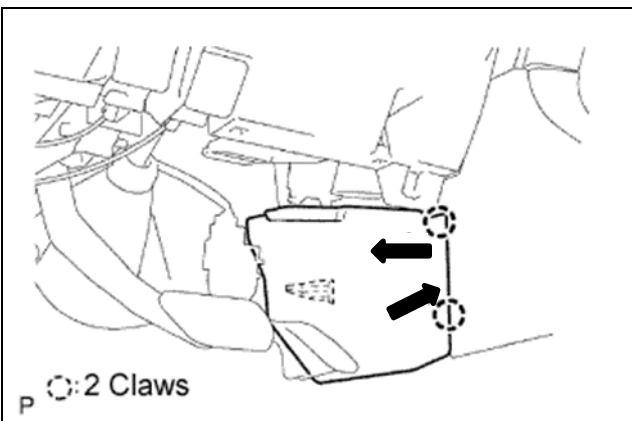
3. REINSTALL CONSOLE UPPER PANEL GARNISH FRONT

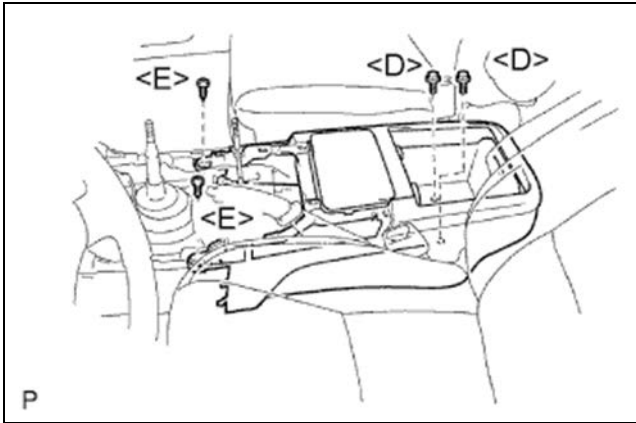
- a) Reconnect the connectors, then engage the 5 clips and reinstall the front console upper panel garnish.

4. REINSTALL CONSOLE BOX INSERT

5. RE-INSTALL CONSOLE BOX INSERT FRONT NO. 2

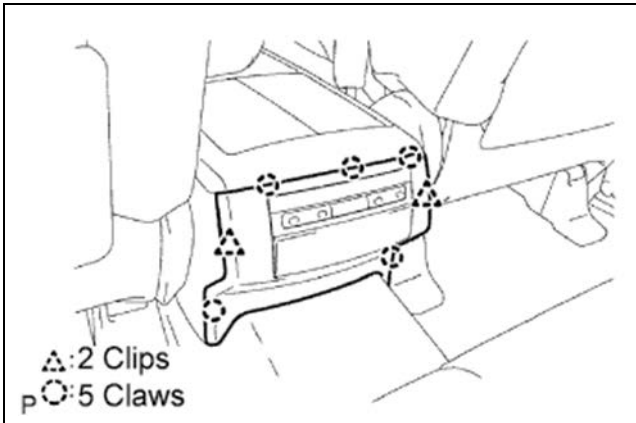
- a) Engage the 2 claws.
- b) Push the front NO. 2 console box insert forward to reinstall it.





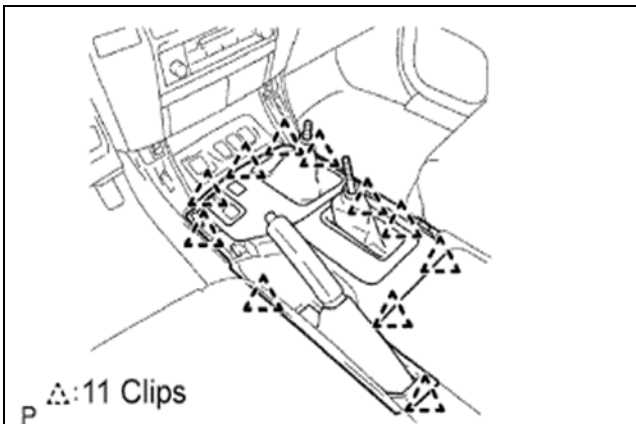
6. RE-INSTALL REAR CONSOLE BOX ASSEMBLY

- a) Reinstall the 2 bolts <D>, the 2 screws <E> and the rear console box.



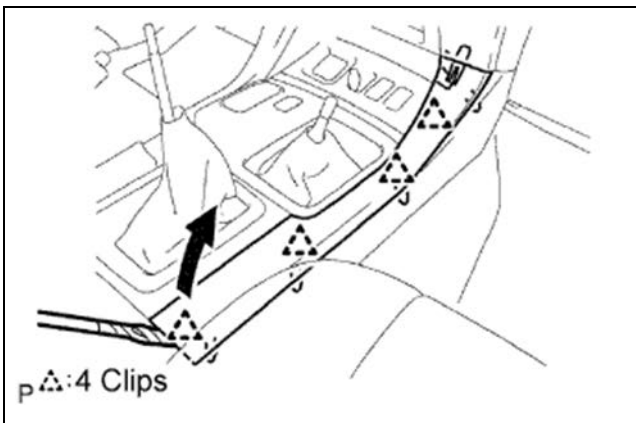
7. RE-INSTALL CONSOLE REAR END PANEL

- a) Reconnect the connectors.
- b) Engage the 2 clips and the 5 claws, and then reinstall the console rear end panel.



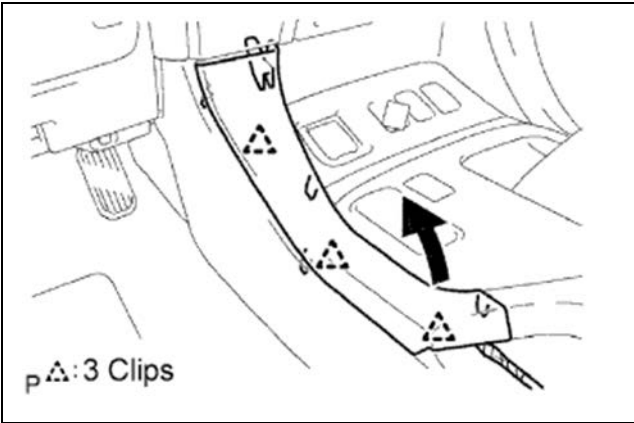
8. REINSTALL CONSOLE PANEL UPPER ASSEMBLY

- a) Reconnect the connectors, then engage the 11 clips and reinstall the upper console panel.



9. REINSTALL CONSOLE UPPER PANEL GARNISH NO. 1

- a) Engage the 4 clips and reinstall the No. 2 console upper panel garnish,



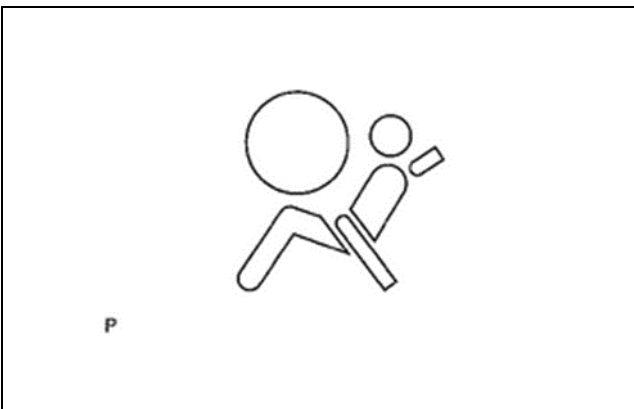
10. REINSTALL CONSOLE UPPER PANEL GARNISH

NO. 2

- a) Engage the 3 clips and reinstall the No. 2 console upper panel garnish,

11. REINSTALL SHIFT LEVER KNOB

12. RECONNECT THE NEGATIVE BATTERY TERMINAL AND PERFORM ANY NEEDED INITIALIZATIONS



13. INSPECT SRS WARNING LIGHT

- a) Turn the ignition switch to the ON position, and check that the SRS warning light comes on for approximately 6 seconds (primary check).
- b) Check that the SRS warning light goes off approximately 6 seconds after the ignition switch is turned to the ON position (constant check).

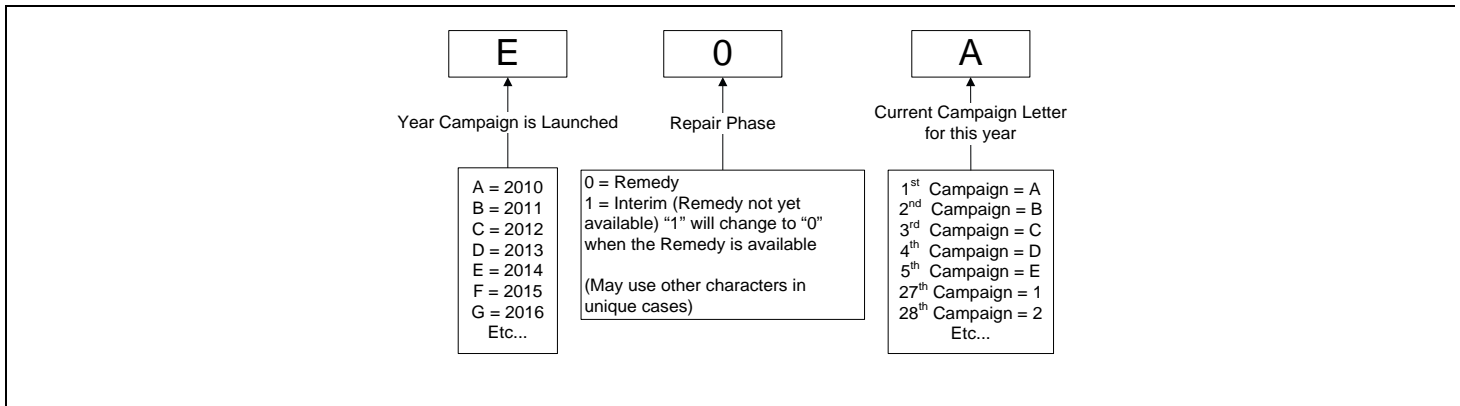
◀ VERIFY REPAIR QUALITY ▶

- Ensure all precautions are followed to ensure safety during the repair.

If you have any questions regarding this update, please contact your area representative.

VII. APPENDIX

A. CAMPAIGN DESIGNATION DECODER



Examples:

A0D = Launched in 2010, Remedy Phase, 4th Campaign Launched in 2010
C1B = Launched in 2012, Interim Phase, 2nd Campaign Launched in 2012
E0A = Launched in 2014, Remedy Phase, 1st Campaign Launched in 2013

B. CAMPAIGN PARTS DISPOSAL

As required by Federal Regulations, please make sure all campaign parts (original parts) removed from the vehicle are disposed of in a manner in which they will not be reused, ***unless requested for parts recovery return.***