



ABOVE & BEYOND

SAFETY RECALL P081 (NHTSA # 16V374): TAKATA PASSENGER AIRBAG

SERVICE BULLETIN

24-APR-17

NO.: SRE17-05
(issue 3)

SEC.: RECALL

MKT.: USA

Jaguar Land Rover North America, LLC has informed the National Highway Traffic Safety Administration (NHTSA) of its intent to perform a voluntary Safety Recall involving 2007-2011 model year Land Rover Range Rover vehicles imported into the United States market. Information relating to this proposed Recall will be posted on the National Highway Traffic Safety Administration website.

United States Federal regulations require that retailers must be notified within a reasonable time after the manufacturer decides that a defect that relates to motor vehicle safety or a noncompliance exists.

United States Federal law requires retailers to complete any outstanding Safety Recall service before a new vehicle is delivered to the buyer or lessee. Violation of this requirement by a retailer could result in a civil penalty of up to \$21,000.00 per vehicle.

This Recall Service Bulletin serves as notification to all Land Rover retailers in the United States that any affected new vehicles may not be sold and delivered for customer use until the Recall repair is completed.

**THIS BULLETIN UPDATES SRE16-06
ISSUE '3' CHANGES ARE HIGHLIGHTED IN BLUE**

DESCRIPTION OF ISSUE

Vehicles listed within the Affected Vehicle Range are equipped with certain Takata airbag inflators (Ammonium Nitrate without desiccant propellant) assembled as part of the front passenger airbag modules and used as original equipment or replacement equipment.

AFFECTED VEHICLE RANGE

Range Rover (L322)

Model Year 2007-2011

VIN: SALMF15457A233807-SALMP1E44BA360036

A total of 34,738 vehicles are potentially involved in the USA states and Federalized Territories in Zone A and Zone B as listed in Appendix 'A'.

This recall includes (i) 2007-2011 model year USA Land Rover Range Rover vehicles that have ever been registered in the States and Territories listed in the Appendix under 'Zone A'; and (ii) 2007-2008 model year vehicles under 'Zone B'. Jaguar Land Rover have no affected Land Rover Range Rover vehicles within 'Zone C' at this time.

Please refer to the National Highway Traffic Safety Administration (NHTSA) published information at <http://www.safercar.gov/rs/takata/takata-explainer.html> for more information regarding the geographical assignment and age for recall priority.

EFFECT ON VEHICLE OPERATION

In the event of a crash necessitating deployment of the front passenger airbag, these Takata inflators may rupture due to propellant degradation occurring after long-term exposure to absolute humidity and temperature cycling.

An inflator rupture may result in metal fragments striking the vehicle occupants and could result in serious **INJURY or DEATH**.

SERVICE PROGRAM / REWORK ACTION

Owners will be notified by mail and instructed to take their vehicle to an authorized Land Rover retailer, who will replace the front passenger airbag module.

There will be **NO CHARGE** to owners for this action.

OWNER NOTIFICATION

In accordance with the priority group schedule defined by the NHTSA based on age and geographical location, beginning 20 March 2017, owners of 2007-2009 model year Land Rover Range Rover vehicles will be notified by mail and instructed to take their vehicle to an authorized Land Rover retailer who will replace the front passenger airbag module. Owners of additional affected vehicles in Zone A or Zone B will be notified in future mailings.

ACTION TO BE TAKEN

Check DDW to ensure that the vehicle is affected by Program Code '**P081**' prior to undertaking any rework action.

Retailers are required to **HOLD** affected new vehicles that are within your control and refrain from releasing the vehicles for new vehicle sale pending completion of the rework action. Jaguar Land Rover North America recommends that affected sales demonstrator and loaner vehicles are repaired before use and that used vehicles are repaired before sale.

Sold vehicles will be subject to the standard Recall notification and Recall bulletin process detailing the action required for vehicles in the hands of owners. Affected vehicles already in the hands of customers should be updated at the next available opportunity.

Refer to Technical Bulletin P081NAS, *SAFETY RECALL: Takata Passenger Airbag*, for detailed repair instructions.

PARTS

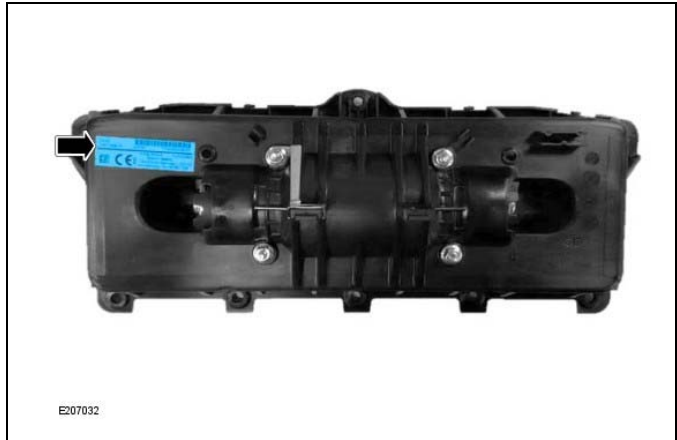
NOTE: when ordering parts, only order the expected percentage demand of parts identified. An initial supply of airbag and hardware kits has been shipped to all retailers to insure retailers have parts available at this program's announcement. Future parts orders should be placed by retailers as normal and only for the vehicles eligible for this program.

DESCRIPTION	PART NO. / SUNDRY CODE	QTY. / VALUE	EXPECTED % OF VEHICLES REQUIRING PARTS
Passenger airbag module	LR095854	1	100
Nut and washer kit	YYH500020	8	100
Bolt	RYG500230	2	100

NOTE: the serial number (example highlighted in blue) of the new airbag module MUST be recorded on the claim verbatim.

NOTE: if access to a smartphone or tablet with a QR scanner is not possible, take a clear photograph of the QR label and email this to jlrcamp@jaguarlandrover.com along with the Vehicle Identification Number (VIN) of the affected vehicle. A response will be sent with the passenger airbag module serial number, which must be recorded on the claim verbatim.

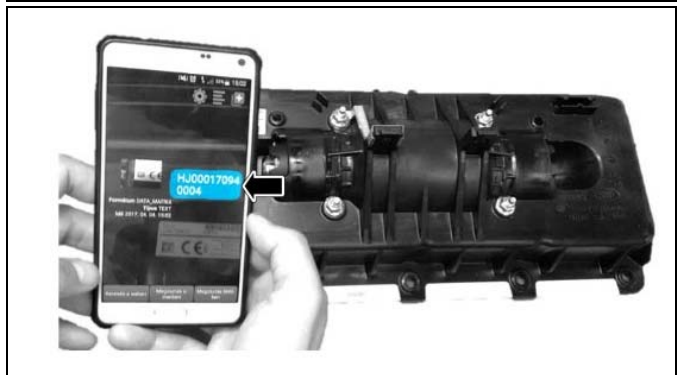
1. Locate the label on the NEW passenger airbag module.



2. Locate the QR code on the NEW passenger airbag module label.



3. Use a smartphone with a QR code scanner to scan the QR code of the NEW front passenger airbag module.
4. Record the NEW passenger airbag module serial number, displayed on the screen, on the claim verbatim.



SPECIAL DISPLACED PARTS HANDLING PROCEDURE

All retailers EXCEPT Hawaii, Puerto Rico, and Guam

Displaced parts require special handling and shipping procedures. See the attached file for complete return shipping instructions (all retailers EXCEPT Hawaii, Puerto Rico, and Guam).

Hawaii, Puerto Rico, and Guam retailers ONLY:

- Contact XPO at Armando.Gonzales@email.xpo.com, SCTakataRestrains_International@XPO.com, or 210-250-5039.
- Provide XPO with retailer details (name, address), contact information, and cargo details (number of pieces and weight).

Please note the following:

- Return Box label is supplied in with the replacement airbag module packaging.
- Retailers in the Continental United States must contact XPO Customer Service Representative as detailed in step 7 in the attached instructions to order the return shipping labels which will be emailed directly to retailers.
- Retailers in Puerto Rico, Hawaii, and Guam must contact the Takata/XPO USA representative as detailed at the top of the attached instructions to receive special returns shipping instructions.
- Retailers should ensure employees handling returns packaging and shipment are HAZMAT certified. For further information, see Parts ALERT PA16GI-14.

TOOLS

Refer to the Technical Bulletin referenced above for any required special tools.

WARRANTY

NOTE: check DDW to ensure that a vehicle is affected by this program prior to undertaking any rework action.

NOTE: the serial number of the NEW airbag module MUST be recorded on the claim verbatim.

At the time of confirming a booking for vehicle repair, ensure that all outstanding Service Actions are identified to ensure the correct parts are available and adequate workshop time is allocated for repairs to be completed in one visit.

Warranty claims must be submitted quoting the Program Code together with the relevant Option Code. The SRO and parts information is included for information only. The Option Code(s) that allows for the drive in/drive out allowance may only be claimed if the vehicle is brought into the workshop for this action alone to be undertaken.

Repair procedures are under constant review and therefore times/prices are subject to change; those quoted here must be taken as guidance only. Refer to TOPIx to obtain the latest repair time.

Warranty claims must be submitted for payment within 30 calendar days of completion of the repair.

PROGRAM CODE	OPTION CODE	DESCRIPTION	SRO	TIME (HOURS)	PART NO. / SUNDRY CODE	QTY. / VALUE
P081	B	Install a new passenger airbag module	76.74.02	1.40	LR095854	1
					YYH500020	8
					RYG500230	2
P081	C	Install a new passenger airbag module	76.74.02	1.40	LR095854	1
					YYH500020	8
		Drive in/drive out	02.02.02	0.20	-	-

Normal Warranty policies and procedures apply.

CUSTOMER RE-IMBURSEMENT FOR PREVIOUS REPAIRS AND RELATED DAMAGE CLAIMS

If a customer has indicated that they have already paid for this concern as a normal retail repair (vehicle outside normal warranty period) prior to the date of their owner notification letter, a copy of the repair invoice must be produced as proof of the repair. The retailer must directly reimburse the customer and a claim for recovery of this cost should be made using the related damage procedure.

Supplementary claims for related damages can only be made once the Recall claim has been paid and accepted. Only repairs performed using approved Land Rover parts are eligible for reimbursement.

Submit claims quoting Program Code '**P081**' by selecting the 'Related Damage' radio button on the claim submission screen. Use Option Code '**X**' as detailed below and enter the cost to be reimbursed against the sundry code of '**ZZZ999**'. All costs are to be entered in local currency.

PROGRAM CODE	OPTION CODE	DESCRIPTION	TIME (HOURS)	SUNDRY ITEM CODE	MISCELLANEOUS EXPENSE (\$)
P081	X	Re-imbusement to owner	N/A	ZZZ999	Retailer Entered Value

A copy of the invoice must be appended to the repair order for Warranty Audit purposes and Warranty Specialist review. Enter a brief comment in the 'Technician Comments' field on the claim to itemize and explain the charges.

Only vehicles eligible for this Safety Recall are included in this process. Only one claim per vehicle for related damages will be accepted.

RETAILER INQUIRIES – P081

For questions relating to the contents of this publication, please contact: recallq@jaguarlandrover.com.

APPENDIX 'A': LIST OF STATES/TERRITORIES BY ZONE – SAFETY RECALL P081

ZONE A: Hot & Humid

Alabama, California, Florida, Georgia, Hawaii, Louisiana, Mississippi, South Carolina, Texas, Puerto Rico, American Samoa, Guam, The Northern Mariana Islands (Saipan), and the U.S. Virgin Islands

ZONE B: Less Hot & Humid

Arizona, Arkansas, Delaware, District of Columbia, Illinois, Indiana, Kansas, Kentucky, Maryland, Missouri, Nebraska, Nevada, New Jersey, New Mexico, North Carolina, Ohio, Oklahoma, Pennsylvania, Tennessee, Virginia, West Virginia.

ZONE C: Least Hot & Humid – Jaguar Land Rover has no affected Range Rover vehicles within this Zone at this time

Alaska, Colorado, Connecticut, Idaho, Iowa, Maine, Massachusetts, Michigan, Minnesota, Montana, New Hampshire, New York, North Dakota, Oregon, Rhode Island, South Dakota, Utah, Vermont, Washington, Wisconsin, Wyoming

Jaguar Land Rover Service Modules – LTL Shipping Instructions

NOTE: International and ALL Locations outside of the Continental United States (APAC, EMEA, Mexico, Hawaii, Alaska, Puerto Rico, and US Virgin Islands dealers) CANNOT follow below shipping instructions. Instead, dealerships in these locations MUST contact the following Takata/XPO USA representative directly for shipping instructions:

Armando Gonzales - Tel: 210-250-5039 or Email: Armando.Gonzales@email.xpo.com; SCTakataRestraints_International@XPO.com

NOTE: for Continental US 48-State dealerships, please follow steps 1-7 below.

It is recommended that personnel wear gloves when working with these packages to protect against cuts

1a. Shipping Documents - Supplied With New Airbag

a) Return Box Label

- Supplied with each new module and is to be affixed to each return part box.
- (NOTE: some return labels can be found in new module packaging sleeves).



1b. Shipping Documents - To Be Obtained From XPO

b) Over-Pack Label

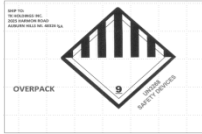
- To be emailed by XPO.
- To be affixed to the outside of each pallet.

c) Bill of Lading

- To be emailed by XPO
- Print 2 copies: 1 for Dealer Records, 1 for LTL Driver.

d) ERG Document

- To be emailed by XPO.
- To be provided by the Dealer to the LTL Driver for each shipment.



2a. Packing Instructions

****DO NOT DEPLOY THE INFLATOR****

Confirm box is in acceptable condition:

- Box should be in good condition with no visible signs of damage;
- Box should be capable of withstanding additional transportation.

a) Place the tray module in the position shown and then fold the tray.

b) Assemble the box as AB20 (below).

c) Insert the assembled tray into the box.

- Close the box.
- Place the box on a pallet.
- Seven cardboard boxes per layer, four layers per pallet.
- **Pallets are non-stackable!!**



2b. Packing Instructions (continued)



3. Label Each Box

****DO NOT DEPLOY THE INFLATOR****

- Hazard Class Labels - Class 9 (pre-printed)
- UN3268 label
- Ship To Address Label to the box
- Do not cover up Class 9 marking



4. Shipping Instructions - Prepare the Pallet

- Accumulate and palletize kits.
- Arrange modules on pallet.
 - A maximum of 28 modules (boxes) per pallet.
- Shrink-wrap module to pallet.
- Prepare to ship every two weeks.

5. Shipping Instructions - Schedule LTL Pickup

- When ready to ship, call XPO at 877-650-3476.
- Have the following information available:
 - Dealer #
 - Quantity of over-packs/pallets
 - Quantity of modules on each pallet
 - Email address where shipping documentation can be received

6. Shipping Instructions - Ship

- Give 1 copy of BOL and 1 copy of ERG to Driver.
- Retain 1 copy of BOL for dealership records and archive for at least 2 years.

7. Requesting a New Box / Shipping Labels

If a new box, replacement box, or shipping labels are needed, please contact the representative listed below by phone or email to request replacement materials.

Primary Contact: XPO Customer Service Rep - Tel: 210-250-5079

E-Mail: SCFieldAction.14305@xpo.com

To help expedite your request, please be prepared to provide the following information:

a) Type of shipping material needed:

- Replacement Box
- Two-Part Return Label
- Bill of Lading
- ERG Form

b) Dealer Shipping Information:

- Contact Name
- Dealer Address
- Phone Number



SAFETY RECALL P081: SAMPLE OWNER LETTER

IMPORTANT SAFETY RECALL

This notice applies to your vehicle SALXXXXXXXXXXXXXX

March 2017

Safety Recall P081: Takata Passenger Airbags

Vehicle Affected: Range Rover

Model Year: 2007–2011

National Highway Traffic Safety Administration (NHTSA) Recall Number: 16V374

Dear Range Rover Owner,

This notice is sent to you in accordance with the requirements of the National Traffic and Motor Vehicle Safety Act. Land Rover has determined that a defect which relates to motor vehicle safety exists in certain 2007–2011 model year Range Rover vehicles.

Your vehicle is included in this Recall action.

You should have received a previous letter dated July 29, 2016, advising you that we were in the process of obtaining the necessary components to repair your vehicle. At this time, those components are available.

What is the concern?

The front passenger airbag in your vehicle contains an airbag inflator that was supplied by Takata. Jaguar Land Rover has been informed by Takata that a safety defect exists in these airbag inflators using ammonium nitrate propellant without a chemical drying agent. Due to prolonged exposure to combined high heat and humidity, the front passenger airbag module inflator housing may rupture and deploy abnormally in the event of a crash necessitating deployment of the front passenger airbag. In such event, a front passenger airbag module inflator housing rupture could result in metal fragments striking the passenger or other occupants, resulting in serious injury or death.

Please take note of the following important points pertaining to this Urgent Safety Recall:

- The Takata front passenger airbag installed in your vehicle is defective and could cause injury or death
- The required parts to repair your vehicle are readily available
- This Recall repair is completely **free of charge** to you
- Make an appointment with an authorized Land Rover retailer of your choice **NOW** to have your vehicle repaired

What will Land Rover and your authorized Land Rover retailer do?

Land Rover is carrying out a Safety Recall of the vehicles mentioned above. An authorized Land Rover retailer will replace the front passenger airbag module in your vehicle.

This Safety Recall will be carried out completely free of charge and may be performed by any authorized Land Rover retailer regardless of where the vehicle was purchased.

What should you do?

Contact your preferred Land Rover retailer and provide the retailer with your Vehicle Identification Number (VIN) and request a service date to complete the work required under Program Code '**P081**'. You can locate an authorized Land Rover retailer using the 'RETAILERS' function on LANDROVERUSA.COM or you can use the contact information below.

How long will it take?

The work will be carried out as quickly and efficiently as possible in order to minimize inconvenience to customers and is expected to take approximately two hours, although your retailer may need your vehicle for a longer time. Your retailer can provide you with a better estimate of the overall time for the service visit.

Attention Leasing Agencies: Federal regulations require that you forward this recall notification to the lessee within 10 days.

Moved or no longer own this Land Rover vehicle?

If you are no longer the owner of this vehicle, Land Rover would appreciate the name and address of the new owner (if known); please fill out and return the enclosed return postage-paid card.

What should you do if you have further questions?

If you have any questions regarding this *Urgent Safety Recall* or need assistance in locating your nearest authorized Land Rover retailer, please contact the Land Rover Customer Relationship Centre at 1-800-637-6837, Option 9, Option 2, and one of our representatives will be happy to assist you.

You may also contact us by email using the following address: lrweb2@jaguarlandrover.com.

If you have the need to contact Land Rover by mail, please use the following address:

Jaguar Land Rover North America, LLC
ATTN: Customer Relationship Centre
555 MacArthur Boulevard
Mahwah, NJ 07430

If you are having difficulty getting your vehicle repaired in a reasonable time, without charge, or have any additional questions regarding this Urgent Safety Recall, you may contact the National Highway Traffic Safety Administration (NHTSA) by writing to:

Administrator, National Highway Traffic Safety Administration
1200 New Jersey Avenue, SE
Washington, D.C. 20590

Or you may call the toll-free Vehicle Safety Hotline at 1-888-327-4236 (TTY: 1-800-424-9153), or log on to <http://www.safercar.gov> to submit a complaint electronically.

Land Rover appreciates your confidence in our product and wish to do everything we can retain that confidence. We recognize this service visit may be an inconvenience to you. Land Rover, in cooperation with your authorized Land Rover retailer, will strive to minimize any inconvenience to you caused by this program.

Sincerely,



Peter Pochapsky
Customer Relationship Centre Manager

SAFETY RECALL P081: TECHNICAL Q & A

Main Message: Land Rover 2007–2011 Model Year (MY) Range Rover vehicles are equipped with certain Takata airbag inflators (Ammonium Nitrate without desiccant propellant) assembled as part of the front passenger airbag modules, and used as original equipment or replacement equipment.

In the event of a crash necessitating deployment of the front passenger airbag, these Takata inflators may rupture due to propellant degradation occurring after long-term exposure to absolute humidity and temperature cycling. An inflator rupture may result in metal fragments striking the vehicle occupants, and could result in serious INJURY or DEATH.

Q1 Who do I contact if a member of the press contacts me about this recall?

A Please ensure all press enquiries are referred to the Jaguar Land Rover North America Press Office, to the attention of:

Stuart Schorr

Vice President, Communications & Public Affairs
Jaguar Land Rover North America, LLC
sschorr@jaguarlandrover.com
Office: +1-201-760-8561
Cell: +1-201-739-2964

Nathan Hoyt

Product Communications Manager
Jaguar Land Rover North America, LLC
nhoyt@jaguarlandrover.com
Office: +1-201-818-8316
Cell: +1-551-427-3199

Q2 Why is Jaguar Land Rover North America recalling certain Land Rover vehicles?

A Jaguar Land Rover was informed that Takata submitted a Defect Information Report (DIR) to the National Highway Traffic Safety Administration (NHTSA) reporting a potential safety defect for airbag inflators without a chemical drying agent (i.e., non-desiccated inflators) which are used in the front passenger airbag modules installed into 2007-2011 Model Year (MY) Land Rover Range Rover vehicles. Takata's investigation of affected inflators to date indicates that exposure to certain environmental conditions (several years of exposure to persistent conditions of high absolute humidity) could lead to over-aggressive combustion in the event of a front passenger airbag deployment.

In the event of an inflator rupture, metal fragments could tear through the airbag material, which may result in injury to vehicle occupants.

Q3 Can you tell me more about what is wrong with the vehicles?

A Takata has advised us that Takata airbag inflators similar in design to those used on certain Land Rover Range Rover vehicles may, in a crash where the front passenger airbag system deploys, the airbag inflator housing may rupture. An inflator rupture may result in metal fragments striking the vehicle occupants, and could result in serious injury or death.

In the event of an inflator rupture, metal fragments could pass through the airbag material, which may result in injury or death to vehicle occupants.

Q4 How would the customer become aware of potentially having this concern?

A There are no external signs of degradation of the airbag inflator. There has been extensive press coverage of this issue; certain Jaguar Land Rover vehicles are now included in the widely-covered Takata airbag inflator recalls which cover some 70 million Takata airbag inflators in the USA and approximately 100 million Takata airbag inflators worldwide used widely across the automotive industry.

Additionally, Jaguar Land Rover notified all affected owners in July 2016 advising their vehicle was included in this recall and that parts to remedy the defect were not yet available.

Q5 Does this concern affect vehicle safety?

A Yes. These types of airbag inflators with ammonium nitrate without desiccant propellant pose a safety risk.

Q6 Has Jaguar Land Rover Limited received many complaints?

A To date, we have not received any related complaints or are aware of any instances of ruptured inflators in Jaguar Land Rover vehicles.

Q7 Have there been any accidents or injuries?

A To date, we have not received any related complaints or are aware of any instances of ruptured inflators in Jaguar Land Rover vehicles.

Q8 How was the condition discovered?

A The condition was reported to Jaguar Land Rover by Takata. This is an industry-wide issue which has received significant press coverage. For more information on the Takata industry wide situation, please visit <http://www.safercar.gov/rs/takata/index.html>

Q9 How long has Jaguar Land Rover known about this problem?

A This issue was first known in May 2016, when Takata submitted a Defect Information Report (DIR) to the NHTSA regarding the potential defect in certain Jaguar Land Rover vehicles.

Q10 Is the defect leading you to any concerns regarding the reliability of a system, which is supposed to be designed and engineered for the passengers' safety? What type of measures are you planning to take?

A Jaguar Land Rover has no concerns with the overall reliability of vehicles. Jaguar Land Rover carefully monitors data to make sure that any matters relating to safety and compliance are rigorously investigated.

Q11 What has Jaguar Land Rover done in production?

A The vehicles affected by this issue are no longer in production. Parts for the recall remedy contain a different type of inflator propellant.

Q12 What will authorized Land Rover retailers do to the vehicles?

A Authorized Land Rover retailers will replace the front passenger airbag module on the affected vehicles.

Q13 What about the driver airbag?

A The driver airbag does not incorporate a Takata non-desiccated ammonium nitrate inflator and is not subject to recall.

Q14 Which vehicles are affected by this recall?

A Certain 2007-2011MY Land Rover Range Rover vehicles are included in this recall originally sold, or ever registered, in Alabama, California, Florida, Georgia, Hawaii, Louisiana, Mississippi, South Carolina, Texas, Puerto Rico, American Samoa, Guam, the Northern Mariana Islands (Saipan), and the U.S. Virgin Islands. This geographical designation is also known as 'Zone A', as defined in the respective Coordinated Remedy Orders issued by NHTSA.

It also includes 2007-2008MY Land Rover Range Rover vehicles originally sold, or ever registered, in Arizona, Arkansas, Delaware, District of Columbia, Illinois, Indiana, Kansas, Kentucky, Maryland, Missouri, Nebraska, Nevada, New Jersey, New Mexico, North Carolina, Ohio, Oklahoma, Pennsylvania, Tennessee, Virginia, and West Virginia. This geographical designation is also known as 'Zone B', as defined in the respective Coordinated Remedy Orders issued by NHTSA.

2007-2011MY Land Rover Range Rover vehicles not originally sold or ever registered in these states or Federalized Territories are not subject to this recall.

Q15 Are other Jaguar Land Rover models affected by these actions?

A Yes. This issue also affects certain Jaguar XF vehicles. A separate Safety Recall includes certain 2009-2011MY Jaguar XF vehicles originally sold, or ever registered, in Alabama, California, Florida, Georgia, Hawaii, Louisiana, Mississippi, South Carolina, Texas, Puerto Rico, American Samoa, Guam, the Northern Mariana Islands (Saipan), and the U.S. Virgin Islands. This geographical designation is also known as 'Zone A', as defined in the respective Coordinated Remedy Orders issued by NHTSA.

2009-2011MY Jaguar XF vehicles not originally sold or ever registered in these states or Federalized Territories are not subject to this recall.

Q16 Are parts available to rework vehicles?

A Yes. Parts are available to complete the recall.

Q17 How much will the recall cost Jaguar Land Rover?

A Cost was not a factor in deciding to recall these vehicles.

Q18 How do I know if my vehicle is affected?

A Now that adequate inventory of replacement parts is available, a second owner notification has been mailed to the first priority group of owners of registered 2007-2008MY vehicles in Zone A as defined in the Coordinated Remedy Orders issued by NHTSA. Owners of the remaining affected Zone A and also Zone B vehicles will be subject to later mailing notifications.

In addition, a number of additional contact strategies are, uniquely for this Takata airbag recall, going to be adopted, including: the use of social media; customer e-mail contact; additional press awareness for Jaguar Land Rover; and heightened repairer engagement.

Should a Customer wish to know if their vehicle is affected by this recall, they may go to <http://www.landroverusa.com/owners/vin-recall.html> to inquire. Alternatively, they can access the same information through NHTSA at <https://www.nhtsa.gov/recalls>.

Vehicle owners are also welcome to contact an authorized Land Rover retailer to inquire as to the recall status of their vehicle.

Q19 How long does it take for the vehicle to be inspected and repaired?

A The work will be carried out as quickly and efficiently as possible in order to minimize inconvenience to customers and is expected to take approximately two (2) hours to complete. Your retailer can provide you with a better estimate of the overall time for the service visit.

Q20 Can I continue to drive my Land Rover vehicle safely until it has been recalled?

A Yes. However, when customers receive a letter notifying them to have this service performed by an authorized Land Rover Retailer, they should make contact immediately to schedule an appointment. If they are not the only driver of this vehicle, customers are requested to advise all other drivers of this important information.

Q21 Why is the driver airbag not affected?

A The driver airbag does not contain a Takata inflator so it is not affected by this recall.

Q22 Why are other models not included?

A Aside from certain Jaguar XF models, other models are not included because this recall pertains specifically to vehicles equipped with the Takata non-desiccated ammonium nitrate airbag inflators.

Q23 Does the Takata airbag recall affect Canadian vehicles?

A This Takata airbag recall does not affect Jaguar Land Rover vehicles in Canada.

Q24 Are you making loan vehicles available to owners of affected vehicles?

A Each retailer will seek to support owners of affected vehicles as circumstances require in line with normal retailer operating procedures.

Q25 If a customer requests it, can we disable their airbag?

A No. For those vehicles included in this recall, a remedy is available. As a leader in the field of automotive safety, we believe that the driver and passengers are always safer with the protection of the airbag when a collision event warrants a deployment.

The airbag is designed to supplement the seatbelt and other restraint components. For these reasons, we will not allow retailers to disable airbags.

Until the remedy is completed, if customers are so concerned, the front passenger airbag will NOT operate where the front passenger seat is unoccupied. As such, customers who are uncomfortable have the option not to sit someone in the front passenger seat until the repair is performed.

Q26 What about the other model year Land Rover Range Rover vehicles which are affected?

A For this recall, there are no other model year Land Rover Range Rover vehicles affected.

Note: Please ensure that any Press enquiries are referred to the Jaguar Land Rover North America Press Office.