



STRICK TRAILERS, LLC

225 Lincoln Highway
Fairless Hills
Pennsylvania, USA
19030.0009
215.949.3600



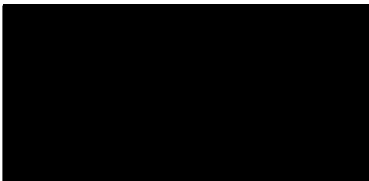
IMPORTANT SAFETY RECALL

**This notice applies to your vehicles
identified on the enclosed spreadsheet**

NHTSA Recall No. 16V-130

May 9, 2016

CERTIFIED MAIL – R.R.R.



Dear Mr. [REDACTED]

This notice is sent in accordance with the requirements of the National Traffic and Motor Vehicle Safety Act.

Strick Trailers, LLC (“Strick Trailers”) has decided that a certain dry freight van trailer, model number S4280E99NFOW, as identified on the enclosed spreadsheet, fails to conform to Federal Motor Vehicle Safety Standard No. 223 “Rear Impact Guards”.

The noncompliance is in regards to the curbside and roadside rear impact guard gussets. Strick Trailers identifies the gussets with the numbers 50185 and 50186. These gussets do not meet the requirements of Federal Motor Vehicle Safety Standard 223 pertaining to rear impact guards. This could increase the risk of injury in the event of a rear impact crash.

In order to remedy the noncompliance, it will be necessary to reinforce the curbside and roadside rear impact guard gussets in accordance with the instructions (Drawing 706240) attached to this letter. We will supply the new reinforcement parts without cost and will ship them to multiple locations at your request. The parts necessary to reinforce the gussets are expected to be available for delivery beginning on May 16, 2016. We will also reimburse you for the reasonable direct labor costs involved in effecting the repair or will have the repair facilities bill us directly. The work to reinforce the rear impact guard gussets will take approximately two and one half hours to perform.

We will make ourselves available to answer any questions that arise during the course of this modification program, and, if requested, assist you in locating qualified repair facilities. We will also provide training or any



Boston Trailer
May 9, 2016
Page 2

other support you need. If you need any assistance, please contact me, Jerry Clontz, at jclontz@diamatrix.net or 1-704-436-2590.

Invoices for completed work should be submitted with authorization number L2016002 and a list of vehicle identification numbers for the serviced equipment to:

Strick Trailers, LLC
301 N. Polk Street
Monroe, IN 46772

If you have had your vehicle repaired prior to receipt of this notice, you may be entitled to reimbursement if you incurred any out-of-pocket cost due to this matter. For further information, please contact us at 1-704-436-2590.

Federal law requires any lessor who receives a notification of a determination of a safety-related defect or noncompliance pertaining to any leased motor vehicle to send the notice to the lessee within 10 days.

It is a violation of Federal law for a dealer to deliver a new motor vehicle or any new or used item of motor vehicle equipment (including a tire) covered by this recall notification under a sale or lease until the defect or noncompliance is remedied.

We regret any inconvenience this action may cause you. However, we are concerned about your safety, and we have notified the National Highway Traffic Safety Administration of this program. If you are unable to have these defects remedied without charge, you may submit a complaint to:

Administrator, U.S. Department of Transportation
National Highway Traffic Safety Administration
Office of Defects Investigation
1200 New Jersey Avenue, SE
Washington, D.C. 20590

Alternatively, you may call the toll-free Vehicle Safety Hotline at 1-888-327-4236 (TTY: 1-800-424-9153) or go to <http://www.safercar.gov>.

Thank you for your attention to this important matter.

Very truly yours,

Jerry Clontz

STRICK TRAILERS, LLC #706240 / REAR IMPACT GUARD FIELD RETROFIT INSTRUCTIONS:

NOTE: THE FOLLOWING INSTRUCTIONS AND DIAGRAMS HAVE BEEN PROVIDED FOR THE PURPOSE OF UPDATING THE EXISTING STRICK O.E.M. REAR IMPACT GUARD. THE PERSON(S) PERFORMING THE WORK SHOULD ADHERE STRICTLY TO THE INSTRUCTIONS SET FORTH HEREIN AND BE FAMILIAR WITH THE REQUIREMENTS OF ALL APPLICABLE REGULATIONS, INCLUDING BUT NOT LIMITED TO FEDERAL MOTOR CARRIER SAFETY ADMINISTRATION REGULATIONS PART 393.86 (REAR IMPACT GUARDS AND REAR IMPACT PROTECTION) AND/OR CANADA MOTOR VEHICLE SAFETY STANDARD 223 (REAR IMPACT GUARD).

ALL WELDING IS TO BE PERFORMED BY A QUALIFIED PERSON(S) WITH SUITABLE EQUIPMENT TO PERFORM THE NECESSARY STEPS AS LAID OUT BELOW. WELDING RODS AND/OR WIRE TO BE E70/ER70S OR EQUAL.

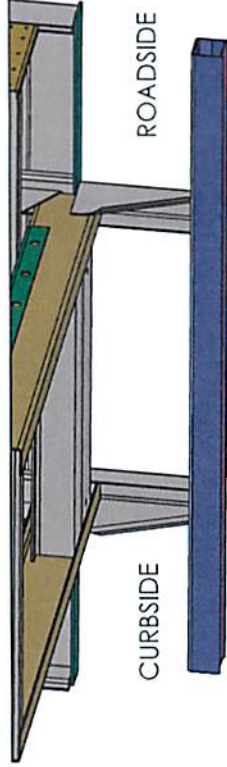
SAFETY PRECAUTIONS:

- STRICK REAR IMPACT GUARD (RIG) ASSEMBLIES OR COMPONENTS MUST NOT BE INSTALLED ON OTHER MANUFACTURERS' TRAILERS.
- BEFORE BEGINNING THE WORK, MAKE CERTAIN THE TRAILER IS CHOCKED TO PREVENT MOVEMENT. USE A CONSPICUOUS SIGN, BARRIER OR OTHER METHOD TO PREVENT A TRACTOR FROM BACKING UNDER THE TRAILER DURING THE REPAIR PROCESS.
- PROPER PROTECTIVE EQUIPMENT SHOULD BE WORN AT ALL TIMES DURING REAR IMPACT GUARD UPGRADE.

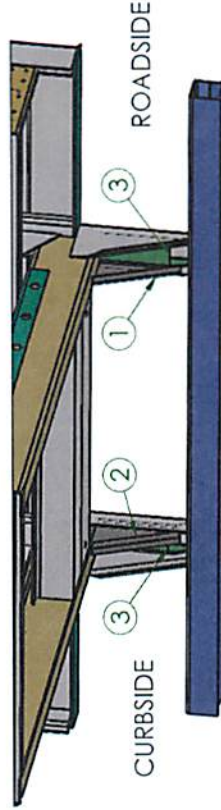
STEPS:

1. INSPECT ALL EXISTING SURFACES FOR EXCESSIVE CORROSION, CRACKING AND OTHER DEFECTS.
2. ANY DEFECTS FOUND IN THE REAR SILL, BASEPLATE OR BOGIE SUPPORT TUBES SHOULD BE REPAIRED PRIOR TO THE RIG UPGRADE. (IN THE EVENT OF DAMAGED WELDS PLEASE CONTACT STRICK TRAILERS LLC ENGINEERING DEPARTMENT AT 260-692-6121 FOR ASSISTANCE AND FURTHER INSTRUCTIONS).
1. STRICK TRAILERS, LLC IS NOT RESPONSIBLE FOR THE NECESSARY REPAIRS AS DETERMINED FROM THE SUBSEQUENT INSPECTION IN THE STEPS LISTED ABOVE. ANY REPAIRS ARE THE RESPONSIBILITY OF THE EQUIPMENT'S OWNER AS IT PERTAINS TO THE SAFE OPERATION OF THIS EQUIPMENT UNDER TITLE 49, VOLUME 5, CHAPTER III, PARTS 300-399 OF THE FMCSA RULES AND REGULATIONS.
3. PREPARE ALL SURFACES TO BE WELDED INCLUDING EXISTING AND NEW BY EXPOSING THE BARE METAL AT THE LOCATION OF THE WELD.
4. POSITION AND WELD ITEM ③ ON THE ROADSIDE AND CURBSIDE GUSSET AS SHOWN ON SHEET 2.
5. WELD THE ORIGINAL GUSSET TO THE BOGIE CHANNEL AS SHOWN IN DETAIL A ON SHEET 2.
6. POSITION AND WELD ITEM ① AS SHOWN ON SHEET 2.
7. POSITION AND WELD ITEM ② AS SHOWN ON SHEET 2.
8. POSITION AND WELD ITEM ④ ON THE ROADSIDE AND CURBSIDE AS SHOWN ON SHEET 2. ITEM MAY NEED TO BE TRIMMED TO FIT.
9. ALLOW ALL NEW WELDS TO COOL BEFORE THOROUGHLY CLEANING AND APPLYING UNDERCOATING, PRIMER, PAINT, OR EQUIVALENT TO PREVENT CORROSION.
10. ANY QUESTIONS REGARDING THE INSTALLATION OF THE REAR IMPACT GUARD RETROFIT SHOULD BE DIRECTED TO STRICK TRAILERS LLC ENGINEERING AT 260-692-6121.

CURRENT DESIGN

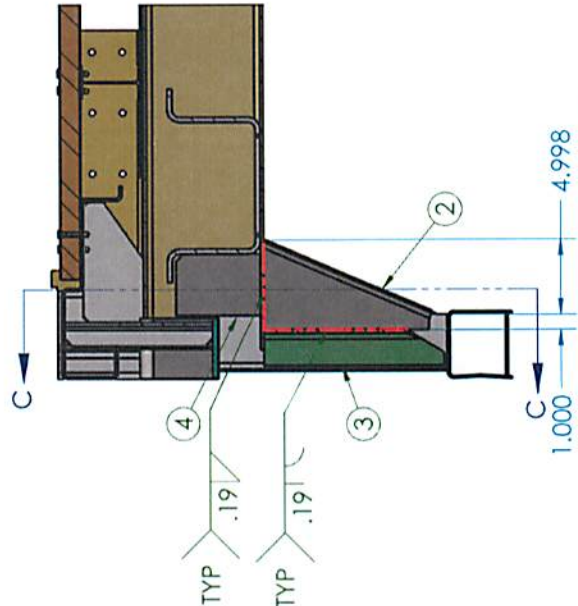
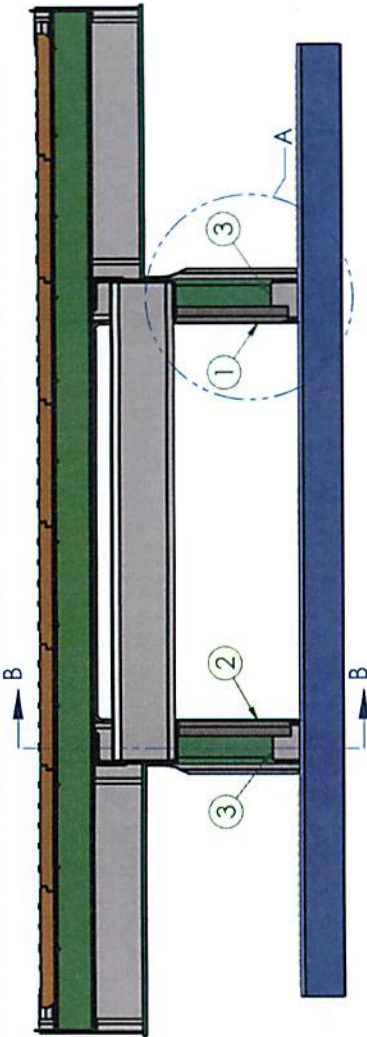


NEW DESIGN

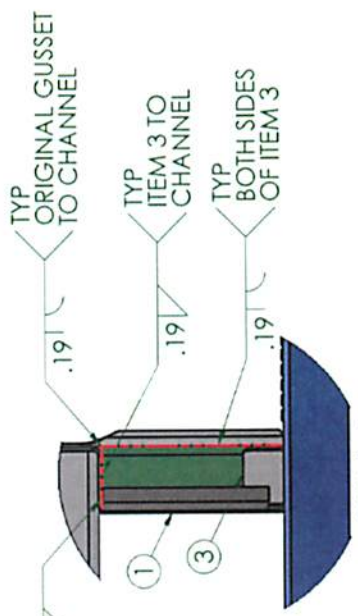
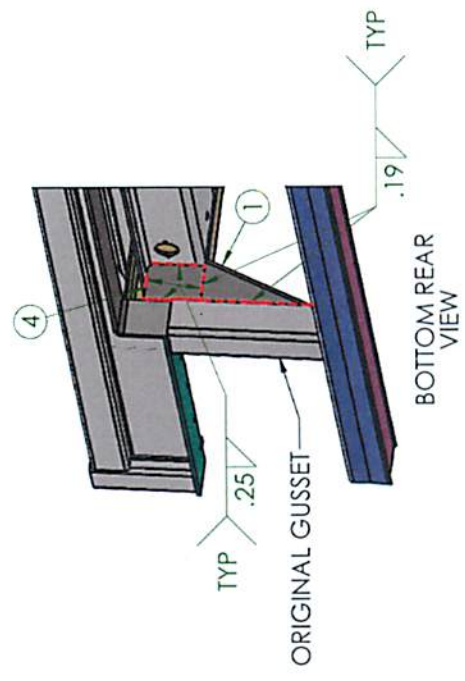


MATERIAL: X

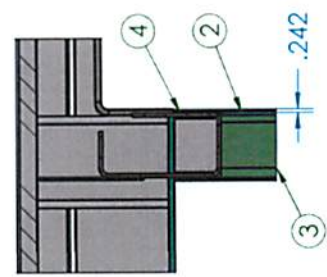
LOGGING SYMBOLS FABRICATED PARTS DECIMAL = 1/32"	DRAWN JMK	DATE 03/15/2016	STRICK TRAILERS, LLC	MONROE, IN 4872	SW
ASSEMBLY'S DECIMAL = 1/8"	CHECKED	DATE	FIELD, INST. RIG, 50185/86 FIX, 0049		
ANGULAR ±1°	GUSSETS 50185/50186				
THIS DRAWING IS LOANED FOR PURPOSE OF ENGINEERING STUDY ONLY WITH THE UNDERSTANDING THAT IT SHALL BE HELD IN CONFIDENCE AND FOR THE PURPOSES OF STRICK TRAILERS, LLC. IT IS NOT TO BE REPRODUCED, COPIED, OR TRANSMITTED IN ANY MANNER WITHOUT THE WRITTEN CONSENT OF STRICK TRAILERS, LLC. INFORMATION FOR MAKING OF DRAWINGS PRINTS APPARATUS AND EQUIPMENT SHALL BE THE PROPERTY OF STRICK TRAILERS, LLC. IN ACCORDANCE WITH THE EXPRESS WRITTEN CONSENT OF STRICK TRAILERS, LLC.					
706240	706240				Sheet 1 of 2



SECTION B-B
SCALE 1 : 8



DETAIL A
SCALE 1 : 8



SECTION C-C
SCALE 1 : 8

ITEM NO.	QTY.	PART NUMBER	Description
1	1	705741	BMPR,GUS, FIX, REINF, RS, 50185, SNGL BEND
2	1	705742	BMPR,GUS, FIX, REINF, CS, 50185, SNGL BEND
3	2	705743	BMPR,GUS, FIX, INNER CHANNEL, 50185
4	2	706355	BMPR,GUS, FIX, REINF, CHAN CLSOUT, 50185

706240

THIS DRAWING IS LOANED FOR PURPOSE OF ENGINEERING STUDY ONLY WITH THE UNDERSTANDING THAT IT SHALL BE HELD IN CONFIDENCE AND FOR THE PURPOSES OF THE PROJECT ONLY. IT IS TO BE USED AS A REFERENCE ONLY AND IS NOT TO BE USED IN ANY MANNER OR IN PART TO ASSIST IN MAKING OR TO FURNISH ANY INFORMATION, MATERIALS OR PARTS THEREOF EXCEPT IN ACCORDANCE WITH THE EXPRESS WRITTEN CONSENT OF STRICK TRAILERS, LLC.

706240

Sheet 2 of 2

DATE	3/15/2016	DATE	
DRAWN	JMK	CHECKED	
DESIGNED BY		DESIGNED BY	
ASSEMBLY'S	± .001	ASSEMBLY'S	± .001
DECIMALS	± .001	DECIMALS	± .001
ANGULAR ±1°		ANGULAR ±1°	

MATERIAL: x

STRICKS STRICK TRAILERS, LLC MONROE, IN 46772 SW

FIELD, INST, RIG, 50185/86 FIX, 0049

GUSSETS 50185/50186

706240