



1303 North 13th Street • Humboldt, Iowa 50548 USA
Ph. (515) 332-3117 • Fax (515) 332-5092
e-mail: jet@jetcompany.com • www.jetcompany.com



February 4, 2016

Shamrock Truck & Trailer
2333 Old Hwy Road
Charles City, IA 50616

IMPORTANT SAFETY RECALL

SAFETY RECALL NOTICE – NHTSA CAMPAIGN NUMBER 16V-013, 15E-061

This notice applies: Grain Trailers with SAF-HOLLAND, Inc. CBX Series Suspensions
starting with SAF-HOLLAND serial # 511332730216 through 511332730257.

Dear Dealer :

A list is included of the suspect trailers that Jet Company sold to you. This list confirms the serial numbers of the trailers you purchased and identifies the retail owner that purchased this trailer. If there is no name following the serial number we did not receive the warranty sheet from you identifying the retail owner. You are required to supply this information to us within ten (10) days so we can properly notify the retail owner of a possible safety defect.

This notice is sent to you in accordance with the requirements of the National Traffic and Motor Vehicle Safety Act.

Please contact Jet Company with any questions or concerns. Your Jet Company contact will be Sandy Loney. You may contact her at 515-332-3117 or sandy.loney@jetcompany.com.

The following letter is a copy that has been sent out to each customer we have on file.

Jet Company

Sandy Loney
Safety Coordinator

MANUFACTURERS OF:

Wire Rollers • Roll Tarps • Electric Roll Tarps • Grain Trailers (steel and aluminum) • Pup Trailers
Flatbed Trailers • Dropdeck Trailers • Tag Trailers • Side Dump Trailers • Detachable Gooseneck Trailers



1303 North 13th Street • Humboldt, Iowa 50548 USA
 Ph. (515) 332-3117 • Fax (515) 332-5092
 e-mail: jet@jetcompany.com • www.jetcompany.com



February 4, 2016

Shamrock Truck & Trailer
 2333 Old Hwy Road
 Charles City, IA 50616

IMPORTANT SAFETY RECALL

SAFETY RECALL NOTICE – NHTSA CAMPAIGN NUMBER 16V-013, 15E-061

This notice applies: Grain Trailers with SAF-HOLLAND, Inc. CBX Series Suspensions
 starting with SAF-HOLLAND serial # 511332730216 through 511332730257.

Below is the list of the trailers you sold with warranty information completed.

<u>VIN</u>	<u>WO</u>	<u>Dealer</u>	<u>End User</u>	<u>ADDRESS</u>	<u>CITY</u>	<u>ST</u>	<u>ZIP</u>	<u>PHONE</u>	<u>Axle</u>	<u>Susp S/N</u>
5JNGA402 2	EH001017	Shamrock Truck & Trailer	London Acres	23452 130th St	Monona	IA	52159	563-539-2244	1	51132730241
5JNGA402 2	EH001017								2	51132730242

Below is the list of the trailers you sold without warranty information completed. Warranty sheets are enclosed.

*****PLEASE SUBMIT WARRANTY PAPERWORK WITHIN TEN (10) DAYS*****

<u>VIN</u>	<u>WO</u>	<u>Dealer</u>	<u>End User</u>	<u>ADDRESS</u>	<u>CITY</u>	<u>ST</u>	<u>ZIP</u>	<u>PHONE</u>	<u>Axle</u>	<u>Susp S/N</u>
5JNGA422 X	EH001084	Shamrock Truck & Trailer							1	51132730237
5JNGA422 X	EH001084								2	51132730238

This notice is sent to you in accordance with the requirements of the National Traffic and Motor Vehicle Safety Act.

Please contact Jet Company with any questions or concerns. Your Jet Company contact will be Sandy Loney. You may contact her at 515-332-3117 or sandy.loney@jetcompany.com.

Jet Company

Sandy Loney
 Safety Coordinator

MANUFACTURERS OF:

**Wire Rollers • Roll Tarps • Electric Roll Tarps • Grain Trailers (steel and aluminum) • Pup Trailers
 Flatbed Trailers • Dropdeck Trailers • Tag Trailers • Side Dump Trailers • Detachable Gooseneck Trailers**

Trailer Air Suspension Systems Cast Beam Pivot Bolt Replacement

MAY 2014

SAF-HOLLAND® has identified certain CBX suspensions that have a pivot bolt that may not meet our specifications. The CBX suspensions referenced in this bulletin were manufactured between the dates of October 8, 2013 through November 30, 2013 (suspension serial number range 51 13 281 xxxx through 51 13 334 xxxx). It will be necessary to have all pivot bolts changed out on the units affected.

You have been identified as the owner of a trailer which may be affected by this condition. You will be required to exchange the pivot bolts, nuts, and washers on each axle of your trailer suspension systems with kits that will be supplied by SAF-HOLLAND® at no charge. You will be sent one service repair kit, SRK-710, per axle on your trailer. Each kit will include all of the appropriate hardware to facilitate this repair procedure.

For this pivot bolt changeover, SAF-HOLLAND® has agreed to cover 2.0 hour(s) repair time per axle. Once the repair procedure is complete, you will need to supply the trailer manufacture your suspension serial number, vehicle identification number, in-service date, and date of repair completion for labor reimbursement **Table 1**.

For your convenience, a form is provided with all of the required information needed to facilitate the labor reimbursement. Once work is completed, please submit all forms to your OEM for recording and reimbursement.

We apologize for any inconvenience this may cause; SAF-HOLLAND® is committed to serving our customers with quality products.

Model Identification

The location of the serial tag is found on roadside hanger, fixed frame suspension (**Figure 1**), or rear cross member, slider assembly (**Figure 2**).

The sample tag shown will help you interpret the information on the SAF-HOLLAND®, Inc. serial tag. The part number is on the first line. The model number along with the suspension capacity are on the second line. The third line contains the serial number.

Figure 1

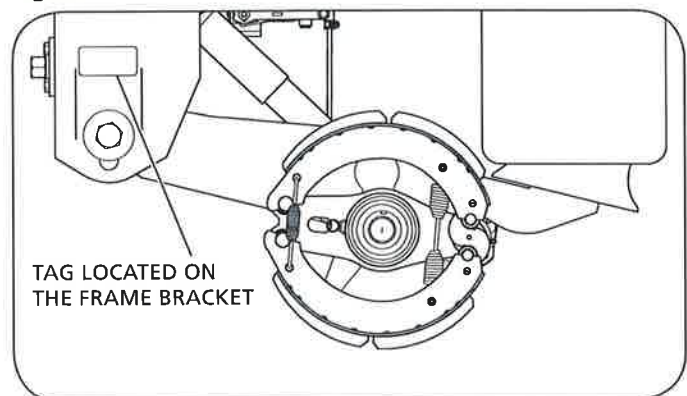


Figure 2

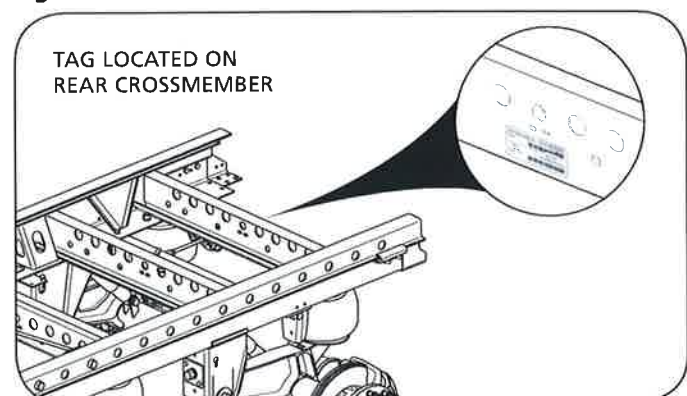


Figure 3



Trailer Air Suspension Systems

Cast Beam Pivot Bolt Replacement Procedure

MAY 2014

Service repair kit SRK-710 has been supplied for the pivot bolt replacement. Each kit will do one axle and will include two (2) 93201070 pivot bolt, four (4) 93600553 outside washers, and two (2) 93400506 lock nut (**Figure 2**).

IMPORTANT: It is recommended that the trailer be unloaded before beginning service procedures.

1. On a level surface, support the front of the trailer with either a kingpin stand, landing gear, or coupled to a tractor.
2. Raise the trailer frame approximately 2" and support it with jack stands and remove wheel chocks.
3. At the suspensions specified ride height, place multiple jack stands under the vehicles frame per OEM specified locations, then lower the trailer frame onto the jack stands.

⚠ WARNING Failure to properly support the trailer during service procedures could create a crush hazard which, if not avoided, could result in death or serious injury.

4. Exhaust all air from the suspensions air bags, set the parking brakes, and chock the wheels.
5. Raise the trailer axle approximately 2" and support it with jack stands and remove wheel chocks.

⚠ WARNING Failure to properly support axle during a service procedure could create a crush hazard which, if not avoided, could result in death or serious injury.

6. Remove the tires.
7. On the roadside hangers, scribe or mark a line on the frame bracket outlining the position of the washers on both the inside and outside locations (**Figure 1**). These scribe marks will be used for ensuring previous alignment.
8. Starting on the curbside hangers, Remove 1-1/8" inch pivot bolt. (This is to be shipped back to SAF-HOLLAND®). Discard the old pivot nut and old washers.
9. Install new pivot hardware (**Figure 2**).

NOTE: On the roadside hangers while the connection is in a loose state, prior to final torque, ensure that the new washers are indexed back in place to where you made your scribe marks to ensure previous alignment.

Figure 1

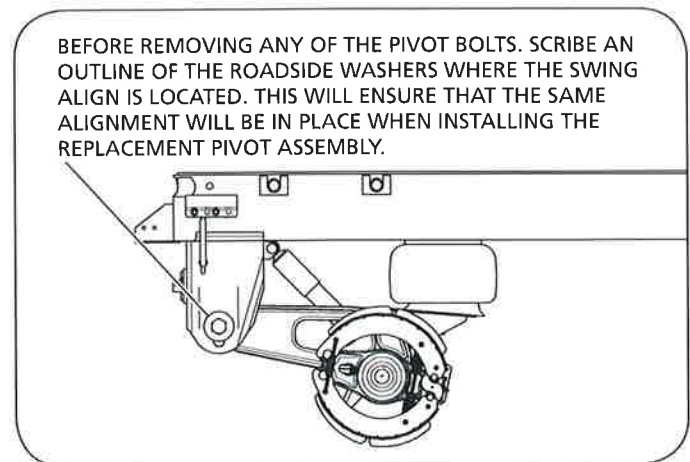
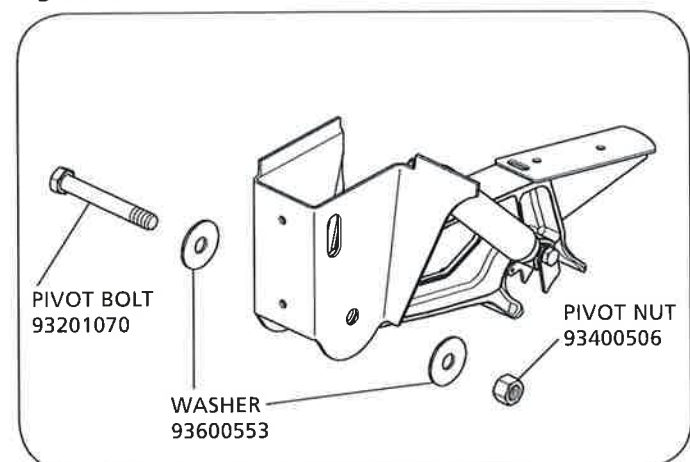


Figure 2



10. Torque the new pivot nut to a value of 550-600 ft.-lbs.
11. Clean the head of the bolt and add a white paint dot to indicate a change has been made.
12. Reinstall the tires.
13. Repeat this process for the pivot assembly hardware on the curbside of the suspension.
14. Lower the axle and tires onto the ground.
15. Repeat this procedure for the other suspensions affected.
16. Raise trailer approximately 2" and remove jack stands.
17. Air up the trailer suspension.



From fifth wheel rebuild kits to suspension bushing repair kits,
SAF-HOLLAND Original Parts are the same quality components used
in the original component assembly.

SAF-HOLLAND Original Parts are tested and designed to provide
maximum performance and durability. Will-fits, look-alikes or, worse
yet, counterfeit parts will only limit the performance potential and
could possibly void SAF-HOLLAND's warranty. Always be sure to specify
SAF-HOLLAND Original Parts when servicing your
SAF-HOLLAND product.

SAF-HOLLAND USA • 888.396.6501 • Fax 800.356.3929
www.safholland.us

SAF-HOLLAND CANADA • 519.537.3494 • Fax 800.565.7753
WESTERN CANADA • 604.574.7491 • Fax 604.574.0244
www.safholland.ca

SAF-HOLLAND MEXICO • 52.55.5362.8743 • Fax 52.55.5362.8743
www.safholland.com.mx

info@safholland.com



JET COMPANY
 1303 North 13th Street
 Humboldt, IA 50548
 (515) 332-3117 • (515) 332-5092 Fax

1. White/top copy – Return to Jet Company
2. Yellow/middle copy – Dealer Copy
3. Pink/last copy – Customer Copy

WARRANTY REGISTRATION FORM

This form must be filled out by the dealer and signed by both dealer and customer at time of delivery.

Customer Name _____ Dealer Name _____
 Address _____
 City _____
 State, Zip Code _____ Delivery Date _____
 Phone _____ Cell _____ Model _____
 e-mail _____ Serial # _____

FLATBED/DROPDECK/SIDE DUMP/LOWBOY CUSTOMER	GRAIN TRAILER CUSTOMER
Ownership company/fleet _____	Farmer _____ Co-op _____ Commercial _____
Owner/operator _____	
Kind of trailers owned	Commodities hauled:
Flatbeds _____ Dropdecks _____ Tags _____	Small grains _____
Side Dumps _____ Detachable Gooseneck _____	Feed ingredients _____
Average weight hauled _____	Other _____
Heaviest load hauled _____	
Freight generally hauled _____	

Are you interested in any other trailers? _____
 Which trailer? _____
 When would you need your next trailer? _____ Approximate date required? _____

Referral: Do you know anyone who needs a new Jet trailer? _____ Type of Trailer _____
 Name _____ Address _____ Phone _____

Where did you learn about Jet Trailer? Printed ads _____ Internet
 Shows _____ Other Jet Owner
 Why did you buy a Jet Trailer? _____

- PURCHASER'S SIGNATURE INDICATES**
- Acceptance of equipment, fully assembled
 - Receipt of owner's manual
 - Clear understanding of warranty
 - Receipt of instructions on safe and proper operating procedures

- DEALER'S SIGNATURE INDICATES**
- Equipment was tested functionally and operates properly
 - Purchaser was instructed in safe and proper operating procedures
 - Warranty was explained to purchaser
 - Purchaser was given owner's manual

THIS WARRANTY MUST BE VALIDATED BY MANUFACTURER

It is valid only when the copy has been received by manufacturer at address shown.

I have thoroughly instructed the buyer on the above described equipment; review included the owner's manual content, equipment care, adjustments, safe operation and applicable warranty policy.

Date _____ Dealer's Signature _____

The above equipment and owner's manual have been received by me and I have been thoroughly instructed as to care, adjustments, safe operation and applicable warranty policy.

Date _____ Owner's Signature _____