



Bulletin No.: 15757A  
Date: March 2016

# Recall Bulletin

## PRODUCT SAFETY RECALL

**SUBJECT:** Under Hood Fire

**MODELS:** 1997-2004 Buick Regal  
2000-2004 Chevrolet Impala  
1998-1999 Chevrolet Lumina  
1998-2004 Chevrolet Monte Carlo  
1998-1999 Oldsmobile Intrigue  
1997-2004 Pontiac Grand Prix  
Equipped with 3.8L V6 Engine (RPO L26, L32, L36 or L67)

The Service Procedure in this bulletin has been revised to provide service repair tips that may reduce the amount of time and effort required to perform the repair. In addition, beauty cover removal, retention, and disposal information is provided. Please discard all copies of bulletin 15757.

It is a violation of Federal law for a dealer to deliver a new motor vehicle or any new or used item of motor vehicle equipment (including a tire) covered by this notification under a sale or lease until the defect or noncompliance is remedied.

All involved vehicles that are in dealer inventory must be held and not delivered to customers, dealer traded, or used for demonstration purposes until the repair contained in this bulletin has been performed on the vehicle.

### CONDITION

General Motors has decided that a defect which relates to motor vehicle safety exists in **certain** of the following vehicles equipped with a 3.8L V6 engine (RPO L26, L32, L36 or L67): 1997-2004 model year (MY) Buick Regal, 2000-2004 MY Chevrolet Impala, 1998-1999 MY Chevrolet Lumina, 1998-2004 MY Chevrolet Monte Carlo, 1998-1999 MY Oldsmobile Intrigue, and 1997-2004 MY Pontiac Grand Prix. Certain of these vehicles have a condition in which drops of engine oil may be deposited on the exhaust manifold through hard braking. This condition could cause an engine compartment fire. Certain of these vehicles produced before June 26, 2003 were subject to General Motors' prior safety recalls 07035, 09047 and 14574. In some cases, the remedy procedure performed on these vehicles pursuant to the prior recalls may not be sufficient to prevent subsequent engine compartment fires relating to this condition in the affected vehicles. Vehicles previously repaired under the referenced recalls will receive further repairs as part of this recall.

### CORRECTION

Dealers are to replace the engine's front valve cover and front-valve-cover gasket with new parts of an improved design. The engine's plastic "beauty" cover and plastic oil-fill-tube extension will be removed, if they have not been already.

## VEHICLES INVOLVED

All involved vehicles are identified by Vehicle Identification Number on the Investigate Vehicle History screen in GM Global Warranty Management system. Dealership service personnel should always check this site to confirm vehicle involvement prior to beginning any required inspections and/or repairs. It is important to routinely use this tool to verify eligibility because not all similar vehicles may be involved regardless of description or option content.

For dealers with involved vehicles, a listing with involved vehicles containing the complete vehicle identification number, customer name, and address information has been prepared and will be provided to US and Canadian dealers through the GM GlobalConnect Recall Reports, or sent directly to export dealers. Dealers will not have a report available if they have no involved vehicles currently assigned.

The listing may contain customer names and addresses obtained from Motor Vehicle Registration Records. The use of such motor vehicle registration data for any purpose other than follow-up necessary to complete this recall is a violation of law in several states/provinces/countries. Accordingly, you are urged to limit the use of this report to the follow-up necessary to complete this recall.

## PART INFORMATION

**Note:** Use the Vehicle Identification Number (VIN), SI and the GM Electronic Parts Catalog to determine which part to order.

**For U.S. and Canada:** Parts required to complete this recall are to be obtained from General Motors Customer Care and Aftersales (GMCCA). **Parts are currently in limited supply.** Order parts on a CSO = Customer Special Order only. DRO's will be cancelled. If a SPAC case is required, dealers should place a CSO order (not CSO3) and upgrade the order to a SPAC case themselves. Parts may have quantity limiters in effect. **All orders will be reviewed prior to being filled.**

**For Export:** Please contact CCA's Export Order Fulfillment group to place the order on your behalf.

Important: Due to limited initial parts availability, dealers are encouraged not to order recall parts for use as shelf stock.

Part Number	Description	Quantity/Vehicle
12590363	Valve Cover LH (Supercharged)	1
12590366	Valve Cover LH (Naturally Aspirated)	1
24503937	Gasket, Valve Rocker Arm Cover (Supercharged)	1
25532619	Gasket, Valve Rocker Arm Cover (Naturally Aspirated)	1
88891792	Retainer, S Plug Wire (4-wire, 7mm)	1 (If Required)
12132229	Retainer, S Plug Wire (2-wire, 7mm)	1 (If Required)
	Oil Fill Cap O-Ring	*1 (If Required)

\*Not all vehicles will require an oil fill cap o-ring. Use the VIN, SI and the GM Electronic Parts Catalog to determine which part to order.

## SERVICE PROCEDURE

The service procedure listed in this document varies from the procedure that is listed in SI for replacing the left or front engine valve cover. Below are a few tips to help with the procedure:

- Release the retaining tab from the evaporative emission (EVAP) canister purge mounting bracket and set the EVAP canister purge valve aside. It is not necessary to disconnect the EVAP hoses from the EVAP canister purge valve. (Naturally aspirated engine only).
- Remove the spark plug wires from the ignition coil only. It is not necessary to remove them from the spark plugs. Damage to the spark plug wires could occur if they are removed from the spark plugs.
- When removing the left engine mount strut bracket, break the upper bolts loose using a boxed end wrench. Then use a ¼" drive ratchet, extension, and swivel socket to fully remove the bolts. This allows enough clearance to remove the bolts without removing the fuel injection rail.
- Loosen the left engine lift bracket enough to allow clearance for the valve cover to be removed. It is not necessary to remove it from the engine.

General Motors' number one priority is our customers' safety. The measures we are taking to remedy the potential oil leaking condition from the valve cover gasket have been validated to be reliable for the life of your vehicle. However, as an extra precaution, we want to eliminate potentially flammable items that are in close proximity to the valve covers. For this reason, do NOT install the cosmetic plastic covering over the top of the engine after the valve cover and gasket are replaced. Please retain the fuel injector sight shield (beauty cover) for the retention period published in the GM Policy and Procedure Manual. Destroy and discard these parts after the retention period to ensure they do not enter the stream of commerce.

### **3.8L V6 Naturally Aspirated and Supercharged Engine Preliminary Inspection**

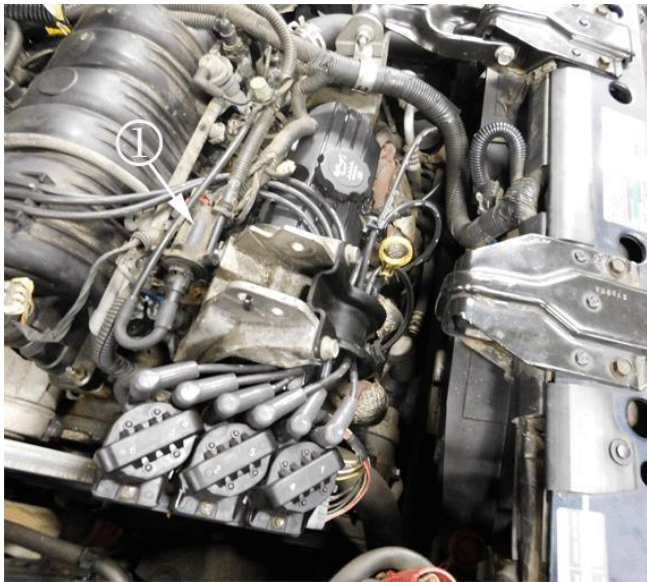
**Note:** Clean the area around the tube/oil fill cap before removing the tube/oil fill cap in order to prevent contaminants from falling into the valve cover opening.



4358359

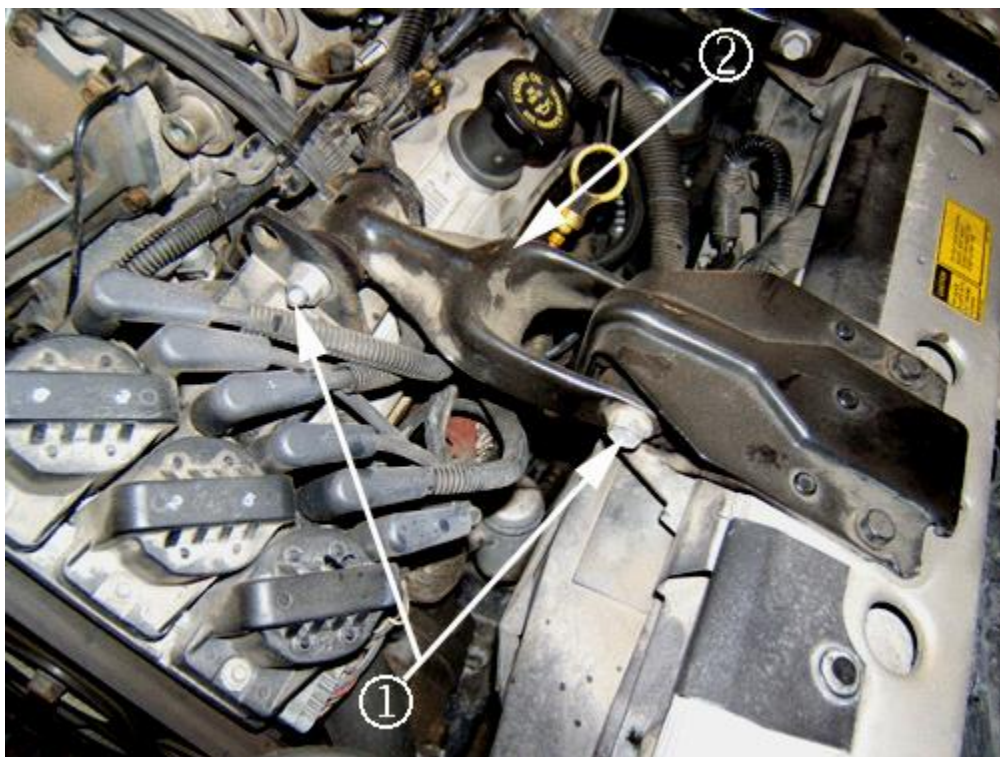
1. Perform steps 1.1 through 1.4 to remove and discard the fuel injector sight shield (1).

- 1.1. Remove the oil fill cap (2) by twisting it counterclockwise.
- 1.2. Remove the oil fill tube (3) by twisting it counterclockwise and discard.
- 1.3. Lift the fuel injector sight shield up at the front and slide the tab out of the engine bracket.
- 1.4. Discard the fuel injector sight shield. Do NOT reinstall the sight shield.
- 1.5. Inspect the oil fill cap o-ring for damage. If there are signs of damage, replace the o-ring.
- 1.6. Reinstall the oil fill cap in the valve cover to prevent engine oil contamination.



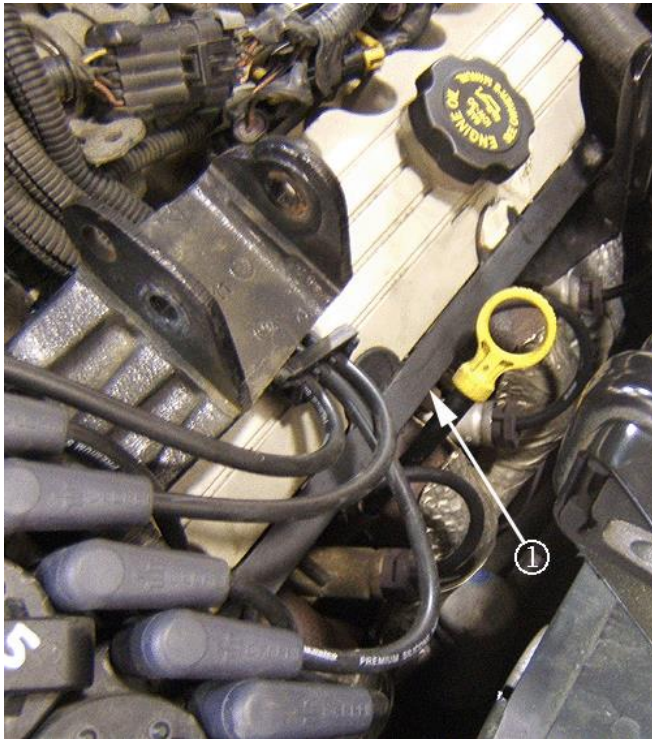
4358361

2. Release the retaining tab on the evaporative emission (EVAP) canister purge mounting bracket and set the EVAP canister purge valve aside (1). Naturally aspirated engine only.



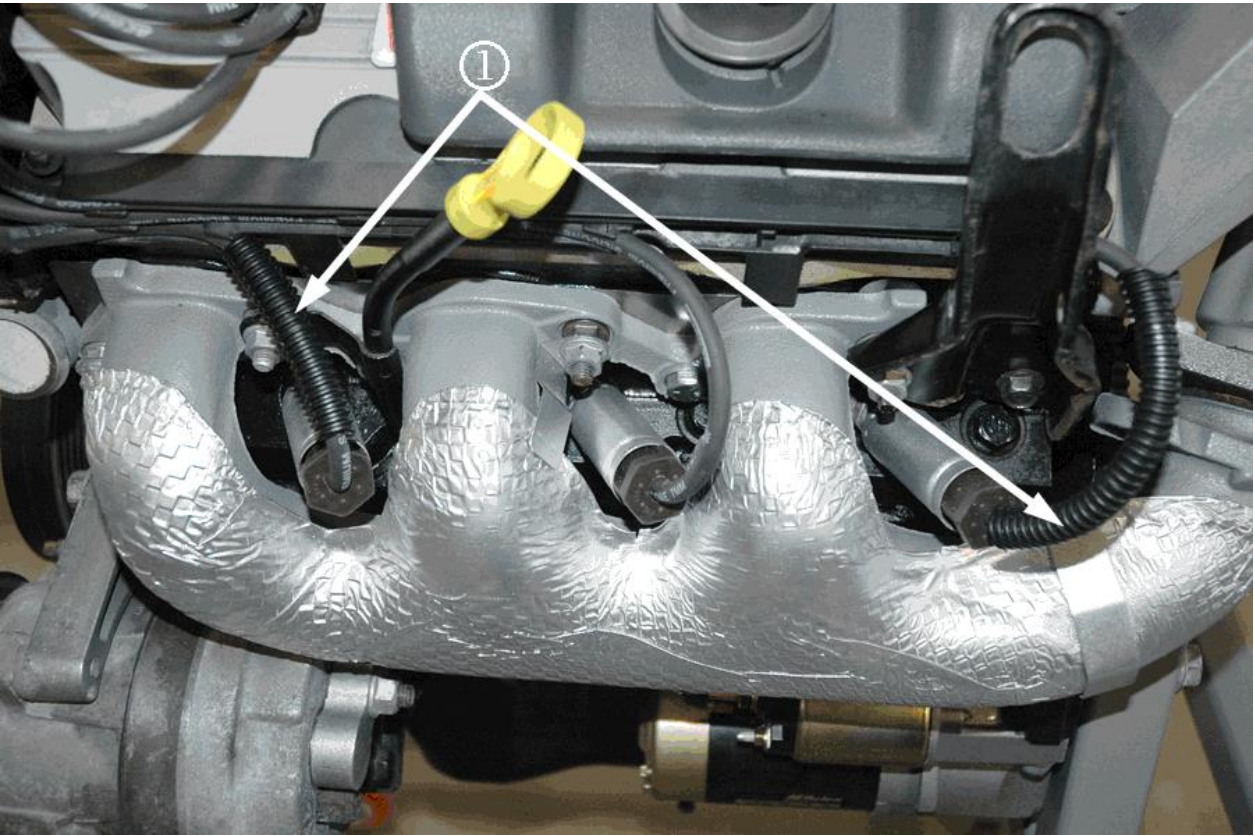
2074279

3. Remove the left engine mount strut (2). Supercharged engine shown. Naturally aspirated engine is similar.
  - 3.1. Remove the bolt and the nut from the left engine mount strut at the left engine mount strut bracket on the engine (1).
  - 3.2. Remove the bolt and the nut from the left engine mount strut at the left engine mount strut bracket on the upper radiator support (1).
  - 3.3. Remove the engine mount strut (2).



2074278

4. If present, remove the 1-3-5 spark plug plastic retaining channel (cover) clip/bracket (1) from the engine and discard.



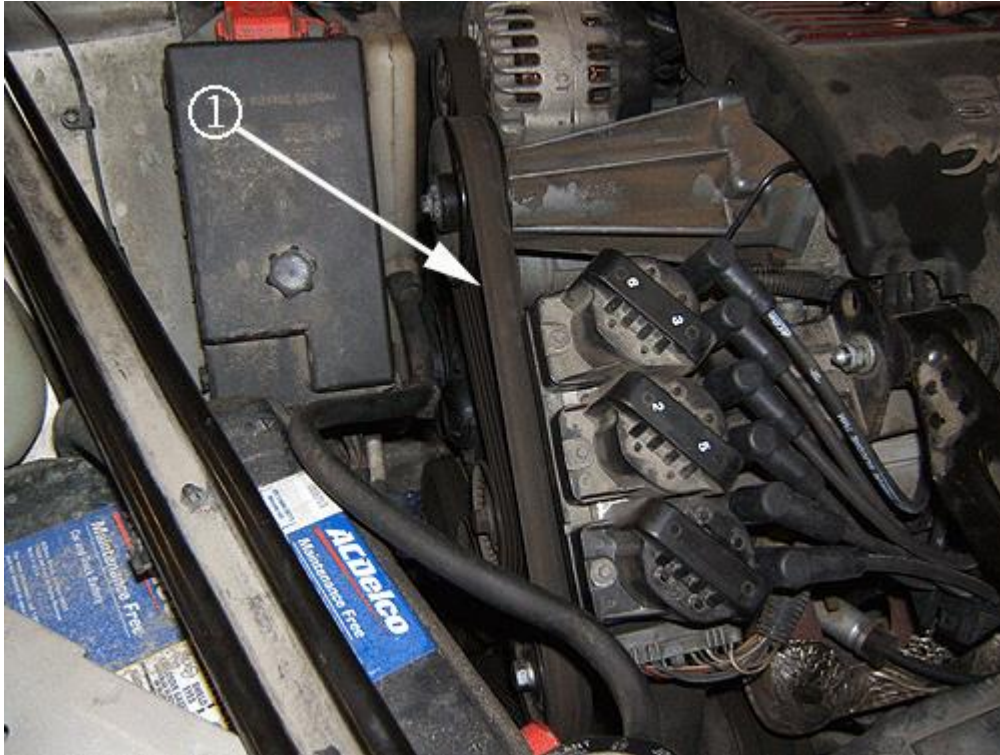
2473373

5. If present, remove any plastic (polypropylene) conduit (1) from the spark plug wires at the front of the engine (should only be found on spark plug wires 1 and 5).
6. Refer to steps 9 and 10 for *Equipped with 3.8L V6 Supercharged Engine (RPO L32 / L67)* or steps 7 and 8 for *Equipped with 3.8L V6 Naturally Aspirated Engine (RPO L26 / L36)* to ensure proper placement of spark plug wire retainers.
7. Proceed to one of the following sections in this bulletin: *Equipped with 3.8L V6 Supercharged Engine (RPO L32 / L67)* or *Equipped with 3.8L V6 Naturally Aspirated Engine (RPO L26 / L36)*.

**Equipped with 3.8L V6 Supercharged Engine (RPO L32 / L67)**

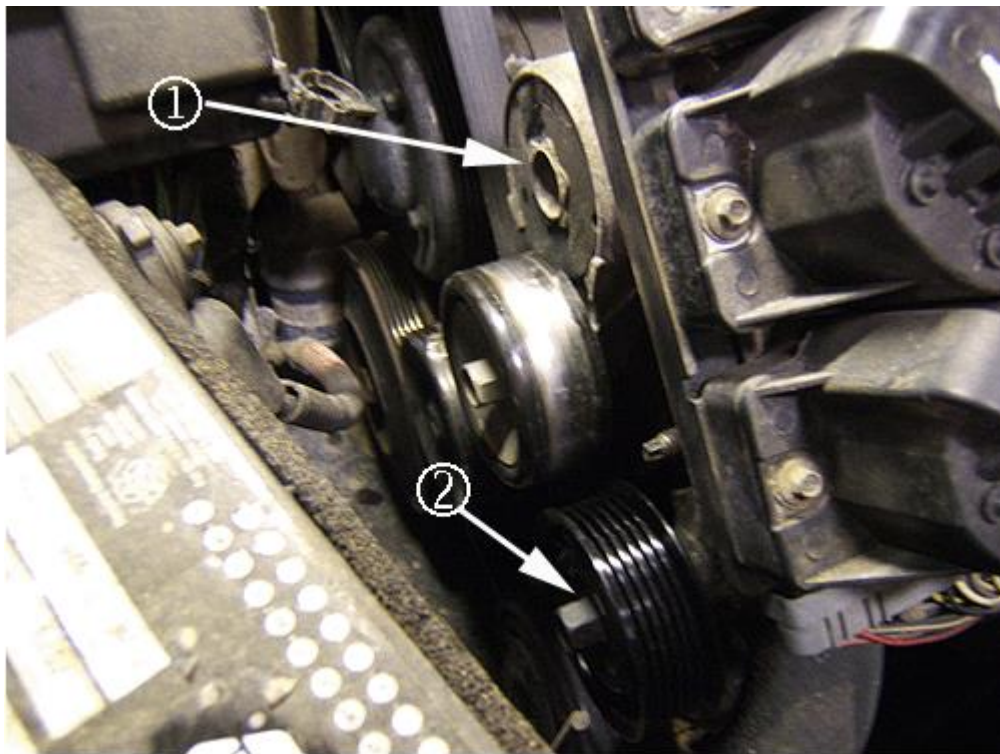
**Note:** It is not necessary to remove the spark plug wires from the spark plugs.

1. Remove all six spark plug wires from the ignition coils only. Set the spark plug wires aside.



2077658

2. Remove the supercharger drive belt (1). Lift or rotate the supercharger drive belt tensioner using a 15 mm box end wrench on the pulley nut and remove the belt.



2074283

3. Remove the supercharger drive belt tensioner (1) and idler pulley (2).

- 3.1. Remove the supercharger drive belt tensioner nut and remove belt tensioner (1) from the engine.
- 3.2. Remove the idler pulley bolt (2).
- 3.3. Remove the drive belt idler pulley (2) from the engine.

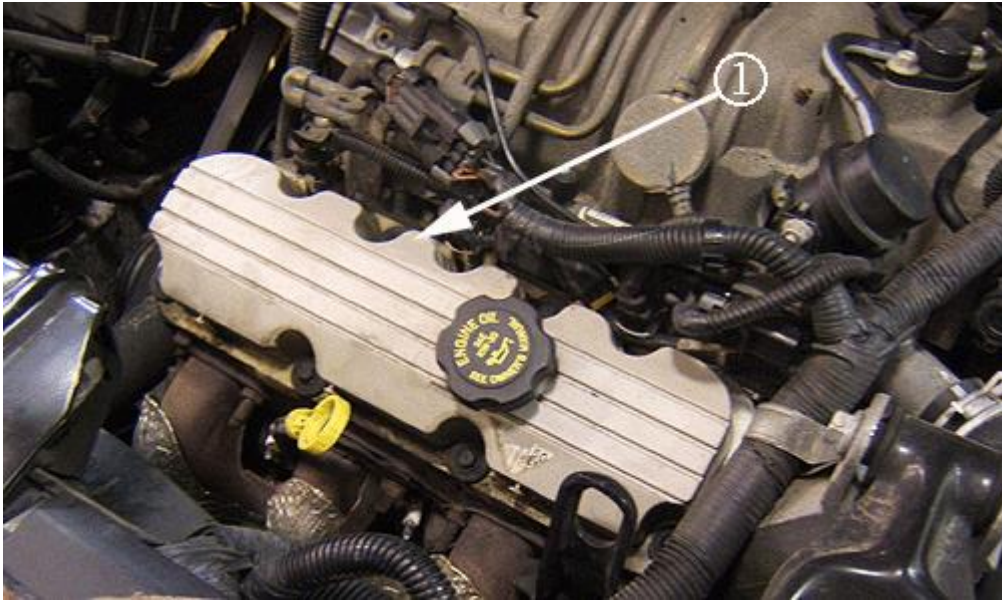


2077654

**Note:** It is not necessary to remove the ignition coils/module or the 14-way connector (1) from the left engine mount strut bracket.

4. Remove the left engine mount strut bracket (1) as an assembly.
  - 4.1. Remove the left engine mount strut bracket assembly nuts.
  - 4.2. Remove the stud holding the electronic ignition control module ground and left engine mount strut bracket assembly to the cylinder head.
  - 4.3. Remove the left engine mount strut bracket assembly (1) from the cylinder head and set aside.





2074284

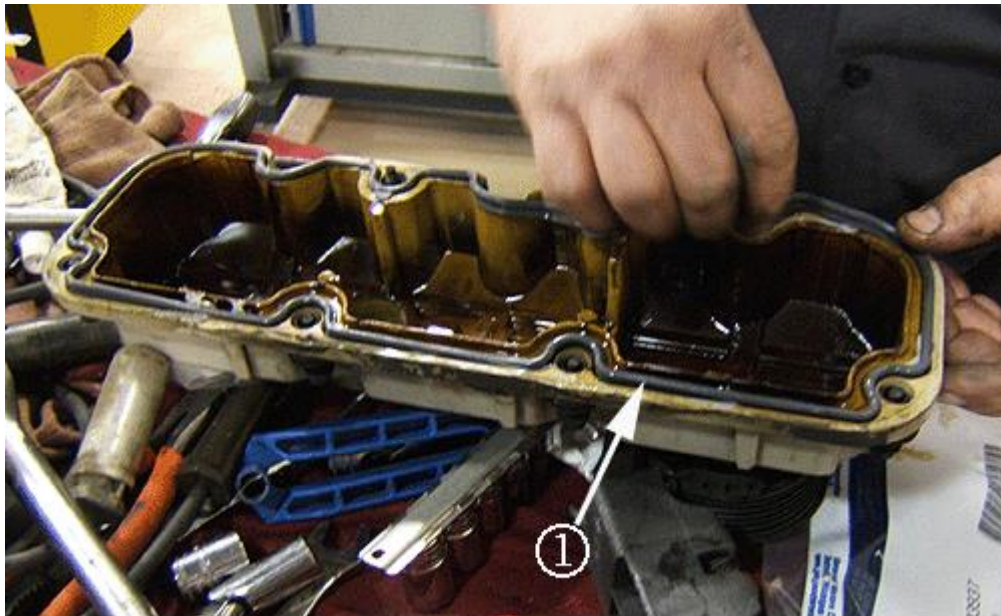
**Danger:** Do not use a brake cleaner, or equivalent to remove the oil residue from the exhaust manifold; doing so may cause an engine fire.

**Note:** Before the removal of the left or front engine valve cover, use an engine degreaser or equivalent in order to remove the oil residue from the exhaust manifold and the oil and dirt residue from the intake manifold, cylinder head, and engine block. It may be necessary to use a brush or scraper.

5. Remove the left or front engine valve cover (1) and discard.
  - 5.1. Remove the valve cover bolts.

**Note:** If the valve rocker arm cover (1) adheres to the cylinder head, remove the valve cover by bumping the end of the valve cover with palm of hand or with a soft rubber mallet.

- 5.2. Remove the valve cover from the engine cylinder head.
- 5.3. Remove the valve cover gasket.
- 5.4. Clean the sealing surface on the cylinder head with an engine degreaser or equivalent.
- 5.5. Clean the valve cover bolts of all dirt, grime or thread locking adhesive.
- 5.6. Clean the rubber grommets by wiping them off with a shop towel.



2076766

6. Install a new left or front valve cover gasket (1) into the new valve cover and make sure that the valve cover gasket is seated properly in the valve cover groove. The old valve cover is shown for illustrative purposes only.
  - 6.1. Install the six valve cover bolts and the six grommets into the valve cover.
  - 6.2. Apply medium strength thread lock compound (blue) to the six valve cover bolt threads.
  - 6.3. Install the valve cover and gasket (1) to the cylinder head.
  - 6.4. Tighten the valve cover bolts to 10 Nm (89 lb in).



2077654

7. Install the left engine mount strut bracket assembly to the cylinder head (1).
  - 7.1. Install the left engine mount strut bracket nuts and stud.
  - 7.2. Install the stud holding the electronic ignition control module ground and left engine mount strut bracket assembly to the cylinder head.
  - 7.3. Tighten the left engine mount strut bracket nuts and stud to 50 Nm (37 lb ft).
8. Install all six spark plug wires to the ignition coils.



2257359

9. Ensure that spark plug retainer (1) is connected to spark plug wire 4 and spark plug wires 1, 3, and 5. Make sure that spark plug wires 2, 4 and 6 are secured to the original retainers and under the left engine mount strut bracket (2).

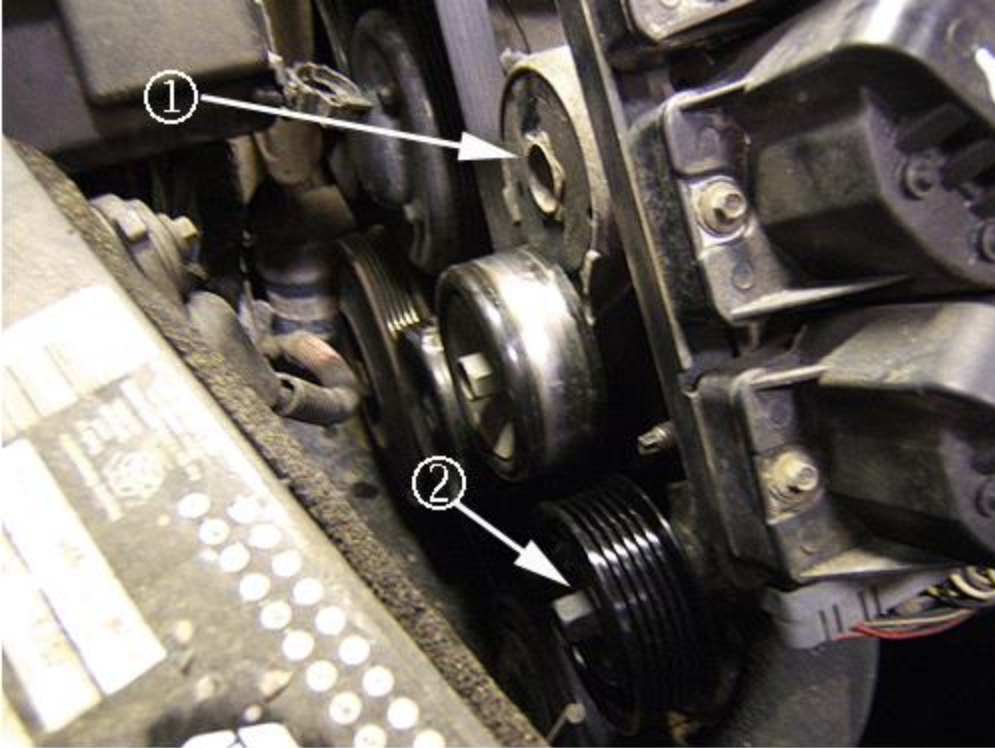


2257363

**Note:** Do NOT position the retainers above an exhaust runner.

10. Ensure that spark plug wires 3 and 5 are routed behind the oil level indicator and lift bracket. Verify that spark plug retainers (1 and 3) are positioned above the #1 and #3 cylinder spark

plug wire boots as shown above. Verify that spark plug retainer (3) is approximately 50mm (2 in) from the oil level indicator (2).



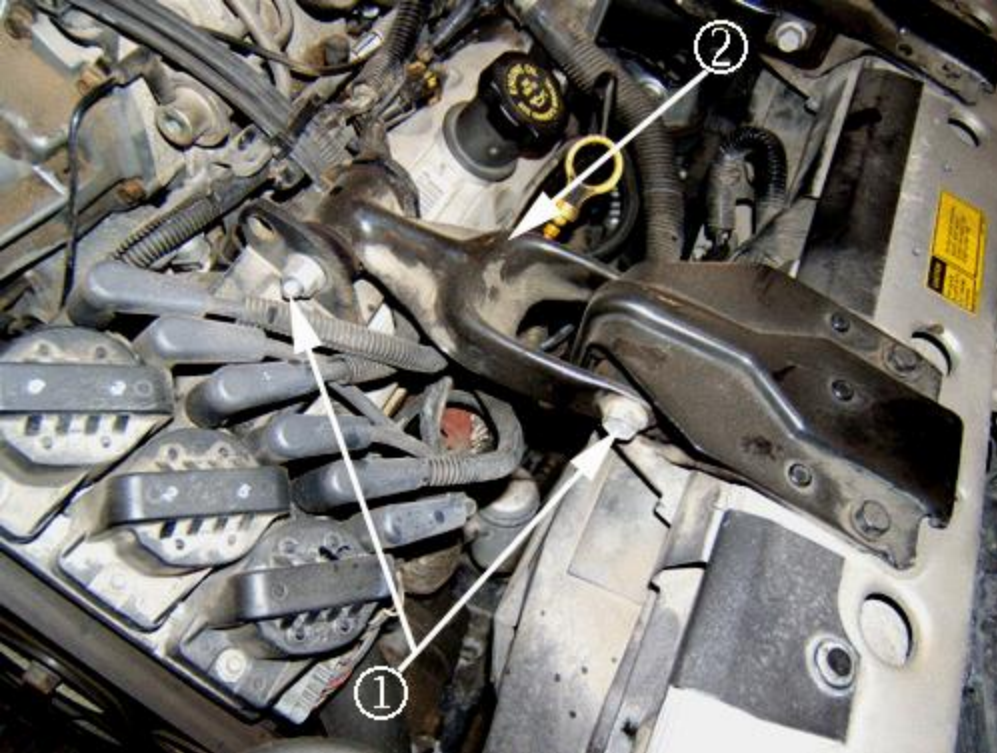
2074283

11. First install the supercharger drive belt idler pulley and bolt (2). Then install the supercharger drive belt tensioner and nut (1).
12. Tighten both the supercharger drive belt idler pulley bolt and supercharger drive belt tensioner nut to 50 Nm (37 lb ft).



2077658

13. Install the supercharger drive belt (1). Lift or rotate the drive belt tensioner using a 15 mm box end wrench on the pulley nut and install the supercharger drive belt.



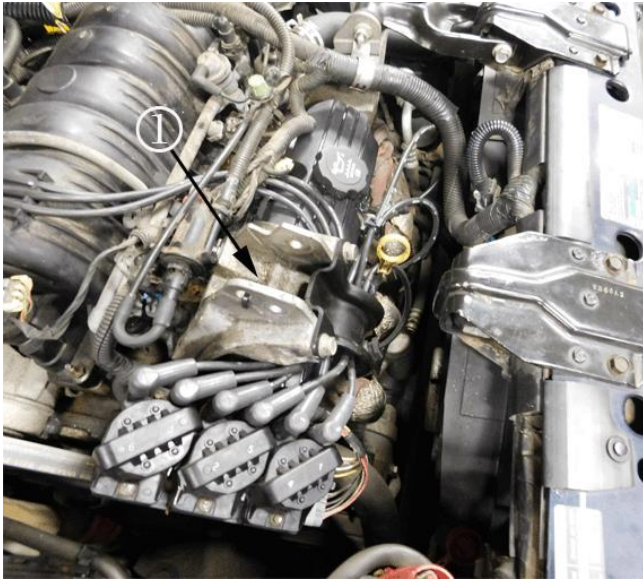
2074279

14. Install the left engine mount strut (2).
  - 14.1. Install the bolt and the nut to the left engine mount strut at the left engine mount strut bracket on the upper radiator support (1) and tighten to 48 Nm (35 lb ft).

**Note:** If equipped, the P-clip on the engine wiring harness must be vertical to the left engine mount strut bracket when installed.
  - 14.2. Install the bolt and the nut to the left engine mount strut at the left engine mount strut bracket on the engine (1) and tighten to 48 Nm (35 lb ft).
15. Inspect for the proper oil level.
16. Inspect for any oil leaks.

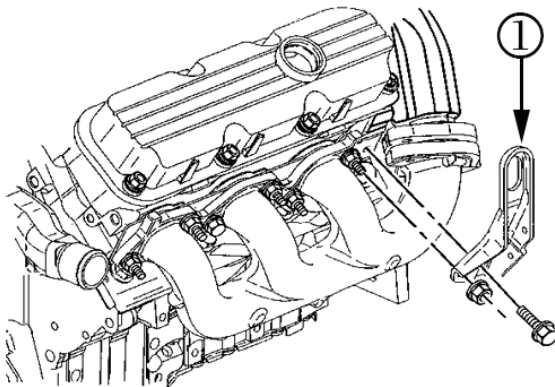
**Equipped with 3.8L V6 Naturally Aspirated Engine (RPO L26 / L36)**

1. Remove the 1-3-5 spark plug wires from the ignition coils.



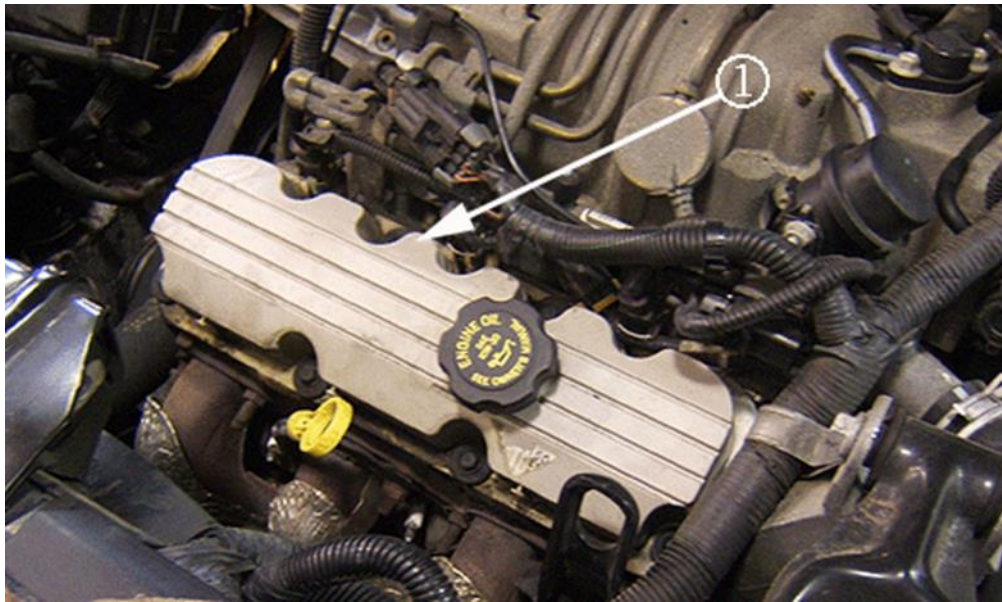
4358363

2. Remove the left engine mount strut bracket (1).



4358366

3. Loosen the left engine lift bracket (1) enough to allow clearance for the valve cover to be removed. It is not necessary to remove it from the engine.



2074284

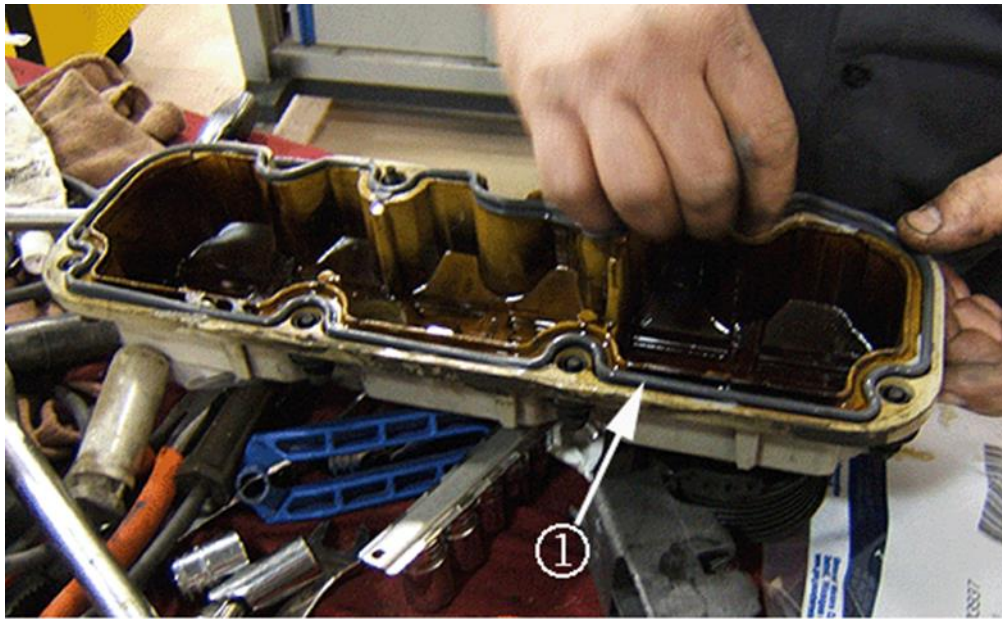
**Danger:** Do not use a brake cleaner, or equivalent to remove the oil residue from the exhaust manifold; doing so may cause an engine fire.

**Note:** Before the removal of the left or front engine valve cover, use an engine degreaser or equivalent in order to remove the oil residue from the exhaust manifold and the oil and dirt residue from the intake manifold, cylinder head, and engine block. It may be necessary to use a brush or scraper.

4. Remove the left or front engine valve rocker arm cover (1) and discard.
  - 4.1. Remove the valve cover bolts.

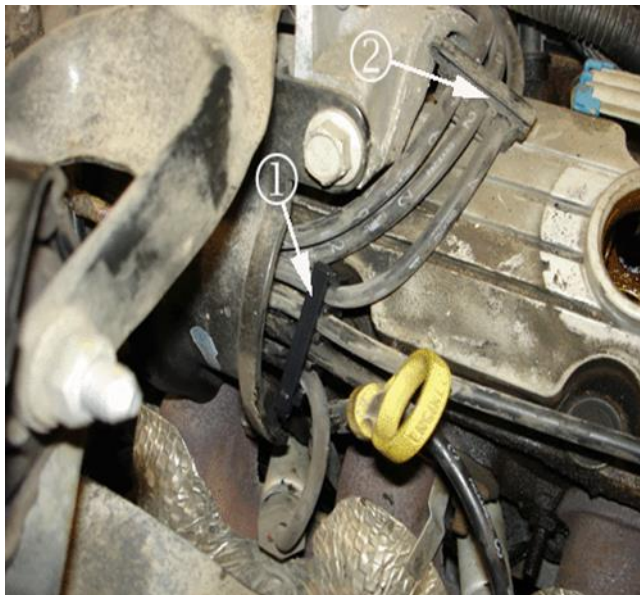
**Note:** If the valve rocker arm cover (1) adheres to the cylinder head, remove the valve cover by bumping the end of the valve cover with palm of hand or with a soft rubber mallet.

- 4.2. Remove the valve cover from the engine cylinder head.
- 4.3. Remove the valve cover gasket.
- 4.4. Clean the sealing surface on the cylinder head with an engine degreaser or equivalent.
- 4.5. Clean the valve cover bolts of all dirt, grime or thread locking adhesive.
- 4.6. Clean the rubber grommets by wiping them off with a shop towel.



2076766

5. Install a new left or front valve cover gasket (1) into the new valve cover and make sure that the valve cover gasket is seated properly in the valve cover groove. The old valve cover is shown for illustrative purposes only.
  - 5.1. Install the six valve cover bolts and the six grommets into the valve cover.
  - 5.2. Apply medium strength thread lock compound (blue) to the six valve cover bolt threads.
  - 5.3. Install the valve cover and gasket (1) to the cylinder head.
  - 5.4. Tighten the valve cover bolts to 10 Nm (89 lb in).
6. Install the 1-3-5 spark plug wires to the ignition coils.



2257359

7. Ensure that spark plug retainer (1) is connected to spark plug wire 4 and spark plug wires 1, 3, and 5. Make sure that spark plug wires 2, 4 and 6 are secured to the original retainers and under the left engine mount strut bracket (2).

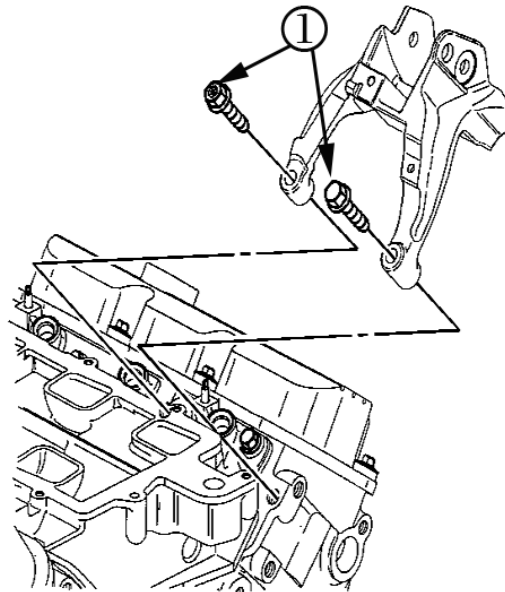
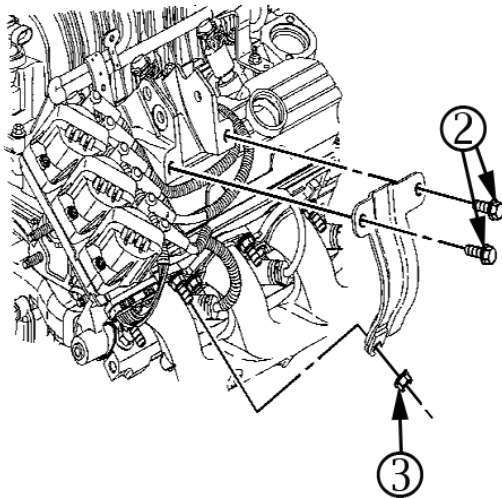




2257363

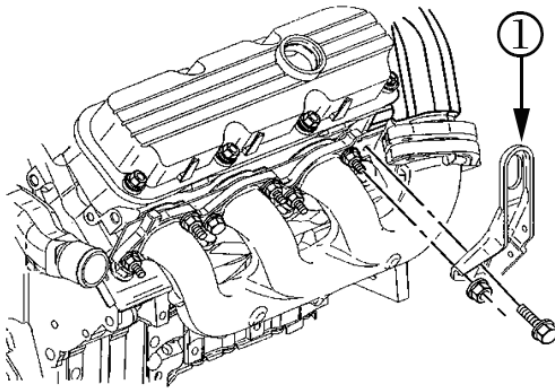
**Note:** Do NOT position the retainers above an exhaust runner.

8. Ensure that spark plug wires 3 and 5 are routed behind the oil level indicator and lift bracket. Verify that spark plug retainers (1 and 3) are positioned above the #1 and #3 cylinder spark plug wire boots as shown above. Verify that spark plug retainer (3) is approximately 50mm (2 in) from the oil level indicator (2).



4358369

9. Install the left engine mount strut bracket.
  - 9.1. Tighten the upper engine mount strut bracket bolts (1) to 50 Nm (37 lb ft).
  - 9.2. Tighten the lower engine mount strut bracket bolts (2) to 50 Nm (37 lb ft).
  - 9.3. Tighten the lower engine mount strut bracket nut (3) to 30 Nm (22 lb ft).



4358366

10. Install the left engine lift bracket (1) and tighten the nut and bolt to 30 Nm (22 lb ft).
11. Install the left engine mount strut and tighten the bolts to 48 Nm (35 lb ft).
12. Inspect for the proper oil level.
13. Inspect for any oil leaks.

#### CUSTOMER REIMBURSEMENT - For US

Customer requests for reimbursement of previously paid repairs for the recall condition that have not previously submitted, are to be submitted to the dealer by February 28, 2017, unless otherwise specified by state law. If this is not convenient for the customer, the customer may mail the completed Customer Reimbursement Request Form and all required documents to the GM Customer Assistance Center.

**All reasonable and customary costs to correct the condition described in this bulletin should be considered for reimbursement. Any questions or concerns should be reviewed with your GM representative prior to processing the request.**

When a customer requests reimbursement, they must provide the following:

- A completed Customer Reimbursement Request Form. This form is mailed to the customer or can be obtained through GM GlobalConnect.
- The name and address of the person who paid for the repair.
- Paid receipt confirming the amount of the repair expense, a description of the repair, and the person or entity performing the repair.

**IMPORTANT:** GM requires dealers to approve or deny a reimbursement request within 30 days of receipt. If a reimbursement request is approved, the dealer should immediately issue a check to the customer and submit an appropriate warranty transaction for the incurred expense. If a reimbursement request is denied, the dealer MUST provide the customer with a clear and concise explanation, in writing, as to why the request was denied. The bottom portion of the Customer Reimbursement Request Form may be used for this purpose. If the denial was due to missing documents, the customer can resubmit the request when the missing documents are obtained, as long as it is still within the allowed reimbursement period.

Warranty transactions for customer reimbursement of previously paid repairs are to be submitted as required by GM Global Warranty Management. Additional information can also be found in Warranty Administration Bulletin 11-00-89-004.

### CUSTOMER REIMBURSEMENT - For Canada and Export

Customer requests for reimbursement of previously paid repairs to correct the condition described in this bulletin and that have not previously been submitted, are to be submitted to the dealer prior to or by February 28, 2017.

When a customer requests reimbursement, they must provide the following:

- Proof of ownership at time of repair.
- Original paid receipt confirming the amount of unreimbursed repair expense(s) (including Service Contract deductibles), a description of the repair, and the person or entity performing the repair.

All reasonable and customary costs to correct the condition described in this bulletin should be considered for reimbursement. Any questions or concerns should be reviewed with your GM representative prior to processing the request.

### WARRANTY TRANSACTION INFORMATION

Submit a transaction using the table below. All transactions should be submitted as a ZFAT transaction type, unless noted otherwise.

<b>Labor Code</b>	<b>Description</b>	<b>Labor Time</b>	<b>Net Item</b>
9100840	Replace Valve Rocker Arm Cover and Gasket - Supercharged Engine - Naturally Aspirated Engine	0.8 0.5	N/A
9101979	Customer Reimbursement Approved	0.2	*
9101980	Customer Reimbursement Denied - For US dealers only	0.1	N/A

**Note:** Customer reimbursement will not close this recall. The service procedure must also be performed on the vehicle.

- \* The amount identified in "Net Item" should represent the dollar amount reimbursed to the customer.

### CUSTOMER NOTIFICATION – For US and Canada

General Motors will notify customers of this recall on their vehicle (see copy of customer letter included with this bulletin).

### CUSTOMER NOTIFICATION – For Export

Letters will be sent to known owners of record located within areas covered by the US National Traffic and Motor Vehicle Safety Act. For owners outside these areas, dealers should notify customers using the attached sample letter.

## DEALER RECALL RESPONSIBILITY – For US and Export (US States, Territories, and Possessions)

It is a violation of Federal law for a dealer to deliver a new motor vehicle or any new or used item of motor vehicle equipment (including a tire) covered by this notification under a sale or lease until the defect or noncompliance is remedied.

The US National Traffic and Motor Vehicle Safety Act provides that each vehicle that is subject to a recall of this type must be adequately repaired within a reasonable time after the customer has tendered it for repair. A failure to repair within sixty days after tender of a vehicle is prima facie evidence of failure to repair within a reasonable time. If the condition is not adequately repaired within a reasonable time, the customer may be entitled to an identical or reasonably equivalent vehicle at no charge or to a refund of the purchase price less a reasonable allowance for depreciation. To avoid having to provide these burdensome remedies, every effort must be made to promptly schedule an appointment with each customer and to repair their vehicle as soon as possible. In the recall notification letters, customers are told how to contact the US National Highway Traffic Safety Administration if the recall is not completed within a reasonable time.

## DEALER RECALL RESPONSIBILITY – All

All new, used, GM Certified Used, courtesy transportation vehicles, dealer shuttle vehicles, etc. in dealers' possession and subject to this recall must be held and inspected/repaired per the service procedure of this bulletin before customers take possession of these vehicles. Involved vehicles must be held and not delivered to customers, dealer-traded, released to auction, used for demonstration, or any other purpose.

All GM Certified Used vehicles currently in the dealers' inventory within the Certified Pre-Owned Inventory System (CPOIS) will be de-certified and must be held and remedied per the service procedure in this bulletin. Upon submitting an accepted/paid warranty transaction in the Global Warranty Management (GWM) system, the vehicle can be re-certified for sale within the CPOIS system, or once again be used in the CTP program.

Dealers are to service all vehicles subject to this recall at no charge to customers, regardless of mileage, age of vehicle, or ownership, from this time forward.

Customers who have recently purchased vehicles sold from your vehicle inventory, and for which there is no customer information indicated on the dealer listing, are to be contacted by the dealer. Arrangements are to be made to make the required correction according to the instructions contained in this bulletin. A copy of the customer letter is provided in this bulletin for your use in contacting customers. Recall follow-up cards should not be used for this purpose, since the customer may not as yet have received the notification letter.

In summary, whenever a vehicle subject to this recall enters your vehicle inventory, or is in your dealership for service in the future, you must take the steps necessary to be sure the recall correction has been made before selling or releasing the vehicle.





# IMPORTANT SAFETY RECALL

February 2016

This notice applies to your vehicle, **VIN:** \_\_\_\_\_

Dear General Motors Customer:

This notice is sent to you in accordance with the National Traffic and Motor Vehicle Safety Act.

General Motors has decided that a defect, which relates to motor vehicle safety, exists in certain of the following vehicles equipped with a 3.8L V6 engine: 1997-2004 model year (MY) Buick Regal, 2000-2004 MY Chevrolet Impala, 1998-1999 MY Chevrolet Lumina, 1998-2004 MY Chevrolet Monte Carlo, 1998-1999 MY Oldsmobile Intrigue, and 1997-2004 MY Pontiac Grand Prix vehicles equipped with a 3.8L V6 engine. As a result, GM is conducting a safety recall. We apologize for this inconvenience. However, we are concerned about your safety and continued satisfaction with our products.

## IMPORTANT

- Your vehicle is involved in GM recall 15757.
- Schedule an appointment with your GM dealer.
- This service will be performed for you at **no charge**.

### Why is your vehicle being recalled?

Drops of engine oil may be deposited on the exhaust manifold through hard braking. This condition could cause an engine compartment fire.

### What will we do?

Your GM dealer will replace your engine's front cover valve cover and front-valve-cover gasket with new parts of an improved design. Your engine's plastic "beauty" cover and plastic oil-fill-tube extension will be removed, if they haven't been already. This service will be performed for you at **no charge**. Because of service scheduling requirements, it is likely that your dealer will need your vehicle longer than the actual service correction time of approximately 35 to 55 minutes, depending on your vehicle's engine configuration.

### What should you do?

You should contact your GM dealer to arrange a service appointment as soon as possible.

This condition does not affect the safe operation of the vehicle, but it is recommended that the vehicle be parked outside and not in a garage or other structure until it is repaired.

### Did you already pay for this repair?

Even though you may have already had repairs for this condition, you will still need to take your vehicle to your dealer for additional repairs. If you have paid for repairs for the recall condition, and have not previously submitted, please complete the enclosed reimbursement form and present it to your dealer with all required documents. Working with your dealer will expedite your request, however, if this is not convenient, you may mail the completed

reimbursement form and all required documents to Reimbursement Department, PO Box 33170, Detroit, MI 48232-5170. The completed form and required documents must be presented to your dealer or received by the Reimbursement Department by February 28, 2017, unless state law specifies a longer reimbursement period.

**Do you have questions?**

If you have questions or concerns that your dealer is unable to resolve, please contact the appropriate Customer Assistance Center at the number listed below.

Division	Number	Text Telephones (TTY)
Buick	1-800-521-7300	1-800-832-8425
Chevrolet	1-800-222-1020	1-800-833-2438
Oldsmobile	1-800-442-6537	1-800-833-6537
Pontiac	1-800-762-2737	1-800-833-7668
Puerto Rico – English	1-800-496-9992	
Puerto Rico – Español	1-800-496-9993	
Virgin Islands	1-800-496-9994	

If after contacting your dealer and the Customer Assistance Center, you are still not satisfied we have done our best to remedy this condition without charge and within a reasonable time, you may wish to write the Administrator, National Highway Traffic Safety Administration, 1200 New Jersey Avenue, SE, Washington, DC 20590, or call the toll-free Vehicle Safety Hotline at 1.888.327.4236 (TTY 1.800.424.9153), or go to <http://www.safercar.gov>. The National Highway Traffic Safety Administration Campaign ID Number for this recall is 15V701.

Federal regulation requires that any vehicle lessor receiving this recall notice must forward a copy of this notice to the lessee within ten days.

Jeffrey M. Boyer  
Vice President  
Global Vehicle Safety

Enclosure  
GM Recall #15757