



Recall Information Bulletin

No: C1008210 **Issued:** 2/12/2016

NHTSA No: 15V-850

Transport Canada No: 2015-597

Re: Fuel Return Hose

Group: 13 **Models:** FE/FG

SUBJECT:

Safety Recall C1008210 – Fuel Return Hose

MODELS:

FEC52, FEC72, FEC92, FGB72

VEHICLES INVOLVED:

Certain 2012 through 2015 model year FEC52, FEC72, FEC92, and FGB72 trucks.

A list of vehicles your Dealership has sold that require this Recall can be found on the Dealer's "Open Campaigns" list supplied by MFTA via Fusonet. Some individual vehicles described above may not need the Recall as the repairs may have already been performed. Always check the "VIN Inquiry" tab under "Service" or "Warranty" on Fusonet to verify that the VIN requires this Safety Recall.

Important note: It is a violation of Federal law for a dealer to deliver a new or used motor vehicle covered by this Recall Information Bulletin, under a sale or lease, until the Safety Recall has been completed.

OWNER NOTIFICATION:

Owners of affected vehicles will be notified by mail.

CONDITION:

Mitsubishi Fuso Truck of America, Inc. has decided that a defect which relates to motor vehicle safety exists in the fuel return hose on certain 2012 through 2015 FEC52, FEC72, FEC92, and FGB72 vehicles. On certain affected vehicles, the fuel return hose is comprised of a material that deteriorates when subjected to various chemicals and lubricants, such as those used when cleaning the vehicle or used in certain rear body applications. Normal vehicle operation and maintenance may cause the fuel return hose to swell and come off, resulting in a fuel leak. In the worst case, the fuel could ignite, resulting in an engine fire.

MODIFICATION:

The fuel return hose will be replaced with an improved hose.

PARTS LIST:

The replacement parts are available through normal parts channels.

Part Number	Description	Qty	Notes
LT144B01	FUEL RETURN LINE KIT	1	

PARTS PRICING ADJUSTMENT TABLE:

Part Number	Qty	Dealer Net	33% Mark Up	Recall Reimbursement
LT144B01	1	\$59.99	\$79.79	US\$79.79

RECALL CLAIM SUBMITTAL:

Claim labor via Fusonet using the Recall Claim Entry screen. Enter all requested information, including the Campaign Number. The system will apply the labor allowance and parts pricing adjustment shown.

Campaign Reimbursement					
Campaign Number	Models	Allowances		Labor Description	Part Number
C1008215	FEC52 FEC72 FEC92 FGB72	Labor Time	1.0 hour	Replace the fuel return hose	LT144B01
		Parts Pricing	US\$79.79		
C1008225	FEC72 (Crew Cab)	Labor Time	1.2 hours	Replace the fuel return hose	LT144B01
		Parts Pricing	US\$79.79		

REPAIR PROCEDURE:

1. Park the vehicle on a flat, level surface, turn off the engine and chock the wheels.

CAUTION!

Do not remove the wheel chocks until all modification work has been completed.

2. Replace the fuel return hose using the attached modification procedure.

Injector Fuel Return Line Replacement

WARNING

- Fuel is highly flammable. Do not handle it near flames or heat.
- Spilled fuel may catch fire and therefore, must be wiped off completely.

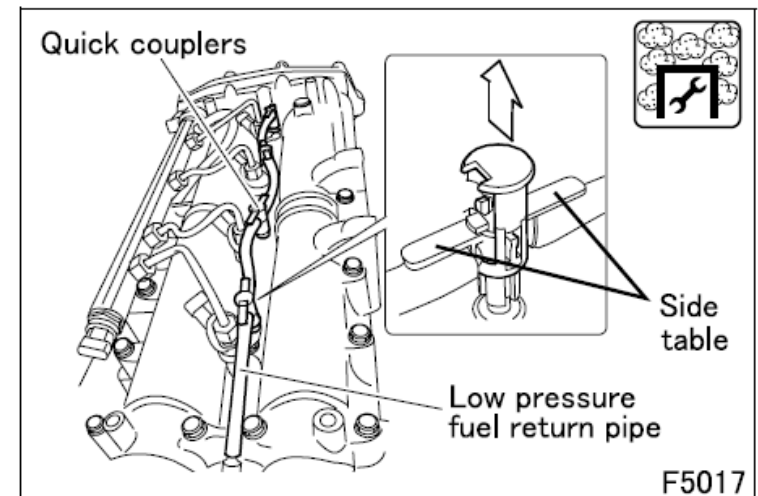
CAUTION

- Dirt and dust in the high pressure fuel pump can seriously reduce engine performance. To prevent this from happening, fully cover all opening after removing any pipes or hoses.
- The high pressure fuel pump is a non-disassembly component. When it has any problems, replace them.

When performing the modification procedure, remove the side cover, oil level gauge guide, and air intake duct.

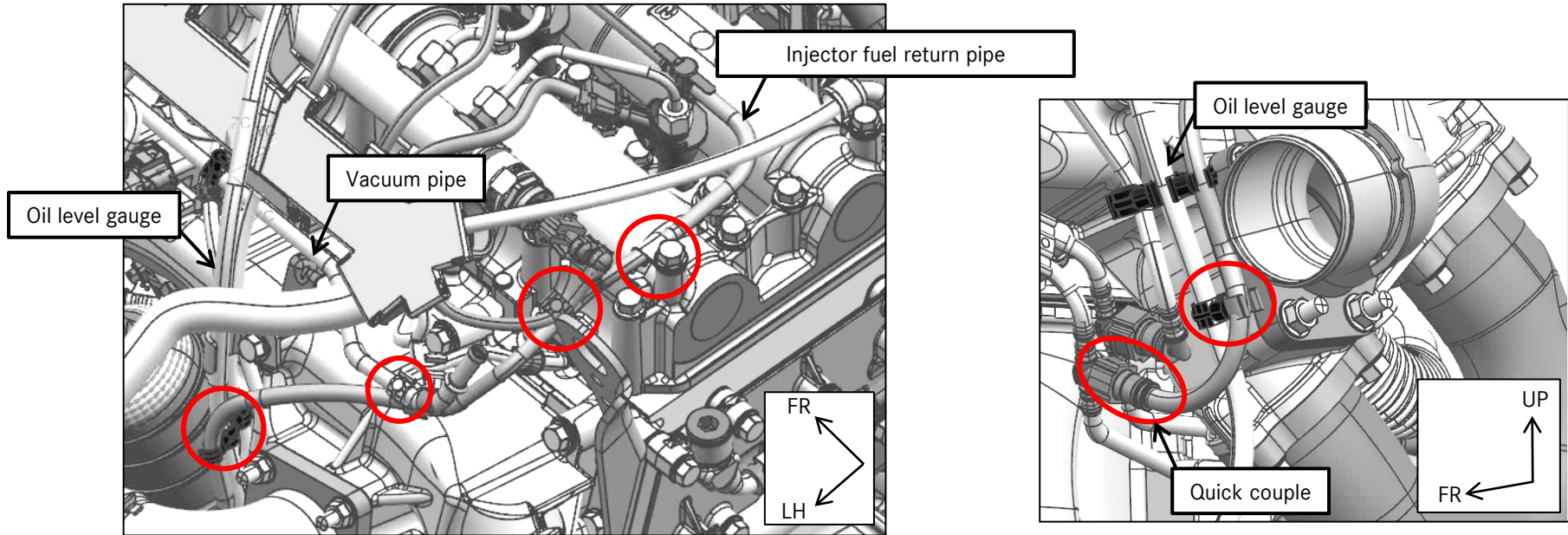
After the procedure is completed, use a new gasket when re-installing the oil level gauge guide.

- 1) Remove the injector fuel return line from the injectors by releasing the quick couplers. While holding the side table of quick coupler, pull up the central body as illustrated to remove the low pressure fuel return line.

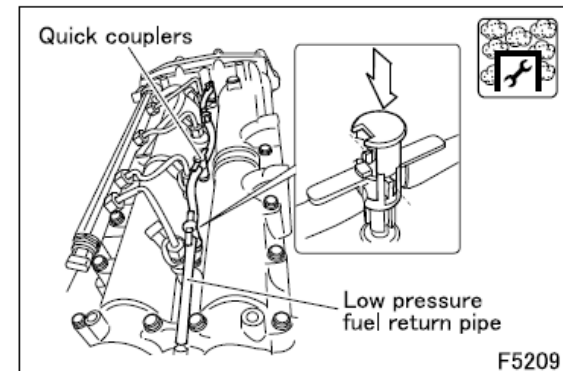


Injector Fuel Return Line Replacement

- 2) If the clamps & clips illustrated in the images below exist, then remove them from the fuel return line. The clips will be re-used, so leave them attached to the opposite component. Release the quick coupler behind the oil filter. The injector fuel return line can now be removed from the engine.

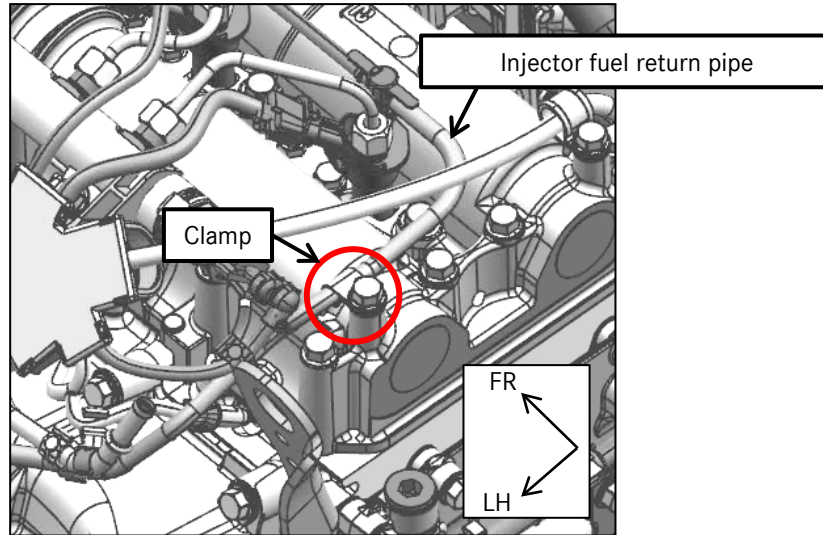


- 3) Install the new injector fuel return line to the injectors. Push the central body of the quick coupler as illustrated.

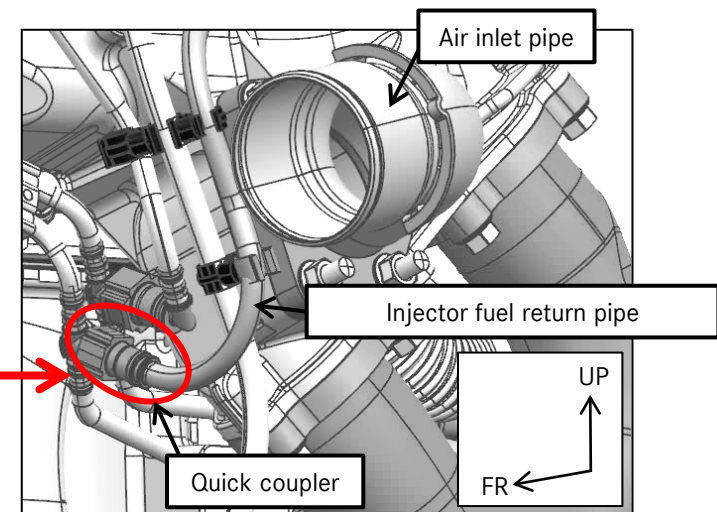


Injector Fuel Return Line Replacement

- 4) Secure the injector fuel return line using the illustrated clamp. (Tightening torque: 18.1 ft.lbs. [24.5 Nm])



- 5) Pass the hose between the air inlet pipe and oil filter as illustrated, and reattach the coupler detached in step 2. Reattach the clips from step 2 to the injector fuel return line.



Attention: Please re-check carefully whether the hose is connected completely (Quick coupler) by soft shaking.