

SAFETY RECALL

MACK Trucks Inc.
Greensboro, NC USA



Date	Number	Release	Page
05.2016	SC0398	04	1 (35)

This Safety Recall replaces recall, "SC0398, Brake Chamber, Replacement", dated (03.2016).

Brake Chamber, Replacement

GU

SAFETY RECALL INFORMATION:

(May 2016)

Some MACK GU trucks may experience an imbalance between the steer axle brakes and drive axle brakes. This condition may cause blown tires, and overheating of the front and/or rear brakes. Replacement of the front or rear brake chambers with the upgraded brake chambers listed in this recall will correct this condition. Follow the replacement procedures outlined in this Safety Recall.

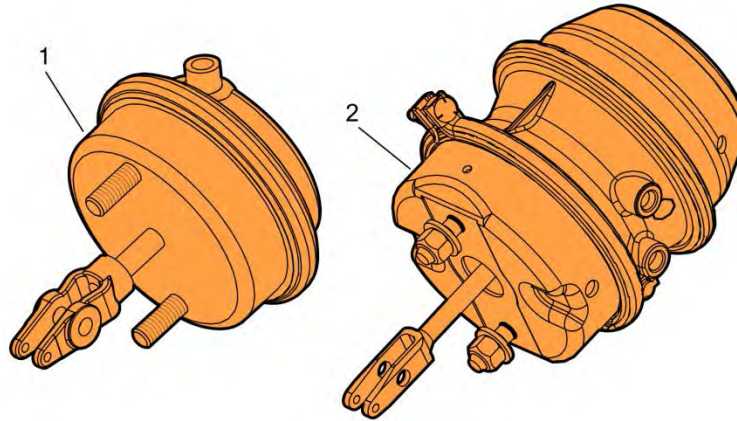
MACK Trucks has received no reports of personal injury as a result of this condition. Therefore, MACK considers this as a proactive measure to protect the public and MACK's customers from the potential risk associated with this defect.

VEHICLES AFFECTED:

Certain 2010 - 2015 MACK GU 4 X 2 model trucks manufactured from September 17, 2009 through July 31, 2015.

VEHICLE IDENTIFICATION NUMBERS (VIN):

The number of vehicles affected by this recall is 711 (679 USA, 1 Canada, and 31 Export).



Required Parts:

To schedule parts orders and repairs, please call (877) 986-5862 with the Vehicle Identification Number (VIN) of the vehicle in need of this repair.

BRAKE CHAMBER REPLACEMENT PARTS	
Item	Description
1	Brake Chamber (Steer Axle)
2	Brake Chamber (Drive Axle)

Brake Chamber Replacement Parts Per VIN List			
VIN Number	Part Number	Quantity	Brake Chamber Location
1M1AX17Y1CM001415	85143550	2	Front T30
1M1AX17YXCM001428	5396-GC3030CW	2	Rear T3030 Basic
1M2AX01C0CM001554	85143550	2	Front T30
1M2AX01C0CM001585	85143550	2	Front T30
1M2AX01C0EM001881	85143550	2	Front T30
1M2AX01C0FM002255	85143550	2	Front T30
1M2AX01C0GM002452	85143550	2	Front T30
1M2AX01C1BM001514	85143550	2	Front T30
1M2AX01C1CM001627	85143550	2	Front T30
1M2AX01C1DM001743	85143550	2	Front T30
1M2AX01C1DM001810	85143550	2	Front T30
1M2AX01C1EM001890	85143550	2	Front T30
1M2AX01C1EM002053	85143550	2	Front T30
1M2AX01C1EM002067	85143550	2	Front T30
1M2AX01C1FM002071	85143550	2	Front T30
1M2AX01C1FM002135	85143550	2	Front T30
1M2AX01C2AM001388	85143550	2	Front T30
1M2AX01C2DM001797	85143550	2	Front T30

VIN Number	Part Number	Quantity	Brake Chamber Location
1M2AX01C2FM002094	85143550	2	Front T30
1M2AX01C2FM002256	85143550	2	Front T30
1M2AX01C3DM001789	85143550	2	Front T30
1M2AX01C3EM002040	85143550	2	Front T30
1M2AX01C4AM001392	85143550	2	Front T30
1M2AX01C4CM001623	85143550	2	Front T30
1M2AX01C4DM001736	5554-3431951	2	Rear T3030 Basic
1M2AX01C4DM001753	85143550	2	Front T30
1M2AX01C4DM001798	85143550	2	Front T30
1M2AX01C5AM001451	85143550	2	Front T30
1M2AX01C5EM002041	85143550	2	Front T30
1M2AX01C5FM002252	85143550	2	Front T30
1M2AX01C6AM001393	5554-3431951	2	Rear T3030 Basic
1M2AX01C6BM001489	85143550	2	Front T30
1M2AX01C6CM001624	85143550	2	Front T30
1M2AX01C6DM001799	85143550	2	Front T30
1M2AX01C6EM002050	5554-3431951	2	Rear T3030 Basic
1M2AX01C6GM002312	85143550	2	Front T30
1M2AX01C7DM001794	85143550	2	Front T30
1M2AX01C7FM002236	85143550	2	Front T30
1M2AX01C7FM002253	85143550	2	Front T30
1M2AX01C8AM001394	85143550	2	Front T30
1M2AX01C8CM001558	85143550	2	Front T30
1M2AX01C8CM001642	85143550	2	Front T30
1M2AX01C8EM002065	85143550	2	Front T30
1M2AX01C8FM002083	85143550	2	Front T30
1M2AX01C8GM002313	85143550	2	Front T30
1M2AX01C9CM001598	85143550	2	Front T30
1M2AX01C9EM001913	85143550	2	Front T30
1M2AX01C9FM002237	85143550	2	Front T30
1M2AX01CXAM001395	85143550	2	Front T30
1M2AX01CXB001494	85143550	2	Front T30
1M2AX01CXDM001739	85143550	2	Front T30
1M2AX01CXDM001742	85143550	2	Front T30
1M2AX01CXEM002052	85143550	2	Front T30
1M2AX01CXFM002084	85143550	2	Front T30
1M2AX01CXFM002246	85143550	2	Front T30
1M2AX01CXGM002281	85143550	2	Front T30
1M2AX01CXGM002314	85143550	2	Front T30
1M2AX02C0AM001467	5396-GC3030CW	2	Rear T3030 Basic
1M2AX02C0BM001437	5396-GC3030CW	2	Rear T3030 Basic

VIN Number	Part Number	Quantity	Brake Chamber Location
1M2AX02C0BM001518	85143550	2	Front T30
1M2AX02C0CM001553	85143550	2	Front T30
1M2AX02C0CM001603	5554-3431951	2	Rear T3030 Basic
1M2AX02C0CM001620	5396-SC30LCW	2	Front T30
1M2AX02C0CM001634	5396-SC30LCW	2	Front T30
1M2AX02C0DM001652	85143550	2	Front T30
1M2AX02C0DM001716	85143550	2	Front T30
1M2AX02C0DM001733	85143550	2	Front T30
1M2AX02C0DM001764	85143550	2	Front T30
1M2AX02C0DM001778	85143550	2	Front T30
1M2AX02C0DM001781	85143550	2	Front T30
1M2AX02C0DM001800	5396-SC30LCW	2	Front T30
1M2AX02C0EM001927	85143550	2	Front T30
1M2AX02C0EM001930	85143550	2	Front T30
1M2AX02C0EM001944	85143550	2	Front T30
1M2AX02C0EM001958	85143550	2	Front T30
1M2AX02C0EM001961	85143550	2	Front T30
1M2AX02C0EM001975	85143550	2	Front T30
1M2AX02C0EM001989	85143550	2	Front T30
1M2AX02C0EM001992	85143550	2	Front T30
1M2AX02C0FM002013	85143550	2	Front T30
1M2AX02C0FM002027	85143550	2	Front T30
1M2AX02C0FM002030	85143550	2	Front T30
1M2AX02C0FM002139	85143550	2	Front T30
1M2AX02C0FM002142	85143550	2	Front T30
1M2AX02C0FM002156	85143550	2	Front T30
1M2AX02C0FM002173	85143550	2	Front T30
1M2AX02C0FM002187	85143550	2	Front T30
1M2AX02C0FM002190	85143550	2	Front T30
1M2AX02C0FM002206	85143550	2	Front T30
1M2AX02C0FM002240	5396-SC30LCW	2	Front T30
1M2AX02C0GM002286	85143550	2	Front T30
1M2AX02C0GM002319	5396-SC30LCW	2	Front T30
1M2AX02C0GM002322	5396-GC3030CW	2	Rear T3030 Basic
1M2AX02C0GM002336	85143550	2	Front T30
1M2AX02C0GM002420	85143550	2	Front T30
1M2AX02C1BM001513	85143550	2	Front T30
1M2AX02C1BM001527	85143550	2	Front T30
1M2AX02C1BM001530	85143550	2	Front T30
1M2AX02C1CM001545	85143550	2	Front T30
1M2AX02C1CM001593	85143550	2	Front T30
1M2AX02C1DM001725	85143550	2	Front T30
1M2AX02C1DM001773	85143550	2	Front T30

VIN Number	Part Number	Quantity	Brake Chamber Location
1M2AX02C1DM001806	5396-GC3030CW	2	Rear T3030 Basic
1M2AX02C1EM001872	85143550	2	Front T30
1M2AX02C1EM001936	85143550	2	Front T30
1M2AX02C1EM001953	85143550	2	Front T30
1M2AX02C1EM001967	85143550	2	Front T30
1M2AX02C1EM001970	85143550	2	Front T30
1M2AX02C1EM001984	85143550	2	Front T30
1M2AX02C1EM001998	85143550	2	Front T30
1M2AX02C1FM002005	85143550	2	Front T30
1M2AX02C1FM002019	85143550	2	Front T30
1M2AX02C1FM002022	85143550	2	Front T30
1M2AX02C1FM002117	85143550	2	Front T30
1M2AX02C1FM002120	85143550	2	Front T30
1M2AX02C1FM002148	85143550	2	Front T30
1M2AX02C1FM002151	85143550	2	Front T30
1M2AX02C1FM002165	85143550	2	Front T30
1M2AX02C1FM002179	85143550	2	Front T30
1M2AX02C1FM002182	85143550	2	Front T30
1M2AX02C1FM002196	85143550	2	Front T30
1M2AX02C1FM002201	85143550	2	Front T30
1M2AX02C1FM002215	85143550	2	Front T30
1M2AX02C1GM002264	85143550	2	Front T30
1M2AX02C1GM002328	85143550	2	Front T30
1M2AX02C1GM002331	85143550	2	Front T30
1M2AX02C1GM002345	85143550	2	Front T30
1M2AX02C1GM002457	85143550	2	Front T30
1M2AX02C2AM001440	85143550	2	Front T30
1M2AX02C2AM001468	5396-GC3030CW	2	Rear T3030 Basic
1M2AX02C2BM001438	5396-GC3030CW	2	Rear T3030 Basic
1M2AX02C2BM001472	85143550	2	Front T30
1M2AX02C2BM001536	85143550	2	Front T30
1M2AX02C2CM001540	85143550	2	Front T30
1M2AX02C2CM001604	85143550	2	Front T30
1M2AX02C2CM001621	85143550	2	Front T30
1M2AX02C2CM001635	5396-GC3030CW	2	Rear T3030 Basic
1M2AX02C2DM001653	85143550	2	Front T30
1M2AX02C2DM001670	85143550	2	Front T30
1M2AX02C2DM001717	85143550	2	Front T30
1M2AX02C2DM001734	85143550	2	Front T30
1M2AX02C2DM001748	5396-GC3030CW	2	Rear T3030 Basic
1M2AX02C2DM001765	85143550	2	Front T30
1M2AX02C2DM001779	85143550	2	Front T30
1M2AX02C2DM001782	85143550	2	Front T30

VIN Number	Part Number	Quantity	Brake Chamber Location
1M2AX02C2DM001801	5396-SC30LCW	2	Front T30
1M2AX02C2EM001914	85143550	2	Front T30
1M2AX02C2EM001928	85143550	2	Front T30
1M2AX02C2EM001931	85143550	2	Front T30
1M2AX02C2EM001945	85143550	2	Front T30
1M2AX02C2EM001959	85143550	2	Front T30
1M2AX02C2EM001962	85143550	2	Front T30
1M2AX02C2EM001976	85143550	2	Front T30
1M2AX02C2EM001993	85143550	2	Front T30
1M2AX02C2FM002014	85143550	2	Front T30
1M2AX02C2FM002028	85143550	2	Front T30
1M2AX02C2FM002031	85143550	2	Front T30
1M2AX02C2FM002157	85143550	2	Front T30
1M2AX02C2FM002160	85143550	2	Front T30
1M2AX02C2FM002174	85143550	2	Front T30
1M2AX02C2FM002188	85143550	2	Front T30
1M2AX02C2FM002191	85143550	2	Front T30
1M2AX02C2FM002207	85143550	2	Front T30
1M2AX02C2FM002210	85143550	2	Front T30
1M2AX02C2FM002238	85143550	2	Front T30
1M2AX02C2FM002241	85143550	2	Front T30
1M2AX02C2GM002323	85143550	2	Front T30
1M2AX02C2GM002337	85143550	2	Front T30
1M2AX02C2GM002340	85143550	2	Front T30
1M2AX02C2GM002354	85143550	2	Front T30
1M2AX02C3BM001433	5396-GC3030CW	2	Rear T3030 Basic
1M2AX02C3BM001495	85143550	2	Front T30
1M2AX02C3BM001528	85143550	2	Front T30
1M2AX02C3CM001546	85143550	2	Front T30
1M2AX02C3CM001594	85143550	2	Front T30
1M2AX02C3CM001613	85143550	2	Front T30
1M2AX02C3DM001757	85143550	2	Front T30
1M2AX02C3DM001760	85143550	2	Front T30
1M2AX02C3DM001774	85143550	2	Front T30
1M2AX02C3DM001807	5396-GC3030CW	2	Rear T3030 Basic
1M2AX02C3EM001887	5554-3431951	2	Rear T3030 Basic
1M2AX02C3EM001923	85143550	2	Front T30
1M2AX02C3EM001937	85143550	2	Front T30
1M2AX02C3EM001940	85143550	2	Front T30
1M2AX02C3EM001954	85143550	2	Front T30
1M2AX02C3EM001968	85143550	2	Front T30
1M2AX02C3EM001971	85143550	2	Front T30
1M2AX02C3EM001985	85143550	2	Front T30

VIN Number	Part Number	Quantity	Brake Chamber Location
1M2AX02C3EM001999	85143550	2	Front T30
1M2AX02C3EM002036	85143550	2	Front T30
1M2AX02C3FM002006	85143550	2	Front T30
1M2AX02C3FM002023	85143550	2	Front T30
1M2AX02C3FM002118	85143550	2	Front T30
1M2AX02C3FM002121	85143550	2	Front T30
1M2AX02C3FM002149	85143550	2	Front T30
1M2AX02C3FM002152	85143550	2	Front T30
1M2AX02C3FM002166	85143550	2	Front T30
1M2AX02C3FM002183	85143550	2	Front T30
1M2AX02C3FM002197	85143550	2	Front T30
1M2AX02C3FM002202	85143550	2	Front T30
1M2AX02C3FM002216	85143550	2	Front T30
1M2AX02C3FM002247	85143550	2	Front T30
1M2AX02C3FM002250	85143550	2	Front T30
1M2AX02C3GM002265	85143550	2	Front T30
1M2AX02C3GM002279	85143550	2	Front T30
1M2AX02C3GM002329	85143550	2	Front T30
1M2AX02C3GM002332	85143550	2	Front T30
1M2AX02C3GM002346	85143550	2	Front T30
1M2AX02C3GM002458	85143550	2	Front T30
1M2AX02C3GM002461	5396-SC30LCW	2	Front T30
1M2AX02C4AM001441	85143550	2	Front T30
1M2AX02C4AM001469	5396-GC3030CW	2	Rear T3030 Basic
1M2AX02C4BM001537	85143550	2	Front T30
1M2AX02C4CM001541	85143550	2	Front T30
1M2AX02C4CM001569	5396-GC3030CW	2	Rear T3030 Basic
1M2AX02C4CM001605	85143550	2	Front T30
1M2AX02C4CM001619	5396-SC30LCW	2	Front T30
1M2AX02C4CM001622	85143550	2	Front T30
1M2AX02C4CM001636	5396-GC3030CW	2	Rear T3030 Basic
1M2AX02C4DM001654	85143550	2	Front T30
1M2AX02C4DM001671	85143550	2	Front T30
1M2AX02C4DM001735	85143550	2	Front T30
1M2AX02C4DM001749	85143550	2	Front T30
1M2AX02C4DM001766	85143550	2	Front T30
1M2AX02C4DM001783	85143550	2	Front T30
1M2AX02C4EM001834	85143550	2	Front T30
1M2AX02C4EM001915	85143550	2	Front T30
1M2AX02C4EM001929	85143550	2	Front T30
1M2AX02C4EM001932	85143550	2	Front T30
1M2AX02C4EM001946	85143550	2	Front T30
1M2AX02C4EM001963	85143550	2	Front T30

VIN Number	Part Number	Quantity	Brake Chamber Location
1M2AX02C4EM001977	85143550	2	Front T30
1M2AX02C4EM001980	85143550	2	Front T30
1M2AX02C4EM001994	85143550	2	Front T30
1M2AX02C4EM002000	85143550	2	Front T30
1M2AX02C4EM002062	5396-SC30LCW	2	Front T30
1M2AX02C4FM002015	85143550	2	Front T30
1M2AX02C4FM002029	85143550	2	Front T30
1M2AX02C4FM002032	85143550	2	Front T30
1M2AX02C4FM002077	5396-SC30LCW	2	Front T30
1M2AX02C4FM002127	85143550	2	Front T30
1M2AX02C4FM002130	85143550	2	Front T30
1M2AX02C4FM002144	85143550	2	Front T30
1M2AX02C4FM002158	85143550	2	Front T30
1M2AX02C4FM002161	85143550	2	Front T30
1M2AX02C4FM002175	85143550	2	Front T30
1M2AX02C4FM002189	85143550	2	Front T30
1M2AX02C4FM002192	85143550	2	Front T30
1M2AX02C4FM002208	85143550	2	Front T30
1M2AX02C4FM002211	85143550	2	Front T30
1M2AX02C4FM002225	85143550	2	Front T30
1M2AX02C4FM002239	5396-SC30LCW	2	Front T30
1M2AX02C4FM002242	85143550	2	Front T30
1M2AX02C4GM002260	85143550	2	Front T30
1M2AX02C4GM002324	85143550	2	Front T30
1M2AX02C4GM002338	85143550	2	Front T30
1M2AX02C4GM002341	85143550	2	Front T30
1M2AX02C4GM002355	85143550	2	Front T30
1M2AX02C4GM002419	85143550	2	Front T30
1M2AX02C5AM001383	85143550	2	Front T30
1M2AX02C5AM001464	85143550	2	Front T30
1M2AX02C5BM001434	5396-GC3030CW	2	Rear T3030 Basic
1M2AX02C5BM001496	85143550	2	Front T30
1M2AX02C5BM001529	5396-GC3030CW	2	Rear T3030 Basic
1M2AX02C5CM001547	85143550	2	Front T30
1M2AX02C5CM001550	85143550	2	Front T30
1M2AX02C5CM001600	5396-GC3030CW	2	Rear T3030 Basic
1M2AX02C5DM001680	85143550	2	Front T30
1M2AX02C5DM001744	5396-SC30LCW	2	Front T30
1M2AX02C5DM001758	85143550	2	Front T30
1M2AX02C5DM001761	85143550	2	Front T30
1M2AX02C5DM001775	85143550	2	Front T30
1M2AX02C5DM001792	5396-SC30LCW	2	Front T30
1M2AX02C5EM001874	5396-SC30LCW	2	Front T30

VIN Number	Part Number	Quantity	Brake Chamber Location
1M2AX02C5EM001888	85143550	2	Front T30
1M2AX02C5EM001907	5396-SC30LCW	2	Front T30
1M2AX02C5EM001910	5396-GC3030CW	2	Rear T3030 Basic
1M2AX02C5EM001924	5396-SC30LCW	2	Front T30
1M2AX02C5EM001938	85143550	2	Front T30
1M2AX02C5EM001941	85143550	2	Front T30
1M2AX02C5EM001955	85143550	2	Front T30
1M2AX02C5EM001969	85143550	2	Front T30
1M2AX02C5EM001972	85143550	2	Front T30
1M2AX02C5EM001986	85143550	2	Front T30
1M2AX02C5EM002037	85143550	2	Front T30
1M2AX02C5FM002007	85143550	2	Front T30
1M2AX02C5FM002010	85143550	2	Front T30
1M2AX02C5FM002024	85143550	2	Front T30
1M2AX02C5FM002086	85143550	2	Front T30
1M2AX02C5FM002119	85143550	2	Front T30
1M2AX02C5FM002122	85143550	2	Front T30
1M2AX02C5FM002153	85143550	2	Front T30
1M2AX02C5FM002167	85143550	2	Front T30
1M2AX02C5FM002170	85143550	2	Front T30
1M2AX02C5FM002184	85143550	2	Front T30
1M2AX02C5FM002198	85143550	2	Front T30
1M2AX02C5FM002203	85143550	2	Front T30
1M2AX02C5FM002217	85143550	2	Front T30
1M2AX02C5FM002248	85143550	2	Front T30
1M2AX02C5GM002316	85143550	2	Front T30
1M2AX02C5GM002333	85143550	2	Front T30
1M2AX02C5GM002445	85143550	2	Front T30
1M2AX02C5GM002462	5396-SC30LCW	2	Front T30
1M2AX02C6AM001439	85143550	2	Front T30
1M2AX02C6BM001474	85143550	2	Front T30
1M2AX02C6BM001491	85143550	2	Front T30
1M2AX02C6BM001538	85143550	2	Front T30
1M2AX02C6CM001539	85143550	2	Front T30
1M2AX02C6CM001542	85143550	2	Front T30
1M2AX02C6CM001556	85143550	2	Front T30
1M2AX02C6CM001587	85143550	2	Front T30
1M2AX02C6CM001590	85143550	2	Front T30
1M2AX02C6CM001606	85143550	2	Front T30
1M2AX02C6CM001637	85143550	2	Front T30
1M2AX02C6CM001640	5396-SC30LCW	2	Front T30
1M2AX02C6DM001655	85143550	2	Front T30
1M2AX02C6DM001669	85143550	2	Front T30

VIN Number	Part Number	Quantity	Brake Chamber Location
1M2AX02C6DM001672	85143550	2	Front T30
1M2AX02C6DM001767	85143550	2	Front T30
1M2AX02C6DM001770	85143550	2	Front T30
1M2AX02C6DM001803	5554-3431951	2	Rear T3030 Basic
1M2AX02C6EM001821	5396-SC30LCW	2	Front T30
1M2AX02C6EM001916	85143550	2	Front T30
1M2AX02C6EM001933	85143550	2	Front T30
1M2AX02C6EM001947	85143550	2	Front T30
1M2AX02C6EM001950	85143550	2	Front T30
1M2AX02C6EM001964	85143550	2	Front T30
1M2AX02C6EM001978	85143550	2	Front T30
1M2AX02C6EM001981	85143550	2	Front T30
1M2AX02C6EM001995	85143550	2	Front T30
1M2AX02C6EM002001	85143550	2	Front T30
1M2AX02C6EM002046	5396-GC3030CW	2	Rear T3030 Basic
1M2AX02C6FM002016	85143550	2	Front T30
1M2AX02C6FM002033	85143550	2	Front T30
1M2AX02C6FM002078	5396-SC30LCW	2	Front T30
1M2AX02C6FM002131	85143550	2	Front T30
1M2AX02C6FM002145	5554-3431951	2	Rear T3030 Basic
1M2AX02C6FM002159	85143550	2	Front T30
1M2AX02C6FM002162	85143550	2	Front T30
1M2AX02C6FM002176	85143550	2	Front T30
1M2AX02C6FM002193	85143550	2	Front T30
1M2AX02C6FM002209	85143550	2	Front T30
1M2AX02C6FM002212	85143550	2	Front T30
1M2AX02C6FM002243	85143550	2	Front T30
1M2AX02C6GM002261	85143550	2	Front T30
1M2AX02C6GM002325	5554-3431951	2	Rear T3030 Basic
1M2AX02C6GM002339	85143550	2	Front T30
1M2AX02C6GM002356	85143550	2	Front T30
1M2AX02C7BM001435	5396-GC3030CW	2	Rear T3030 Basic
1M2AX02C7BM001449	5396-GC3030CW	2	Rear T3030 Basic
1M2AX02C7BM001483	5396-GC3030CW	2	Rear T3030 Basic
1M2AX02C7CM001548	85143550	2	Front T30
1M2AX02C7CM001551	85143550	2	Front T30
1M2AX02C7CM001596	5396-GC3030CW	2	Rear T3030 Basic
1M2AX02C7CM001615	85143550	2	Front T30
1M2AX02C7CM001632	5396-SC30LCW	2	Front T30
1M2AX02C7DM001681	85143550	2	Front T30
1M2AX02C7DM001714	85143550	2	Front T30
1M2AX02C7DM001731	85143550	2	Front T30
1M2AX02C7DM001762	85143550	2	Front T30

VIN Number	Part Number	Quantity	Brake Chamber Location
1M2AX02C7DM001776	85143550	2	Front T30
1M2AX02C7DM001809	85143550	2	Front T30
1M2AX02C7EM001875	5396-SC30LCW	2	Front T30
1M2AX02C7EM001889	85143550	2	Front T30
1M2AX02C7EM001908	5396-SC30LCW	2	Front T30
1M2AX02C7EM001911	5396-SC30LCW	2	Front T30
1M2AX02C7EM001939	85143550	2	Front T30
1M2AX02C7EM001942	85143550	2	Front T30
1M2AX02C7EM001956	85143550	2	Front T30
1M2AX02C7EM001973	85143550	2	Front T30
1M2AX02C7EM001987	85143550	2	Front T30
1M2AX02C7EM001990	85143550	2	Front T30
1M2AX02C7EM002038	85143550	2	Front T30
1M2AX02C7FM002008	85143550	2	Front T30
1M2AX02C7FM002011	85143550	2	Front T30
1M2AX02C7FM002025	85143550	2	Front T30
1M2AX02C7FM002087	85143550	2	Front T30
1M2AX02C7FM002123	85143550	2	Front T30
1M2AX02C7FM002154	85143550	2	Front T30
1M2AX02C7FM002168	85143550	2	Front T30
1M2AX02C7FM002171	85143550	2	Front T30
1M2AX02C7FM002185	85143550	2	Front T30
1M2AX02C7FM002199	85143550	2	Front T30
1M2AX02C7FM002204	85143550	2	Front T30
1M2AX02C7FM002218	85143550	2	Front T30
1M2AX02C7FM002235	5396-SC30LCW	2	Front T30
1M2AX02C7FM002249	85143550	2	Front T30
1M2AX02C7GM002334	85143550	2	Front T30
1M2AX02C8AM001426	5396-GC3030CW	2	Rear T3030 Basic
1M2AX02C8AM001443	5396-SC30LCW	2	Front T30
1M2AX02C8BM001427	5396-GC3030CW	2	Rear T3030 Basic
1M2AX02C8BM001525	85143550	2	Front T30
1M2AX02C8CM001543	85143550	2	Front T30
1M2AX02C8CM001588	85143550	2	Front T30
1M2AX02C8CM001607	85143550	2	Front T30
1M2AX02C8CM001638	85143550	2	Front T30
1M2AX02C8DM001656	85143550	2	Front T30
1M2AX02C8DM001754	85143550	2	Front T30
1M2AX02C8DM001768	85143550	2	Front T30
1M2AX02C8DM001771	85143550	2	Front T30
1M2AX02C8EM001884	85143550	2	Front T30
1M2AX02C8EM001917	85143550	2	Front T30
1M2AX02C8EM001934	85143550	2	Front T30

VIN Number	Part Number	Quantity	Brake Chamber Location
1M2AX02C8EM001948	85143550	2	Front T30
1M2AX02C8EM001951	85143550	2	Front T30
1M2AX02C8EM001965	85143550	2	Front T30
1M2AX02C8EM001979	85143550	2	Front T30
1M2AX02C8EM001982	85143550	2	Front T30
1M2AX02C8EM001996	85143550	2	Front T30
1M2AX02C8EM002002	85143550	2	Front T30
1M2AX02C8FM002017	85143550	2	Front T30
1M2AX02C8FM002020	85143550	2	Front T30
1M2AX02C8FM002034	85143550	2	Front T30
1M2AX02C8FM002051	85143550	2	Front T30
1M2AX02C8FM002082	85143550	2	Front T30
1M2AX02C8FM002101	85143550	2	Front T30
1M2AX02C8FM002132	85143550	2	Front T30
1M2AX02C8FM002163	85143550	2	Front T30
1M2AX02C8FM002177	85143550	2	Front T30
1M2AX02C8FM002180	85143550	2	Front T30
1M2AX02C8FM002194	85143550	2	Front T30
1M2AX02C8FM002213	85143550	2	Front T30
1M2AX02C8FM002230	5396-SC30LCW	2	Front T30
1M2AX02C8GM002259	85143550	2	Front T30
1M2AX02C8GM002262	85143550	2	Front T30
1M2AX02C8GM002276	85143550	2	Front T30
1M2AX02C8GM002357	85143550	2	Front T30
1M2AX02C9AM001466	5396-GC3030CW	2	Rear T3030 Basic
1M2AX02C9BM001436	5396-GC3030CW	2	Rear T3030 Basic
1M2AX02C9CM001552	85143550	2	Front T30
1M2AX02C9CM001616	85143550	2	Front T30
1M2AX02C9CM001633	5396-SC30LCW	2	Front T30
1M2AX02C9DM001679	85143550	2	Front T30
1M2AX02C9DM001715	5554-3431951	2	Rear T3030 Basic
1M2AX02C9DM001732	85143550	2	Front T30
1M2AX02C9DM001763	85143550	2	Front T30
1M2AX02C9DM001777	85143550	2	Front T30
1M2AX02C9DM001780	85143550	2	Front T30
1M2AX02C9EM001814	85143550	2	Front T30
1M2AX02C9EM001909	85143550	2	Front T30
1M2AX02C9EM001912	5396-SC30LCW	2	Front T30
1M2AX02C9EM001926	85143550	2	Front T30
1M2AX02C9EM001943	85143550	2	Front T30
1M2AX02C9EM001957	85143550	2	Front T30
1M2AX02C9EM001960	85143550	2	Front T30
1M2AX02C9EM001974	85143550	2	Front T30

VIN Number	Part Number	Quantity	Brake Chamber Location
1M2AX02C9EM001988	85143550	2	Front T30
1M2AX02C9EM001991	85143550	2	Front T30
1M2AX02C9EM002039	85143550	2	Front T30
1M2AX02C9EM002042	85143550	2	Front T30
1M2AX02C9FM002009	85143550	2	Front T30
1M2AX02C9FM002012	85143550	2	Front T30
1M2AX02C9FM002026	85143550	2	Front T30
1M2AX02C9FM002088	85143550	2	Front T30
1M2AX02C9FM002110	85143550	2	Front T30
1M2AX02C9FM002124	85143550	2	Front T30
1M2AX02C9FM002155	85143550	2	Front T30
1M2AX02C9FM002169	85143550	2	Front T30
1M2AX02C9FM002172	85143550	2	Front T30
1M2AX02C9FM002186	85143550	2	Front T30
1M2AX02C9FM002205	85143550	2	Front T30
1M2AX02C9FM002219	5554-3431951	2	Rear T3030 Basic
1M2AX02C9GM002335	85143550	2	Front T30
1M2AX02C9GM002447	5554-3431951	2	Rear T3030 Basic
1M2AX02CXBM001428	5396-GC3030CW	2	Rear T3030 Basic
1M2AX02CXCM001544	85143550	2	Front T30
1M2AX02CXCM001589	85143550	2	Front T30
1M2AX02CXCM001592	85143550	2	Front T30
1M2AX02CXCM001639	85143550	2	Front T30
1M2AX02CXDM001724	85143550	2	Front T30
1M2AX02CXDM001755	85143550	2	Front T30
1M2AX02CXDM001769	85143550	2	Front T30
1M2AX02CXDM001772	85143550	2	Front T30
1M2AX02CXEM001837	85143550	2	Front T30
1M2AX02CXEM001935	85143550	2	Front T30
1M2AX02CXEM001949	85143550	2	Front T30
1M2AX02CXEM001952	85143550	2	Front T30
1M2AX02CXEM001966	85143550	2	Front T30
1M2AX02CXEM001983	85143550	2	Front T30
1M2AX02CXEM001997	85143550	2	Front T30
1M2AX02CXEM002003	85143550	2	Front T30
1M2AX02CXFM002004	85143550	2	Front T30
1M2AX02CXFM002018	85143550	2	Front T30
1M2AX02CXFM002021	85143550	2	Front T30
1M2AX02CXFM002035	85143550	2	Front T30
1M2AX02CXFM002133	85143550	2	Front T30
1M2AX02CXFM002147	85143550	2	Front T30
1M2AX02CXFM002150	85143550	2	Front T30
1M2AX02CXFM002164	85143550	2	Front T30

VIN Number	Part Number	Quantity	Brake Chamber Location
1M2AX02CXFM002178	85143550	2	Front T30
1M2AX02CXFM002181	85143550	2	Front T30
1M2AX02CXFM002195	85143550	2	Front T30
1M2AX02CXFM002200	85143550	2	Front T30
1M2AX02CXFM002214	85143550	2	Front T30
1M2AX02CXGM002263	85143550	2	Front T30
1M2AX02CXGM002327	85143550	2	Front T30
1M2AX02CXGM002330	85143550	2	Front T30
1M2AX02CXGM002358	85143550	2	Front T30
1M2AX06C8BM001521	5396-GC3030CW	2	Rear T3030 Basic
1M2AX06CXBM001522	5396-GC3030CW	2	Rear T3030 Basic
1M2AX06CXFM002109	5396-GC3030CW	2	Rear T3030 Basic
1M2AX08C0BM001526	5554-3431951	2	Rear T3030 Basic
1M2AX08C0DM001643	5396-SC30LCW	2	Front T30
1M2AX08C0DM001805	85143550	2	Front T30
1M2AX08C0FM002097	5396-SC30LCW	2	Front T30
1M2AX08C1EM001880	5396-SC30LCW	2	Front T30
1M2AX08C1FM002254	5554-3431951	2	Rear T3030 Basic
1M2AX08C2GM002460	85143550	2	Front T30
1M2AX08C4CM001658	5554-3431951	2	Rear T3030 Basic
1M2AX08C5DM001718	5396-SC30LCW	2	Front T30
1M2AX08C5EM001882	85143550	2	Front T30
1M2AX08C5EM002059	85143550	2	Front T30
1M2AX08C6CM001614	85143550	2	Front T30
1M2AX08C6FM002072	85143550	2	Front T30
1M2AX08C6FM002136	85143550	2	Front T30
1M2AX08C7BM001488	85143550	2	Front T30
1M2AX08C7DM001784	5396-SC30LCW	2	Front T30
1M2AX08C7FM002114	5554-3431951	2	Rear T3030 Basic
1M2AX08C8FM002137	85143550	2	Front T30
1M2AX08C9CM001641	5554-3431951	2	Rear T3030 Basic
1M2AX08C9DM001785	5396-SC30LCW	2	Front T30
1M2AX08C9FM002115	85143550	2	Front T30
1M2AX08C9FM002244	85143550	2	Front T30
1M2AX10C0EM001502	5396-GC3030CW	2	Rear T3030 Basic
1M2AX10C0FM001565	85143550	2	Front T30
1M2AX10C0FM001579	85143550	2	Front T30
1M2AX10C0FM001582	85143550	2	Front T30
1M2AX10C1CM001411	5554-3431951	2	Rear T3030 Basic
1M2AX10C1CM001425	5396-GC3030CW	2	Rear T3030 Basic
1M2AX10C1FM001557	85143550	2	Front T30
1M2AX10C1FM001560	85143550	2	Front T30
1M2AX10C1FM001574	85143550	2	Front T30

VIN Number	Part Number	Quantity	Brake Chamber Location
1M2AX10C2EM001503	5396-GC3030CW	2	Rear T3030 Basic
1M2AX10C2FM001552	85143550	2	Front T30
1M2AX10C2FM001566	85143550	2	Front T30
1M2AX10C2FM001583	85143550	2	Front T30
1M2AX10C3BM001375	85143550	2	Front T30
1M2AX10C3CM001426	5396-GC3030CW	2	Rear T3030 Basic
1M2AX10C3FM001558	85143550	2	Front T30
1M2AX10C3FM001561	85143550	2	Front T30
1M2AX10C3FM001575	85143550	2	Front T30
1M2AX10C3FM001589	85143550	2	Front T30
1M2AX10C4CM001404	5396-GC3030CW	2	Rear T3030 Basic
1M2AX10C4EM001504	5396-GC3030CW	2	Rear T3030 Basic
1M2AX10C4FM001553	85143550	2	Front T30
1M2AX10C4FM001567	85143550	2	Front T30
1M2AX10C4FM001570	85143550	2	Front T30
1M2AX10C5FM001559	85143550	2	Front T30
1M2AX10C5FM001562	85143550	2	Front T30
1M2AX10C5FM001576	85143550	2	Front T30
1M2AX10C6AM001322	85143550	2	Front T30
1M2AX10C6CM001405	5396-GC3030CW	2	Rear T3030 Basic
1M2AX10C6EM001505	5396-GC3030CW	2	Rear T3030 Basic
1M2AX10C6FM001554	85143550	2	Front T30
1M2AX10C6FM001568	85143550	2	Front T30
1M2AX10C6FM001571	85143550	2	Front T30
1M2AX10C7CM001431	5554-3431951	2	Rear T3030 Basic
1M2AX10C7EM001500	5396-GC3030CW	2	Rear T3030 Basic
1M2AX10C7FM001563	85143550	2	Front T30
1M2AX10C7FM001577	85143550	2	Front T30
1M2AX10C7FM001580	85143550	2	Front T30
1M2AX10C8AM001323	85143550	2	Front T30
1M2AX10C8CM001406	5396-GC3030CW	2	Rear T3030 Basic
1M2AX10C8FM001555	85143550	2	Front T30
1M2AX10C8FM001569	85143550	2	Front T30
1M2AX10C8FM001572	85143550	2	Front T30
1M2AX10C9BM001395	85143550	2	Front T30
1M2AX10C9EM001501	5396-GC3030CW	2	Rear T3030 Basic
1M2AX10C9FM001564	85143550	2	Front T30
1M2AX10C9FM001578	85143550	2	Front T30
1M2AX10C9FM001581	85143550	2	Front T30
1M2AX10CXAM001324	85143550	2	Front T30
1M2AX10CXAM001355	5396-GC3030CW	2	Rear T3030 Basic
1M2AX10CXFM001556	85143550	2	Front T30
1M2AX10CXFM001573	85143550	2	Front T30

VIN Number	Part Number	Quantity	Brake Chamber Location
1M2AX11C0EM001479	5554-3431951	2	Rear T3030 Basic
1M2AX11C0EM001496	5554-3431951	2	Rear T3030 Basic
1M2AX11C1CM001407	5396-GC3030CW	2	Rear T3030 Basic
1M2AX11C1DM001456	5396-GC3030CW	2	Rear T3030 Basic
1M2AX11C1DM001473	5396-SC30LCW	2	Front T30
1M2AX11C2CM001416	5554-3431951	2	Rear T3030 Basic
1M2AX11C2EM001497	5554-3431951	2	Rear T3030 Basic
1M2AX11C3CM001408	5396-GC3030CW	2	Rear T3030 Basic
1M2AX11C3DM001457	5396-GC3030CW	2	Rear T3030 Basic
1M2AX11C3EM001492	5396-GC3030CW	2	Rear T3030 Basic
1M2AX11C4CM001417	5554-3431951	2	Rear T3030 Basic
1M2AX11C4CM001420	5554-3431951	2	Rear T3030 Basic
1M2AX11C4EM001498	5554-3431951	2	Rear T3030 Basic
1M2AX11C4FM001597	5396-GC3030CW	2	Rear T3030 Basic
1M2AX11C5BM001392	85143550	2	Front T30
1M2AX11C5EM001526	5396-SC30LCW	2	Front T30
1M2AX11C6CM001418	5554-3431951	2	Rear T3030 Basic
1M2AX11C6CM001421	5554-3431951	2	Rear T3030 Basic
1M2AX11C6FM001584	5396-SC30LCW	2	Front T30
1M2AX11C7BM001393	5554-3431951	2	Rear T3030 Basic
1M2AX11C7CM001427	5396-GC3030CW	2	Rear T3030 Basic
1M2AX11C7EM001477	5554-3431951	2	Rear T3030 Basic
1M2AX11C7EM001480	5554-3431951	2	Rear T3030 Basic
1M2AX11C7EM001494	5554-3431951	2	Rear T3030 Basic
1M2AX11C7EM001527	5396-SC30LCW	2	Front T30
1M2AX11C8CM001419	5554-3431951	2	Rear T3030 Basic
1M2AX11C8CM001422	5554-3431951	2	Rear T3030 Basic
1M2AX11C9CM001414	5396-GC3030CW	2	Rear T3030 Basic
1M2AX11C9EM001478	5554-3431951	2	Rear T3030 Basic
1M2AX11C9EM001481	5554-3431951	2	Rear T3030 Basic
1M2AX11C9EM001495	5554-3431951	2	Rear T3030 Basic
1M2AX11CXCM001423	5554-3431951	2	Rear T3030 Basic
1M2AX11CXDM001472	5396-SC30LCW	2	Front T30
1M2AX15C9FM001606	5396-SC30LCW	2	Front T30
1M2AX17C0BM001386	85143550	2	Front T30
1M2AX17C0DM001469	85143550	2	Front T30
1M2AX17C1BM001378	85143550	2	Front T30
1M2AX17C1BM001381	85143550	2	Front T30
1M2AX17C1EM001515	85143550	2	Front T30
1M2AX17C1FM001600	85143550	2	Front T30
1M2AX17C2BM001373	5554-3431951	2	Rear T3030 Basic
1M2AX17C2BM001387	85143550	2	Front T30
1M2AX17C3BM001379	85143550	2	Front T30

VIN Number	Part Number	Quantity	Brake Chamber Location
1M2AX17C3BM001382	85143550	2	Front T30
1M2AX17C3EM001516	85143550	2	Front T30
1M2AX17C3EM001533	85143550 & 21930736	2 each	Front T30 & Wheels
1M2AX17C3FM001601	85143550	2	Front T30
1M2AX17C4BM001388	85143550	2	Front T30
1M2AX17C4BM001391	85143550	2	Front T30
1M2AX17C4EM001508	85143550	2	Front T30
1M2AX17C4EM001511	85143550	2	Front T30
1M2AX17C4FM001543	85143550	2	Front T30
1M2AX17C4FM001588	5396-GC3030CW	2	Rear T3030 Basic
1M2AX17C4FM001610	85143550	2	Front T30
1M2AX17C5BM001383	85143550	2	Front T30
1M2AX17C5EM001517	85143550	2	Front T30
1M2AX17C5EM001520	85143550	2	Front T30
1M2AX17C5FM001602	85143550	2	Front T30
1M2AX17C6BM001389	85143550	2	Front T30
1M2AX17C6EM001512	85143550	2	Front T30
1M2AX17C6FM001544	85143550	2	Front T30
1M2AX17C7BM001384	85143550	2	Front T30
1M2AX17C7DM001470	85143550	2	Front T30
1M2AX17C7EM001499	85143550	2	Front T30
1M2AX17C7EM001518	85143550	2	Front T30
1M2AX17C8BM001376	85143550	2	Front T30
1M2AX17C8EM001513	85143550	2	Front T30
1M2AX17C8FM001609	85143550	2	Front T30
1M2AX17C8FM001612	85143550	2	Front T30
1M2AX17C9BM001385	85143550	2	Front T30
1M2AX17C9DM001468	85143550	2	Front T30
1M2AX17C9EM001519	85143550	2	Front T30
1M2AX17C9FM001599	85143550	2	Front T30
1M2AX17C9FM001604	85143550	2	Front T30
1M2AX17CXBM001377	85143550	2	Front T30
1M2AX17CXBM001380	85143550	2	Front T30
1M2AX17CXBM001394	85143550	2	Front T30
1M2AX17CXEM001514	85143550	2	Front T30
1M2AX17CXFM001613	85143550	2	Front T30
1M2AX28C1DM001646	5396-SC30LCW	2	Front T30
1M2AX28C2EM002063	85143550	2	Front T30
1M2AX28C3DM001647	5396-SC30LCW	2	Front T30
1M2AX28C3DM001650	5396-SC30LCW	2	Front T30
1M2AX28C3EM001925	85143550	2	Front T30
1M2AX28C3GM002303	85143550	2	Front T30
1M2AX28C5DM001648	5396-SC30LCW	2	Front T30

VIN Number	Part Number	Quantity	Brake Chamber Location
1M2AX28C5DM001651	5396-SC30LCW	2	Front T30
1M2AX28C5GM002304	85143550	2	Front T30
1M2AX28C7DM001649	5396-SC30LCW	2	Front T30
1M2AX28C7GM002305	85143550	2	Front T30
1M2AX28C8DM001644	5396-SC30LCW	2	Front T30
1M2AX28C9FM002143	85143550	2	Front T30
1M2AX28CXDM001645	5396-SC30LCW	2	Front T30
1M2AX30C1FM001540	5554-3431951	2	Rear T3030 Basic
1M2AX34B9FM010147	5554-3431951	2	Rear T3030 Basic
1M2AX34C0FM010126	85143550	2	Front T30
1M2AX34C0FM010188	5554-3431951	2	Rear T3030 Basic
1M2AX34C1EM010019	85143550	2	Front T30
1M2AX34C1EM010084	85143550	2	Front T30
1M2AX34C1FM010118	5396-GC3030CW	2	Rear T3030 Basic
1M2AX34C1FM010149	5396-SC30LCW	2	Front T30
1M2AX34C1FM010152	85143550	2	Front T30
1M2AX34C2FM010192	5396-SC30LCW	2	Front T30
1M2AX34C3FM010119	5396-GC3030CW	2	Rear T3030 Basic
1M2AX34C3FM010170	85143550	2	Front T30
1M2AX34C3FM010203	85143550	2	Front T30
1M2AX34C3FM010220	5396-SC30LCW	2	Front T30
1M2AX34C4FM010100	5396-GC3030CW	2	Rear T3030 Basic
1M2AX34C5EM010086	85143550	2	Front T30
1M2AX34C5FM010154	5396-SC30LCW	2	Front T30
1M2AX34C5FM010168	85143550	2	Front T30
1M2AX34C6FM010101	5396-GC3030CW	2	Rear T3030 Basic
1M2AX34C6GM010245	85143550	2	Front T30
1M2AX34C7FM010169	5396-SC30LCW	2	Front T30
1M2AX34C7FM010219	5396-SC30LCW	2	Front T30
1M2AX34C8EM010020	85143550	2	Front T30
1M2AX34C8EM010082	5396-GC3030CW	2	Rear T3030 Basic
1M2AX34C9EM010074	5396-GC3030CW	2	Rear T3030 Basic
1M2AX34C9GM010224	5554-3431951	2	Rear T3030 Basic
1M2AX34CXEM010021	85143550	2	Front T30
1M2AX34CXEM010083	85143550	2	Front T30
1M2AX34CXFM010117	5396-GC3030CW	2	Rear T3030 Basic
1M2AX34CXFM010120	5396-GC3030CW	2	Rear T3030 Basic
1M2AX35C0FM010058	85143550	2	Front T30
1M2AX35C0FM010061	85143550	2	Front T30
1M2AX35C0FM010075	85143550	2	Front T30
1M2AX35C1FM010053	85143550	2	Front T30
1M2AX35C1FM010067	85143550	2	Front T30
1M2AX35C2FM010059	85143550	2	Front T30

VIN Number	Part Number	Quantity	Brake Chamber Location
1M2AX35C2FM010062	85143550	2	Front T30
1M2AX35C4FM010063	85143550	2	Front T30
1M2AX35C6FM010064	85143550	2	Front T30
1M2AX35C8EM010016	85145824	2	Rear T3030 Long
1M2AX35C9FM010057	85143550	2	Front T30
1M2AX35C9FM010060	85143550	2	Front T30
1M2AX35C9GM010111	85143550	2	Front T30

NOTE

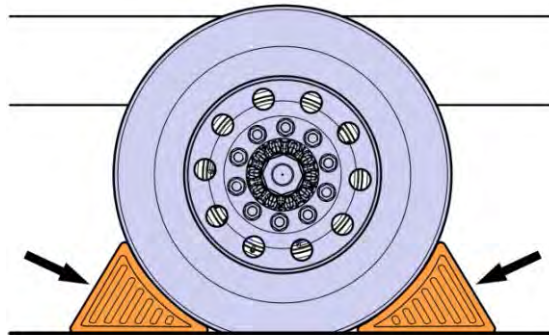
The Illustrations shown in this document are used for reference only and may differ slightly from the actual vehicle being serviced. However, the replacement procedure represented as accurately as possible.



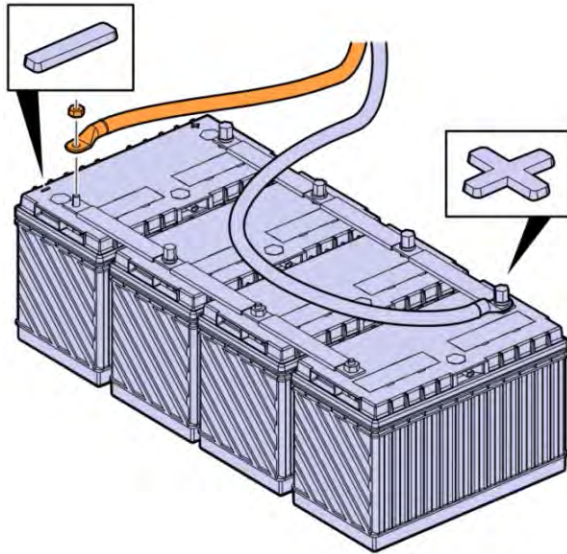
Park brake chambers are under extreme pressure and safe work practices should be observed. If instructions are not followed correctly, personal injury or death will occur.

Decommissioning the Truck for Inspection or Repair:

1. Secure the vehicle for service by parking on a flat and level surface, placing the transmission in neutral, applying the parking brake, turning the ignition key to the OFF position, and chocking the front wheels.



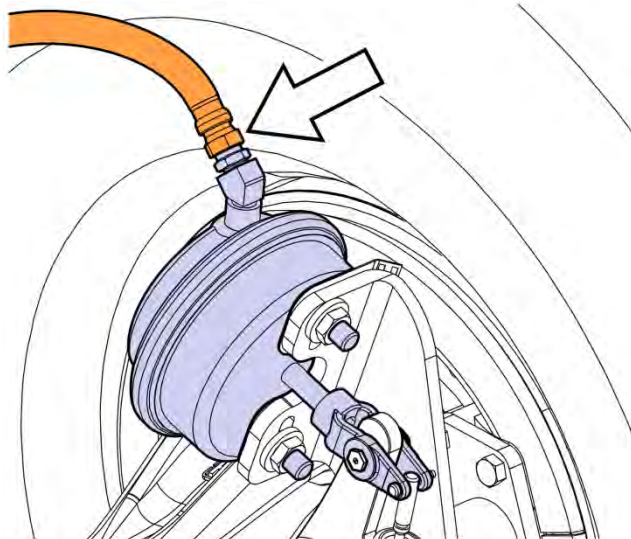
2. Disconnect the cable from the battery's negative (ground) terminal.



Brake Chamber, Replacement (Front Axle):

NOTE
This procedure covers the left and right front axle brake chambers.

1. Unlatch and open the hood.
2. Drain the complete air system of all pressure.
3. Remove the supply air line from the brake chamber.



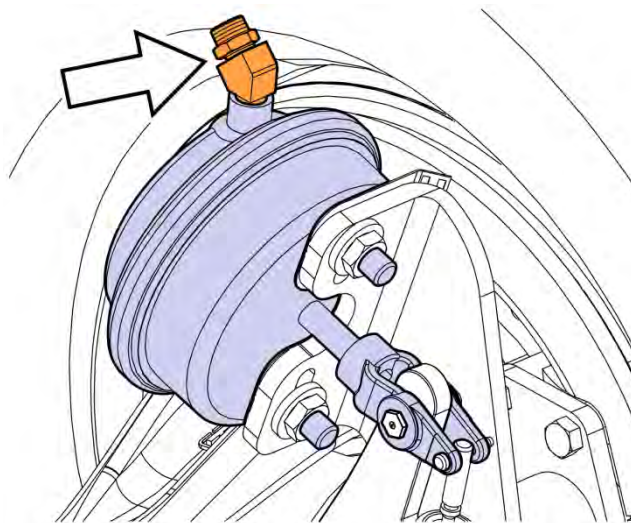
4. Remove fitting from the brake chamber.

NOTE

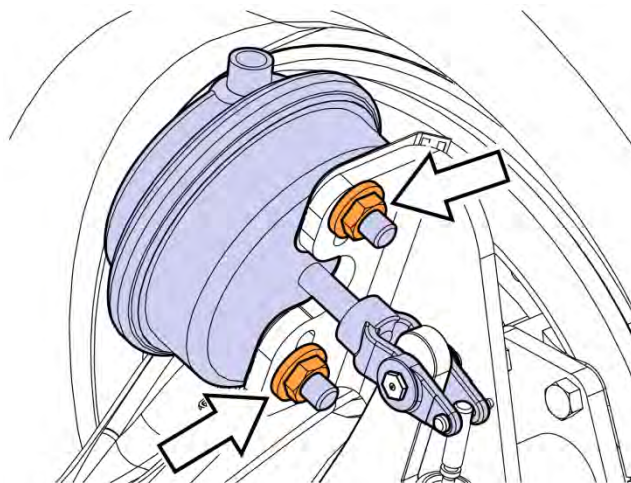
Record the position and orientation of the fitting for installation purposes.

NOTE

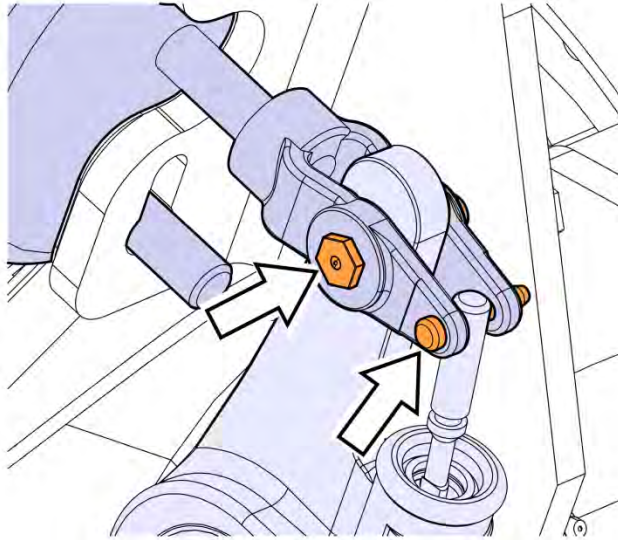
Clean the fitting of any debris and store it for reuse.



5. Remove nuts securing the brake chamber to the mounting bracket.

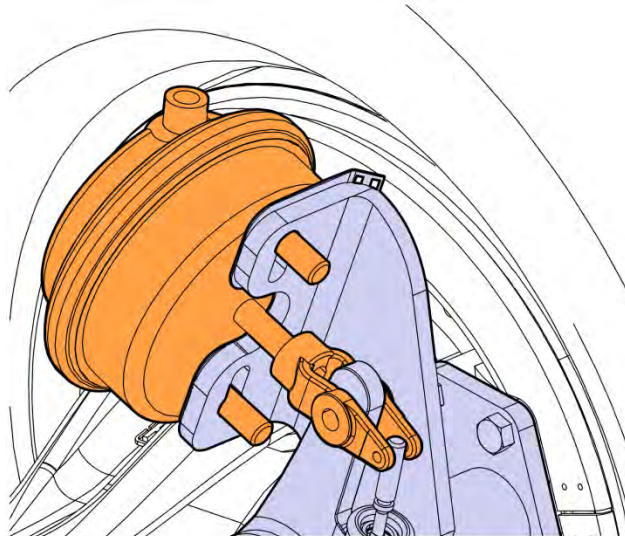


6. Remove the clevis pins from the brake chamber and slack adjuster.

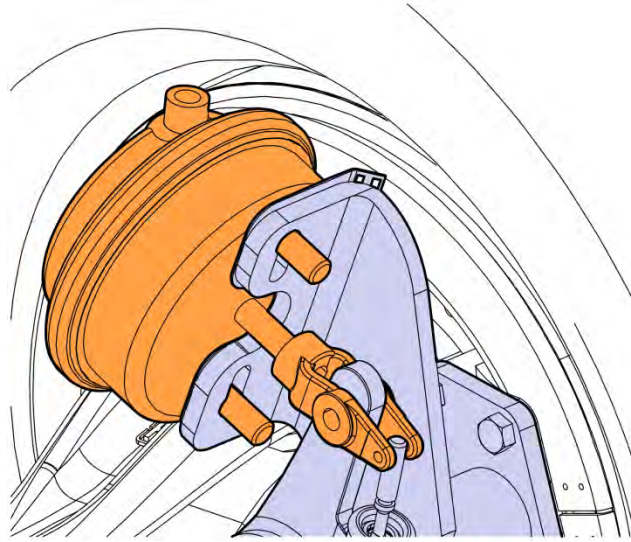


7. Remove the brake chamber.

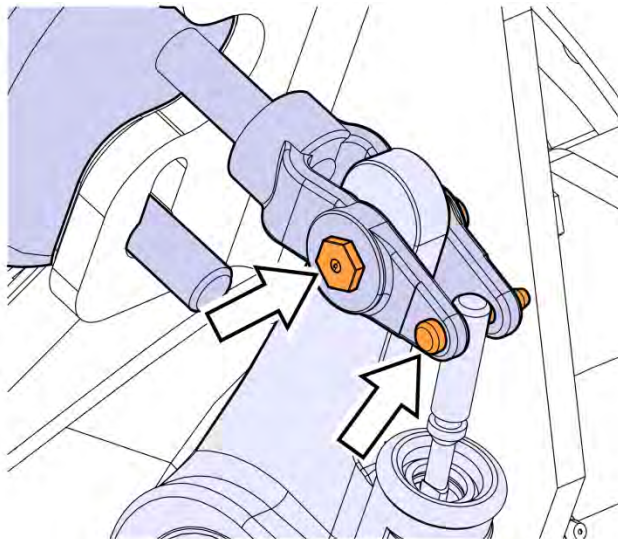
NOTE
Discard the existing brake chamber.



8. Position the new brake chamber.



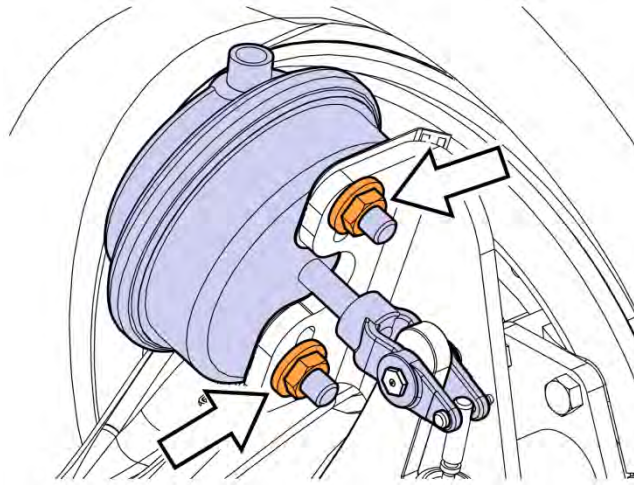
9. Install the clevis pins securing the brake chamber and slack adjuster.



10. Install the fasteners securing the brake chamber to the mounting bracket.

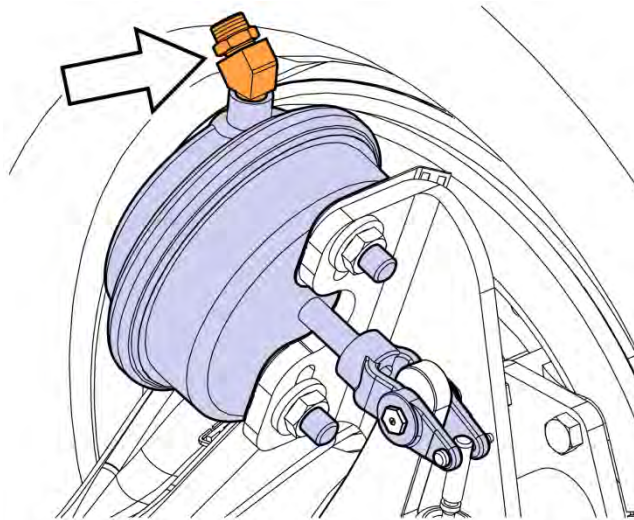
11. On the first pass, tighten the fasteners to 34 Nm (25 ft-lb).

12. On the second pass, tighten the fasteners to 180 - 210 Nm (133 – 154 ft-lb).



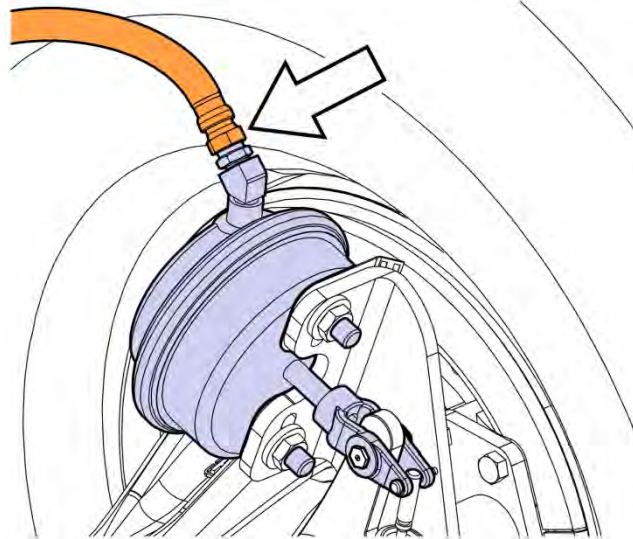
13. Using thread sealant, install the fitting into the brake chamber.

14. Tighten the fitting to 37 ± 3 Nm (27 ± 2 ft-lb).



15. Install the supply air line to the brake chamber and tighten according to the torque specification below.

NOTE
Use the table below to determine the correct air line hose end torque specification.



Air Line, Hose End Torque Specification		
Hose End Type	Thread	Torque Specification
NPTF	3/8 in	38 ± 1.9 Nm (28 ± 1.4 ft-lb)
	1/2 in	68 ± 4 Nm (50 ± 3 ft-lb)
SAE 45 Degree Flare	3/4 – 16 UNF	47.5 ± 2.0 Nm (35 ± 1.5 ft-lb)
	7/8 – 14 UNF	76 ± 4 Nm (56 ± 3 ft-lb)
	1-1/16 - 14 FEM	108 ± 6 Nm (80 ± 4 ft-lb)
SAE 37 Degree Flare	3/4 - 16 UNF	51 ± 2 Nm (37.5 ± 1.5 ft-lb)
	7/8 – 14 UNF	81 ± 4 Nm (60 ± 3 ft-lb)
	1-1/16 - 12 FEM	113 ± 6 Nm (84 ± 4 ft-lb)
Globe Seal	3/4 – 20 UNEF	47.5 ± 2.0 Nm (35 ± 1.5 ft-lb)

16. Adjust the brake.

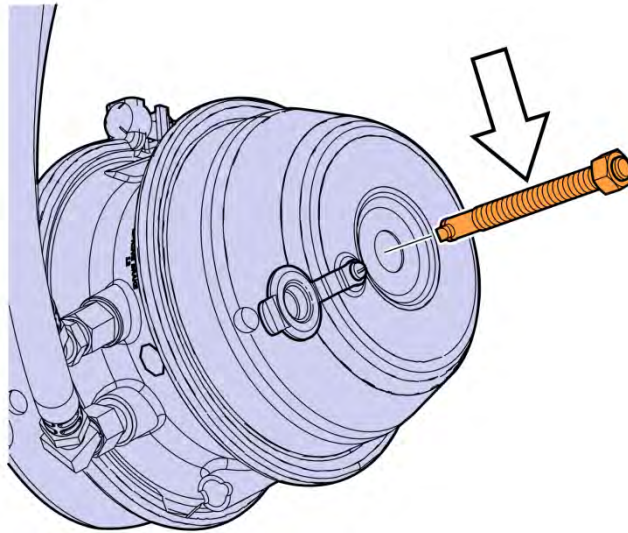
17. Repeat steps 2 through 16 for the opposite side of the axle.

18. Close and latch the hood.

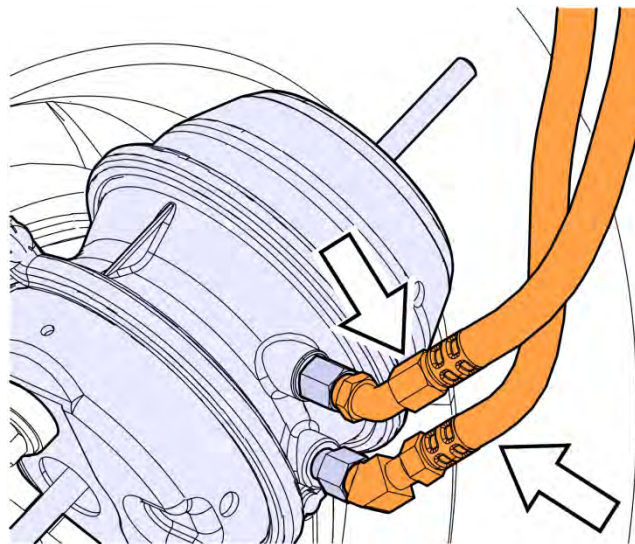
Brake Chamber, Replacement (Rear Axle):

NOTE
This procedure covers the left and right rear axle brake chambers.

1. Drain the complete air system of all pressure.
2. Cage the brake chamber.



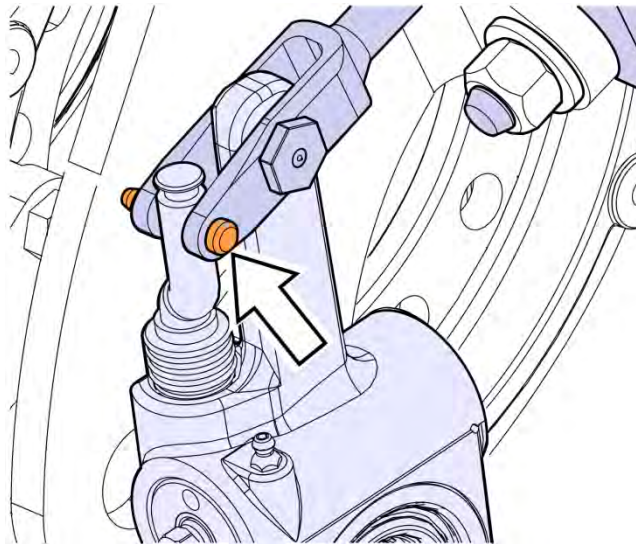
3. Disconnect the park brake and service supply air lines from the park brake chamber.



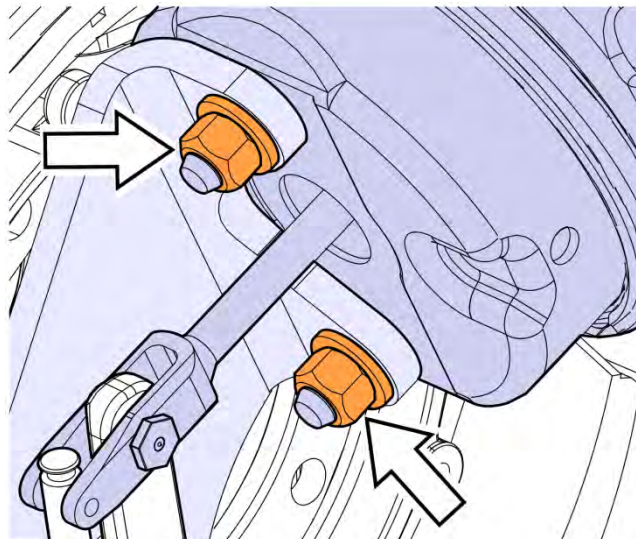
4. If applicable, remove the cotter pin and clevis pin from the park brake chamber rod.

NOTE

Do not discard the clevis pin. Clean and store for reuse.



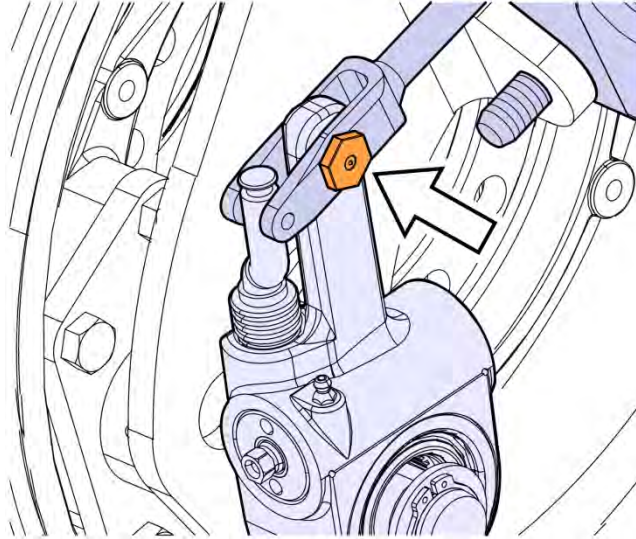
5. Remove the two nuts and washers from the park brake studs.



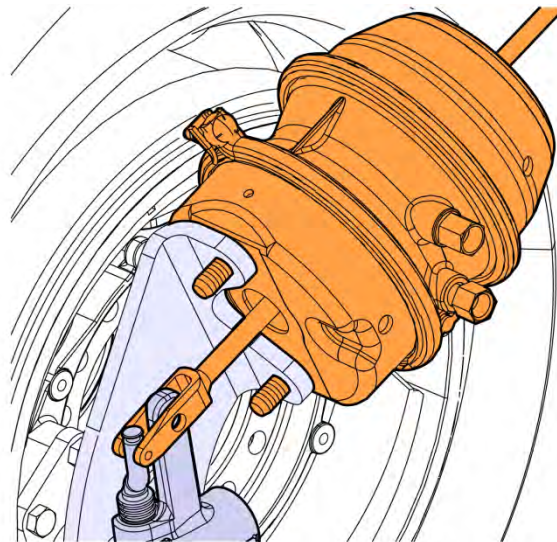
6. Remove the cotter pin and clevis pin from the slack adjuster.

NOTE

Do not discard the clevis pin. Clean and store for reuse.



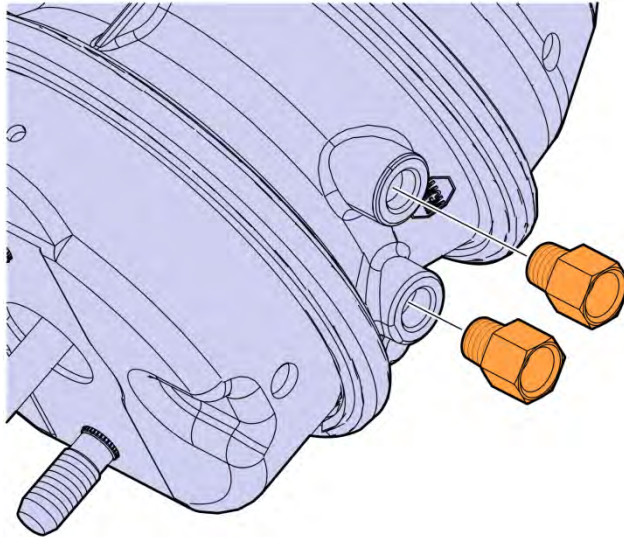
7. Remove the existing park brake chamber.



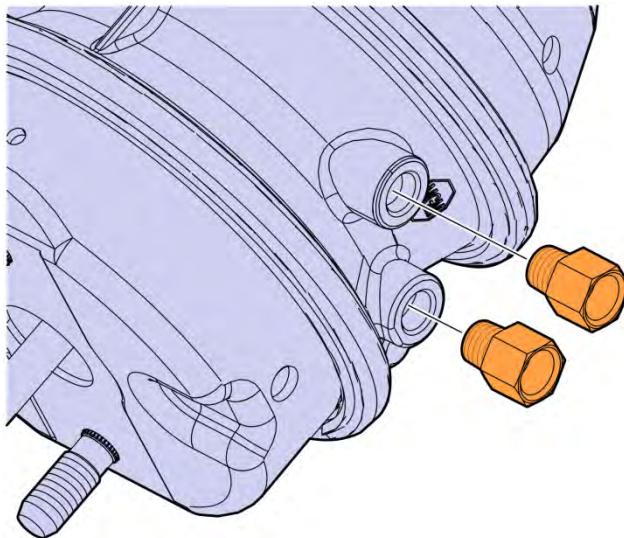
8. Remove the fittings from the existing park brake chamber.

NOTE

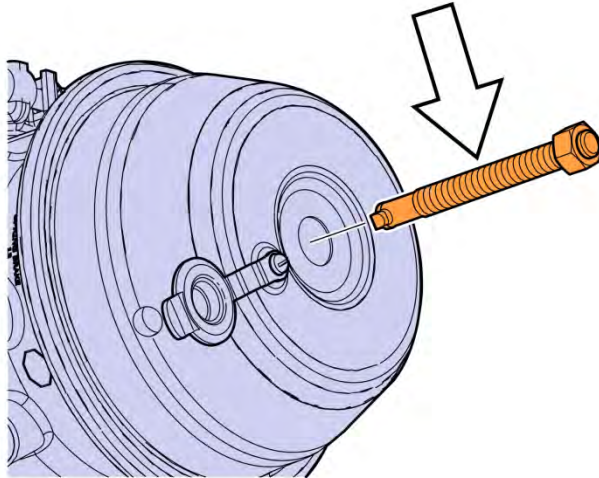
Clean the fittings of any debris and store them for reuse.



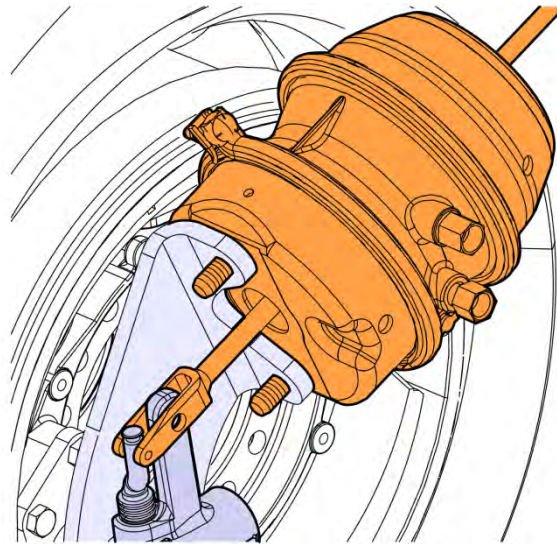
9. Using thread sealant, install the fittings on the replacement park brake chamber.
10. Tighten the fittings to 37 ± 3 Nm (27 ± 2 ft-lb).



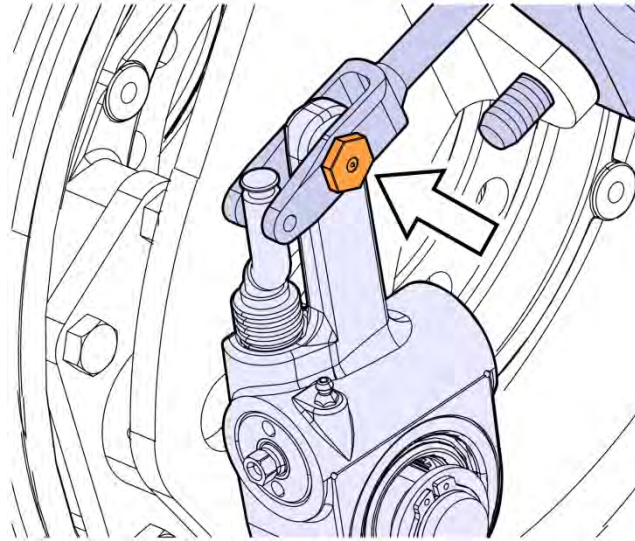
11. Cage the replacement park brake chamber.



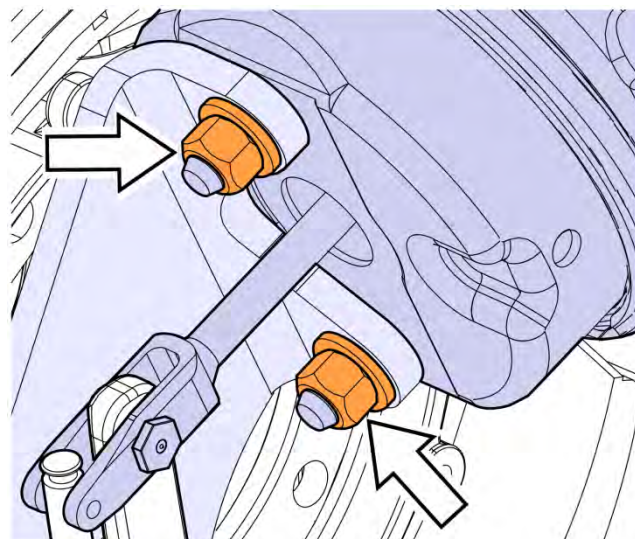
12. Position the replacement park brake chamber as shown in the figure below.



13. Install the clevis pin into the park brake chamber rod.
14. Secure the clevis pin with a new cotter pin.

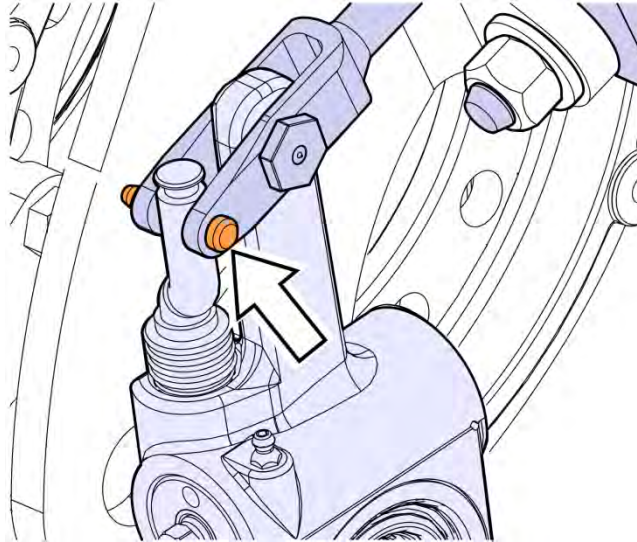


15. Install the two nuts and washers on the parking brake chamber studs.
16. On the first pass, tighten the fasteners to 34 Nm (25 ft-lb).
17. On the second pass, tighten the fasteners to 180 - 210 Nm (133 – 154 ft-lb).



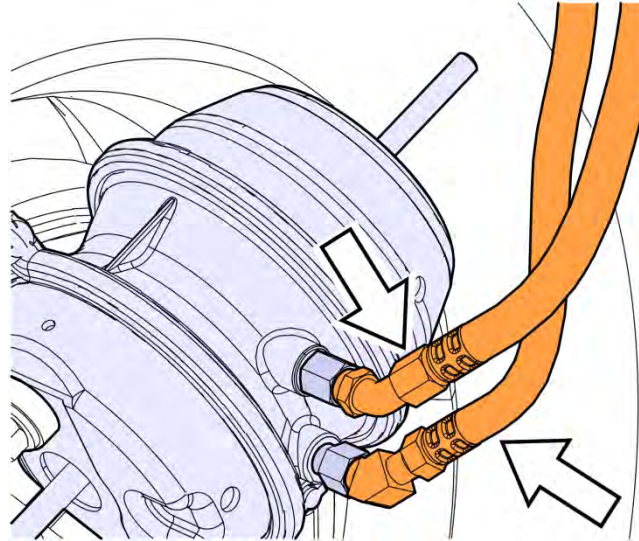
18. If applicable, install the clevis pin and cotter pin into the slack adjuster.

19. Secure the clevis pin with a new cotter pin.



20. Connect the park brake and service supply air lines to the brake chamber and tighten according to the torque specification.

NOTE
Use the table below to determine the correct air line hose end torque specification.

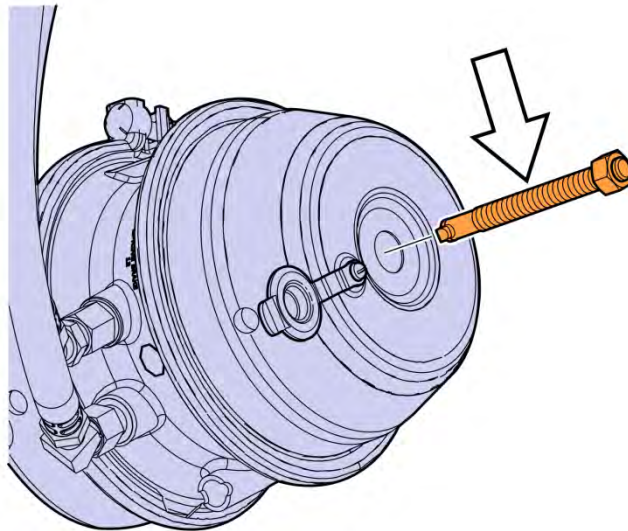


Air Line, Hose End Torque Specification		
Hose End Type	Thread	Torque Specification
NPTF	3/8 in	38 ± 1.9 Nm (28 ± 1.4 ft-lb)
	1/2 in	68 ± 4 Nm (50 ± 3 ft-lb)
SAE 45 Degree Flare	3/4 – 16 UNF	47.5 ± 2.0 Nm (35 ± 1.5 ft-lb)
	7/8 – 14 UNF	76 ± 4 Nm (56 ± 3 ft-lb)
	1-1/16 - 14 FEM	108 ± 6 Nm (80 ± 4 ft-lb)
SAE 37 Degree Flare	3/4 - 16 UNF	51 ± 2 Nm (37.5 ± 1.5 ft-lb)
	7/8 – 14 UNF	81 ± 4 Nm (60 ± 3 ft-lb)
	1-1/16 - 12 FEM	113 ± 6 Nm (84 ± 4 ft-lb)
Globe Seal	3/4 – 20 UNEF	47.5 ± 2.0 Nm (35 ± 1.5 ft-lb)

21. Un-cage the replacement park brake chamber.

NOTE

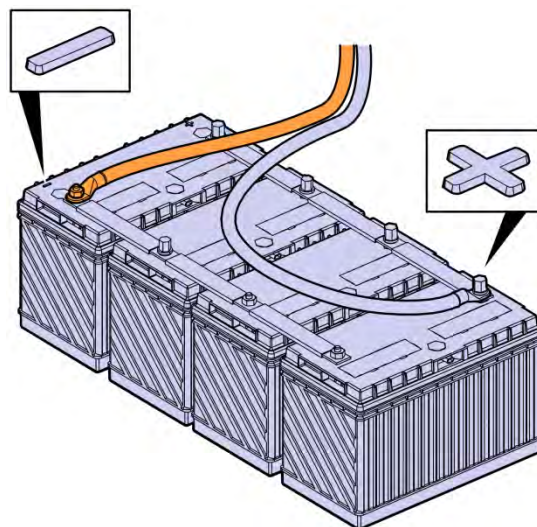
Ensure the brake chamber portal is covered with the supplied dust cover after the park brake chamber is un-caged.



22. Repeat steps 1 – 21 for the opposite side of axle.

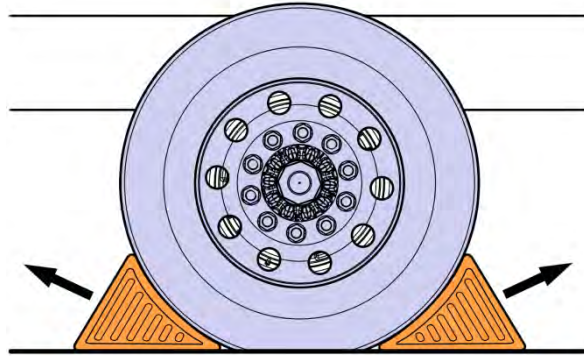
Commissioning the Truck for Operation:

1. Connect the battery cable to the negative (ground) terminal.



2. Start the engine, build the proper air system pressure, check for air leaks, and proper service/park brake operation.

3. Remove the wheel chocks.



Reimbursement:

<p>This repair is covered by an authorized Safety Recall campaign. Reimbursement is obtained through the normal claim handling process.</p>		
	UCHP Reimbursement	eWarranty Reimbursement
Claim Type (used only when uploading from the Dealer Business System)	41	41
Recall Status		
Vehicle repaired per instructions		1-Modified per instructions
Labor Code		
Primary Labor Code (Brake Chamber, Replacement, Front Axle) Per Axle	5126-03-09-08 1.0 hrs	5151A-01-95 1.0 hrs
Labor Code (Brake Chamber, Replacement, Rear axle) Per Axle	5126-03-09-07 1.5 hrs	5171C-01-95 1.5 hrs
Time to take charge of vehicle and determine campaign status	1700-16-01-01 0.3 hrs	17003-0-01 0.3 hrs
Causal Part	21370850	21370850
Authorization Number	C6570	SC0398

Take-charge time is not included in the labor code for this operation. Take charge may be eligible, but can only be used once per vehicle repair visit. If the vehicle is having other warranty repairs performed, take-charge should be charged to the warranty repair, otherwise take-charge can be charged to this Safety Recall campaign.