



## Technical Bulletin

### Hazard Alert Messages

Read and observe all Warning and Caution hazard alert messages in this publication. They provide information that can help prevent serious personal injury, damage to components, or both.

#### **⚠ WARNING**

To prevent serious eye injury, always wear safe eye protection when you perform vehicle maintenance or service.

Park the vehicle on a level surface. Block the wheels to prevent the vehicle from moving. Support the vehicle with safety stands. Do not work under a vehicle supported only by jacks. Jacks can slip and fall over. Serious personal injury and damage to components can result.

#### **⚠ ASBESTOS AND NON-ASBESTOS FIBERS WARNING**

Some brake linings contain asbestos fibers, a cancer and lung disease hazard. Some brake linings contain non-asbestos fibers, whose long-term effects to health are unknown. You must use caution when you handle both asbestos and non-asbestos materials.

### How to Obtain Additional Maintenance, Service and Product Information

Refer to Maintenance Manual MM-0467, EX+™ Air Disc Brake. To access this publication, visit Literature on Demand at Meritor.com.

### How to Obtain Kits

Call Meritor's Commercial Vehicle Aftermarket at 888-725-9355.

#### Replacement Parts

Brake Model	Kit	Includes
Meritor EX+	KIT225260	6 carrier mounting bolts and washers
Bendix	KIT225261	

## Inspecting and Tightening Carrier Mounting Bolts

### Certain Trailers Equipped with Air Disc Brakes

### Inspecting and Tightening Carrier Mounting Bolts

This technical bulletin provides instructions for inspecting the carrier mounting bolts and tightening the bolts to the correct torque specification. This inspection only applies to certain axles on a limited number of trailers.

### Inspection Procedure

1. Wear safe eye protection. Park the trailer on a level surface. Block the wheels to prevent the vehicle from moving.
2. Locate the carrier mounting bolts and check if any of the bolts are missing. Figure 1 and Figure 2.
  - **If any bolts are missing:** Replace the missing bolts. For Meritor EX+ brakes, use KIT225260. For Bendix brakes, use KIT225261.

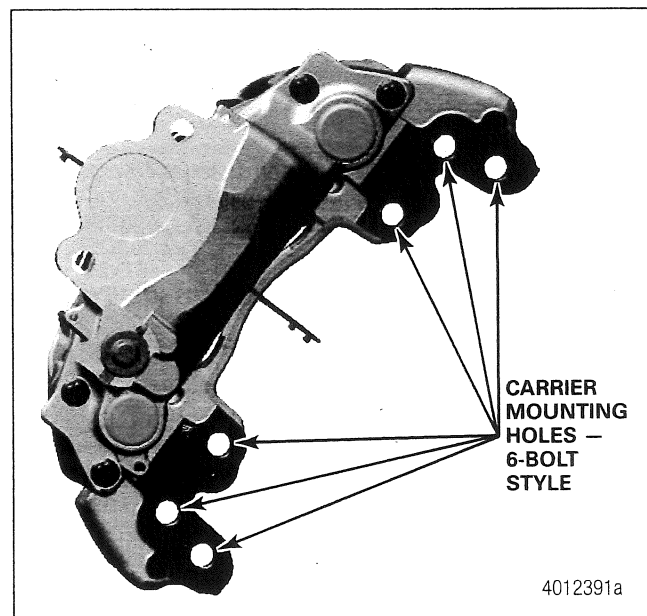


Figure 1

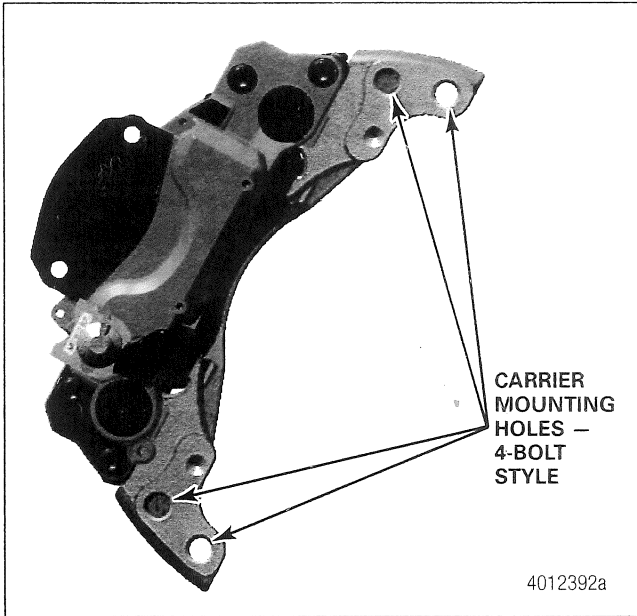




Figure 2

4. When the inspection is complete, contact the Meritor OnTrac™ Customer Call Center via phone at 866-668-7221 or via e-mail at OnTrac@Meritor.com to file a claim.

3. Tighten the carrier mounting bolts at all wheel-end positions on the suspension as follows. A minimum 6-inch extension may be required to reach the lower mounting bolts.

- **For Meritor EX+ air disc brakes:** Use a 30 mm-size socket wrench to tighten the carrier mounting bolts to 400 lb-ft (542 N•m). Figure 3. 
- **For Bendix brakes:** Tighten the carrier mounting bolts to 350-400 lb-ft (475-542 N•m). 

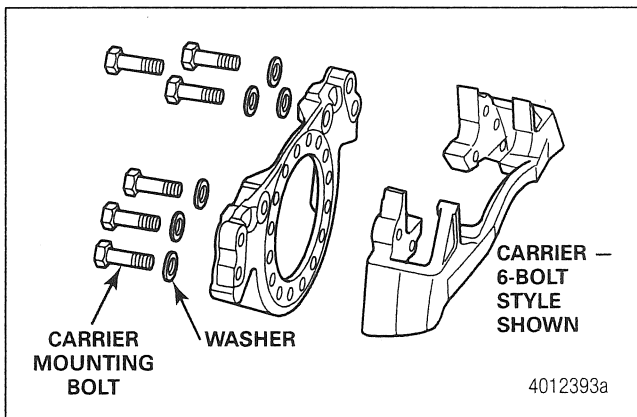


Figure 3



Meritor Heavy Vehicle Systems, LLC  
 2135 West Maple Road  
 Troy, MI 48084 USA  
 866-OnTrac1 (668-7221)  
 meritor.com

Information contained in this publication was in effect at the time the publication was approved for printing and is subject to change without notice or liability. Meritor Heavy Vehicle Systems, LLC, reserves the right to revise the information presented or to discontinue the production of parts described at any time.

Copyright 2015  
 Meritor, Inc.  
 All Rights Reserved

Printed in USA

TP-15141  
 Issued 10-15  
 (16579)