

# TECHNICAL BULLETIN

P072NAS1

06 NOV 2015



© Jaguar Land Rover North America, LLC

NOTE: The information in Technical Bulletins is intended for use by trained, professional Technicians with the knowledge, tools, and equipment to perform the job properly and safely. It informs these Technicians of conditions that may occur on some vehicles, or provides information that could assist in the diagnosis of a vehicle service. The procedures should not be performed by 'do-it-yourselfers'. If you are not a Retailer, do not assume that a condition described in this bulletin applies to your vehicle. Contact an authorized Land Rover service facility to determine whether this bulletin applies to a specific vehicle.

## ***SECTION: 501-10***

### Safety Recall: Second Row Seat Backrest Recline Function

#### **AFFECTED VEHICLE RANGE:**

##### **Range Rover Sport (LW)**

**Model Year:** 2015  
**VIN:** 628110-628957  
**Manufacturing Plant:** Solihull

##### **Range Rover (LG)**

**Model Year:** 2015  
**VIN:** 239784-241015  
**Manufacturing Plant:** Solihull

##### **Range Rover Sport (LW)**

**Model Year:** 2015  
**VIN:** 538466-539727  
**Manufacturing Plant:** Solihull

#### **MARKETS:**

NAS

#### **CONDITION SUMMARY:**

**Situation:** An issue has been identified on a limited number of vehicles listed within the Affected Vehicles Range where the backrest recline mechanisms may not latch correctly.

**Action:** Retailers are required to **HOLD** only affected new vehicles that are within your control and refrain from releasing the vehicle sale pending completion of the Inspection Procedure, and if necessary the Service Instruction, detailed in this Technical Bulletin. Unsold vehicles should have this performed as part of the Pre-Delivery Inspection (PDI) process but **must** have it completed before handover to the customer.

Affected vehicles already in the hands of customers should be inspected, and updated if necessary, at the next available opportunity.

#### **PARTS:**



**NOTE: ORDER PARTS ONLY AFTER CONFIRMING A VEHICLE FAILS THE INSPECTION PROCEDURE OUTLINED BELOW. IT IS RECOMMENDED TO REPLACE ONLY A FAILED SEAT FRAME WHICH DOES NOT HAVE A VISIBLE TAB AT THE RECLINER MECHANISMS.**



**NOTE: the expected percentage demand of parts is 10% for the total number of affected vehicles, not for each color or model.**



**NOTE: use DDW to verify interior color and seat specification prior to ordering any components.**



**NOTE: certain rear seat back carpet part numbers may require additional transit time.**

DESCRIPTION	PART No./SUNDRY CODE	QTY./VALUE	EXPECTED % of REQUIRING

Seat frame - 40% seat - 5-seat, Folding	LR065719	1	10
Seat frame - 60% seat - Load thru	LR052751	1	10
Seat frame - 60% seat - Low line, no load thru	LR052827	1	10
Centre seat belt retaining bolt - 60% seat only	HYP500370	1	10
Bolts - rear	LR049658	2 per frame / 4 per vehicle	10
Bolts - front	LR039088	2 per frame / 4 per vehicle	10
Carpet - Rear seat back - Carpet - Rear seat back - Ebony/Ebony - 40% seat - Range Rover Sport (L494)	LR042770	1	10
Carpet - Rear seat back - Espresso - 40% seat - Range Rover Sport (L494)	LR042768	1	10
Carpet - Rear seat back - Ebony/Ebony - 60% seat - Range Rover Sport (L494)	LR042772	1	10
Carpet - Rear seat back - Espresso - 60% seat - Range Rover Sport (L494)	LR042771	1	10
Carpet - Rear seat back - Ebony/Ebony - 60% seat, Fold Thru - Range Rover Sport (L494)	LR042774	1	10
Carpet - Rear seat back - Espresso - 60% seat, Fold Thru - Range Rover Sport (L494)	LR042773	1	10
Carpet - Rear seat back - Ebony/Ebony - 60% seat, Fold Thru, Cubby Box - Range Rover Sport (L494)	LR042777	1	10
Carpet - Rear seat back - Espresso - 60% seat - Range Rover Sport (L494)	LR042776	1	10
Carpet - Rear seat back - Ebony/Ebony - 40% seat - Range Rover (L405)	LR037270	1	10
Carpet - Rear seat back - Espresso - 40% seat - Range Rover (L405)	LR042771	1	10
Carpet - Rear seat back - Dark Cherry/Ivory - 40% seat - Range Rover (L405)	LR037265	1	10
Carpet - Rear seat back - Brogue/Ivory - 40% seat - Range Rover (L405)	LR037266	1	10
Carpet - Rear seat back - Navy/Cirrus - 40% seat - Range Rover (L405)	LR037268	1	10
Carpet - Rear seat back - Ebony/Pimento - 40% seat - Range Rover (L405)	LR037270	1	10
Carpet - Rear seat back - Espresso/Almond - 40% seat - Range Rover (L405)	LR037271	1	10
Carpet - Rear seat back - Ebony/Ebony - 60% seat - Range Rover (L405)	LR042772	1	10
Carpet - Rear seat back - Espresso - 60% seat - Range Rover (L405)	LR042771	1	10
Carpet - Rear seat back - Dark Cherry/Ivory - 60% seat - Range Rover (L405)	LR037273	1	10
Carpet - Rear seat back - Brogue/Ivory - 60% seat - Range Rover (L405)	LR037274	1	10
Carpet - Rear seat back - Navy/Cirrus - 60% seat - Range Rover (L405)	LR037276	1	10
Carpet - Rear seat back - Ebony/Pimento - 60% seat - Range Rover (L405)	LR037277	1	10
Carpet - Rear seat back - Espresso/Almond - 60% seat - Range Rover (L405)	LR037278	1	10
Carpet - Rear seat back - Ebony/Ebony - 60% seat, Fold thru - Range Rover (L405)	LR042774	1	10
Carpet - Rear seat back - Espresso - 60% seat, Fold thru - Range Rover (L405)	LR042773	1	10
Carpet - Rear seat back - Dark Cherry/Ivory - 60% seat, Fold thru -	LR044957	1	10

Range Rover (L405)			
Carpet - Rear seat back - Brogue/Ivory - 60% seat, Fold thru - Range Rover (L405)	LR044958	1	10
Carpet - Rear seat back - Navy/Cirrus - 60% seat, Fold thru - Range Rover (L405)	LR044959	1	10
Carpet - Rear seat back - Ebony/Pimento - 60% seat, Fold thru - Range Rover (L405)	LR044960	1	10
Carpet - Rear seat back - Espresso/Almond - 60% seat, Fold thru - Range Rover (L405)	LR044961	1	10

### **SPECIAL TOOLS:**

Refer to Workshop Manual/Service Instruction for any required tools.

### **WARRANTY:**



**NOTE: check DDW to ensure that a vehicle is affected by this program prior to undertaking any rework action.**

At the time of confirming a booking for vehicle repair, ensure that ALL outstanding Recalls and Service Actions are identified to correct parts are available and adequate workshop time is allocated for repairs to be completed at one visit.

Warranty claims must be submitted quoting Program Code 'P072', Option Code 'X', and the relevant parts and labor. The driv allowance can only be claimed if the vehicle is brought back into the workshop for this action alone to be undertaken.

Warranty claims must be submitted or payment within 30 calendar days of completion of the repair.

Repair procedures are under constant review and therefore times / prices are subject to change; those quoted here must be ta only. Refer to TOPIx to obtain the latest repair time.

DESCRIPTION	SRO	MODEL	TII
Inspect second row seat	05.10.10	All	0.10
Frame - Rear seat - LH - Renew	78.85.06	All	1.20
Frame - Rear seat - RH - Renew	78.85.07	All	1.00
Carpet - Rear seat back - Renew	76.49.03	Range Rover Sport (L494)	1.30
Carpet - Rear seat back - Renew	76.49.03	Range Rover (L405) - SWB	1.50
Carpet - Rear seat back - Renew	76.49.03	Range Rover (L405) - LWB	2.30
Drive in/drive out	02.02.02	All	0.20

Normal Warranty policies and procedures apply.

### **COMPONENT LOCATION:**



**1 NOTE:**

**Range  
Rover  
Sport  
(L494)  
shown;  
Range  
Rover  
(L405)  
similar.**

Location of  
second row  
seat  
backrest  
recliner  
mechanisms  
to be  
inspected.



**INSPECTION PROCEDURE:**

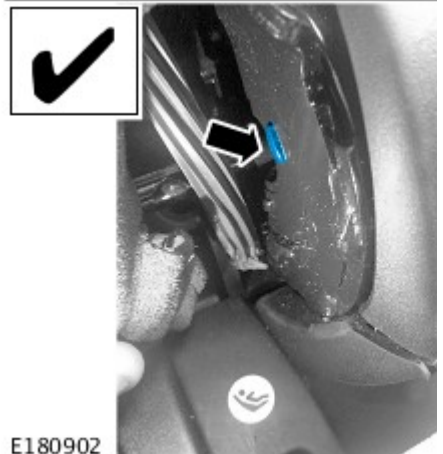
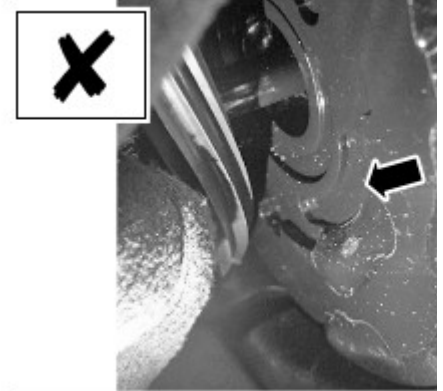
- 1 Move the second row left-hand seat squab outer trim to one side to reveal the metallic face of the recliner mechanism.



E180900

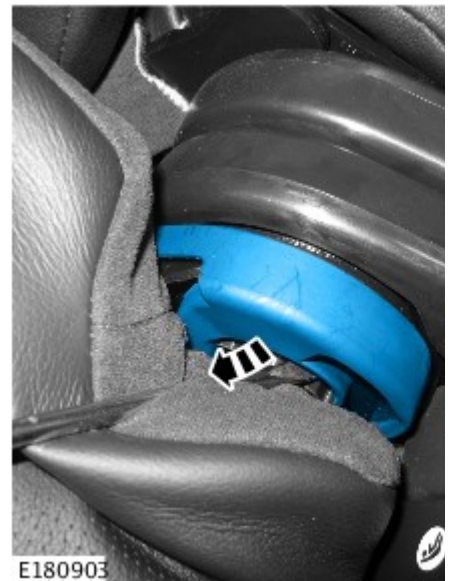
2 Inspect the second row left-hand seat outer recliner mechanism for a visible metallic tab on the face of the recliner mechanism.

- Note if a visible metallic tab is not ( " ) or is ( " ) present.
  - Continue to the next step.



3 Carry out Steps 1 and 2 to the second row right-hand seat outer recliner mechanism.

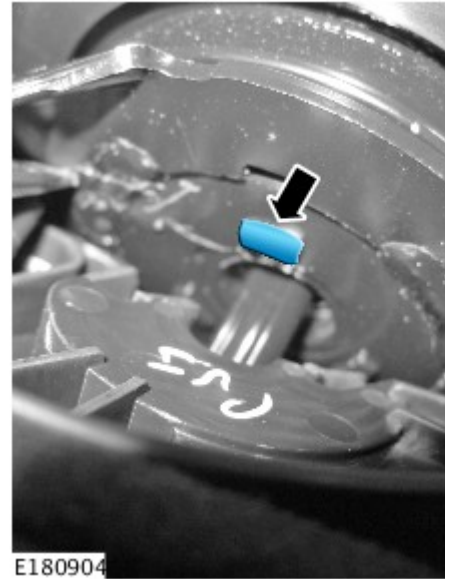
4 Move the second row right-hand seat squab inner trim to one side and position the plastic cover aside to gain access the recliner mechanism.



5 Inspect for a visible metallic tab on the face of the recliner mechanism.

- Note if a visible metallic tab is present ( " ).

- Continue to the next step.



6 Move the second row left-hand seat squab inner trim to one side and inspect for a visible metallic tab on the face of the recliner mechanism.


- Note if a visible metallic tab is present ( " ").
  - If a visible metallic tab is present on the face of **ALL** of the recliner mechanisms ( " " ), the vehicle may be released for sale or onward distribution.
  - If visible metallic tab is **NOT** present on the face a recliner mechanism(s), continue to the Service Instruction to replace the affected seat frame(s).



### **SERVICE INSTRUCTION:**

 **NOTE:** if both seat frames require replacement, perform steps 1-11 on both second row seats.

Service Instruction depicts second row 60% seat; second row 40% seat similar.


1  **NOTE:** remove the affected second row seat track covers and place to one side.

Remove the affected second row seat (see TOPIx Workshop Manual, section 501-10: Seating).

2  **NOTE:** do **NOT** discard the seat cover.

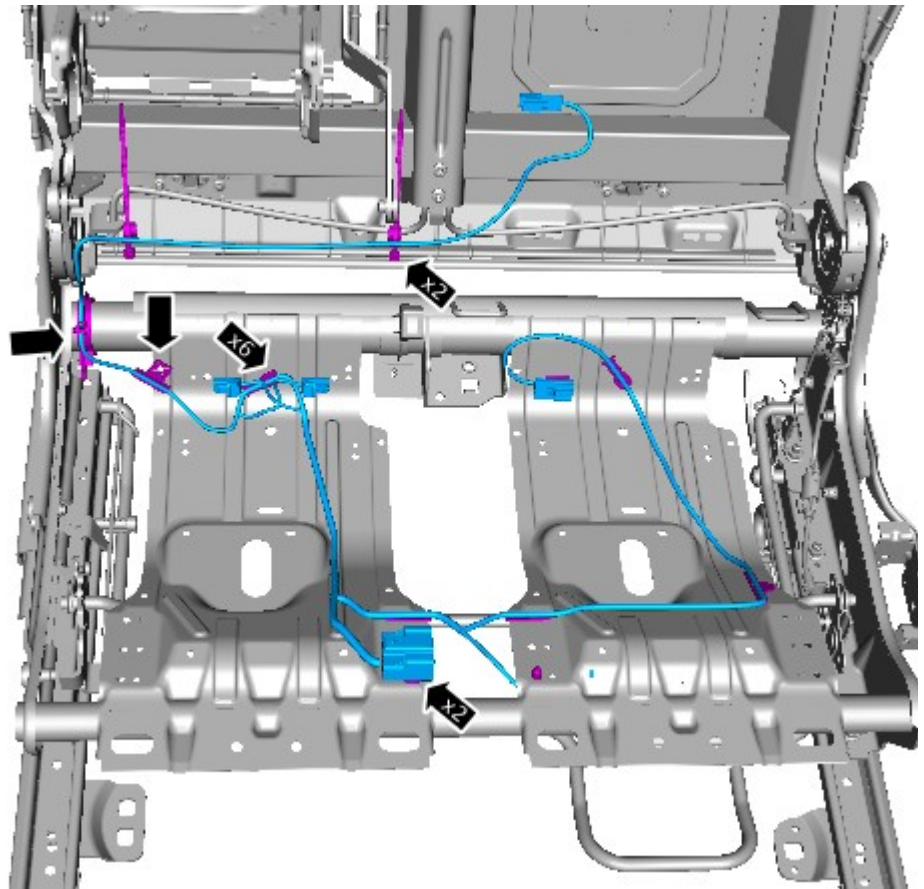
 **NOTE: do NOT remove the hog rings.**

Remove the second row seat backrest cover (see TOPIx Workshop Manual, section 501-10: Seating [Range Rover Sport; s or 501-10A: Seating - SWB / 501-10B - LWB [Range Rover; steps 1-14 only].

**3**  **NOTE: only if equipped.**

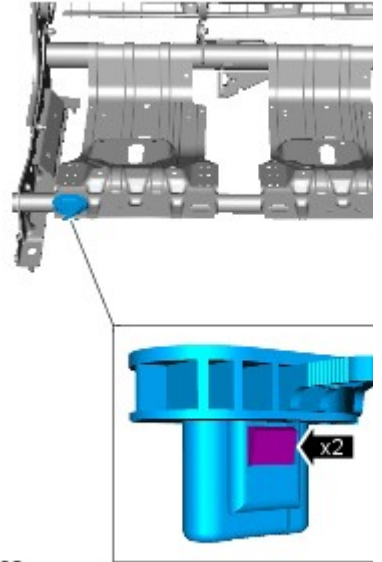
Remove the second row seat Upper Backrest Adjustment Motor (see TOPIx Workshop Manual, section 501-10: Seating [R: Sport] or 501-10A: Seating - SWB / 501-10B - LWB [Range Rover]).

**4** Remove the second row seat harness.



E171164

**5** Remove the second row seat cushion retaining clips.



E145692

6  **NOTE:** a new carpet back **MUST** be fitted when installing a new second row seat frame.

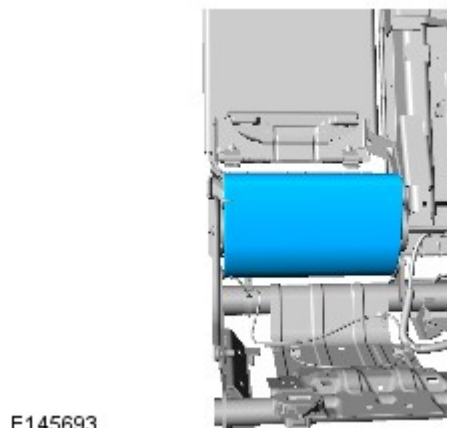
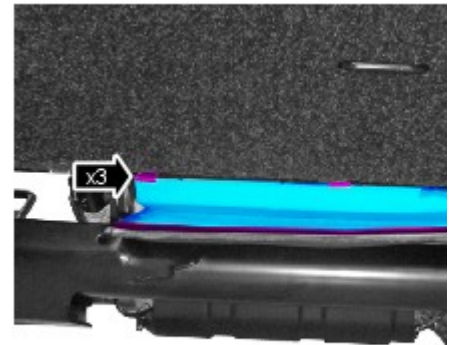
 **NOTE:** install the previously removed left and right, front and rear seat track covers to the new second row seat fra

To install, reverse the removal procedure.

- 60% seats: continue to step 7.
- 40% seats: continue to step 11.

7  **NOTE:** 60% seat only.

Remove the bolster cover as illustrated.

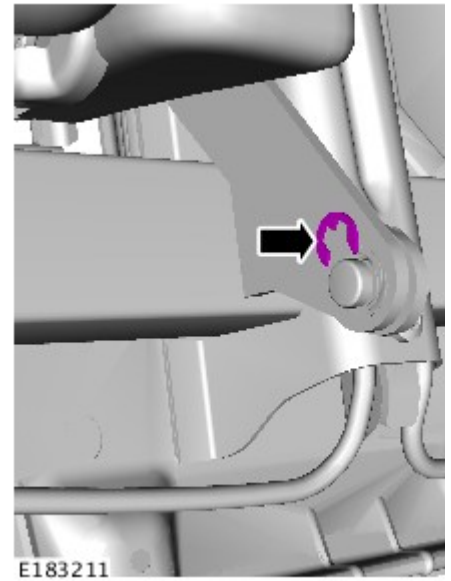


E145693



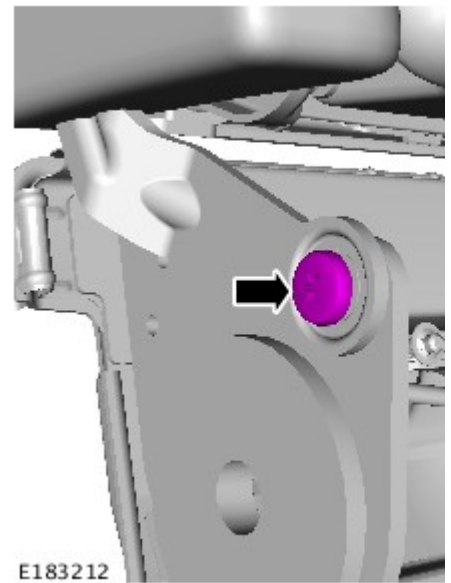
8  **NOTE: 60% seat only.**


Remove the spring clip from the centre arm rest.



9  **NOTE: 60% seat only.**

Remove the fixing bolt from the centre arm rest.



10  **NOTE: 60% seat only.**

Remove the centre arm rest as an assembly and install to the new second row seat frame.

- Torque: 18Nm  $\pm$ 1Nm

11 To install, reverse the removal procedure.

- Seat frame bolt torque: 50Nm.