

September 3, 2015

02376 Version 1

Safety Recall: Ignition Coils

AFFECTED VEHICLES

Year	Model	Trim	VIN Range
2015	Fit	ALL	Check the iN VIN status for eligibility

BACKGROUND

The noise suppression capacitors inside the ignition coils may degrade over time causing the check engine light to illuminate, the engine or fuel injection system to malfunction, or in severe cases cause the engine to stall.

CUSTOMER NOTIFICATION

Owners of affected vehicles will be sent a notification of this campaign.

Do an iN VIN status inquiry to make sure the vehicle is shown as eligible.

Some vehicles affected by this campaign may be in your new or used vehicle inventory. These vehicles must be repaired before they are sold.

Should a dealership sell an unrepaired vehicle that subsequently causes an injury or damage because of the recalled item, the dealership will be solely responsible to the damaged party, and will be required to defend and indemnify American Honda for any resulting claims. To see if a vehicle in inventory is affected by this campaign, do a VIN status inquiry before selling it.

CORRECTIVE ACTION

Replace the four ignition coils and, if necessary, clean the spark plug connection ends.

PARTS INFORMATION

Part Name	Part Number	Quantity
Ignition Coil	30520-5R0-013	4

CUSTOMER INFORMATION: The information in this bulletin is intended for use only by skilled technicians who have the proper tools, equipment, and training to correctly and safely maintain your vehicle. These procedures should not be attempted by "do-it-yourselfers," and you should not assume this bulletin applies to your vehicle, or that your vehicle has the condition described. To determine whether this information applies, contact an authorized Honda automobile dealer.

WARRANTY CLAIM INFORMATION

The normal warranty applies.

Operation Number	Description	Flat Rate Time	Template ID	Failed Part Number
1175A2	Replace the ignition coils and if necessary, clean the spark plug connection end.	0.4 hr	15-060A	30520-5R0-003

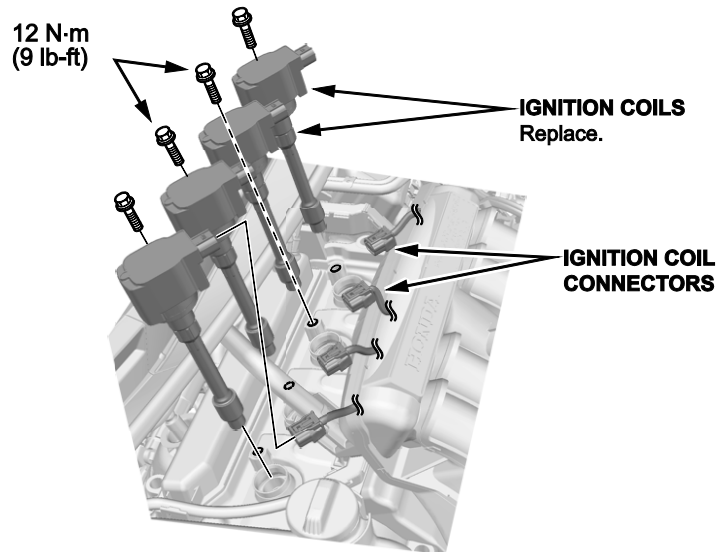
Defect Code: 5YW00

Symptom Code: JT900

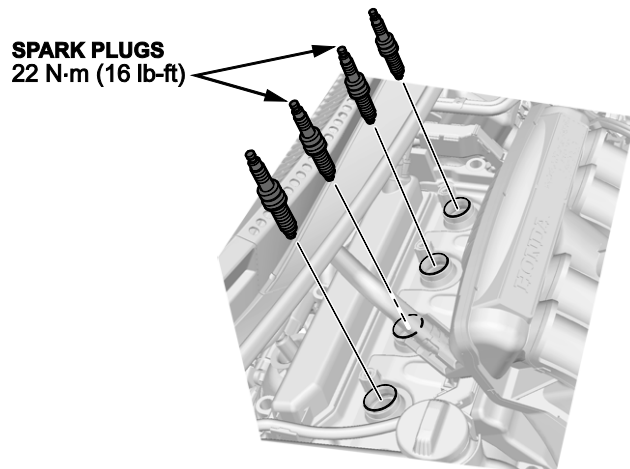
Skill Level: Repair Technician

REPAIR PROCEDURE

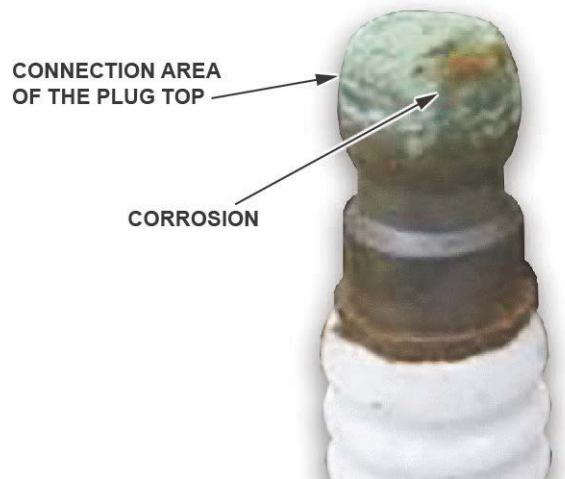
1. Disconnect the ignition coil connectors.



2. Remove the ignition coils.
3. Remove the spark plugs.



4. Inspect the connection end of the spark plugs.



- If the spark plug connection ends have corrosion on them, clean them with a commercially available cleaner, then reinstall the spark plugs and torque them to **22 N·m (16 lb-ft)**.
 - If the spark plug connection ends does not have any corrosion on them, reinstall the spark plugs and torque them to **22 N·m (16 lb-ft)**.
5. Install the new ignition coils and torque them to **12 N·m (9 lb-ft)**.

END