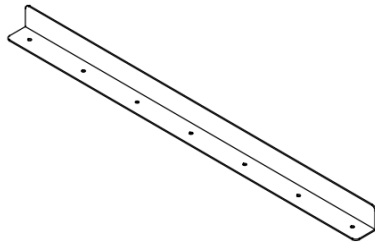


TIB # 15-002

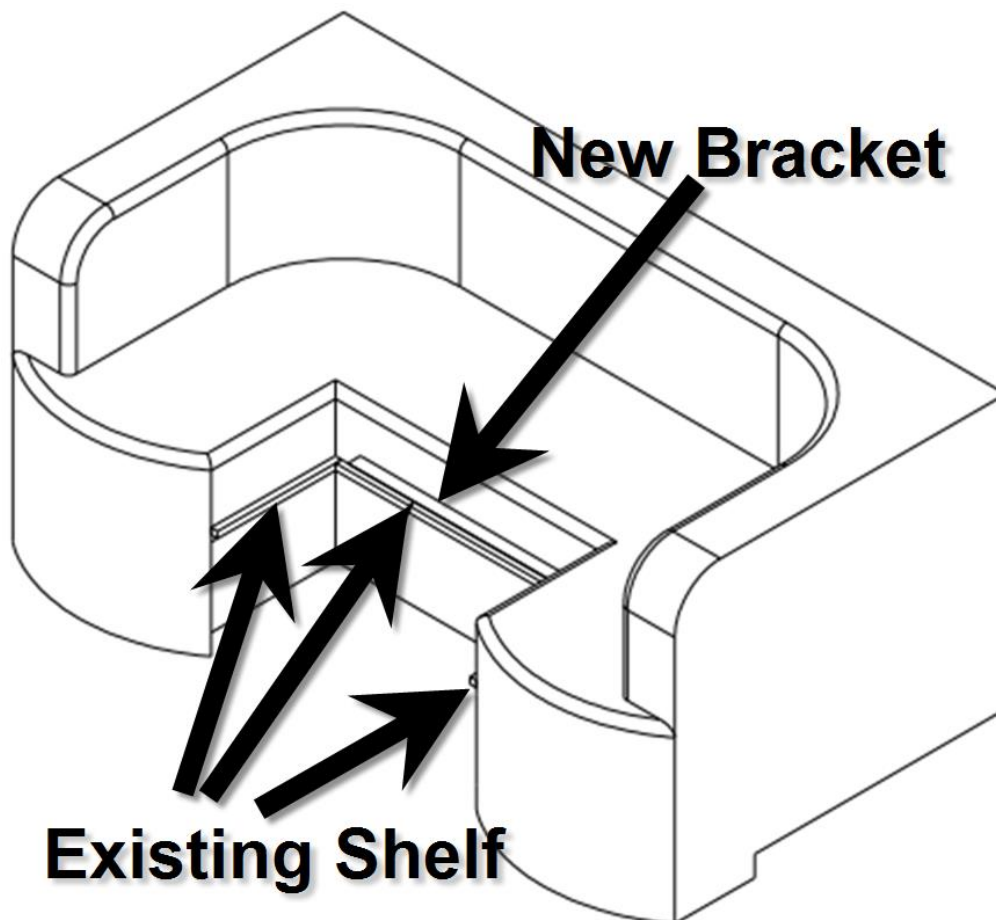
Issue: On certain Tuscany units the dinette table may not stay in position when turned into a bed
Released Date: 3.10.15

Item required:

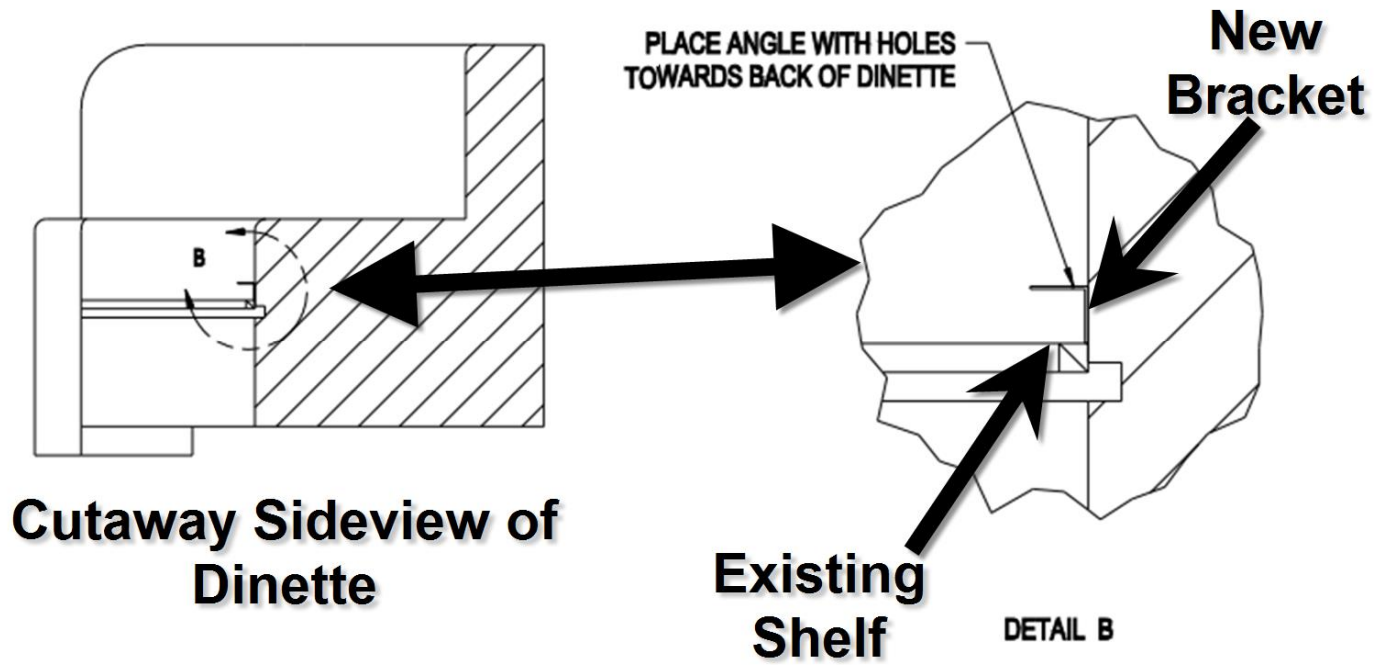
Bracket TMC item number 0324424
Screws - source locally



1. Position the bracket on the front of the dinette. Place the angle so that the side with the holes is flat against the dinette and the bottom edge of that side is against the existing shelf.



2. Make sure the bracket is centered, level, and that the edge of the bracket is up against the existing shelf.



3. Test the positioning on the bracket by putting the table into sleeping position. Make sure there is a tight fit between the existing shelf and the new bracket.
4. Once the bracket has been dry fit and the positioning has been verified, attach the bracket using the screws.