

IMPORTANT SAFETY RECALL

Airstream Interstate

NHTSA Recall Number 15V-336

Transport Canada Recall Number 2015-218

Problem

On Airstream Interstate Vans, when the optional side screen door is in the closed position and the vehicle's curbside sliding door closed, the screen door may become inoperable. In the event of a need for emergency escape from the vehicles, occupants may not be able to use this exit for egress, increasing the chance for personal injury.

RANGE OF VEHICLES INVOLVED:

Certain 2015--2016 Airstream Interstate installed with sliding screen doors. Built between July 2014 and May 2015.
Serial number range: 303701 to 304272

WARRANTY REIMBURSEMENT:

A notice of this recall has been sent to affected retail owners. A copy of the Owner's letter is included for your review. They may request that you complete the repair. If so, please follow the warranty reimbursement procedure. If the unit and/or units are in your inventory, or if you are requested to perform the repair for the retail customer, please complete the advised repair and send in a warranty claim referencing this recall number for reimbursement. The time allowed for repair is 30 minutes.

SERVICE ACTION:

The repair is to attach a block/stop on the vehicle's sliding door, which keeps the sliding door from shutting if the screen door is closed. See attached repair procedure.

Process:

After Installation, close the screen door, slide the outside door forward and confirm that the stop block will contact the screen door frame preventing the sliding door from latching. On model year 2015 you will be placing directly on the door steel not on the Airstream installed panel. Verify that you have ordered the correct part for 2015 or 2016 units.

Equipment and Parts needed:

- 3/16 Drill Bit
- Battery Drill

Parts Needed: Note different part numbers for model year.

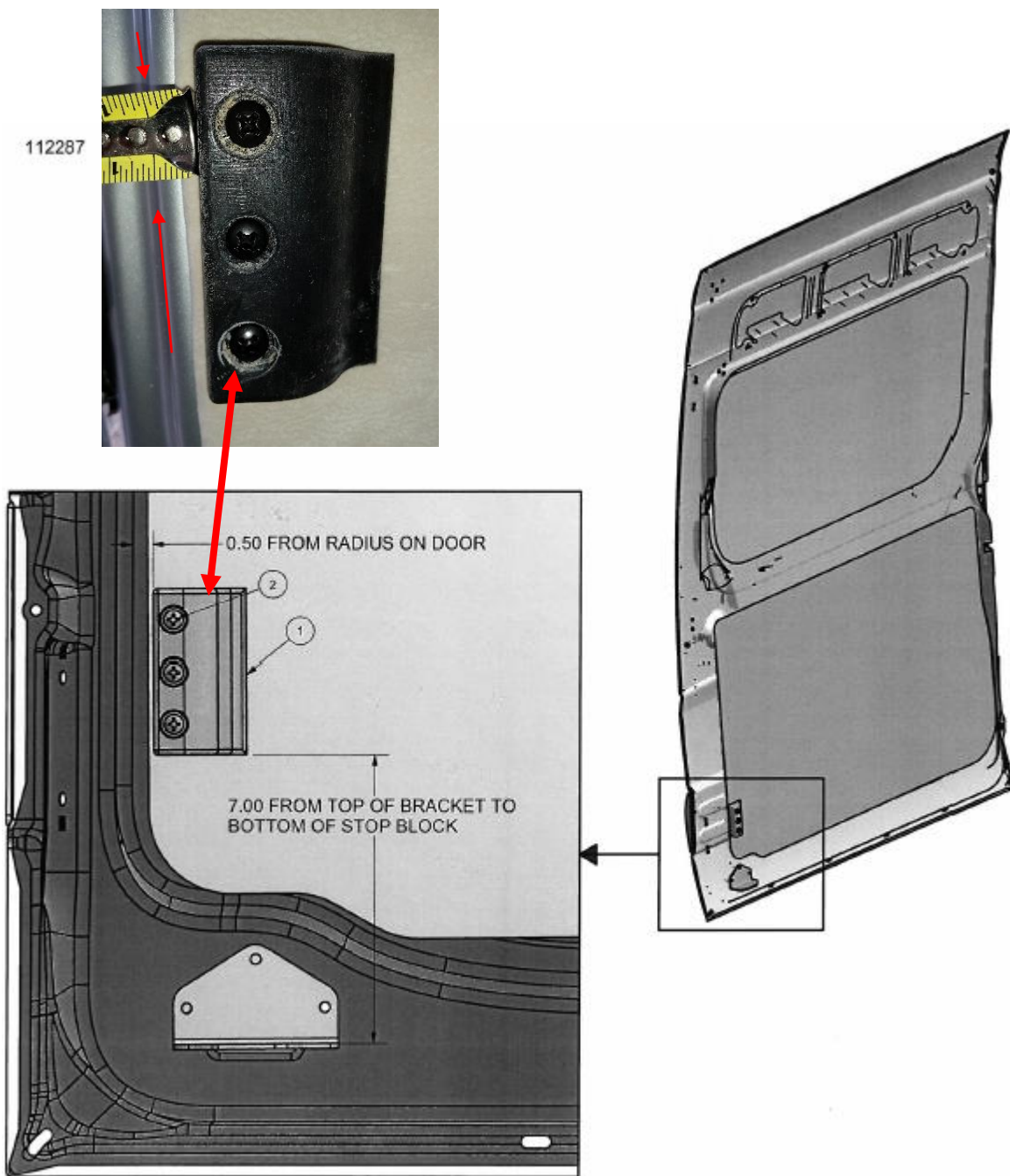
Part Number: 2016 203820 Door Stop, 320187 3 each screws

Part Numbers: 2015 203821 Door Stop, 320187 3 each Screws



Airstream Interstate 2015/2016 Model Year

Step 1: Installation of the sliding door stop on 2015/2016 Airstream Interstates.



Measure in $\frac{1}{2}$ " from side radius and 7" up from sliding door bracket. Using your $\frac{3}{16}$ " bit drill out the three holes using the stop as your template

Step 2:

Shut the screen door. Once screen is closed, verify that the sliding door will no longer latch. The door will not shut if installed properly.

Airstream Interstate 2015 Model Year

Step 1:

On certain 2015, they may be two sliding door stops from Mercedes that will need removed. If these are still installed you will simply need to remove the fastener to take these off. Once removed you will need to reinstall the fasteners that were used holding them on.



You will need a T14 tip to remove the three fasteners



Airstream will supply the parts at no charge. To receive the new bolts, or if you have any problems with the installation, please contact Airstream Customer Support at 937 596 6111 ext. 7401