

# IMPORTANT UPDATE

## TECHNICAL INSTRUCTIONS

### FOR

## SAFETY RECALL DSF and E04

(Note: These technical instructions may be used on any vehicle covered under DSF or E04)

## FRONT PASSENGER AIRBAG INFLATOR MODULE

## CERTAIN 2003 – 2008 MODEL YEAR COROLLA

**Updated 07-17-18**

**Update 07-17-18**

- **The Technician Certification Requirements have changed**

**Update 04-18-18**

- The parts section has been updated

**Update 03-16-17**

- The parts section has been updated.

**Update 05-09-16**

- The parts section has been updated.

**Update 03-01-16**

- The TI has been updated to include the 2008 MY.

**Update 11-12-15**

- The TI has been updated to include recall DSF.

**Update 6-15-15**

- The Corolla now has its own instructions and the parts section has been updated.

**Update 5-12-15**

- E04 has been expanded to include 2005 to 2007 MY Corolla/Matrix vehicles.
- The airbag/inflator scanning application screen shots have been updated.

**Update 2-24-15**

- **DISCONTINUED:** Passenger Airbag disablement has been discontinued.

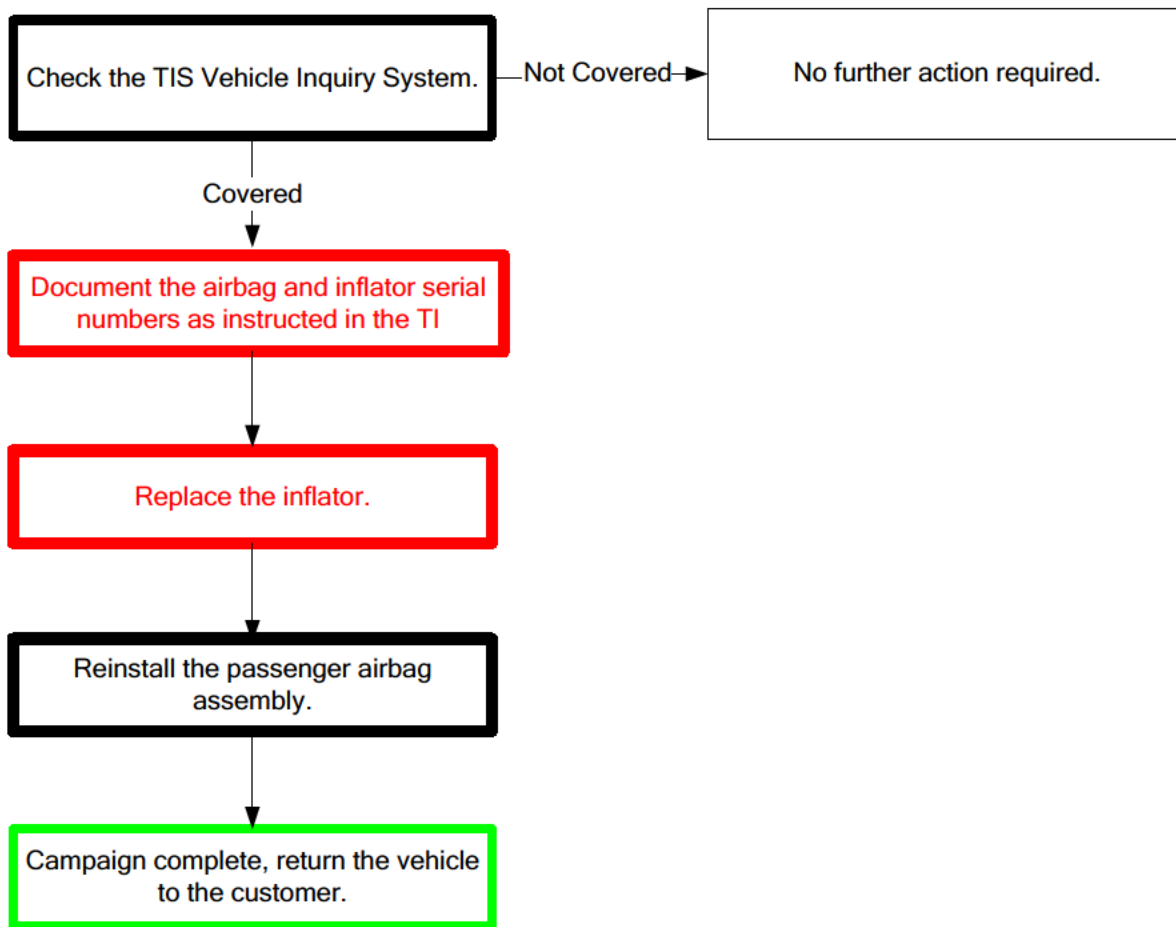
All dealership technicians performing this recall are required to successfully complete the most current version of the E-Learning course "Safety Recall and Service Campaign Essentials". To ensure that all vehicles have the repair performed correctly; technicians performing this recall repair are required to have successfully completed E-Learning course SC18A (if you had previously completed E-Learning Course SC13B, you do not have to take SC18A), in addition to "Safety Recall and Service Campaign Essentials", and currently hold at least one of the following certifications levels:

- Toyota Certified (Electrical)
- Toyota Expert (Any Specialty)
- Master
- Master Diagnostic Technicians

**NOTE:** The videos in this document were created for D0F/DSF, but are used in this document to help supplement the technical instructions.

## I. OPERATION FLOW CHART

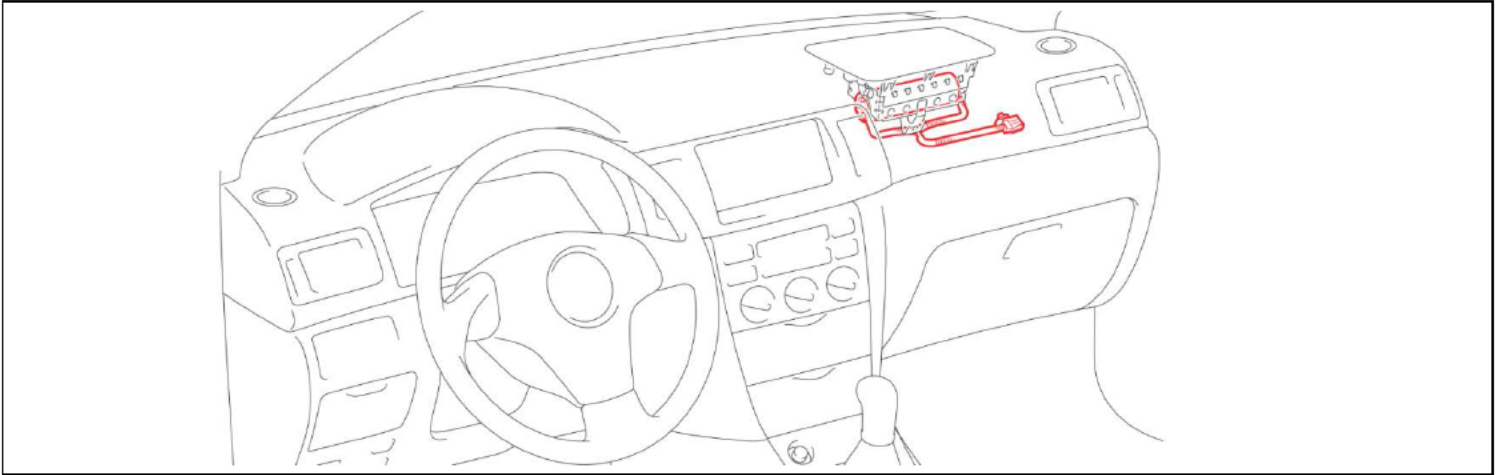
The flow chart is for reference only. **DO NOT** use it in place of the full technical instructions. Follow **ALL** steps as outlined in the full technical instructions to confirm the campaign is completed correctly.



**STOP** Passenger airbag disablement has been DISCONTINUED you must repair the vehicle. **STOP**

## II. BACKGROUND

The subject vehicles are equipped with front passenger airbag assemblies. When located in areas with consistently high absolute humidity, the front passenger airbag inflator could be susceptible to rupture in a crash. An inflator rupture may result in metal fragments striking and potentially seriously injuring the vehicle occupants. The cause of the potential ruptured inflators and influence of high absolute humidity are under investigation.



## III. IDENTIFICATION OF AFFECTED VEHICLES

- Check the TIS Vehicle Inquiry System to confirm the VIN is involved in this Safety Recall, and that the campaign has not already been completed prior to dealer shipment or by another dealer.
- **TMS warranty will not reimburse dealers for repairs conducted on vehicles that are not affected or were completed by another dealer.**

## IV. PREPARATION

### A. PARTS



**Only one inflator kit is required per vehicle, ensure you pick the correct part number for your location so that the correct return shipping information is included.**

#### Applicable for: The Continental U.S. 48 States Only

Model	Part Number	Part Description	Quantity
2003-2008 MY Corolla	04006-06102	Instrument Panel Airbag Inflator Kit*	1
*The kit above includes the following parts.			
Inflator			1
Self Locking Nut			4
Stopper Plate			1
Position Determining Plate			1
Electro Tap			1
Felt Tape Strips			2

#### Applicable for: Alaska, Hawaii and USTT Locations Only

Model	Part Number	Part Description	Quantity
2003-2008 MY Corolla	04006-06102	Instrument Panel Airbag Inflator Kit*	1
*The kit above includes the following parts.			
Inflator			1
Self Locking Nut			4
Stopper Plate			1
Position Determining Plate			1
Electro Tap			1
Felt Tape Strips			2

## Non-Desiccated Part Recovery

**Dealers should discontinue the installation of the non-desiccated parts listed below for recall, customer pay repairs AND over-the-counter sales (if applicable).**

Model	Model Year	Location	Part Number	Part Description	Qty
Corolla	2003-2004	48 States in Continental U.S.	04003-28102	INFLATOR ASSY KIT, INSTR PNL AIRBAG	1
		USTT, Hawaii & AK	04003-11102		
	2005-2008	48 States in Continental U.S.	04004-75202		
		USTT, Hawaii & AK	04004-75102		

Model	Model Year	Part Number	Part Description
Corolla	2003-2004	73970-02040-B0	AIR BAG ASSY, INSTR PNL PASS
		73970-02040-B1	
		73970-02040-E0	
	2005-2008	73970-02051-B0	
		73970-02051-B1	
		73970-02051-E0	

**Toyota requires all dealers to return any parts listed above that still remain in dealer inventory by utilizing the Hazmat Part Return Program available. Dealers will be issued a refund for all part returns. This part return program is outlined in *PANT Bulletin 2014-042*.**

**Important Note:**

In order to return the inflator, packages must **NOT** be opened/tampered with.

**A. TOOLS & EQUIPMENT**

- Standard hand tools
- Molding remover set
- Torque wrench
- Techstream
- Electrical tape
- Zip Tie

**OPTIONAL SST** – This is an essential special service tool that the dealership should have. This tool is not mandatory when performing this repair.

Part Number	Part Name	Quantity
09890-47010-01	Anti-Static Mat Set	1

**E04 CAMPAIGN TOOLS** – These tools were previously provided to the dealership for campaign D0F and will be used for campaign E04. These tools are required when performing this repair.

Image	Name	Quantity
	Airbag Mounting Bracket & hardware	1
	Barcode Scanner	1

**NOTE:** These tools **CANNOT** be ordered through the parts or tools system. There is a very limited supply of tools, but if additional tools are needed, contact your regional representative.

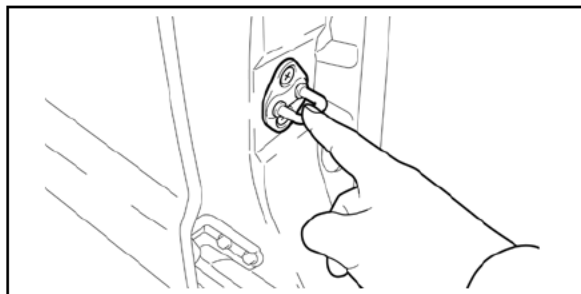
## V. SAFETY PRECAUTIONS



### CRITICAL INFORMATION – READ THOROUGHLY

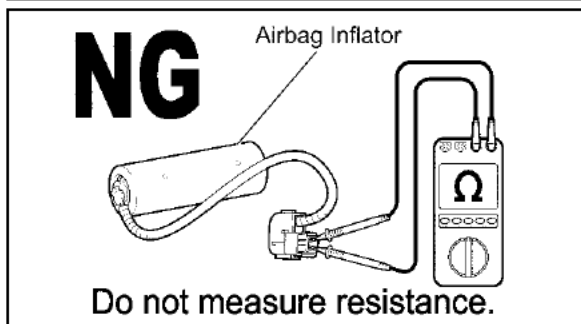


Failure to follow these procedures correctly could cause the SRS to unexpectedly deploy during servicing or the SRS may fail to operate correctly when required after reassembly. Confirm all work is performed as described in these instructions.



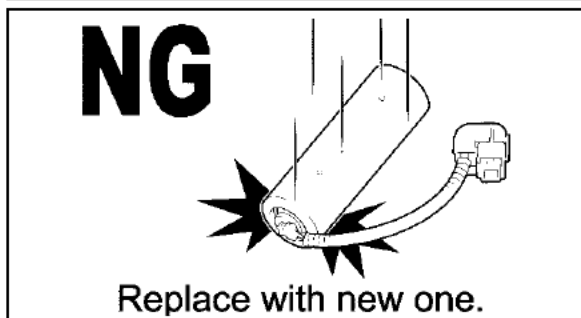
#### 1. ELIMINATE STATIC ELECTRICITY

- a) Before starting work and periodically while working on the vehicle, touch a metallic part of the vehicle to discharge static electricity in the body.



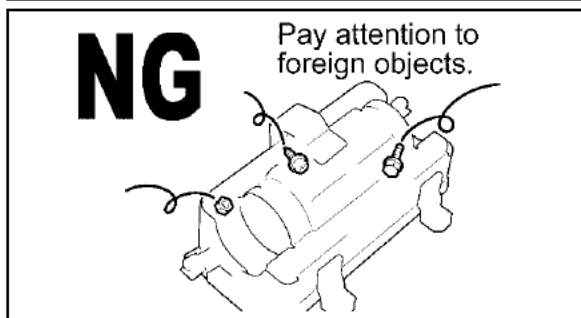
#### 2. DO NOT MEASURE RESISTANCE

- a) **DO NOT** measure resistance of airbag components, this may cause accidental activation.



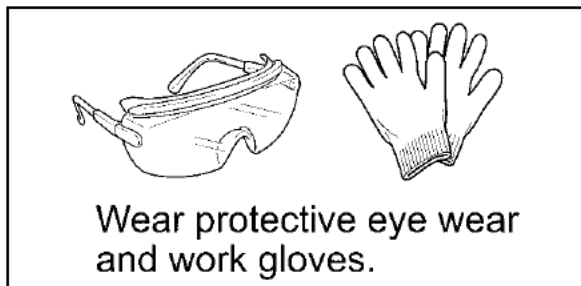
#### 3. HANDLE THE AIRBAG CAREFULLY

- a) If an inflator is dropped, replace it with a **NEW** inflator.



#### 4. DO NOT ALLOW FOREIGN OBJECTS NEAR AIRBAG

- a) Be sure to collect and account for all removed nuts/bolts to prevent them from landing in the airbag assembly.
- b) Any foreign objects in the airbag assembly may cause damage or injury if the airbag is activated.



#### 5. WEAR PROTECTIVE EQUIPMENT

- a) Always wear appropriate protective equipment when working on the SRS.



## VII. WORK AREA PREPARATION

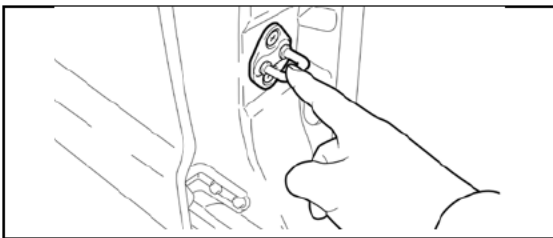
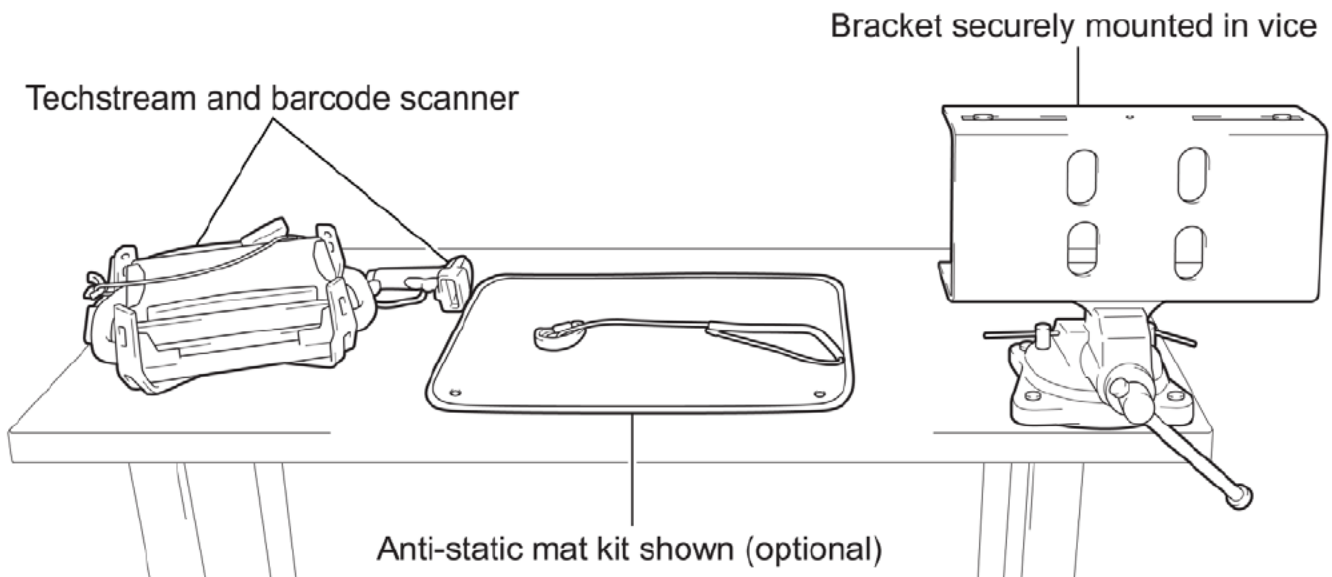
STOP

### CRITICAL INFORMATION – READ THOROUGHLY

STOP

The bracket assembly that was provided at the launch of SSC D0F is a critical added-safety feature that **MUST** be used when replacing the inflator module. Confirm the bracket assembly is installed securely in the vise and confirm the work area being used is appropriate. The anti-static mat set that is an essential SST may be available at your dealership and is optional to use during inflator replacement. If the anti-static kit is not available, before starting work and periodically while working on the vehicle, touch a metallic part of the vehicle to discharge static electricity in the body.

Confirm there are no loose objects or people exposed to the back side of the bracket for safety in the unlikely event of airbag deployment due to improper work procedures (Remember that the inflator **IS NOT** being replaced due to an inadvertent deployment concern).



If the anti-static kit is not available, before starting work and periodically while working on the vehicle, touch a metallic part of the vehicle to discharge static electricity in the body.

## VIII. PASSENGER AIRBAG INFLATOR REPLACEMENT

### 1. LAUNCH THE SERIAL NUMBER RECORDING APPLICATION

#### Video Supplement: Serial Number Recording



- The AIRBAG ASSEMBLY, ORIGINAL INFLATOR, and NEW INFLATOR serial numbers MUST be recorded using the barcode scanner (provided at the launch of SSC D0F).
- The barcode scanner application MUST be completed on every vehicle. These numbers MUST be included on every warranty claim that is submitted for inflator module replacement or the claim may be subject to debit.
- The technician performing the work MUST have valid TIS login credentials and an internet connection to perform the inspection and scanning process.

- Log in to TIS and input the VIN of the vehicle in the Vehicle Inquiry tab.
- Confirm the VIN is applicable and that the campaign has not been completed.
- Click on the link to launch the serial number recording application.

**Note:** The Serial Number Recording Application is the same as the DSF application, so the screens will still indicate campaign DSF.

The screenshot shows the Toyota TIS interface. At the top, there are navigation tabs: Home, TIS, TAS, PRS, QAT. Below that, there are sub-tabs: Library, Diagnostics, Tech Assistance, and Vehicle Inquiry. The 'Vehicle Inquiry' tab is active, showing a 'Vehicle Identification Number Search' section with a text input field containing the VIN '1NX-BR32E-000000000'. Below this is a 'Vehicle Information' section with various details like Division (TOYOTA), Model (Corolla), Grade (CE), Model Year (2003), Drive Type (2WD), Body Type (4Dr. Sedan), Engine Family (4-cylinder - 1ZZ), Transmission, Date of First Use, Production Date (01/18/2002), Plant Code (Z - FREMONT PLANT - NUMMI), VIN (1NX-BR32E-000000000), Standard Equipment (Click here to display), Exterior Color (03MS, SANDRIFT METALLIC), Interior Color (FA41, FA41), Interior Trim Color (FA, \*), and Interior Fabric (F, \*). At the bottom, there is a 'Service Campaign' section with a 'Campaign Description' and a 'Completion Status' of 'Not Completed'. A link 'Check applicability for VIN' is visible next to the status.

- Reenter TIS password in the serial number recorder application.

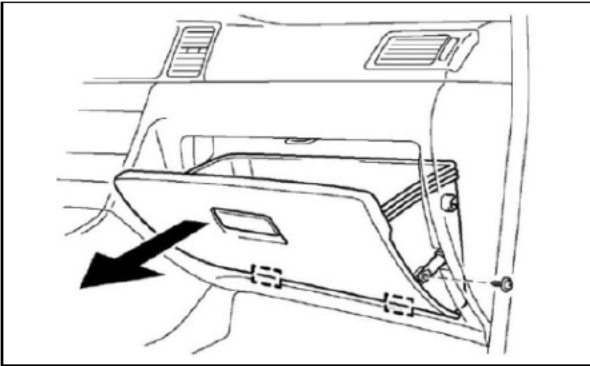
**NOTE:** The person logged-in to TIS **MUST** be the person performing the repair.

The screenshot shows the 'Front Passenger Airbag Inflator Module - Safety Recall' application. The page title is 'SSC - DSF'. It displays user information: User ID: Suzuki, Dealer Code, Time: 06/10/2014 02:07 PM PDT, Original Inflator Serial #: VIN: 1TD... (partially obscured), Technician Name: Russell Suzuki, Dealer Name, Airbag Serial #, and Replacement Inflator Serial #. There is a 'Mileage' input field circled in green. Below this is a table with columns: Task, Dealer, User, Time, Status. The table contains three rows of data, all with 'Not Started' status.

- Record the vehicle mileage into the serial number recording application.

#### **NOTE:**

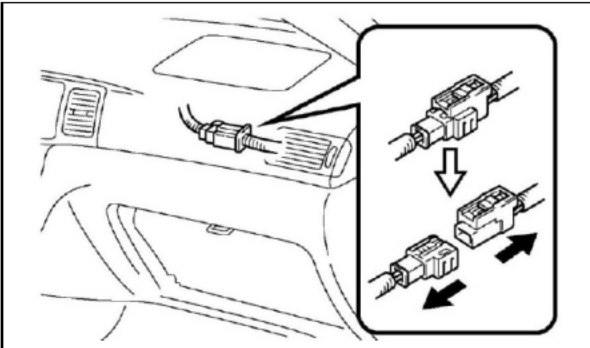
- A task status screen will populate next and at other intervals during the repair. This screen will indicate if the inflator was replaced or in some limited cases that the entire airbag assembly was replaced. Click 'next' to proceed to the next step. This information will be used for record keeping by TMS.
- If this screen indicates that the inflator has already been replaced on this VIN, there is no need to perform the campaign again.



## 2. REMOVE THE GLOVE BOX

- a) Remove the screw and disconnect the stopper sub-assembly.
- b) Completely remove the glove box from the dashboard.

## 3. REMOVE THE AIRBAG ASSEMBLY

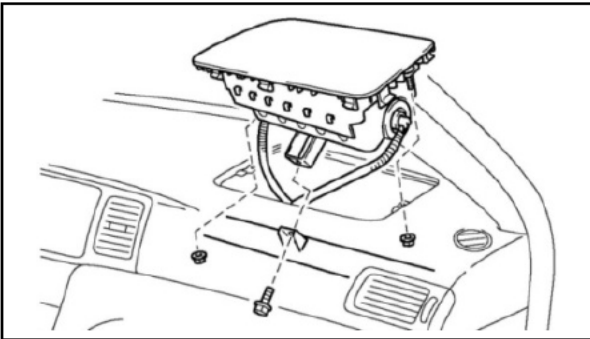


- a) Disconnect the negative battery cable.



- Wait at least 90 seconds after disconnecting the cable from the negative battery terminal to prevent airbag and seat belt pre-tensioner deployment.
- Follow all precautions as outlined on TIS before servicing the SRS system.

- b) Disconnect the airbag connector.



- c) Remove the bolt and 2 nuts and remove the airbag assembly.  
**NOTE:** Use caution to avoid scratching or damaging the dashboard assembly, place protective tape on the dashboard if needed.

## 4. CONNECT THE BARCODE SCANNER


- a) Connect the barcode scanner to the USB port on the Techstream.
- b) The scanner will automatically connect and a beep will be heard when the scanner is ready.

### NOTE:

- The scanner was provided for SSC D0F.
- The scanner works best in low light conditions.
- Always hold the scanner directly in front of and parallel to the barcode label.

5. SCAN THE AIRBAG SERIAL NUMBER

# ATTENTION: This information is **CRITICAL**

<p>a) Scan the <b>AIRBAG ASSEMBLY</b> serial number 2 times.</p> <ol style="list-style-type: none"> <li>1) Confirm the cursor is in the first serial number box then scan the serial.</li> <li>2) Position the cursor in the second serial number box then scan the serial.</li> </ol> <p>b) Click next.</p> <p><b>NOTE:</b></p> <ul style="list-style-type: none"> <li>• If both serial numbers that are entered do not match, confirm and reenter.</li> <li>• If the serial number barcode will not scan, it can be entered manually.</li> </ul>	<div style="background-color: red; color: white; padding: 5px; text-align: center;"><b>AIRBAG SERIAL NUMBER IDENTIFICATION</b></div> <ul style="list-style-type: none"> <li>• The airbag serial number is <b>ALWAYS</b> the <b>12 DIGITS</b> located <b>BETWEEN</b> the asterisks.</li> <li>• The 3 digits before the asterisk <b>ARE NOT</b> part of the serial number, and <b>SHOULD NOT</b> be entered or an inaccurate response may be returned.</li> </ul> <p style="text-align: center;"><b>Airbag Serial Number Label Example</b></p> <div style="border: 1px solid black; padding: 10px; text-align: center;">  <p style="font-size: 1.2em; font-weight: bold;">F22 *00000000XX*</p> </div>
--	---

**STOP** The **AIRBAG ASSEMBLY** serial number and the **INFLATOR** serial number are **DIFFERENT**. The **AIRBAG ASSEMBLY** serial number **MUST** be recorded prior to replacement.

Front Passenger Airbag Inflator Module - Safety Recall  
SSC - E04

User ID: \_\_\_\_\_

Dealer Code: \_\_\_\_\_

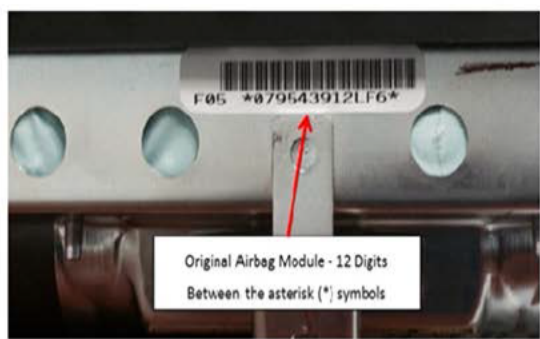
Time: 03/30/2015 05:15 AM PDT

Technician Name: \_\_\_\_\_

Dealer Name: \_\_\_\_\_

VIN: [2004 Corolla SUPER WHITE]

1 2 3 4 5



Original Airbag Module - 12 Digits  
Between the asterisk (\*) symbols

Record Airbag Serial Number

Use of a barcode scanner is strongly recommended when entering Airbag Assembly Serial Number.  
If manually typing serial number, you **MUST** include all leading zeros. (if applicable)

\* Airbag Assembly Serial Number:

\* Reconfirm Airbag Assembly Serial Number:

If original Airbag Assembly serial number is not visible or missing, check this box

Clear Next

(\*) - Indicates Required Field(s)

## AIRBAG SERIAL NUMBER IS MISSING OR IS UNREADABLE



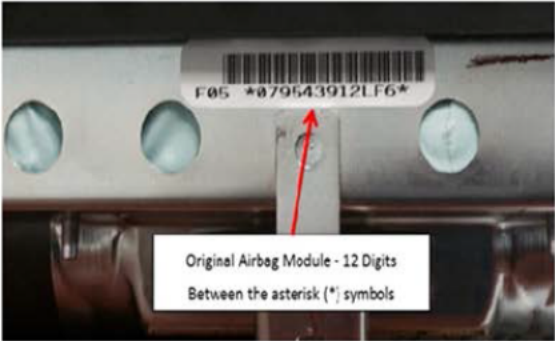
If the airbag serial number and barcode are not legible or are not present, check the box in the application indicating the serial number is not legible and contact your regional representative.

a) If the airbag serial number cannot be scanned or is not present check the box as shown below.

T3 - Google Chrome  
t3qa.tms.toyota.com/t3Portal/portlets/tis/airBag/AirBagController.portlet?...  
**Front Passenger Airbag Inflator Module - Safety Recall**  
SSC - E04

1 2 3 4 5

User ID: \_\_\_\_\_ Technician Name: \_\_\_\_\_  
Dealer Code: \_\_\_\_\_ Dealer Name: \_\_\_\_\_  
Time: 03/30/2015 05:15 AM PDT VIN: [2004 Corolla SUPER WHITE]



Original Airbag Module - 12 Digits  
Between the asterisk (\*) symbols

Record Airbag Serial Number

How to Identify an Airbag module Assembly number?  
The Airbag module Assembly serial number is a 12 digit code. It can be found along with a bar code on opening the Airbag assembly unit. To manually enter these details into the application, the technician has to identify the 12 digit code between two Asterisks (\*) inside the Airbag assembly unit. The first seven characters of this 12 digit code are numbers and the 10<sup>th</sup> digit is either 'K' or 'L' always.

Use of a barcode scanner is strongly recommended when entering Airbag Assembly Serial Number.  
If manually typing serial number, you MUST include all leading zeros. (If applicable)

\* Airbag Assembly Serial Number:   
\* Reconfirm Airbag Assembly Serial Number:

If original Airbag Assembly serial number is not visible or missing, check this box

Clear Next

(\*) - Indicates Required Field(s)

**Checking this box requires Air Bag Assembly replacement.**

**\*\*Note\*\* Contact your region in the event that you are unable to read the serial number.**

**DO NOT ATTEMPT TO INSTALL INFLATOR**

b) After the Region approves the Airbag Assembly replacement and the new part is received, scan the NEW airbag barcode in the Serial Number Recording Application.

T3 :: Google Chrome  
t3qa.tms.toyota.com/t3Portal/portlets/tis/airBag/AirBagController.portlet?...nfpb=true&\_windowLabel=StandalonePortlet&StandalonePortlet\_actionOverride=%2Fportlets%2Ftis%2F


## Front Passenger Airbag Inflator Module - Safety Recall

### SSC - E04

1 2 3 4 5

**User ID:** \_\_\_\_\_ **Technician Name:** \_\_\_\_\_  
**Dealer Code:** \_\_\_\_\_ **Dealer Name:** \_\_\_\_\_

**Time:** 03/30/2015 05:15 AM PDT **VIN:** [2004 Corolla SUPER WHITE]



**Record Airbag Serial Number**

[How to Identify an Airbag module Assembly number?](#)

The Airbag module Assembly serial number is a **12 digit code**. It can be found along with a bar code on opening the Airbag assembly unit. To manually enter these details into the application, the technician has to identify the 12 digit code between two Asterisks (\*) inside the Airbag assembly unit. The first seven characters of this 12 digit code are numbers and the 10<sup>th</sup> digit is either 'K' or 'L' always.

**Use of a barcode scanner is strongly recommended when entering Airbag Assembly Serial Number.**

**If manually typing serial number, you MUST include all leading zeros. (If applicable)**

**\*New Airbag Assembly Serial Number:**

\* I agree to complete the safety recall's remaining technical instructions.  
 \* I agree to perform a vehicle Health Check with Techstream upon completion of the safety recall's technical instructions.

(\*) - Indicates Required Field(s) Next



The new **AIRBAG ASSEMBLY** serial number **MUST** be recorded prior to reinstallation to track the airbag assembly to the vehicle.

## IX. INFLATOR REPLACEMENT

### [Video Supplement: Inflator Replacement](#)

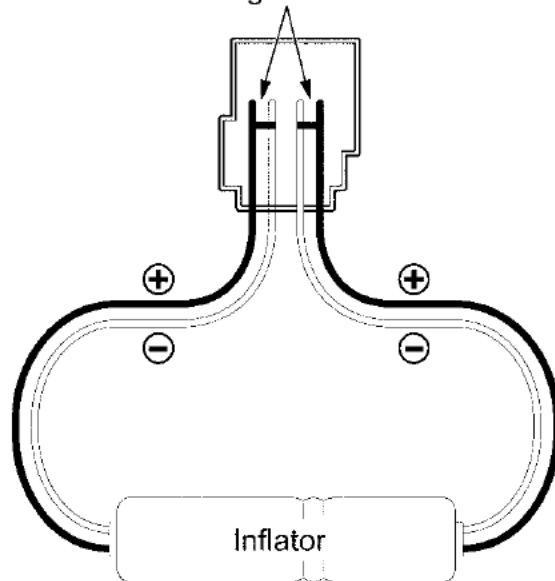
Note: The videos are the same videos as DSF and are intended to supplement the E04 TI.

## STOP CRITICAL INFORMATION – READ THOROUGHLY STOP

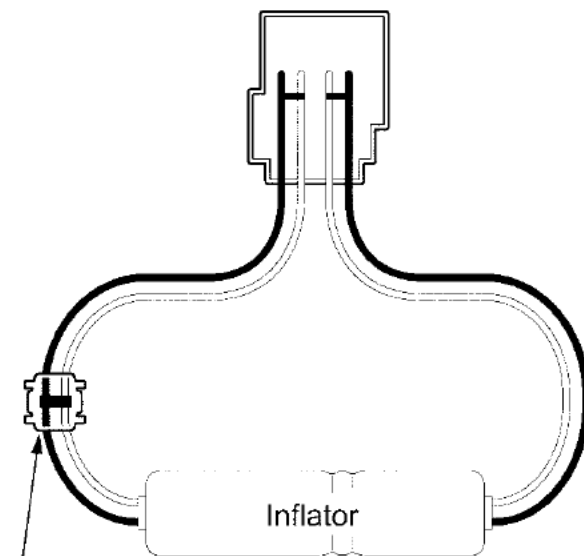
The connector of the inflator module contains a short circuiting mechanism to eliminate voltage variances when the connector(1) is disconnected. To allow for the replacement of the inflator module, a new short circuit(2) **MUST** be created before cutting the wires(3) and removing the inflator. The following steps **MUST** be followed exactly as described to ensure the work is completed correctly and safely.

(1)

Short circuiting on both sides.

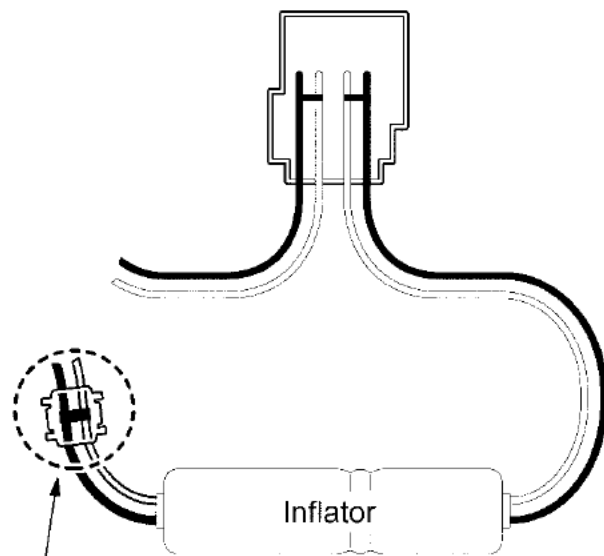


(2)



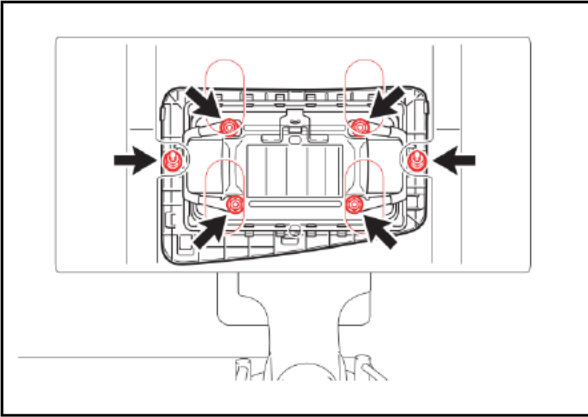
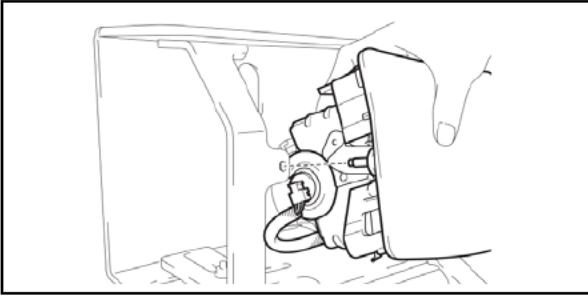
Create new short circuit using electro tap.

(3)



Short circuiting is maintained even after cutting harness.

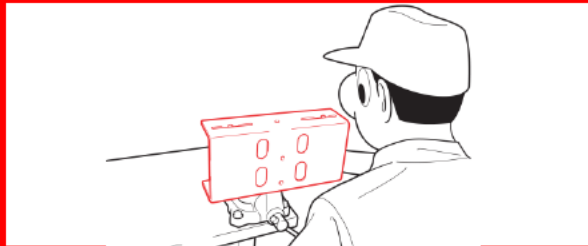
R1302250036E



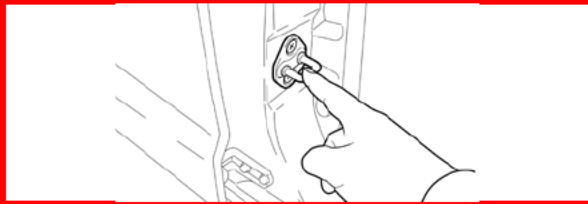
## 1. MOUNT THE AIRBAG IN THE MOUNTING BRACKET

- a) Position the two mounting studs on the airbag assembly into the holes on the bracket support bars.
- b) Install the airbag to the support bars with the nuts supplied in the bracket kit.
- c) Position the airbag so that all four stopper plate nuts can be removed through the access holes.
- d) Tighten the nuts holding the support bars to the mounting bracket.
- e) Confirm the following:
  - Mounting bracket is secure in the vise.
  - Airbag is secure in the support bars.
  - The center mounting bracket on the airbag assembly is facing upward.
  - Support bars are secure on the mounting bracket using 1 bolt/nut at the top of each support bar and 2 nuts/bolts at the bottom of each support bar.

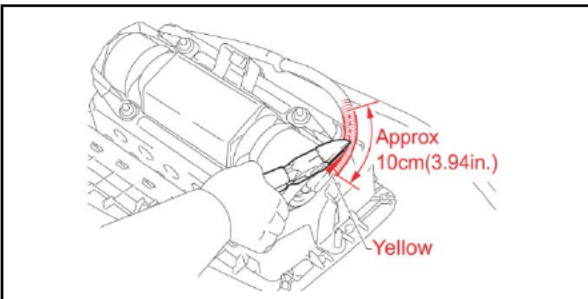
## STOP CRITICAL INFORMATION – READ THOROUGHLY STOP



**ALWAYS** keep as much of your body as possible in front of the bracket when working on the airbag assembly.



**Remember to periodically touch a metallic part of the vehicle to discharge static electricity in the body if the anti-static kit is not being used.**

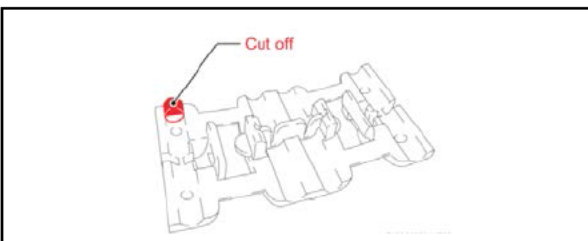


## 2. PREPARE TO INSTALL THE SHORT CIRCUIT

- a) Cut the yellow corrugated tube on the harness approximately 4 inches (10 cm) using nippers.



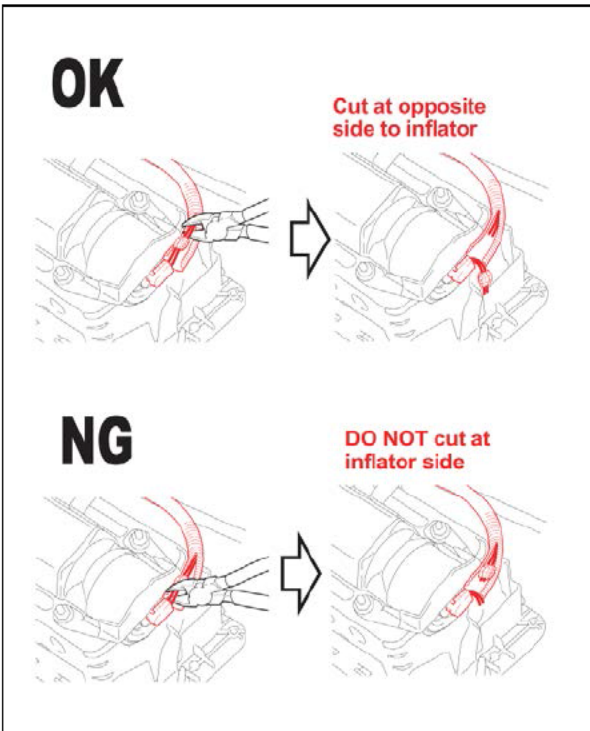
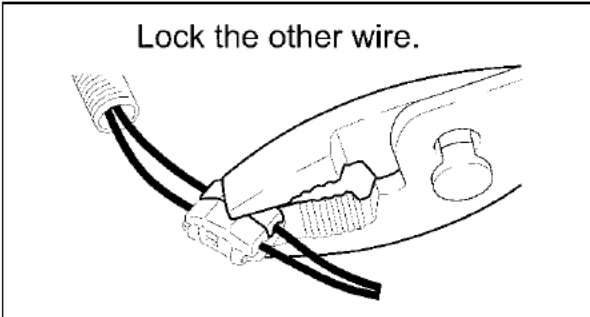
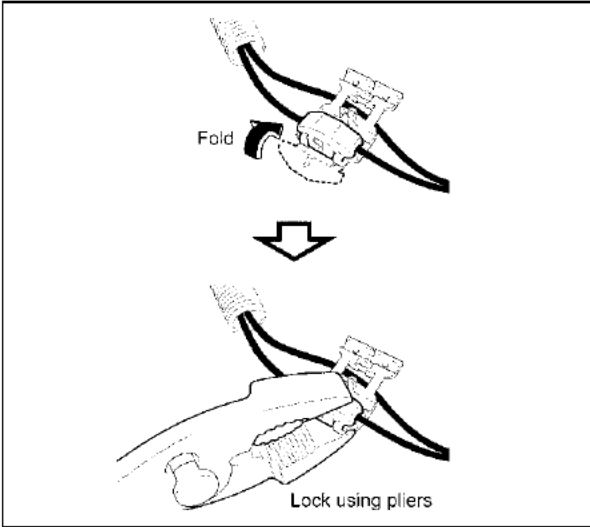
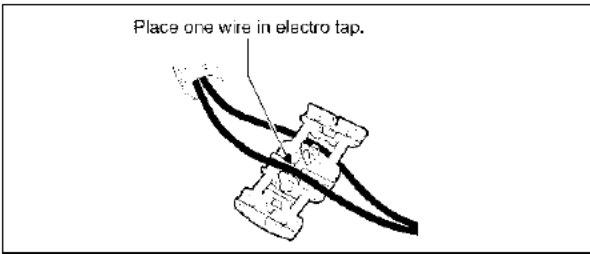
- **DO NOT** damage the wires in the tube.
- **DO NOT** use a knife or razor blade to cut the tube to avoid damaging the wires.
- This may be performed on either end of the inflator.



- b) Cut off the tab of the electro tap shown in the illustration.  
**NOTE: The electro tap is included in the inflator parts kit.**



**This tab *MUST* be removed to ensure a good short.**



### 3. CREATE A NEW SHORT CIRCUIT IN THE INFLATOR HARNESS

a) Place one wire in the electro tap as shown in the illustration.

b) Fold and pinch the half of the electro tap with the wire and use pliers to lock the electro tap.

**NOTE:**

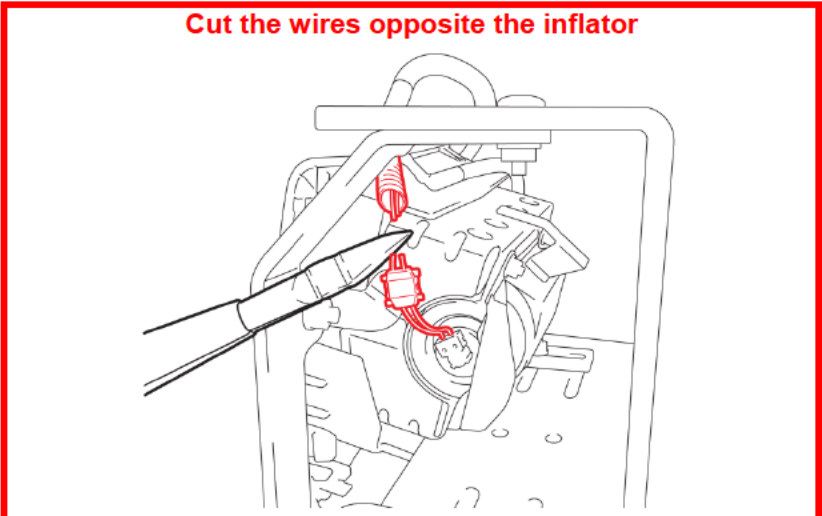
- **DO NOT** work on both wires at the same time to avoid errors.
- Pliers **MUST** be used to confirm the electro tap is firmly locked in place.

c) Set the other wire in the electro tap and lock it in place using pliers.

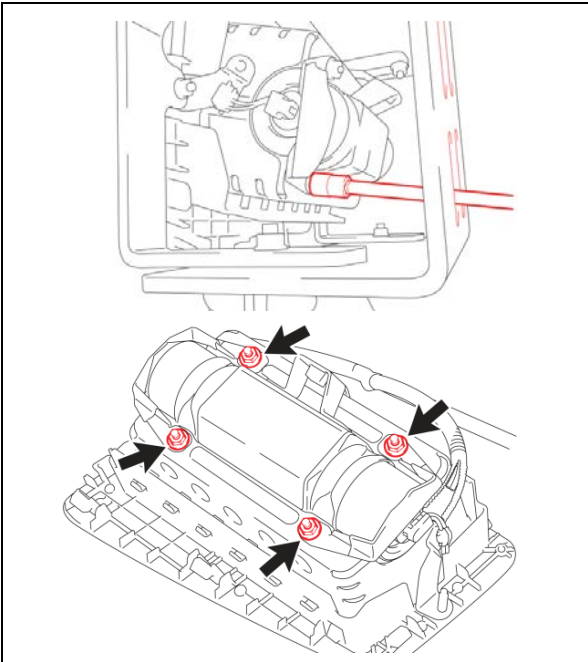
**STOP** DO NOT measure resistance of the inflator wires, this may cause accidental activation.

### 4. CUT THE INFLATOR WIRES

a) Cut the 2 wires at the side of the electro tap that is farthest away from the inflator.



**STOP** DO NOT measure resistance of the inflator wires, this may cause accidental activation.

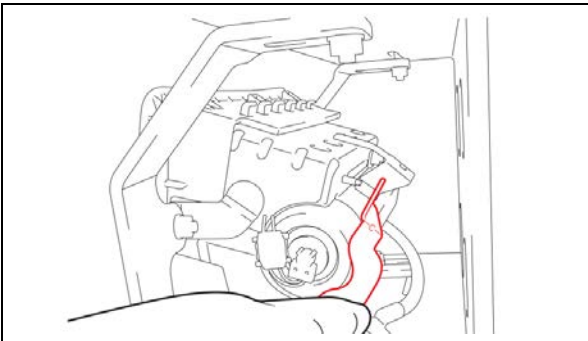


## 5. REMOVE THE SELF LOCKING NUTS

- a) Use the access holes in the bracket to remove the 4 nuts.

### NOTE:

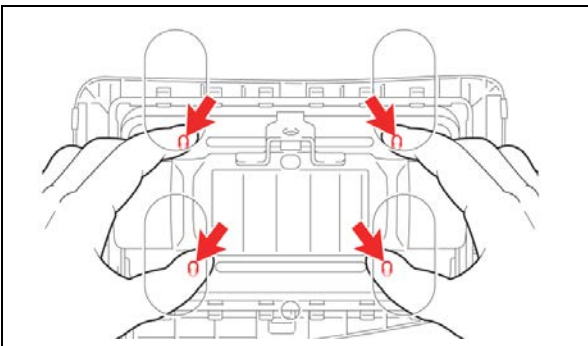
- **DO NOT** use power tools.
- The bracket support bars may need to be repositioned to remove the nuts through the access holes.



- b) Remove the stopper plates.

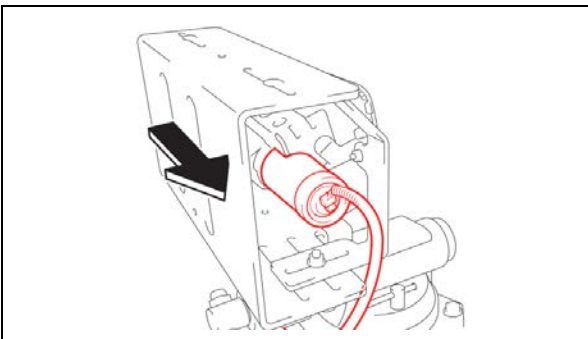
- c) Discard the 4 nuts and 2 stopper plates as they are not to be reused.

**NOTE: DO NOT** reuse the old nuts, new nuts **MUST** be used.



## 6. REMOVE THE INFLATOR

- a) Gently push in the 4 studs to loosen the inflator for removal.



- b) Remove the inflator from the airbag assembly and place it on a safe work surface.



**ENSURE YOU ENTER BOTH THE OLD AND NEW INFLATOR SERIAL NUMBERS IN THE APPROPRIATE SPOT OF THE APPLICATION  
-DO NOT ENTER THE AIRBAG SERIAL NUMBER FOR THIS STEP-**



**7. SCAN THE OLD AND NEW INFLATOR SERIAL NUMBER**

- a) Scan the **OLD** inflator serial number and mark the old inflator so that it will not be reused.
- b) Scan the **NEW** inflator serial number.

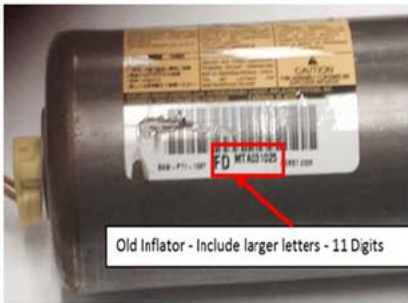
**ATTENTION: This information is CRITICAL**

- It is used to confirm the correct inflator is removed from the vehicle.
- It is recorded by TMS to trace the return parts shipment.
- It is used to track the new inflator that is being installed in the vehicle.

T3 - Google Chrome  
 t3qatms.toyota.com/t3Portal/portlets/tis/airBag/AirBagController.portlet?...  
**Front Passenger Airbag Inflator Module - Safety Recall**  
 SSC - E04


User ID: \_\_\_\_\_ Technician Name: \_\_\_\_\_  
 Dealer Code: \_\_\_\_\_ Dealer Name: \_\_\_\_\_  
 Time: 03/30/2015 05:17 AM PDT VIN: 04 Corolla SUPER WHITE] Airbag Serial #: \*\*\*\*\*12

**Original Inflator**



Old Inflator - Include larger letters - 11 Digits

**Replacement Inflator**



Replacement Inflator - Include larger letters - 11 Digits

*How to Identify the Inflator serial code on the Original and Replacement Inflator can?*

The Inflator serial code is an 11 digit code on the Inflator can. It can be found with a bar code on removing the Inflator can from the Airbag Assembly unit.

The first two characters of the **Original inflator Serial code** will be from [AA, AB, AJ, FD or JD].

The first two characters of the **Replacement Inflator Serial code** will be either 'LT' or 'LR'.

Inflator Module replacement IS REQUIRED on all vehicles under the Safety Recall. Follow the technical instructions and acknowledge the following statements.

**If manually typing serial number, you MUST include all leading zeros. (If applicable)**

Original Inflator Serial #:

If old inflator serial number is not visible or missing, check this box.

\* Replacement Inflator Serial #:

If you have a concern with the inflator serial numbers, please email [quality\\_compliance@toyota.com](mailto:quality_compliance@toyota.com) with details.

\* I agree to complete the safety recall's remaining technical instructions.


\* I agree to perform a vehicle Health Check with Techstream upon completion of the safety recall's technical instructions.


(\*) - Indicates Required Field(s)

c) If the inflator serial number cannot be scanned or is not present check the box as shown below.

T3 - Google Chrome  
t3qa.tms.toyota.com/t3Portal/portlets/tis/airBag/AirBagController.portlet?...  
**Front Passenger Airbag Inflator Module - Safety Recall**  
SSC - E04

User ID: \_\_\_\_\_ Technician Name: (1) (2) (3) (4) (5)  
Dealer Code: \_\_\_\_\_ Dealer Name: \_\_\_\_\_  
Time: 03/30/2015 05:17 AM PDT VIN: ]04 Corolla SUPER WHITE] Airbag Serial #: \*\*\*\*\*12

**Original Inflator**  
  
Old Inflator - Include larger letters - 11 Digits

**Replacement Inflator**  
  
Replacement Inflator - Include larger letters - 11 Digits

How to Identify the Inflator serial code on the Original and Replacement Inflator can?  
The Inflator serial code is an 11 digit code on the Inflator can. It can be found with a bar code on removing the Inflator can from the Airbag Assembly unit.  
The first two characters of the Original Inflator Serial code will be from [AA, AB, AJ, FD or JD].  
The first two characters of the Replacement Inflator Serial code will be either 'LT' or 'LR'.

Inflator Module replacement IS REQUIRED on all vehicles under the Safety Recall. Follow the technical instructions and acknowledge the following statements.  
**If manually typing serial number, you MUST include all leading zeros. (If applicable)**  
Original Inflator Serial #:   
If old inflator serial number is not visible or missing, check this box   
\* Replacement Inflator Serial #:   
**If you have a concern with the inflator serial numbers, please email quality\_compliance@toyota.com with details.**  
 \* I agree to complete the safety recall's remaining technical instructions.  
 \* I agree to perform a vehicle Health Check with Techstream upon completion of the safety recall's technical instructions.  
(\* - Indicates Required Field(s))

Back Clear Submit

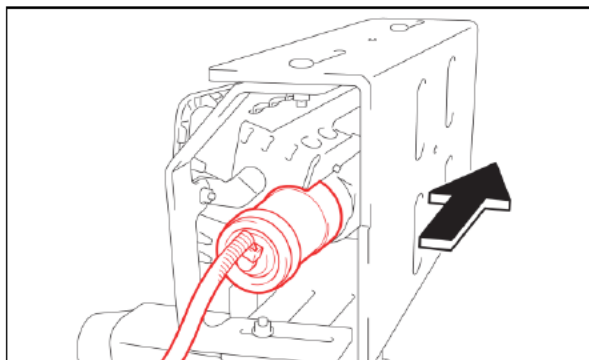
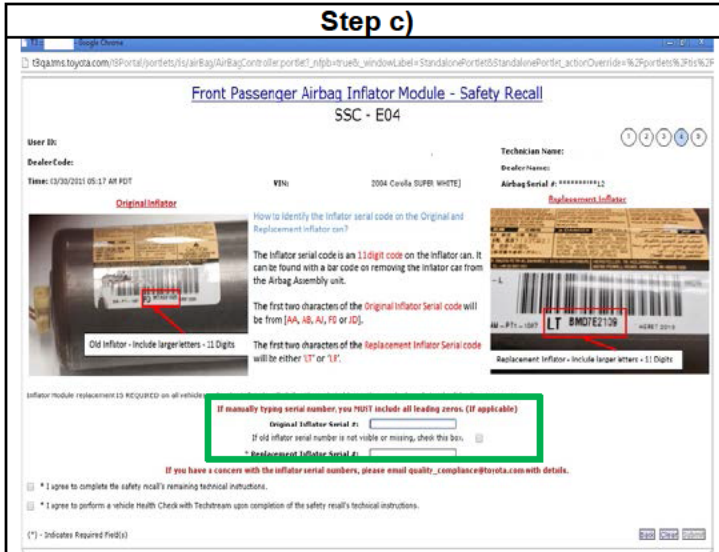
**Checking this box requires Air Bag Assembly replacement.**  
**\*\*Note\*\* Contact your region in the event that you are unable to read the serial number.**  
**DO NOT ATTEMPT TO INSTALL INFLATOR**

**NOTE: The NEW AIRBAG ASSEMBLY serial number MUST be scanned prior to reinstallation to track the airbag assembly to the vehicle (refer to page 13).**

- d) Confirm agreement by checking the two boxes.
- e) Record the Warranty Authorization # to be included in the warranty claim.
- f) Place the old inflator in the parts box and take it immediately to the parts department.


**NOTE:**

- Confirm the cursor is in the correct serial number input box before scanning.
- If the serial number barcode will not scan, it can be entered manually.
- If there are any difficulties or concerns with this process, email [quality\\_compliance@toyota.com](mailto:quality_compliance@toyota.com) with details.

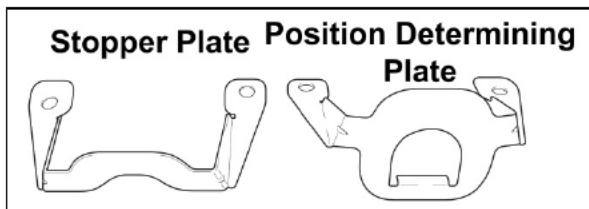


**8. INSTALL THE NEW INFLATOR**

- a) Carefully slide the new inflator into the airbag assembly.

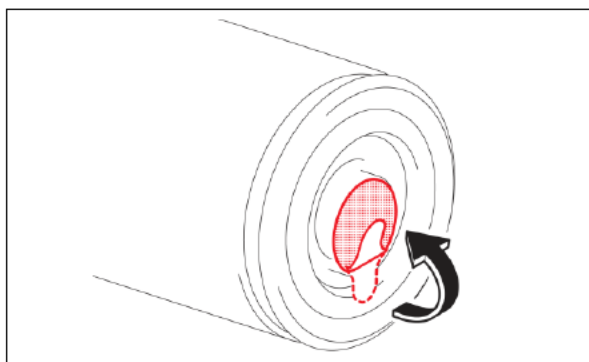


- **DO NOT** connect the inflator harness at this time. It is **CRITICAL** to install the plates first to confirm the inflator is installed in the correct position before connecting the harness.



**9. CONFIRM THE NEW PLATES**

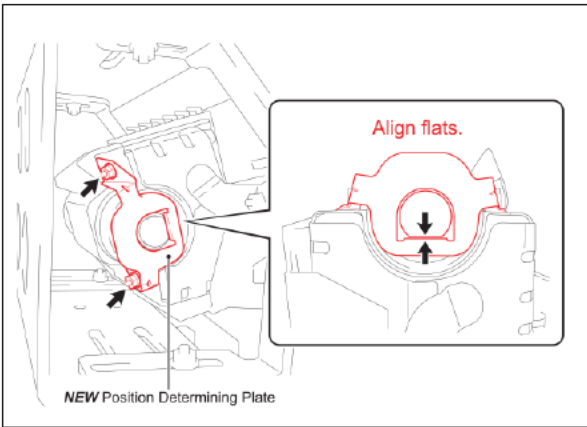
- a) Confirm the identification of the stopper plate and the position determining plate, **THEY ARE DIFFERENT.**



**10. FOLD THE CONNECTOR SEAL**

- a) Fold the seal in order to prevent it from being caught under the position determining plate in the next step.

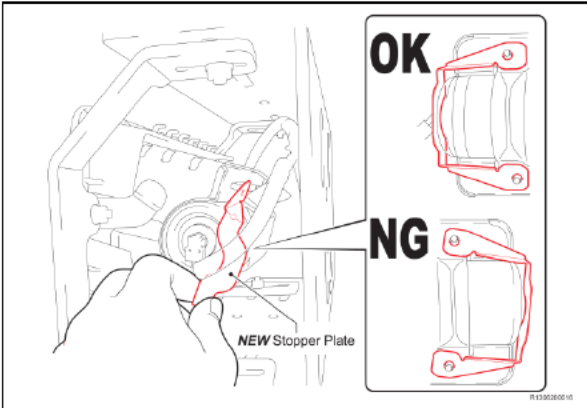
**NOTE: DO NOT** fully remove the seal until just before connecting the harness.



### 11. INSTALL THE NEW POSITION DETERMINING PLATE

- a) Place the **NEW** position determining plate on the airbag assembly on the side with the connector seal.
- b) Install **NEW** nuts by hand.

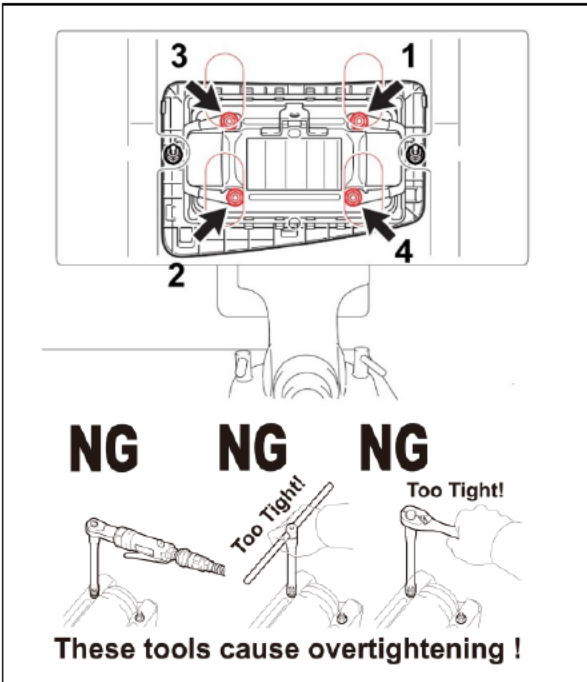
- Confirm the flats on the position determining plate and inflator are aligned.
- DO NOT** pinch the harness between the inflator and the plate.



### 12. LOOSELY INSTALL A NEW STOPPER PLATE.

- a) Place the **NEW** stopper plate on the airbag assembly on the side where the harness is already connected.
- b) Confirm the end of the inflator sits flat against the stopper plate. If they do not align the inflator is installed backward.
- c) Install **NEW** stopper plate nuts by hand. They will be torqued on a later step.

- Confirm the stopper plate to inflator fitment is correct.
- DO NOT** pinch the harness between the inflator and the stopper plate.

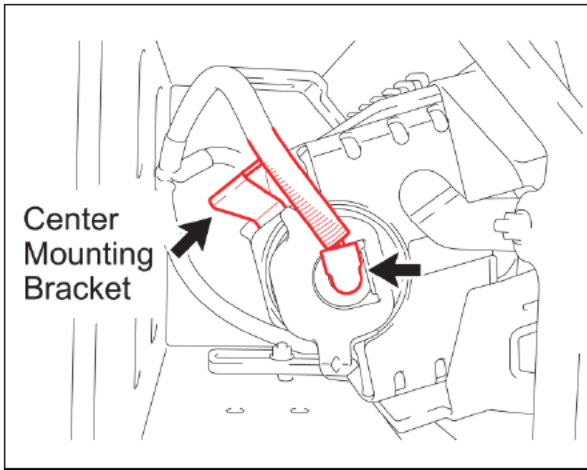


### 13. TORQUE THE PLATE NUTS

- a) Tighten the nuts evenly in two increments following the sequence shown in the illustration. Use a socket driver or torque wrench to tighten the nuts.

**Torque: 35in. lbf (3.9N·m)**

- There will be some resistance when tightening the nuts because they are self-locking, confirm the nuts are tightened correctly.
- DO NOT** use a power tool, T-handle, or ratchet when tightening the nuts to avoid over torquing.

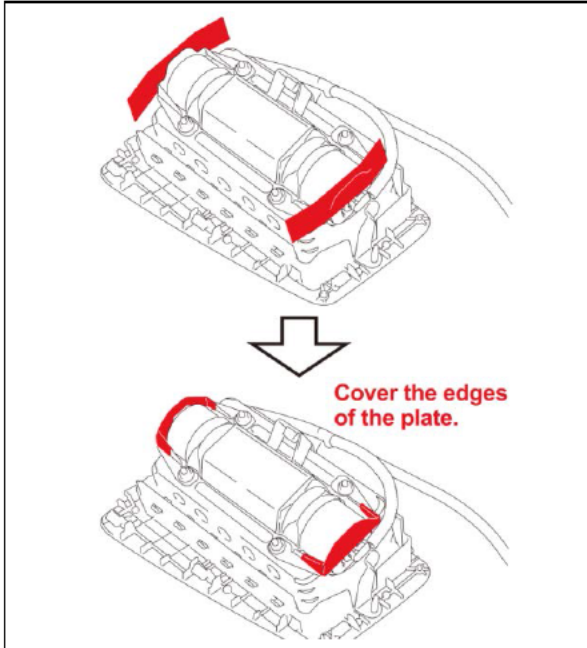


#### 14. CONNECT THE INFLATOR CONNECTOR

- a) Remove the connector seal from the inflator.
- b) Confirm the alignment of the harness connector as shown in the illustration, then connect the harness. The connector wires should lead toward the center mounting bracket on the airbag assembly.



- The connector should be connected **IMMEDIATELY** after removing the seal.
- The connector is one-way, once it is installed it **CANNOT** be removed.
- If the connector is installed in the incorrect orientation the terminals may be bent or the connector may not fully engage.

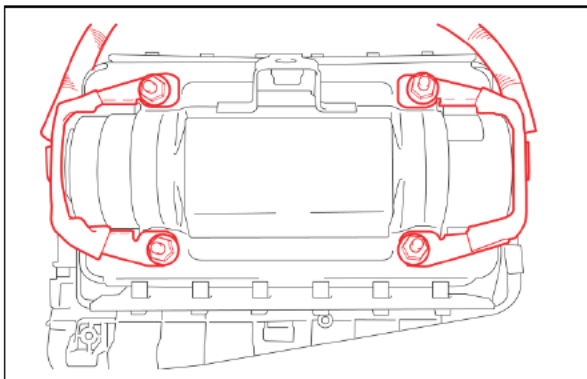


#### 15. REMOVE THE AIRBAG ASSEMBLY FROM THE BRACKET

- a) Remove the two nuts and the airbag assembly, then place the assembly on a cloth or the anti-static mat if it being used.

#### 16. ATTACH THE FELT TAPE

- a) Attach the felt tape to the edges of the stopper and position determining plate.



#### 17. INSPECT THE AIRBAG BEFORE INSTALLATION

- a) Confirm that the 4 **NEW** plate nuts are installed and tight.
- b) Confirm the **NEW** stopper and position determining plates are installed.
- c) Confirm the flats on the position determining plate and inflator are aligned.
- d) Confirm the orientation of the inflator wire harness.

## X. FRONT PASSENGER AIRBAG ASSEMBLY INSTALLATION

### 1. REINSTALL THE AIRBAG ASSEMBLY

**Note:** During reinstallation of the airbag assembly, ensure the 12mm bolt and two 10mm nuts securing the airbag assembly to the instrument panel are installed and torqued to the required specification identified on TIS.

- a) Refer to TIS for instructions on airbag installation:

Corolla [2003-2005MY](#) [2006MY](#) [2007MY](#) [2008MY](#)

2. RECONNECT THE NEGATIVE BATTERY CABLE
3. PERFORM A HEALTH CHECK AND DIAGNOSTIC REPORT

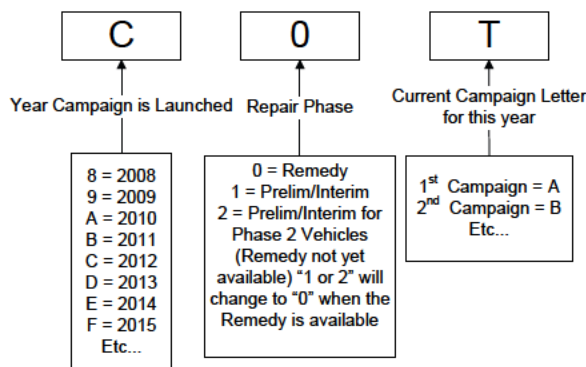
## ◀ VERIFY REPAIR QUALITY ▶

- Confirm all precautions are followed to ensure safety during the repair
- Confirm the entire serial number checker application is completed and the warranty authorization # is recorded on **EVERY** vehicle
- Confirm the old inflator is handled safely and given to the appropriate parts professional for shipment
- Confirm the inflator harness connector is fully engaged and that the stopper plate and position determining plate are installed correctly

If you have any questions regarding this update, please contact your regional representative.

## XI. APPENDIX

### A. CAMPAIGN DESIGNATION DECODER



### B. CAMPAIGN PARTS DISPOSAL

#### [Video Supplement: Parts Handling](#)

**ALL** inflators that are removed from vehicles under this campaign **MUST** be packaged and shipped back to the inflator manufacturer following the manufacturer's instructions. The instructions can be found in the following locations:

- Attached to the dealer letter
- Included in the parts box
- On the laminated aid that was provided at the launch of the campaign