

TECHNICAL INSTRUCTIONS
FOR
SAFETY RECALL DSB
(Supersedes the D0B campaign)
SRS ECU & SUB HARNESS (FILTER) INSTALLATION
2003 – 2004 MODEL YEAR COROLLA
UPDATED AUGUST 20, 2015

Updated 8/20/15

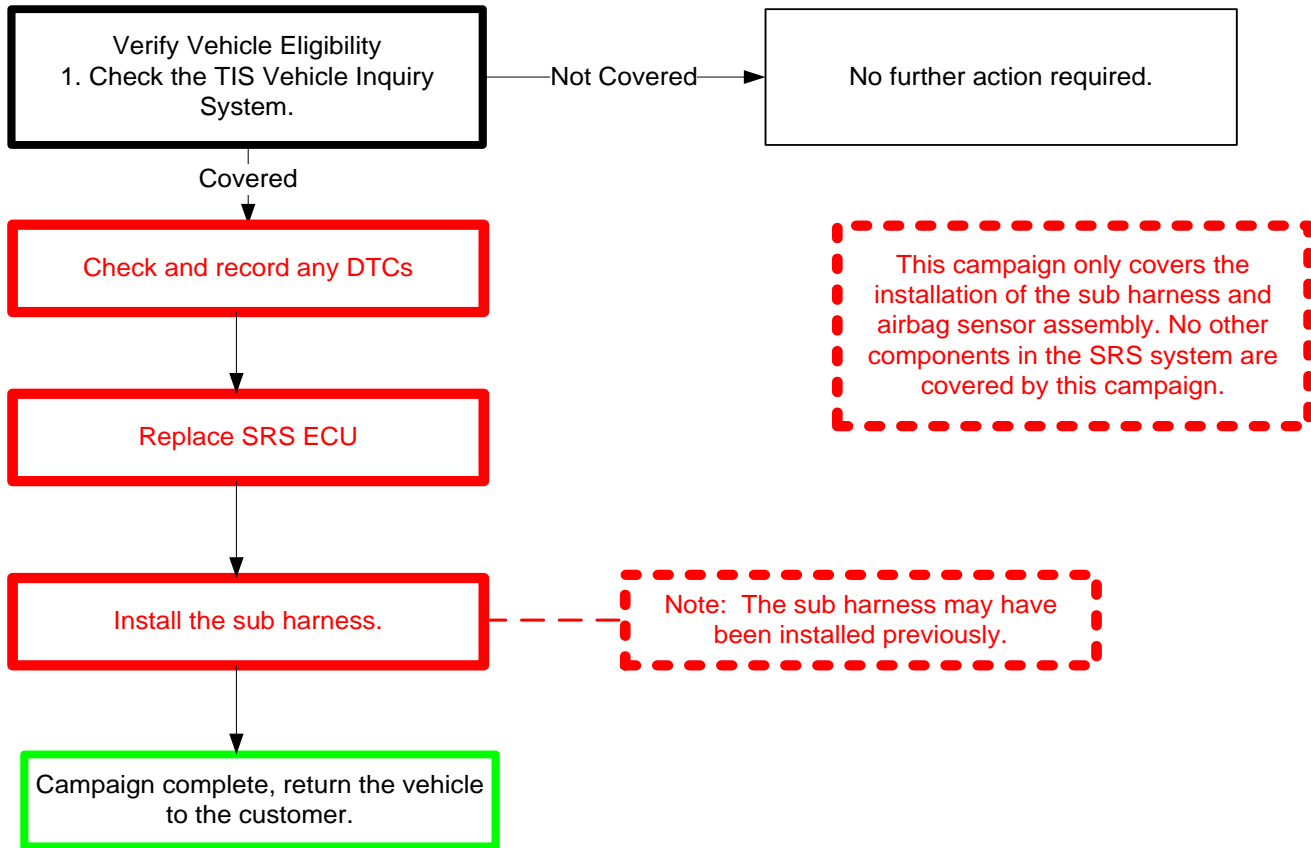
– The part numbers for the SRS ECU have been updated.

The repair quality of covered vehicles is extremely important to Toyota. All dealership technicians performing this procedure are required to successfully complete the most current version of the E-Learning course “Safety Recall and Service Campaign Essentials” To ensure that all vehicles have the repair performed correctly; technicians are required to currently hold at least one of the following certification levels to perform this operation:

- Toyota Expert Electrical
- Master
- Master Diagnostic Technicians

It is the dealership’s responsibility to select technicians with the above certification level or greater to perform this repair. Carefully review your resources, the technician skill level, and ability before assigning technicians to this repair. It is important to consider technician days off and vacation schedules to ensure there are properly trained technicians available to perform this repair at all times.

I. OPERATION FLOW CHART



II. IDENTIFICATION OF AFFECTED VEHICLES

A. INVOLVED VEHICLES

NOTE:

- Check the TIS Vehicle Inquiry System to confirm the VIN is involved in this Safety Recall, and that the campaign has not already been completed prior to dealer shipment or by another dealer.
- TMS warranty will not reimburse dealers for repairs conducted on vehicles that are not affected or were completed by another dealer.

III. PREPARATION

A. PARTS

Part Number	Part Description	Quantity
04002-66112	Airbag Harness Kit*	1
89170-02191 or 04005-02602	Airbag Sensor Assembly (Without Side Airbag)	1
89170-02201 or 04005-02702	Airbag Sensor Assembly (With Side Airbag)	1

* **Do Not Order** if Sub Harness was previously installed. Check vehicle Service History to confirm. The kit above includes the following parts.

-	Airbag sub harness	1
-	Water guard sheet	1
-	Cable tie	4*

*Only 2 cable ties are needed for the repair, 2 extra ties are also provided as supplements.

NOTE: If the Airbag Harness Kit has been previously installed, you will also need 2 cable ties and double sided tape.

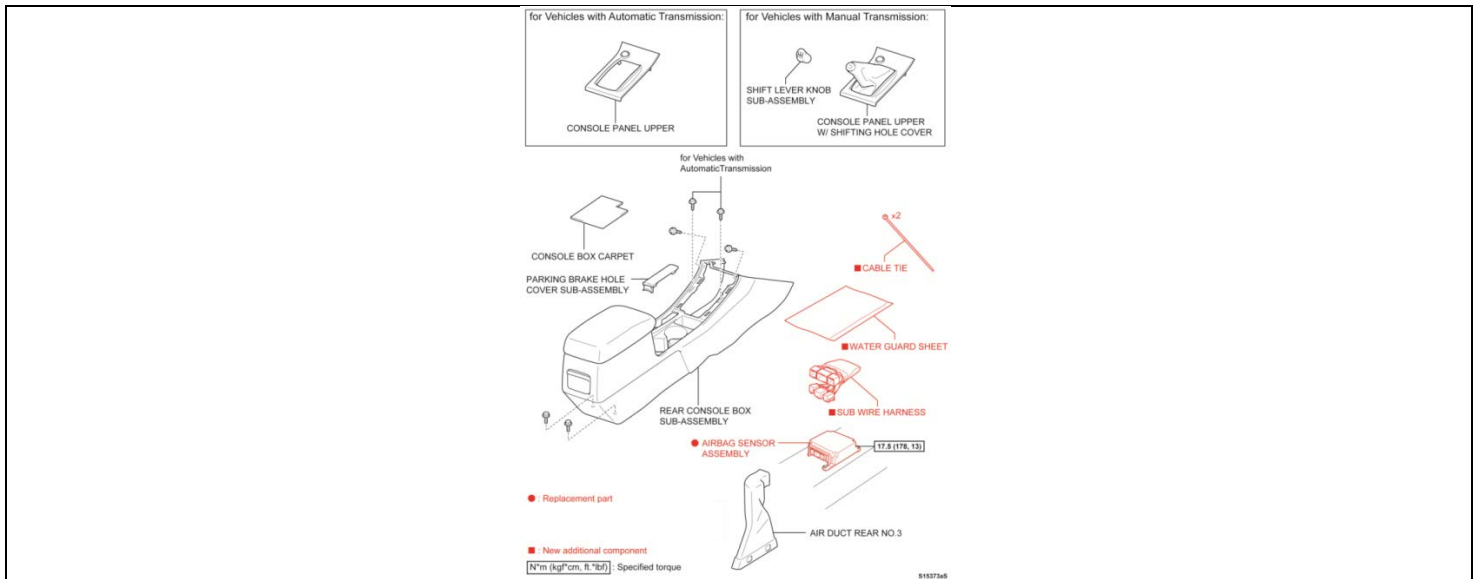
B. TOOLS & EQUIPMENT

- Standard hand tools
- Torque wrench
- Techstream
- Molding remover set
- Tape measure
- Vinyl tape

IV. BACKGROUND

The Electronic Control Module (ECM) for the Supplemental Restraint System (SRS) in these vehicles could have been manufactured with integrated circuits that are susceptible to internal short circuiting when exposed to certain electrical noise from various vehicle electrical components. If internal short circuiting occurs, the front airbag(s) and/or seat belt pre-tensioners could inadvertently deploy. An airbag that deploys inadvertently can, under some circumstances, increase the risk of minor injury and the possibility of a crash.

V. COMPONENTS



NOTE: The vehicle could have one of the following scenarios:

Current Status	Repair
No prior repair and DSB campaign shows not completed	Replace SRS ECU and install Airbag Harness Kit
Airbag Harness Kit previously installed under D0B	Replace SRS ECU

VI. WORK PROCEDURE

1. PREFORM A HEALTH CHECK

STOP This campaign only covers the installation of the sub harness and Airbag Sensor Assembly. No other components in the SRS system are covered by this campaign.

- a) Using Techstream, perform a health check to confirm if there are any DTCs present in the system (**Both current or history**).

NOTES:

- Ensure that the Techstream software is 9.2 or higher.
- On the “connect to vehicle” screen, enter the VIN number to ensure that the vehicle information is uploaded to TIS.
- A Health check must be performed on every vehicle. Record any DTCs as they are used to confirm the vehicles final state after repair and aid in any additional dicussions needed with the customer.

2. DISCONNECT THE NEGATIVE BATTERY TERMINAL



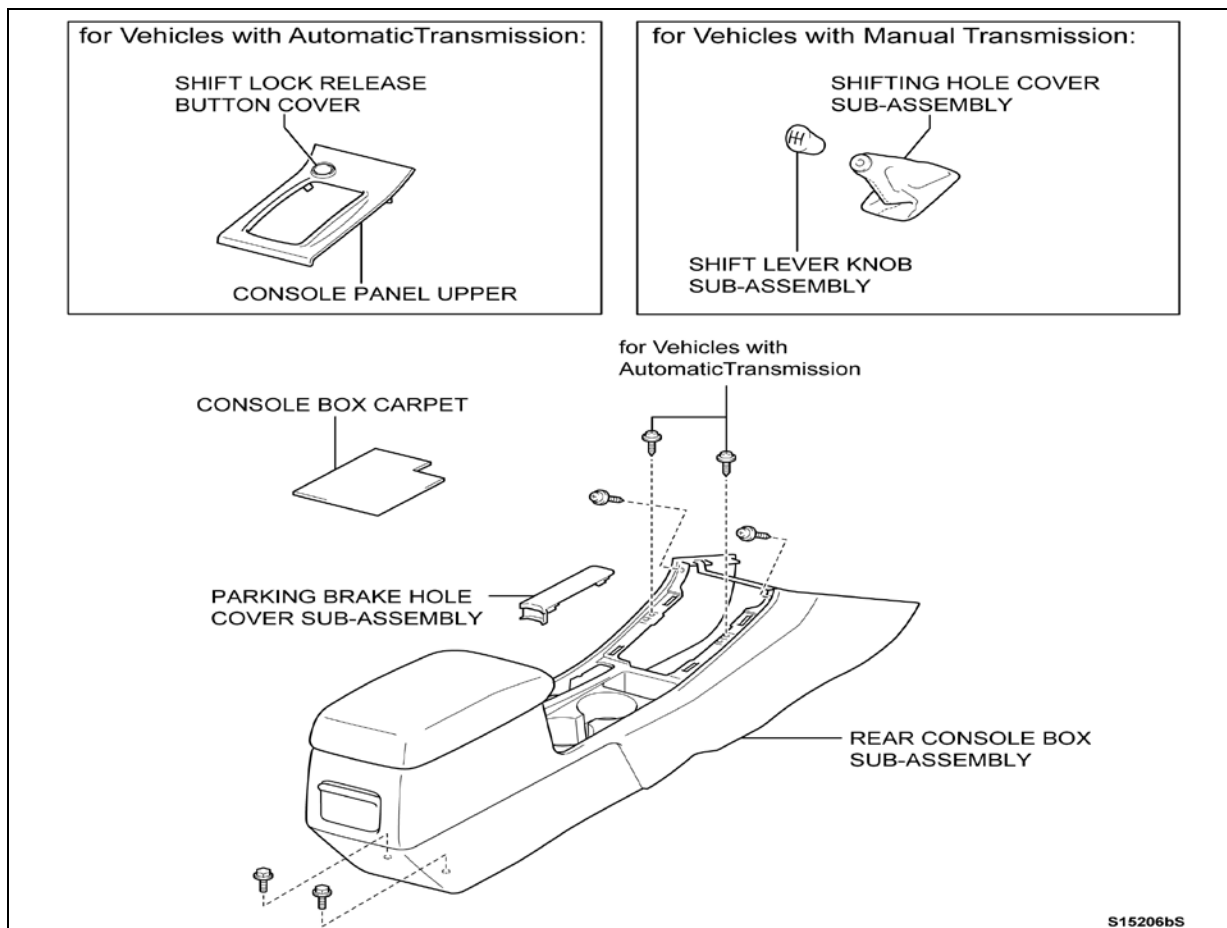
- Wait at least 90 seconds after disconnecting the cable from the negative battery terminal to prevent airbag and seat belt pre-tensioner deployment.
- Follow all precautions as outlined on TIS before servicing the SRS system.

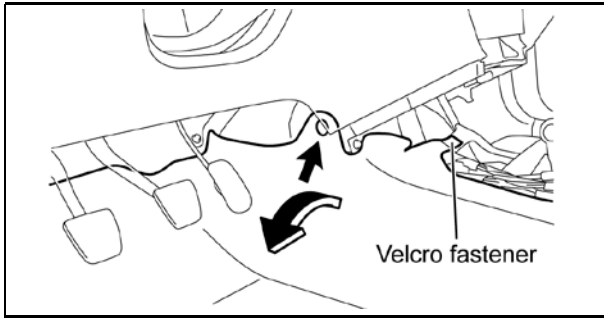
3. SET THE PARKING BRAKE

4. SLIDE THE DRIVER AND PASSENGER SEAT TO THE REARMOST POSITION

5. PERFORM THE FOLLOWING

- Remove the shift lock release button cover (*auto trans only*).
- Move the shift lever to the N position.
- Remove the parking brake hole cover sub-assembly.
- Remove the shift lever knob cover sub-assembly (*manual trans only*).
- Remove the shifting hole cover sub-assembly (*manual trans only*).
- Remove the console panel upper (*auto trans only*).
- Remove the console box carpet.
- Disconnect the auxiliary power outlet harness(s).
- Remove the screws then the console box.



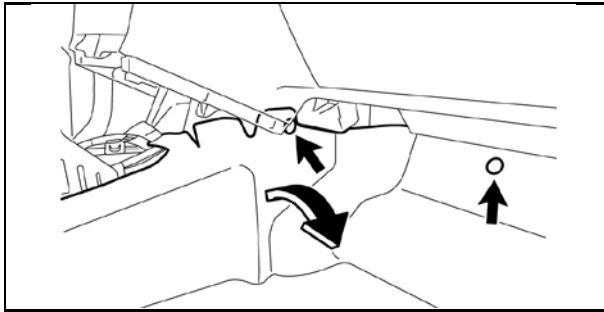


6. REMOVE THE FLOOR CARPET LH

- a) Unfasten the Velcro fastener.
- b) Remove the clip and pull back the floor carpet.

NOTE:

- Wear protective gloves.
- Remove the floor carpet enough to gain access to the airbag sensor.

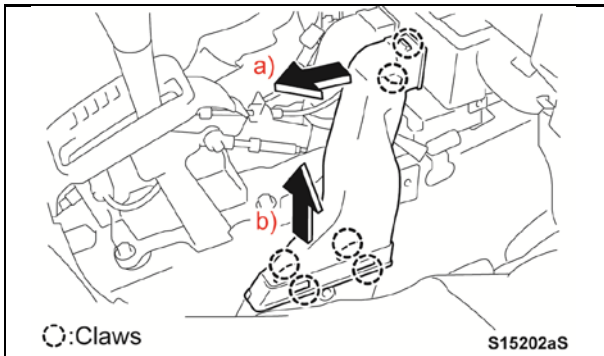


7. REMOVE THE FLOOR CARPET RH

- a) Remove the 2 clips and pull back the floor carpet.

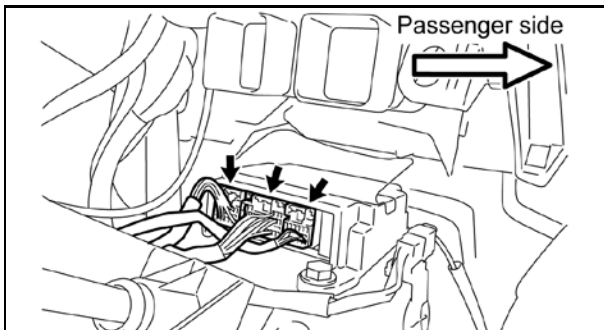
NOTE:

- Wear protective gloves.
- Remove the floor carpet enough to gain access to the airbag sensor.



8. REMOVE AIR DUCT REAR No. 3

- a) Pull the upper portion of the duct rearward to disengage the 2 upper claws.
- b) Pull the bottom portion of the duct upward to disengage the 4 claws and remove the duct.

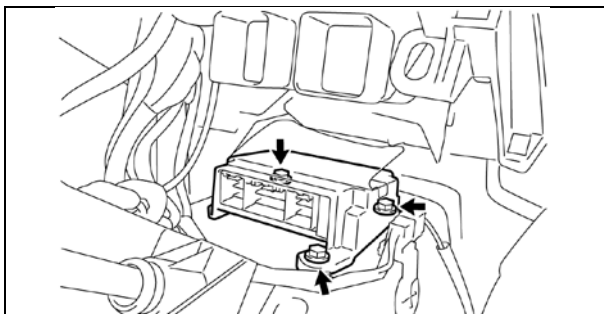


9. DISCONNECT THE AIRBAG SENSOR CONNECTORS

- a) Disconnect the 3 connectors.



Note: If a new Sub Harness was previously installed, cut the Tie Straps and carefully remove the Water Guard that was installed. The water guard will be reused.



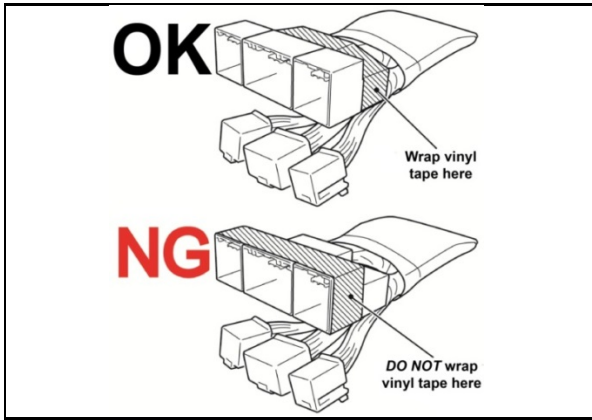
10. REPLACE THE AIRBAG SENSOR ASSEMBLY

- a) Remove the 3 bolts and the airbag sensor assembly.
- b) Install a **NEW** airbag sensor assembly

Torque: 13ft. lbf (17.5N·m)



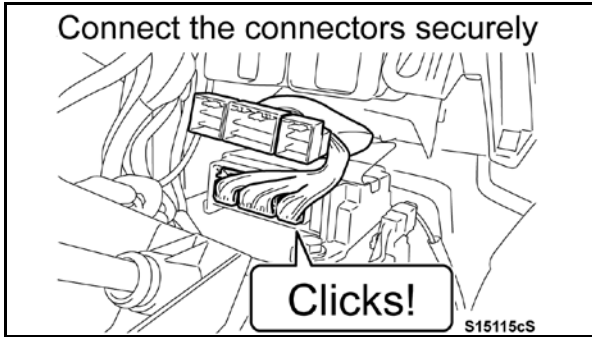
Note: All vehicles will receive a Sub Harness. If the Sub Harness was previously installed, go to step 12



11. PREPARE THE SUB HARNESS

- a) To prevent noise, secure the 3 female connectors together with vinyl tape.

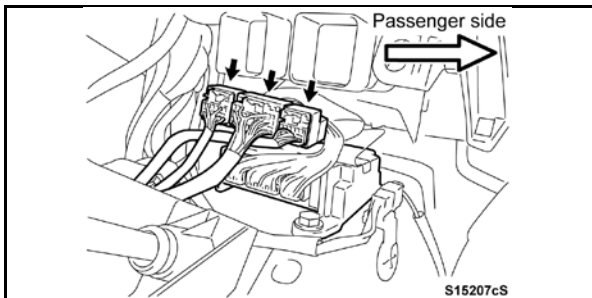
STOP To prevent the tape from interfering with the connectors, **DO NOT** wrap the tape around the front portion of the connectors.



12. CONNECT THE SUB HARNESS

- a) Connect the 3 **NEW** connectors to the airbag sensor.

Note: If sub harness was previously installed skip step b).

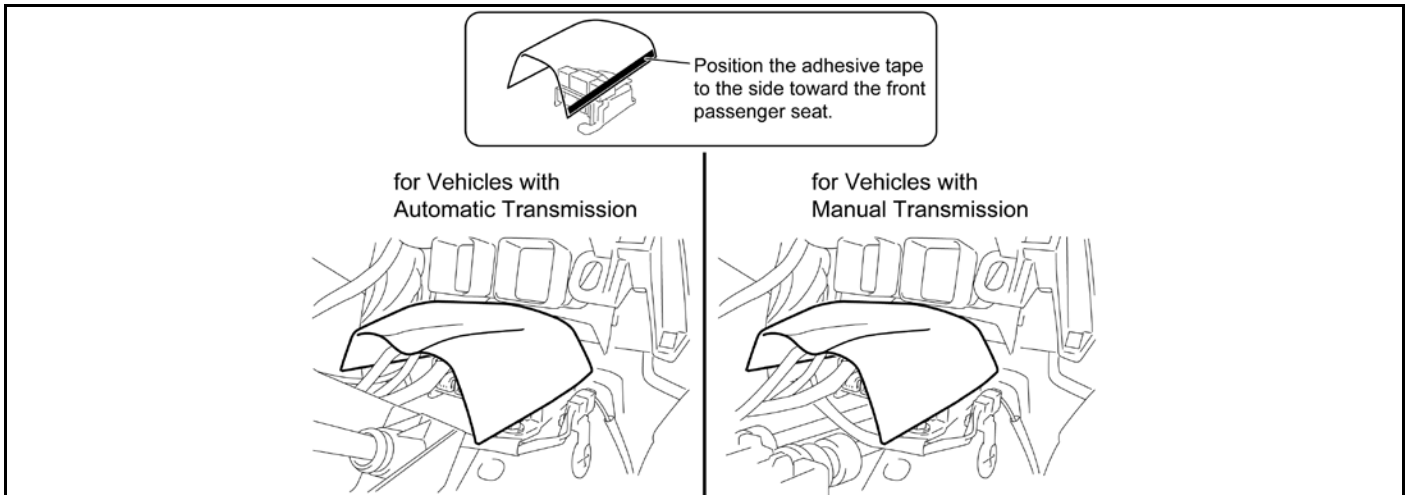


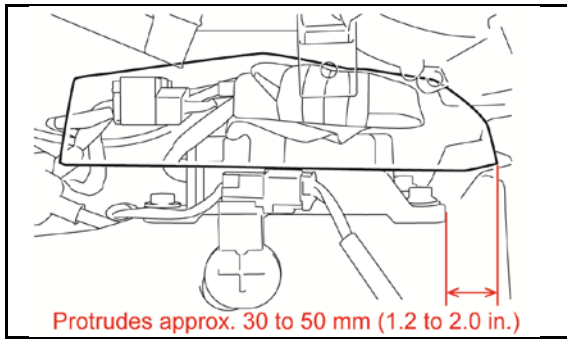
- b) Connect the 3 vehicle-side connectors to the **NEW** sub harness.

13. INSTALL THE WATER GUARD SHEET

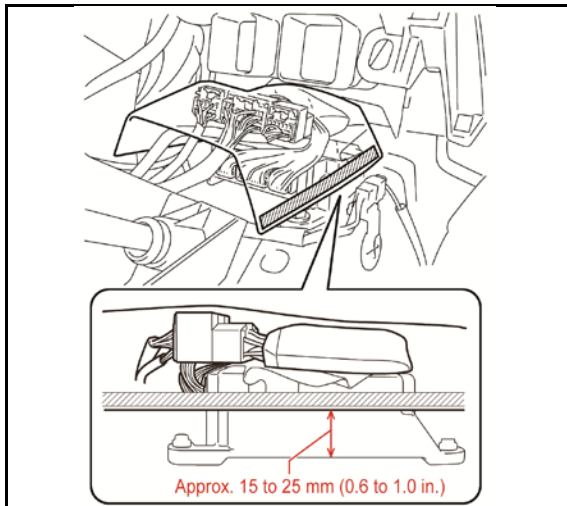
Note: If Sub Harness was previously installed, reuse the original water guard and use 2 new Cable Ties

- a) Position the water guard sheet over the airbag sensor and sub harness.





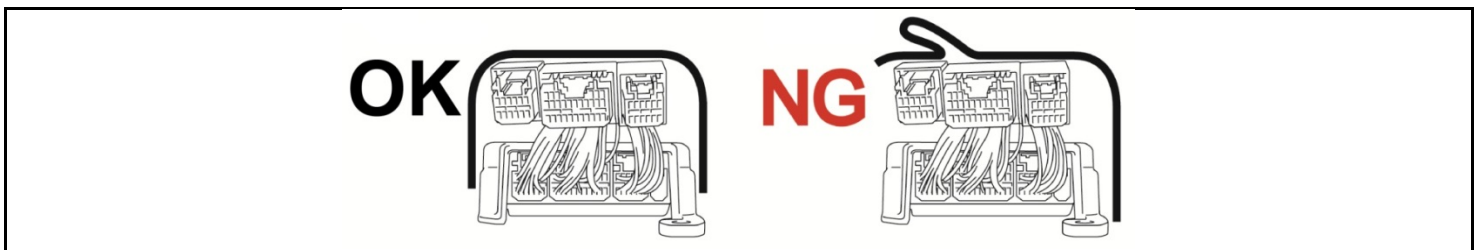
- b) Position the sheet so that the edge protrudes 1.2 to 2.0 in. (30 to 50 mm) past the back side of the airbag sensor.



- c) Adhere the tape on the sheet to the right side of the airbag sensor approximately 0.6 to 1.0 in. (15 to 25 mm) above the bottom end of the sensor.

NOTE: If the water guard sheet is being reused and the tape is no longer tacky, place a piece of double sided tape over the original tape. This will hold the guard in place until the cable ties are installed.

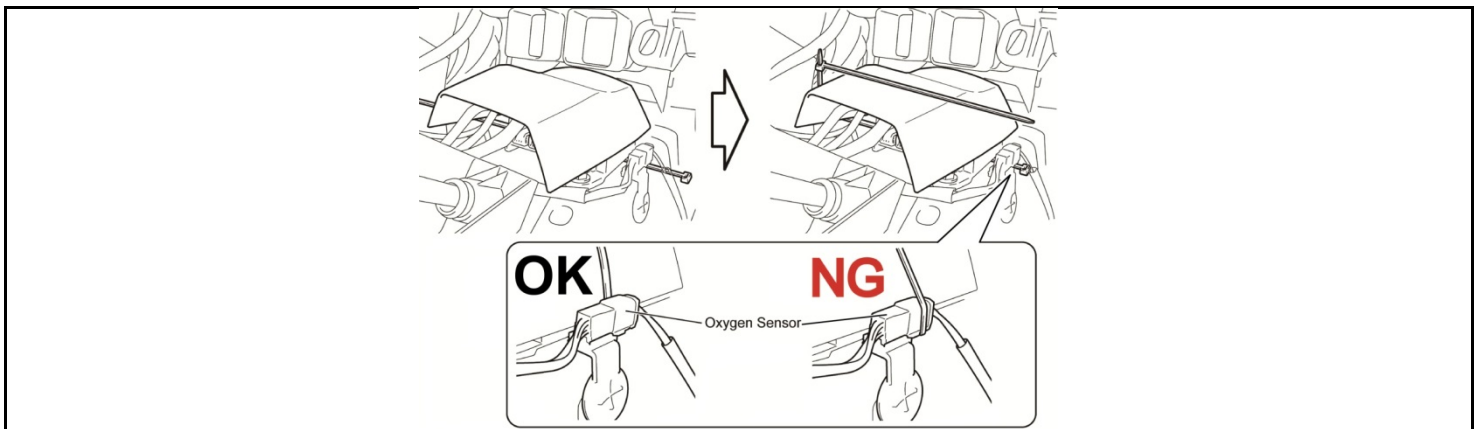
- d) Confirm the sheet has been positioned correctly.



- e) Pass a cable tie through the space under the airbag sensor, then connect another cable tie.

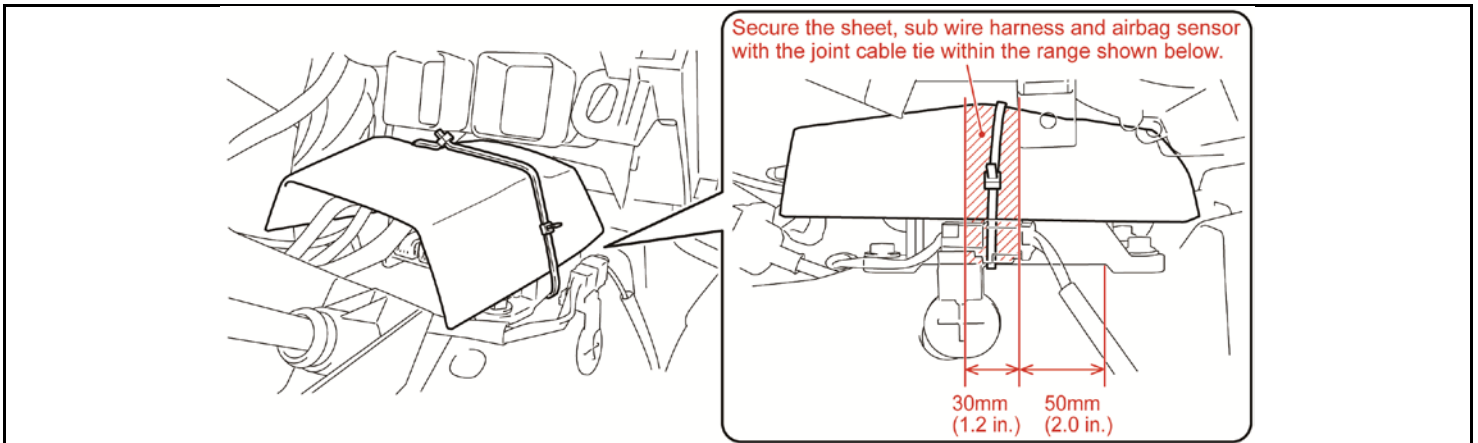
NOTE:

- Only 2 cable ties are needed for the repair, 2 extra ties are also provided as supplements.
- If it is difficult to pass the cable underneath the airbag sensor, loosen the 3 bolts that fasten the sensor. Torque: 13ft. lbf (17.5N·m)

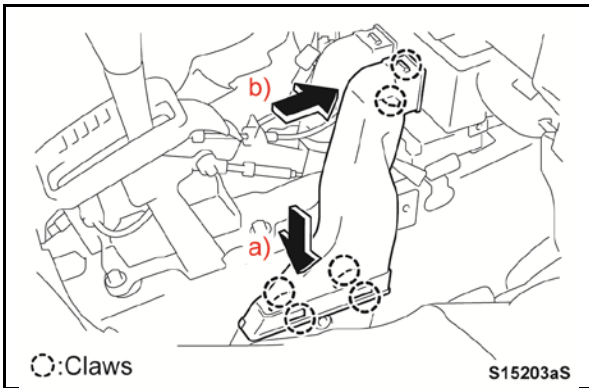


- f) Join the cable ties and secure the sub harness, water guard, and airbag sensor together.

g) Cut any excess length from the cable tie.

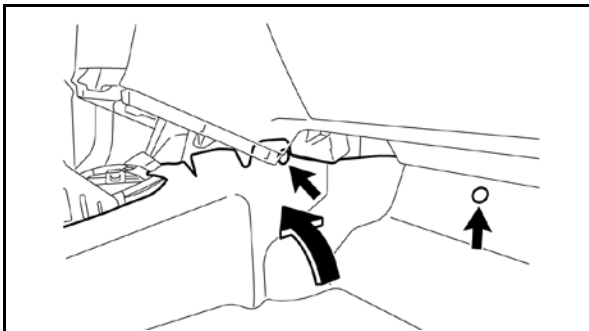


- The water guard sheet is critical to prevent water from the air conditioner from dripping on the airbag sensor, confirm it is positioned and adhered correctly.
- **DO NOT** bind the oxygen sensor harness/connector with the cable ties.
- If the cable tie or sheet is affixed incorrectly, the sub harness may not be fixed properly.



14. REINSTALL AIR DUCT REAR No. 3

- Engage the 4 claws on the lower portion of the duct.
- Engage the 2 claws on the upper portion of the duct.

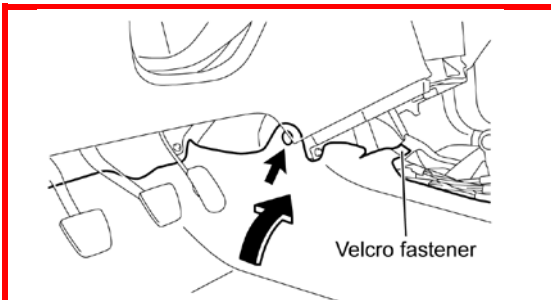


15. REINSTALL THE FLOOR CARPET RH

- Reposition the carpet and engage the 2 clips



Confirm the floor carpet is secure and the clip is not damaged. Failure to secure the carpet could result in pedal interference.

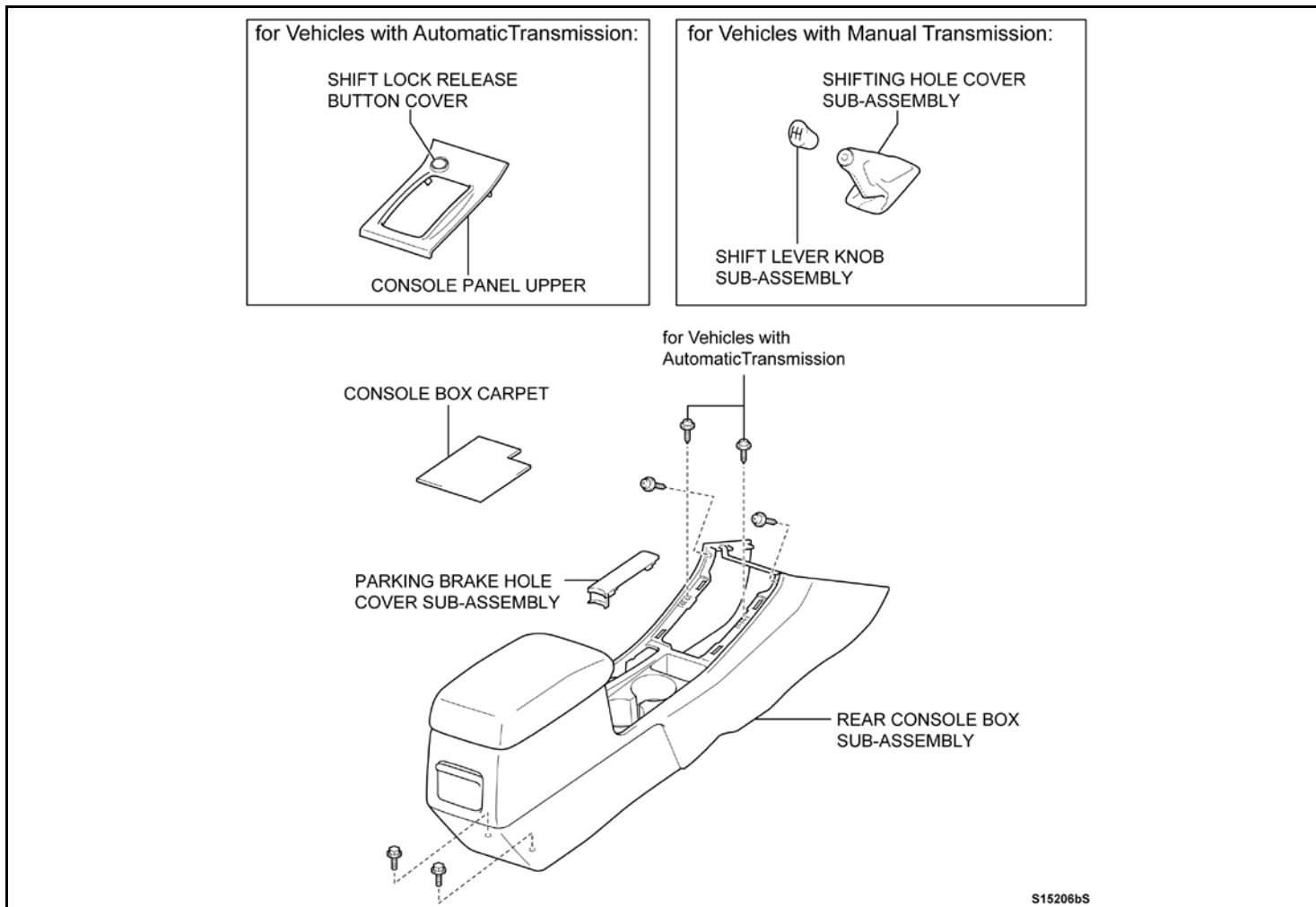


16. REINSTALL THE FLOOR CARPET LH

- Reposition the carpet and engage the clip.
- Fasten the Velcro fastener.

17. PERFORM THE FOLLOWING

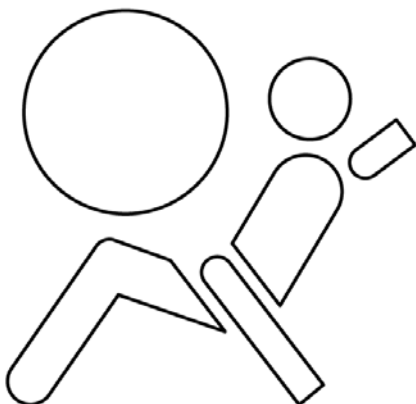
- a) Install the console box and install the screws.
- b) Connect the auxiliary power outlet harness(s).
- c) Install the console box carpet.
- d) Install the console panel upper (**auto trans only**).
- e) Install the shift lever knob cover sub-assembly (**manual trans only**).
- f) Install the shifting hole cover sub-assembly (**manual trans only**).
- g) Install the parking brake hole cover sub-assembly.
- h) Install the shift lock release button cover (**auto trans only**).



18. RECONNECT THE NEGATIVE BATTERY TERMINAL

19. CHECK THE AIRBAG WARNING INDICATOR

- a) Check that the warning indicator illuminates when the ignition is switched on.
- b) Confirm that the warning light will go off after about 6 seconds have elapsed after IG on.



- After the 6 second illumination of the warning indicator, if the indicator goes off then back on or remains on, check for DTCs and confirm the sub harness was installed correctly.
- Consult with the customer to determine if they would like to diagnose/repair any remaining concerns.

20. RESTORE VEHICLE SETTINGS

- a) Restore any memory settings.
- b) Return the seats to their original positions.

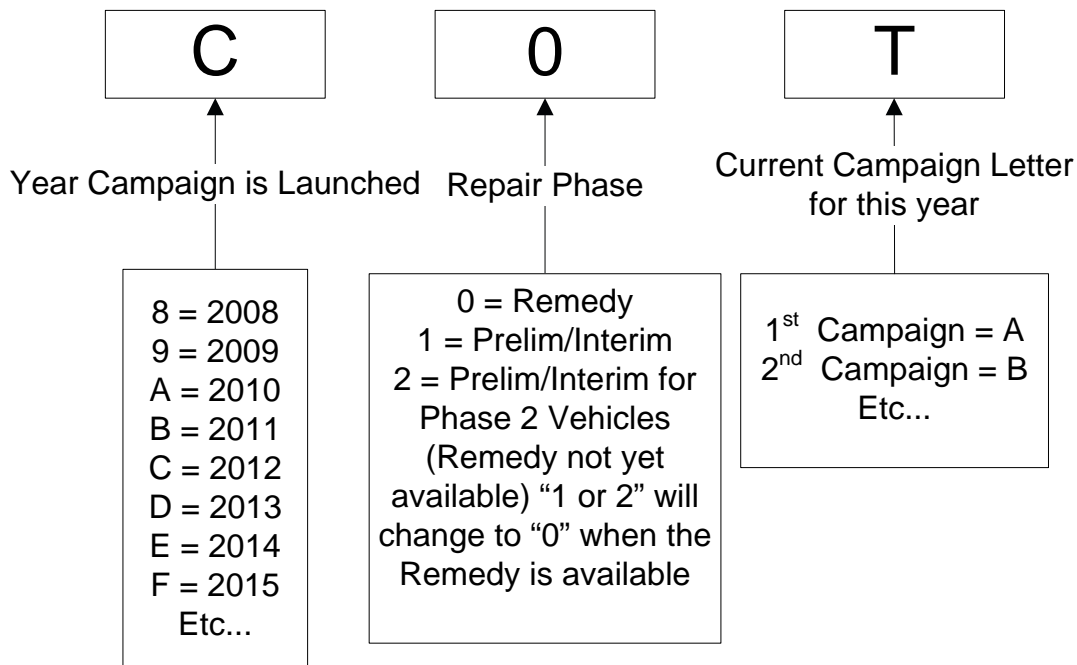
◀ VERIFY REPAIR QUALITY ▶

- Confirm any DTCs prior to beginning this repair
- Read all precautions as outlined on TIS before servicing the SRS system
- Confirm **ALL** harness connectors are connected securely
- Confirm the water guard sheet is secured and positioned correctly
- Confirm the sub harness is secured correctly on top of the airbag sensor
- Confirm there are no DTCs when the repair is complete

If you have any questions regarding this update, please contact your area representative.

VII. APPENDIX

A. CAMPAIGN DESIGNATION DECODER



B. CAMPAIGN PARTS DISPOSAL

As required by Federal Regulations, please make sure all campaign parts (original parts) removed from the vehicle are disposed of in a manner in which they will not be reused, ***unless requested for parts recovery return.***