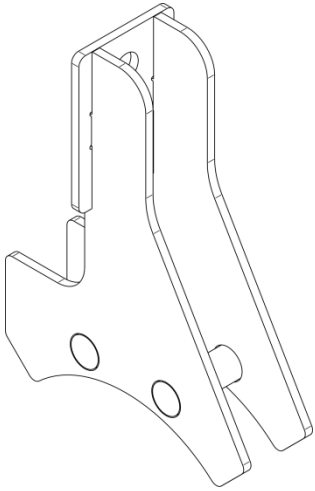
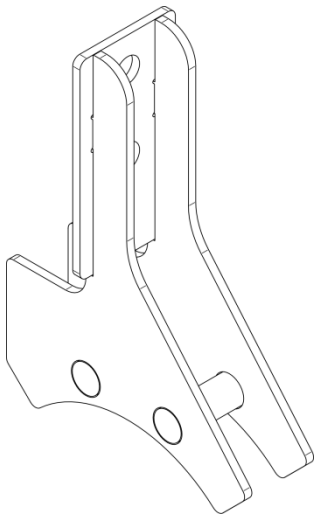
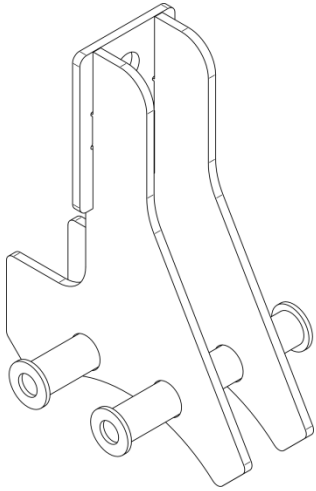
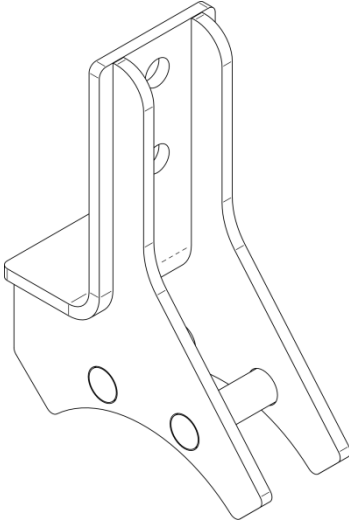


## Volume Mount Replacement Instructions

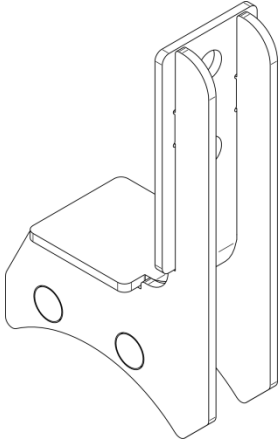
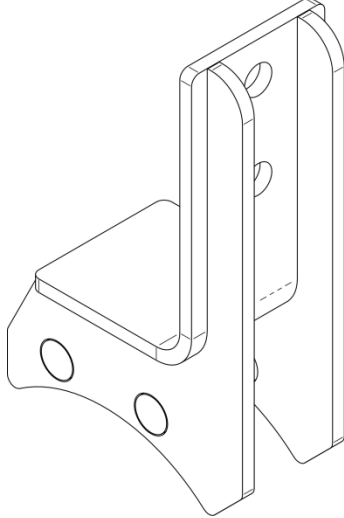
### Component Identification:

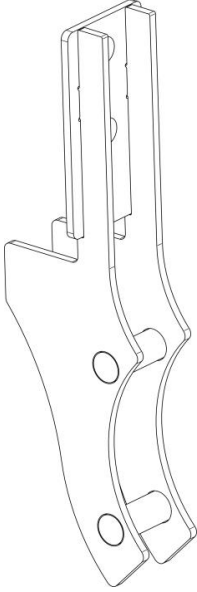
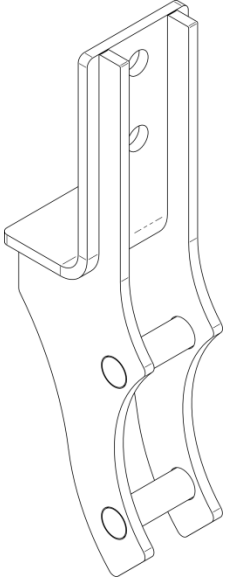
Use the following tables to identify which replacement bracket is required.

<b>Existing Brackets</b>	 10830-002	 10830-003	 10830-010*
<b>Replacement Bracket</b>	 10830-013		

\*If suspension system is equipped with 10830-010 volume mount brakes and dual band clamps, please contact LiquidSpring for replacement band clamp.



Existing Bracket	Replacement Bracket
 <p data-bbox="423 898 565 926">10830-005</p>	 <p data-bbox="1057 953 1198 980">10830-014</p>

Existing Bracket	Replacement Bracket
 <p data-bbox="423 1738 565 1766">10830-012</p>	 <p data-bbox="1057 1717 1198 1745">10830-015</p>

The information contained in this document is the sole property of LiquidSpring LLC. Any review, retransmission, dissemination or other use of, or taking of any action in reliance upon, this information by persons or entities other than the intended recipient(s) is prohibited. Any reproduction in part or as a whole without the written permission of LiquidSpring LLC is prohibited.

D11075  
Rev --



## Procedure:

Before performing any work:

1. Read and understand all instructions and procedures.
2. Read and observe all Warning and Caution hazard alert messages in this publication. They provide information that can help prevent serious personal injury, damage to components, or both.
3. Follow your company's maintenance and service, installation, and diagnostics guidelines.
4. Use special tools when required to help avoid serious personal injury and damage to components.

Throughout these instructions, important product information is preceded by the terms "NOTE", "IMPORTANT", "CAUTION", and "WARNING". These terms are defined as follows:

**NOTE:** Includes additional information to enable accurate and easy performance of procedures.

**IMPORTANT:** Includes additional information that if not followed could lead to hindered product performance and/or product failure.

**CAUTION:** A caution indicates procedures that must be followed exactly. Damage to equipment or suspension components and personal injury can occur if the procedure is not followed.

**WARNING:** A warning indicates procedures that must be followed

**exactly. Serious personal injury can occur if the procedure is not followed.**

LiquidSpring LLC reserves the right to modify the suspension and/or procedures and to change specifications at any time without notice and without incurring obligation.

## Instructions

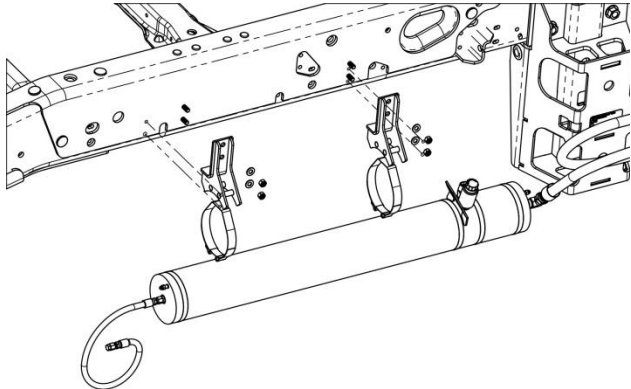
Replacement of the volume tank mounts does not require the suspension to be de-pressurized or any hydraulics to be disconnected.

**Note:** If the vehicle is equipped with a mid-ship fuel tank, additional clearance to tank mount fasteners may be achieved by temporarily lowering the mid-ship fuel tank.

1. Raise vehicle to gain access to the volumes, located under the frame, ahead of the rear suspension.
2. Support the driver side volume with jack stands or floor jack(s).

**WARNING: Each Volume Assembly is heavy (in excess of 100 lbs). Properly support the Volume Assembly.**

3. Loosen and remove the T-Bolt Clamps from around the tank. Retain the clamps for reuse.
4. Lower the Volume Assembly to allow removal of the mounts.
5. Remove the Volume Mounts. Retain fasteners for reuse.
6. Identify the correct replacement mount. The replacement mounts should have the same mounting orientation as the parts removed.



**Figure 1. Secondary Volume Assembly mounting.**

7. Install the replacement mounts.  
**Torque the 3/8" Lock Nuts to 35-43 ft-lbs.**
8. Raise the Volume Assembly into the replacement mounts.
9. Reinstall the T-Bolt Clamp by placing them in the mounts, on top of the two pegs.
10. Secure both clamps around the Volume Assembly and **torque the T-Bolt nut to 240 in-lbs. Do not over torque.**
11. Repeat with the passenger side.

## Contact Information

The LiquidSpring contact information is:

Phone: 765-747-7816 ext. 109

8:00 a.m. – 5:00 p.m.

Email: [warranty@liquidspring.com](mailto:warranty@liquidspring.com)