

SAFETY RECALL 15438
INSTRUCTIONS FOR SOUTH FLORIDA PARTS ALLOCATION

PART INFORMATION

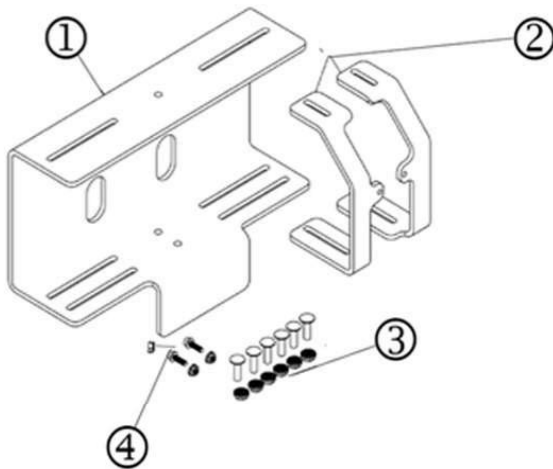
Parts required to complete the service procedure described below are to be obtained from General Motors Customer Care and Aftersales (GMCCA). Order as a Customer Special Order (CSO) with the Vehicle Identification Number (VIN) in the note field.

Part Number	Description	Quantity/Vehicle
23341975	INFLATOR ASM, I/P MDL AIR BAG	1

Important: Do not discard or destroy the box containing the new passenger air bag inflator, it will be needed to return the used inflator. The box contains special instructions for the packaging and shipment of the used inflator. The instructions must be followed without exception. **DO NOT DEPLOY ANY INFLATOR.**

SPECIAL TOOLS

Dealers are required to use the air bag mounting bracket, shown below, to replace the front passenger air bag inflator module. These brackets were previously provided to dealers by Bosch Automotive Service Solutions for product safety recalls 13112 and 14491. The Bosch tool number is EL-51377. If your dealership does not have the air bag mounting bracket, do not attempt to perform this service procedure and immediately contact your District Manager - Aftersales for assistance. Attempting to replace the front passenger air bag inflator module without using the bracket poses a safety risk for the technician and anyone else in the area.



4006668

(1) Mounting Bracket (2) Support Bars (3) Support Bar Hardware (4) Air bag Mounting Hardware.

SERVICE PROCEDURE

Note: Dealers are required to use the air bag mounting bracket to perform the front passenger air bag inflator module replacement procedure. If the air bag mounting bracket is not available, do not proceed with this repair.

Warning: Do not deploy or discard the air bag inflator module.

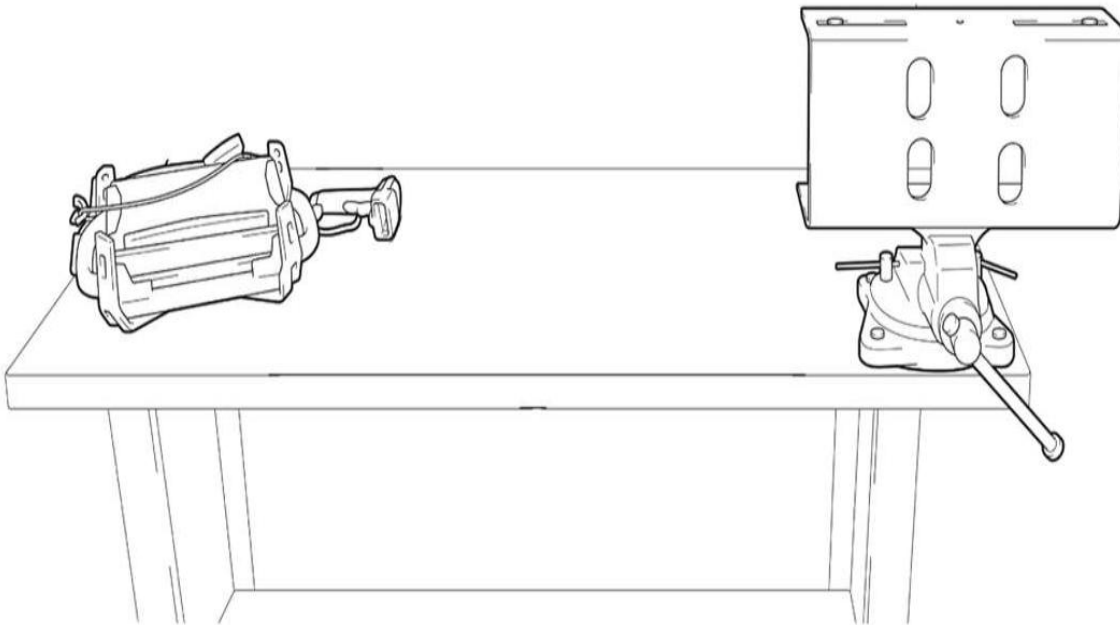
Remove the instrument panel passenger air bag assembly. Refer to *Air bag Instrument Panel Module Replacement* in SI.

SAFETY PRECAUTIONS

Warning: If an air bag system is not handled using proper procedures and methods, it may be activated accidentally during work resulting in a life-threatening serious accident. If the service procedure is NOT performed correctly, the system may fail to activate when needed. Be sure to perform the proper work safely and according to the instructions in this service procedure.

1. Eliminate Static Electricity. Before start of work, touch a metallic portion of the vehicle with a bare hand to discharge static electricity charged on your body.
2. DO NOT Measure Resistance. DO NOT measure resistance of air bag components. Measuring current of a circuit tester may cause accidental activation.
3. Handle The Air Bag Properly. If an inflator is dropped, replace it with a NEW inflator.
4. DO NOT Allow Foreign Objects Near Air bag. Collect and account for all removed nuts/bolts to prevent them from landing in the air bag assembly. Any foreign objects in the air bag assembly may cause damage or injury if the air bag is activated.
5. Wear protective equipment. Always wear appropriate protective equipment when working on the air bag.

FRONT PASSENGER AIRBAG INFLATOR MODULE REPLACEMENT

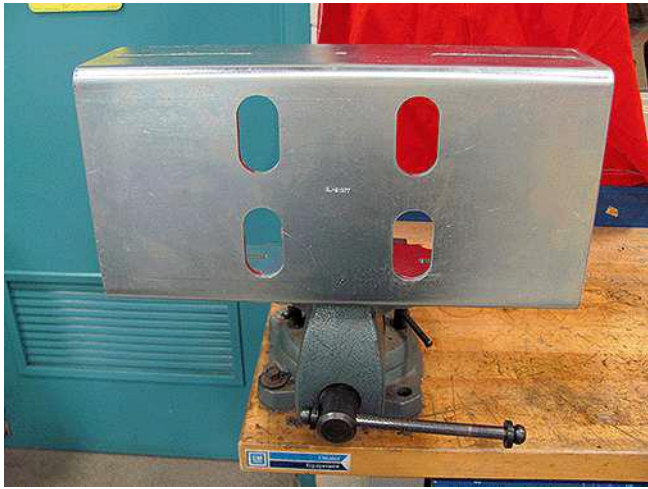


3607819

Danger: To avoid personal injury or death, it is critical to use an air bag module bracket when replacing an inflator module. Carefully read and follow the instructions below:

1. Confirm the bracket assembly is installed securely in the vice.
2. Confirm there are no loose objects or people exposed to the back side of the bracket for safety in the unlikely event of air bag deployment due to improper work procedures. The air bag is NOT being replaced due to an inadvertent deployment concern.
3. Confirm that no objects, tools or people are within 3 feet (1 meter) of the back side of the bracket.

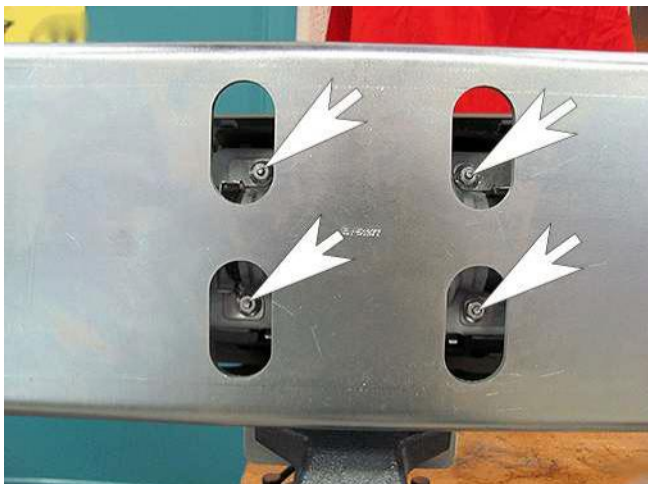
4. Confirm that no objects, tools or people are within 2 feet (0.6 meters) of the sides of the bracket.
5. BEFORE starting work and periodically while working on the air bag module, touch a metallic part of the work bench to discharge static electricity in the body.



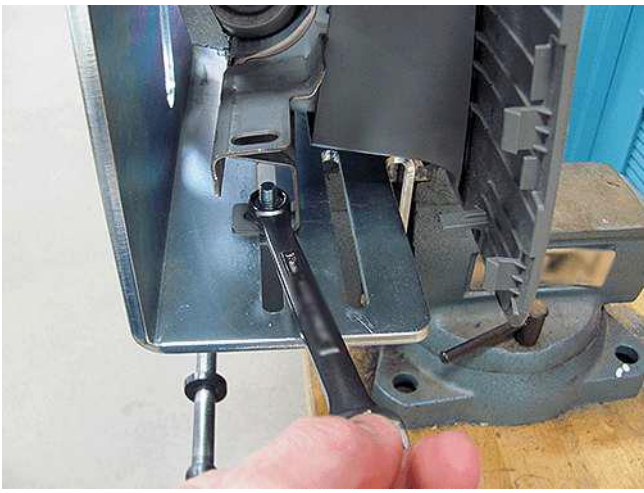
1. Mount the air bag module bracket securely in a vice.



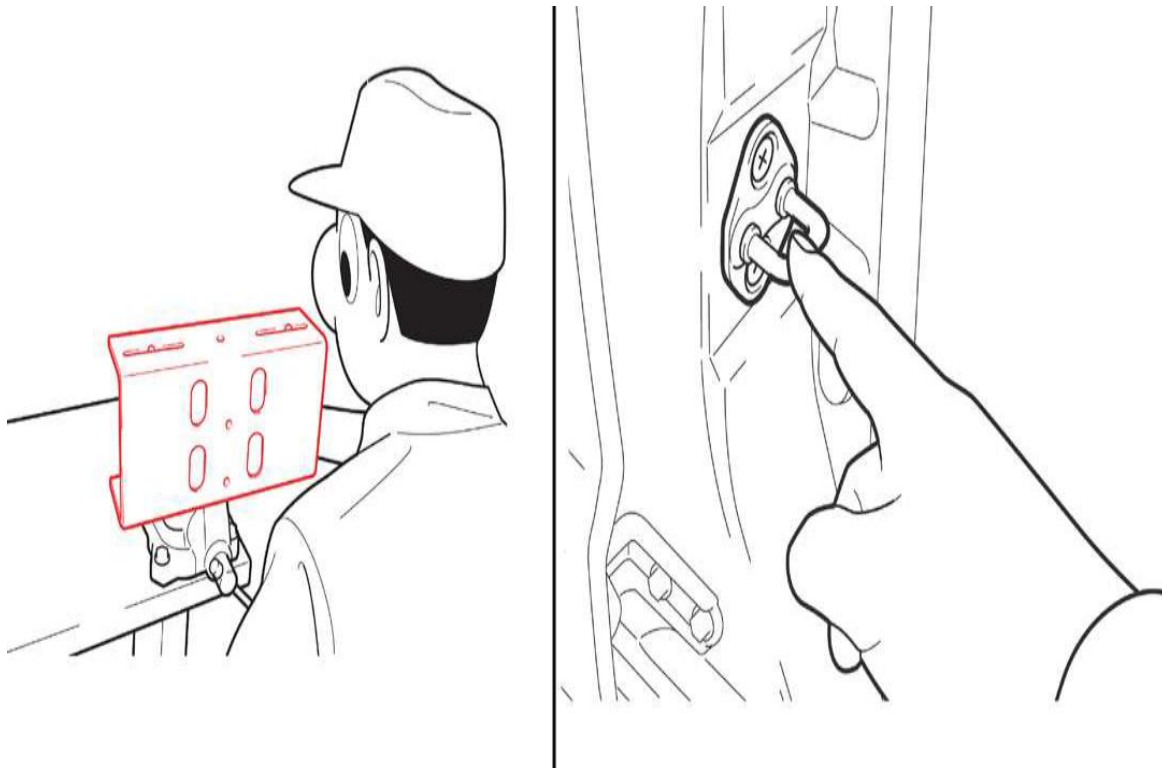
2. Using the hardware kit supplied with the module bracket, loosely mount the airbag assembly to the bracket using two nuts and bolts.



3. Position the air bag so that all four stopper plate nuts can be removed through the access holes.

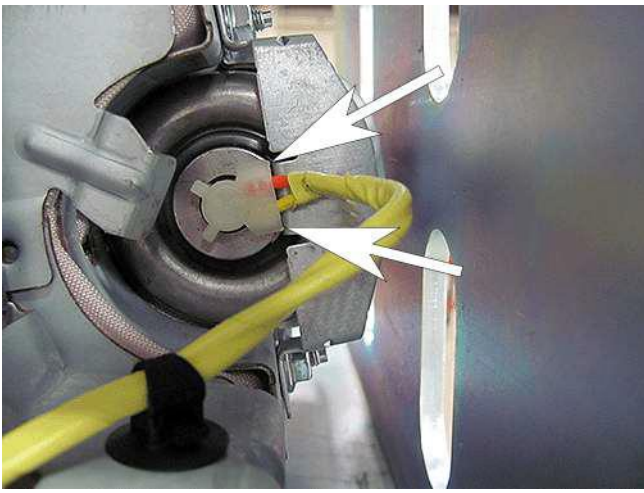


4. Tighten the two fasteners that attach the airbag to the module bracket.
5. Confirm the following steps have been completed BEFORE proceeding to the next step:
 - The mounting bracket is secure in the vise.
 - The air bag module is secured to the bracket.



3607909

Danger: To avoid personal injury, **ALWAYS** keep as much of your body as possible in front of the bracket when working on the air bag assembly. Remember to periodically touch a metallic part of the vehicle or work bench to discharge static electricity in the body. **DO NOT** use power tools when performing the inflator removal/reinstallation steps.



6. Note the orientation between the inflator and the stopper plate.

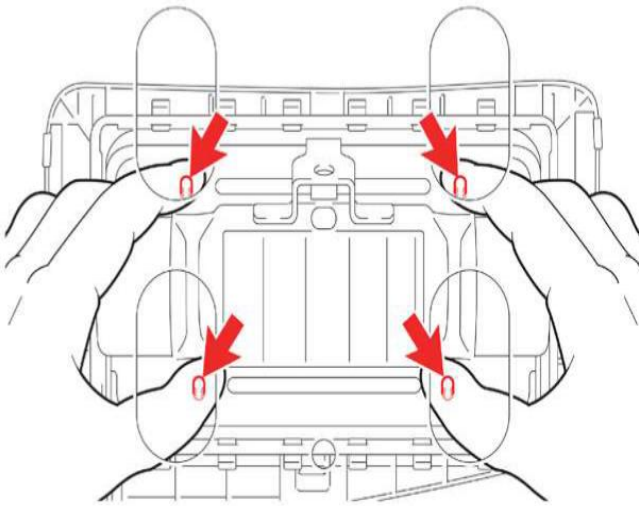


7. Use the access holes in the bracket to loosen and remove the four self-locking nuts. Discard the nuts, they will not be reused.

8. Remove the two stopper plates.



9. Disengage the wire harness locator from the housing.



3607857

10. Gently push in the 4 studs to loosen the inflator for removal.



11. Remove the inflator from the housing, slide the inflator away from the harness side.



12. Put a mark on the removed inflator and store it in the provided replacement part box. Refer to the packaging instructions that were included with the new inflator module kit.



13. Record the serial number from the service inflator kit on the repair order.



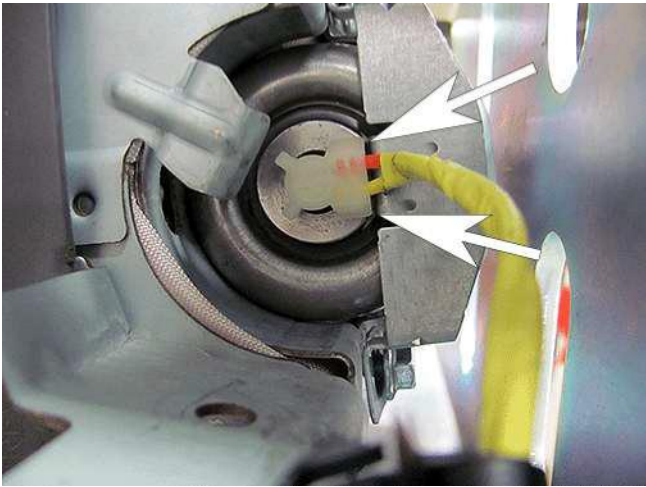
14. Carefully slide the new inflator into the air bag assembly. Ensure the inflator is installed with the harness end first.



15. Confirm the identification of the stopper and the position determining plate. **THEY ARE DIFFERENT.** Refer to the illustration: (1) Stopper Plate (2) Position Determining Plate.

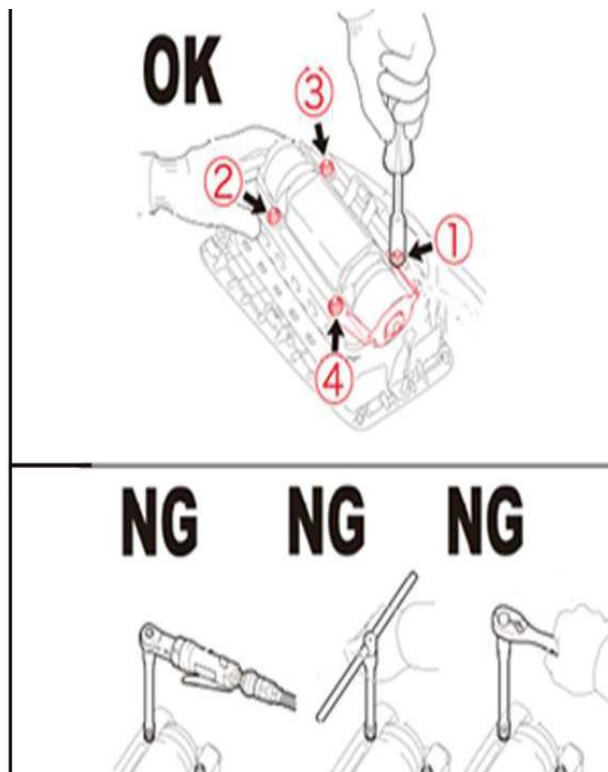
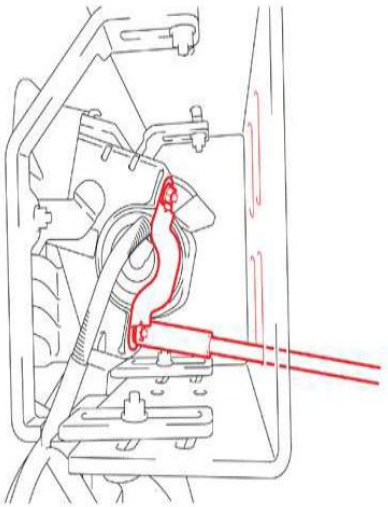
16. The Position determining Plate goes on the harness end, the Stopper Plate goes on the opposite end.

17. Loosely install the two plates using the 4 new nuts supplied with the inflator kit, **DO NOT TIGHTEN.**



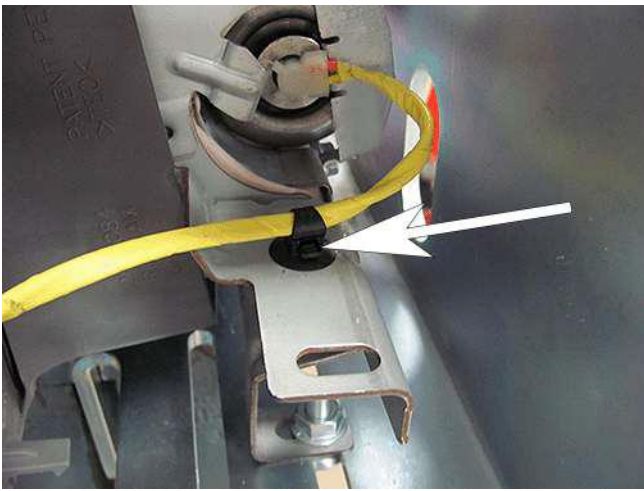
18. Rotate the inflator until the harness connector aligns with the Position Orientating Plate.

Warning: *DO NOT* pinch the harness between the inflator and the Position Orientating Plate.



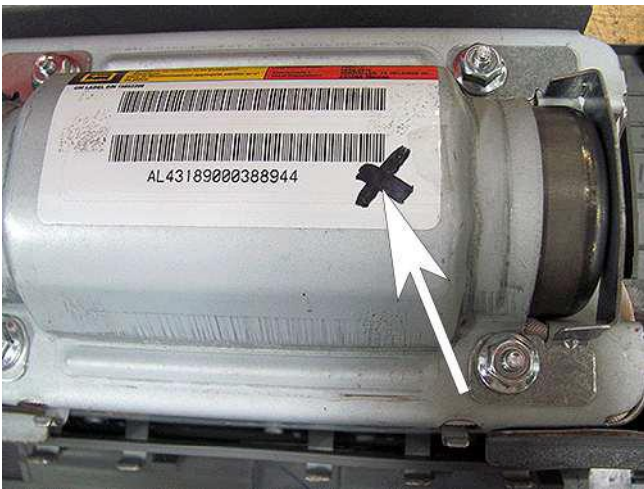
3610416

19. Tighten four (4) *NEW* plate nuts evenly in several increments in the order shown in the illustration using a 10 mm socket driver while pushing the inflator. You will encounter some resistance during tightening because these nuts are self-locking nuts. **Torque Specification: 3.9 Nm (35 in-lb)**



20. Install the wire harness locator to the housing.

21. Remove the air bag assembly from the bracket by removing the two bolts and the air bag assembly.



22. Mark the air bag module with an X at the right side of the ID tag.

23. Reinstall the instrument panel passenger air bag assembly. Refer to *Air bag Instrument Panel Module Replacement* in SI.

24. The box that the new passenger air bag inflator was shipped in must be utilized to return the used inflator. The box contains special instructions for the packaging and shipment of the used inflator. The instructions must be followed without exception. If the original box is not available or you have questions about the special shipping instructions, please contact your District Service Manager- Aftersales for assistance. **DO NOT DEPLOY ANY INFLATOR.**

WARRANTY TRANSACTION INFORMATION

Labor Code	Description	Labor Time	Net Item
9101563	Replace Front Passenger Air Bag Inflator Module Add: SLT Trim Level – GMC Only	0.9* 0.1	**

* Includes 0.2 hour administrative allowance for return of the used inflator (document preparation and packaging).

** The amount identified in “Net Item” should represent the sum total of the vehicle detailing expense (not to exceed \$125.00) plus the cost of fuel (gasoline or diesel) to fill the vehicle’s fuel tank.