



VT Hackney, Inc.
911 W. Fifth Street P.O. Box 880
Washington, North Carolina 27889, USA
Phone: 252.946.6521
Fax: 252.975.8340
www.vthackney.com

IMPORTANT SAFETY RECALL 15V-790

This notice applies to your vehicle "vin numbers attached"

SAFETY RECALL # 15V-790

DECEMBER 2015

Dear Kidron Customer,

This notice is sent to you in accordance with the requirements of the National Traffic and Motor Vehicle Safety Act.

Kidron has determined that a defect, which relates to motor vehicle safety, exists in certain model year 2015 Refrigerated trailers.

Reason for this recall:

Meritor forwarded a notice that the bolts that hold the disc brake pads to the calipers were not properly torqued at their factory and can possibly loosen and become disengaged.

Risk to motor vehicle safety:

The pads could loosen causing failure of the brakes to engage, increasing the risk of a crash.

Actions you should take:

Immediately contact Gene Newman of VT-Hackney to receive corrective action instructions at 252-975-8399. The corrective action is in accordance with Meritor's Technical bulletin TP_15141 attached to this letter. The repair is expected to take one hour to complete.

Your labor to torque the bolts will be reimbursed.

If you do not own this vehicle:

Our records indicate you are the owner of the vehicle identified on the enclosed card. If you do not own this vehicle, please fill out the **Authorization for Recall Service card** so you will not be contacted again regarding this recall.

If you need assistance:

If you believe that Kidron has failed to perform this repair within a reasonable amount of time, or the existing condition was not remedied without charge, please contact VT Hackney 800-763-0700.

You may also wish to submit a complaint to:
Administrator
National Highway Traffic Safety Administration,
1200 New Jersey Ave. S.E.
Washington, D.C., 20590

Or call the toll-free Vehicle Safety Hot-Line at 1-888-327-4236 (TTY:1-800-424-9152) or go to www.safercar.gov

Lessor Requirements:

Federal regulations require that any vehicle lessor receiving this Recall notice must forward a copy of this notice to the lessee within ten days.

Reimbursement Eligibility:

If you have previously paid for repairs as a result of this defect, you may be entitled to recovery of those expenses. Contact Kidron for details.

We request your prompt attention to the correction of this defect and apologize for any inconvenience this may cause you.

Sincerely,

Gene Newman
Manager, Warranty
Kidron division of VT Hackney, Inc.



Technical Bulletin

Hazard Alert Messages

Read and observe all Warning and Caution hazard alert messages in this publication. They provide information that can help prevent serious personal injury, damage to components, or both.

⚠ WARNING

To prevent serious eye injury, always wear safe eye protection when you perform vehicle maintenance or service.

Park the vehicle on a level surface. Block the wheels to prevent the vehicle from moving. Support the vehicle with safety stands. Do not work under a vehicle supported only by jacks. Jacks can slip and fall over. Serious personal injury and damage to components can result.

⚠ ASBESTOS AND NON-ASBESTOS FIBERS WARNING

Some brake linings contain asbestos fibers, a cancer and lung disease hazard. Some brake linings contain non-asbestos fibers, whose long-term effects to health are unknown. You must use caution when you handle both asbestos and non-asbestos materials.

How to Obtain Additional Maintenance, Service and Product Information

Refer to Maintenance Manual MM-0467, EX+™ Air Disc Brake. To access this publication, visit Literature on Demand at Meritor.com.

How to Obtain Kits

Call Meritor's Commercial Vehicle Aftermarket at 888-725-9355.

Replacement Parts

Brake Model	Kit	Includes
Meritor EX+	KIT225260	6 carrier mounting bolts and washers
Bendix	KIT225261	

Inspecting and Tightening Carrier Mounting Bolts

Certain Trailers Equipped with Air Disc Brakes

Inspecting and Tightening Carrier Mounting Bolts

This technical bulletin provides instructions for inspecting the carrier mounting bolts and tightening the bolts to the correct torque specification. This inspection only applies to certain axles on a limited number of trailers.

Inspection Procedure

1. Wear safe eye protection. Park the trailer on a level surface. Block the wheels to prevent the vehicle from moving.
2. Locate the carrier mounting bolts and check if any of the bolts are missing. Figure 1 and Figure 2.
 - **If any bolts are missing:** Replace the missing bolts. For Meritor EX+ brakes, use KIT225260. For Bendix brakes, use KIT225261.

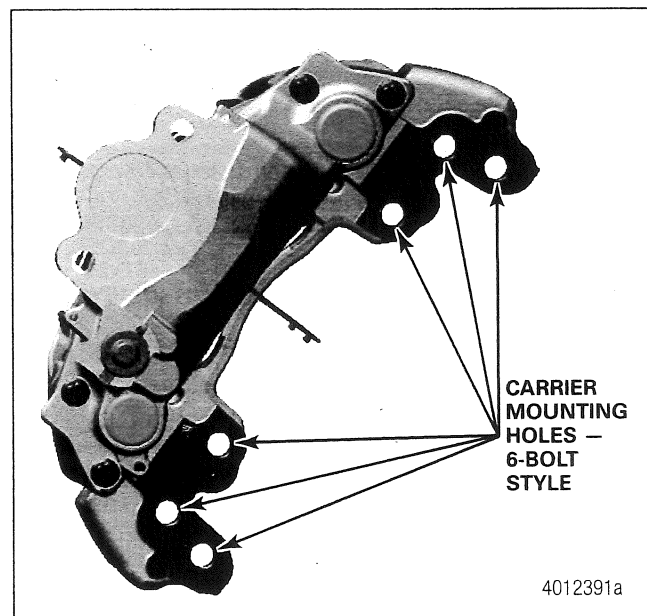


Figure 1

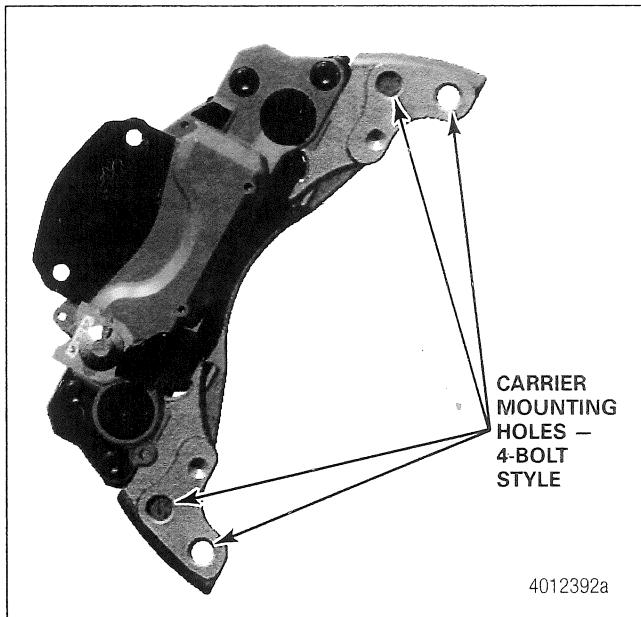




Figure 2

3. Tighten the carrier mounting bolts at all wheel-end positions on the suspension as follows. A minimum 6-inch extension may be required to reach the lower mounting bolts.

- **For Meritor EX+ air disc brakes:** Use a 30 mm-size socket wrench to tighten the carrier mounting bolts to 400 lb-ft (542 N•m). Figure 3. 
- **For Bendix brakes:** Tighten the carrier mounting bolts to 350-400 lb-ft (475-542 N•m). 

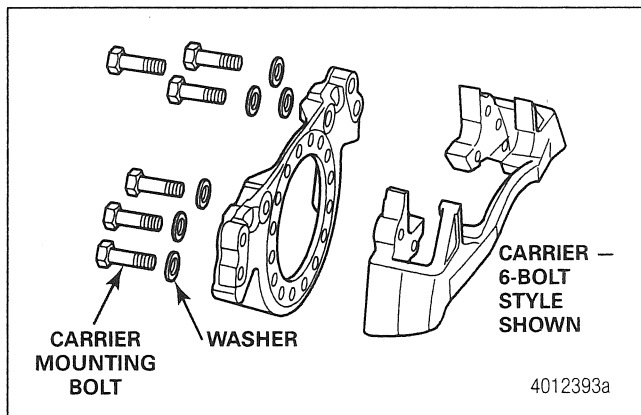


Figure 3

4. When the inspection is complete, contact the Meritor OnTrac™ Customer Call Center via phone at 866-668-7221 or via e-mail at OnTrac@Meritor.com to file a claim.



Meritor Heavy Vehicle Systems, LLC
 2135 West Maple Road
 Troy, MI 48084 USA
 866-OnTrac1 (668-7221)
meritor.com

Information contained in this publication was in effect at the time the publication was approved for printing and is subject to change without notice or liability. Meritor Heavy Vehicle Systems, LLC, reserves the right to revise the information presented or to discontinue the production of parts described at any time.

Copyright 2015
 Meritor, Inc.
 All Rights Reserved

Printed in USA

TP-15141
 Issued 10-15
 (16579)